



US00D334232S

United States Patent [19]
Searle

[11] **Patent Number: Des. 334,232**
[45] **Date of Patent: ** Mar. 23, 1993**

[54] **CEILING FAN**

4,634,345 1/1987 Stanek et al. 416/244 R

[75] **Inventor: Scott Searle, Los Angeles, Calif.**
[73] **Assignee: Emerson Electric Co., St. Louis, Mo.**

Primary Examiner—James M. Gandy
Assistant Examiner—Lisa Lichtenstein
Attorney, Agent, or Firm—Polster, Lieder, Woodruff & Lucchesi

[**] **Term: 14 Years**

[57] **CLAIM**

[21] **Appl. No.: 817,406**

The ornamental design for a ceiling fan, as shown and described.

[22] **Filed: Jan. 6, 1992**

[52] **U.S. Cl. D23/377**

DESCRIPTION

[58] **Field of Search D23/377, 379, 385;
416/5, 244 R; 392/364**

FIG. 1 is a top and front perspective view of a ceiling fan showing my new design;
FIG. 2 is a front elevational view thereof;
FIG. 3 is a rear elevational view thereof;
FIG. 4 is a side elevational view thereof, the opposite side being a mirror image of that shown;
FIG. 5 is a top plan view thereof; and,
FIG. 6 is a bottom plan view thereof.

[56] **References Cited**

U.S. PATENT DOCUMENTS

- D. 312,687 12/1990 Mason et al. D23/377
- D. 314,618 2/1991 Yen D23/377
- D. 315,947 4/1991 Hollbrook D23/377

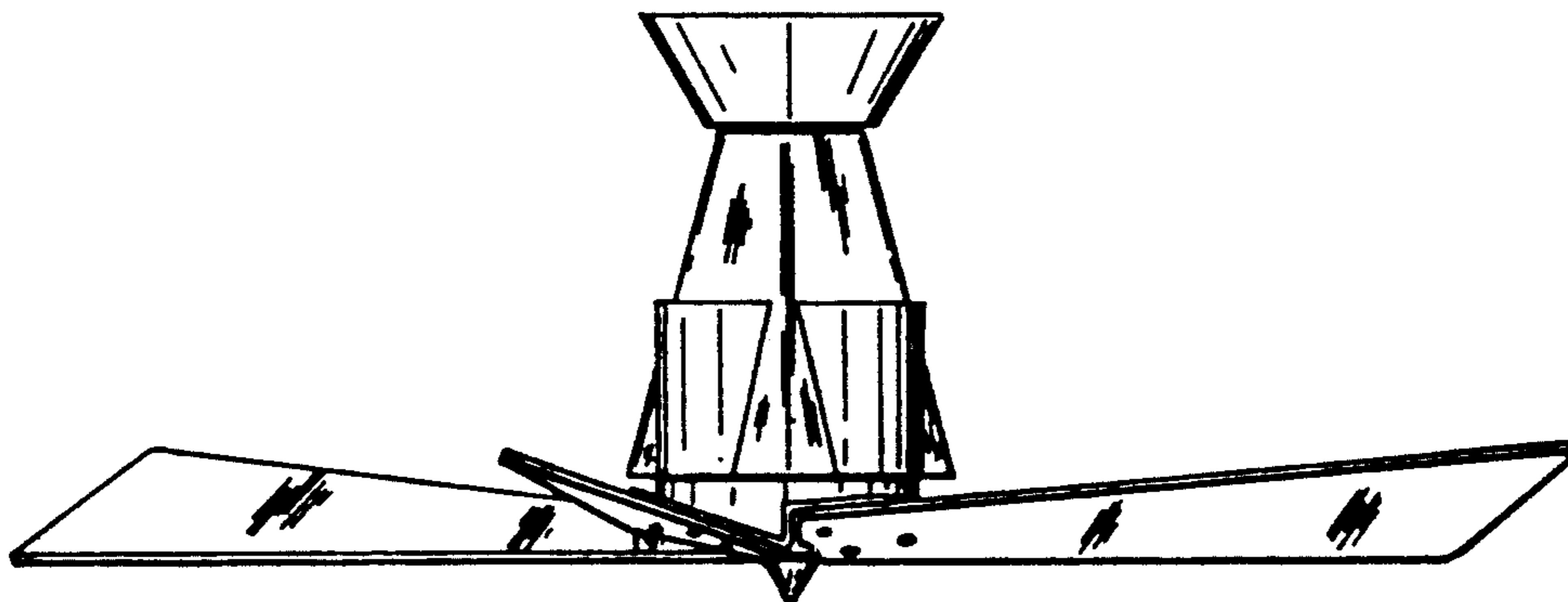


FIG. 1

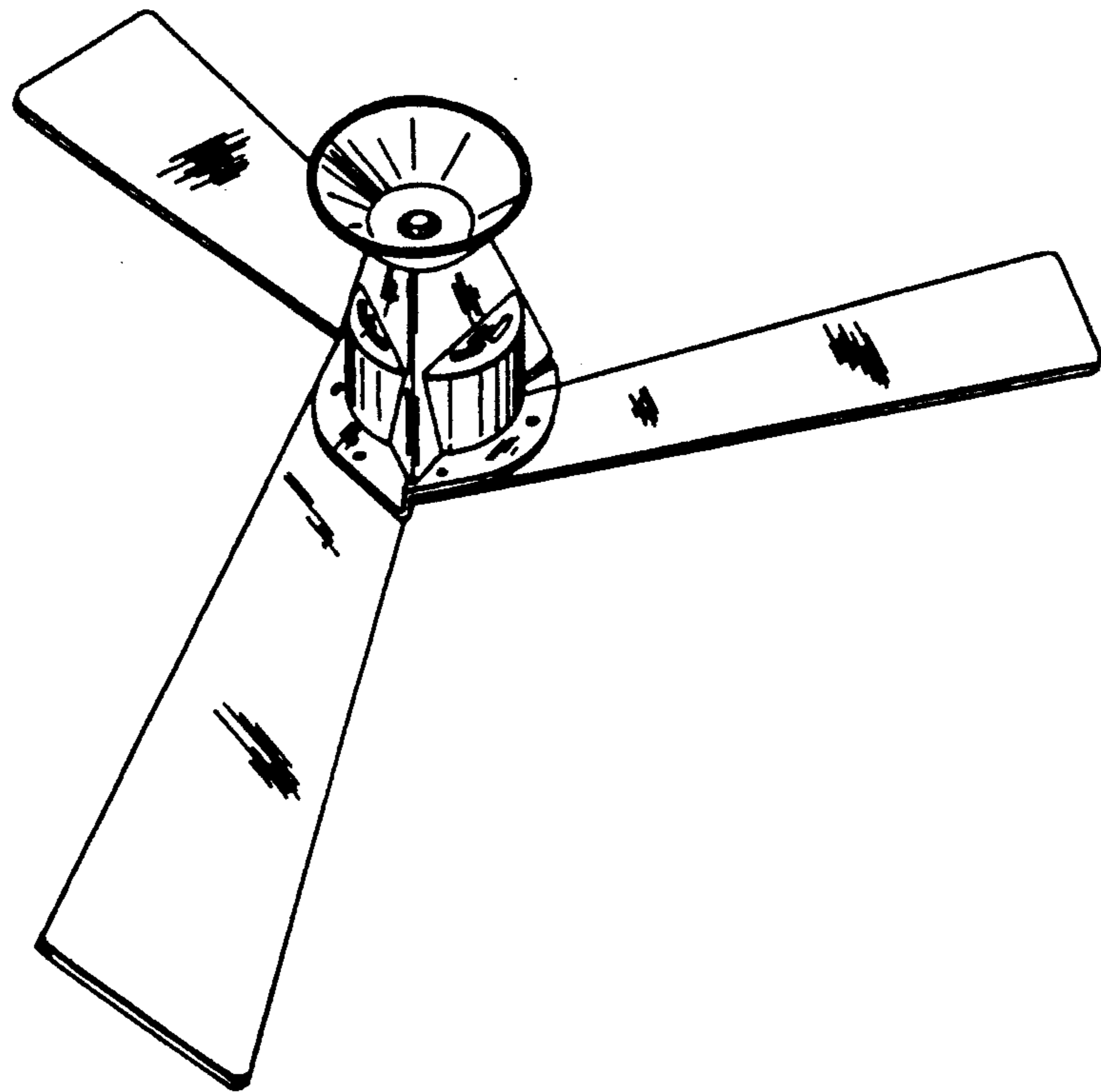


FIG. 2

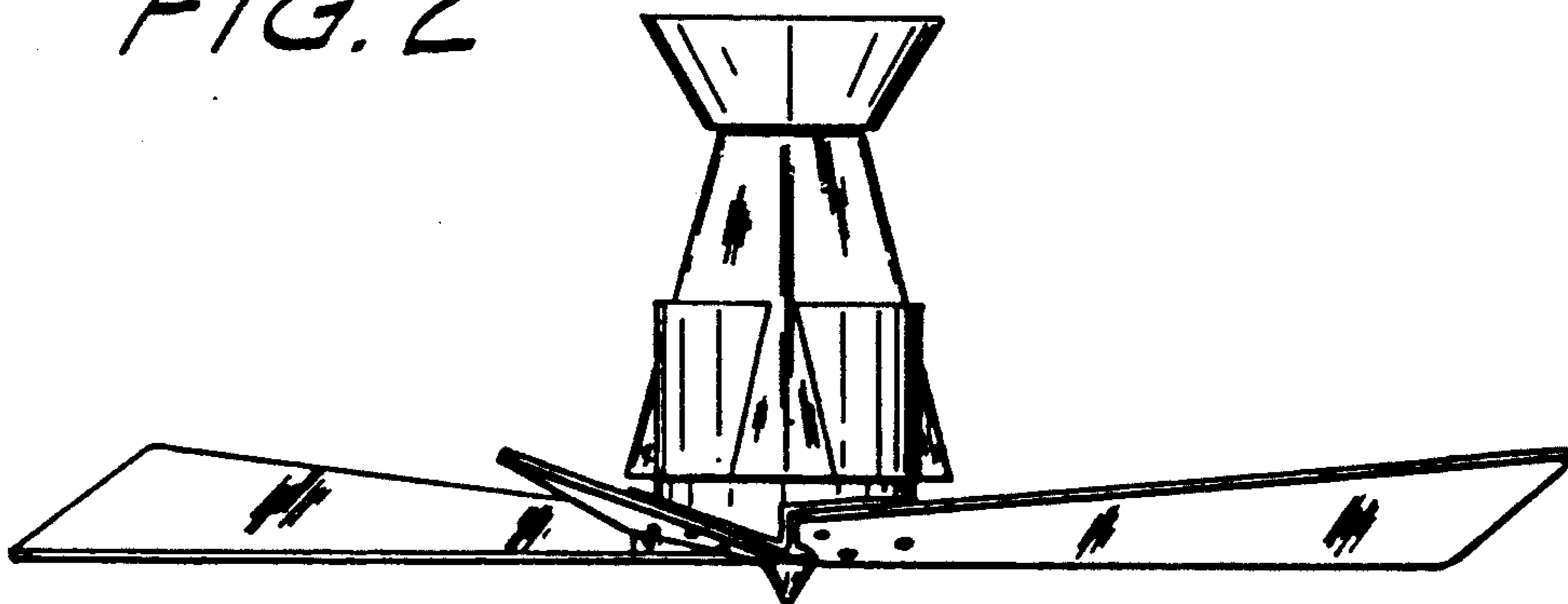


FIG. 3

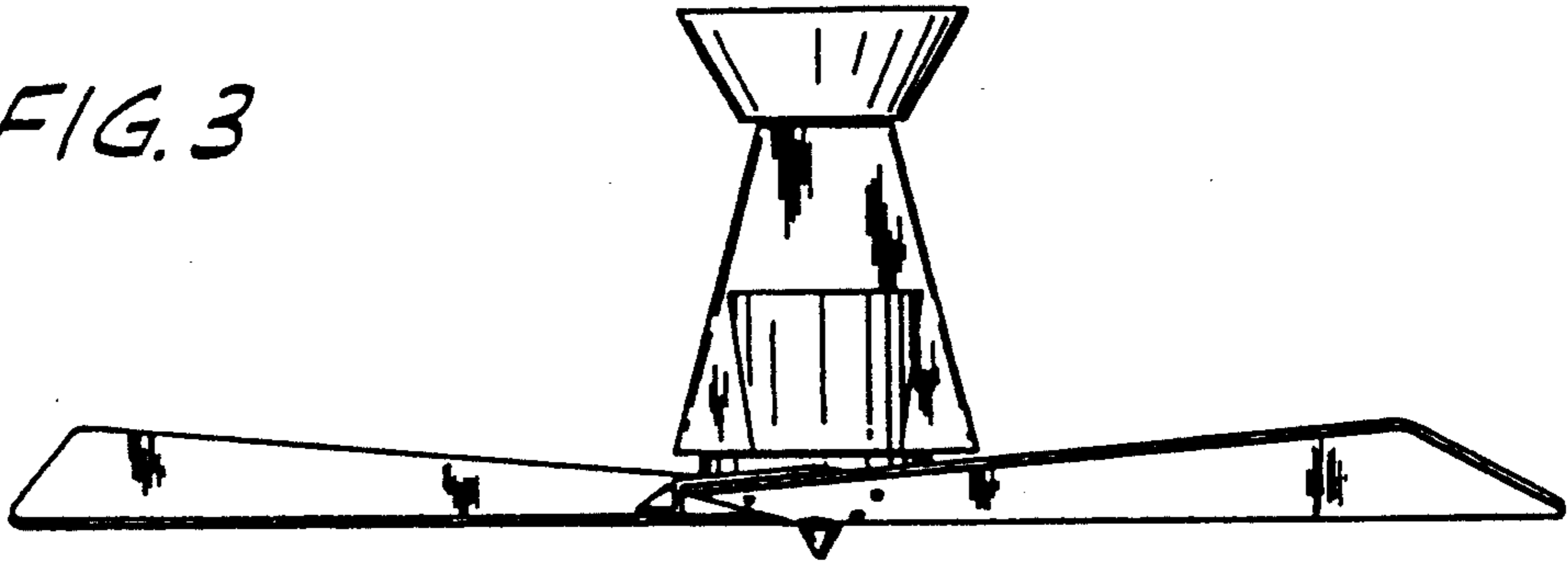


FIG. 4

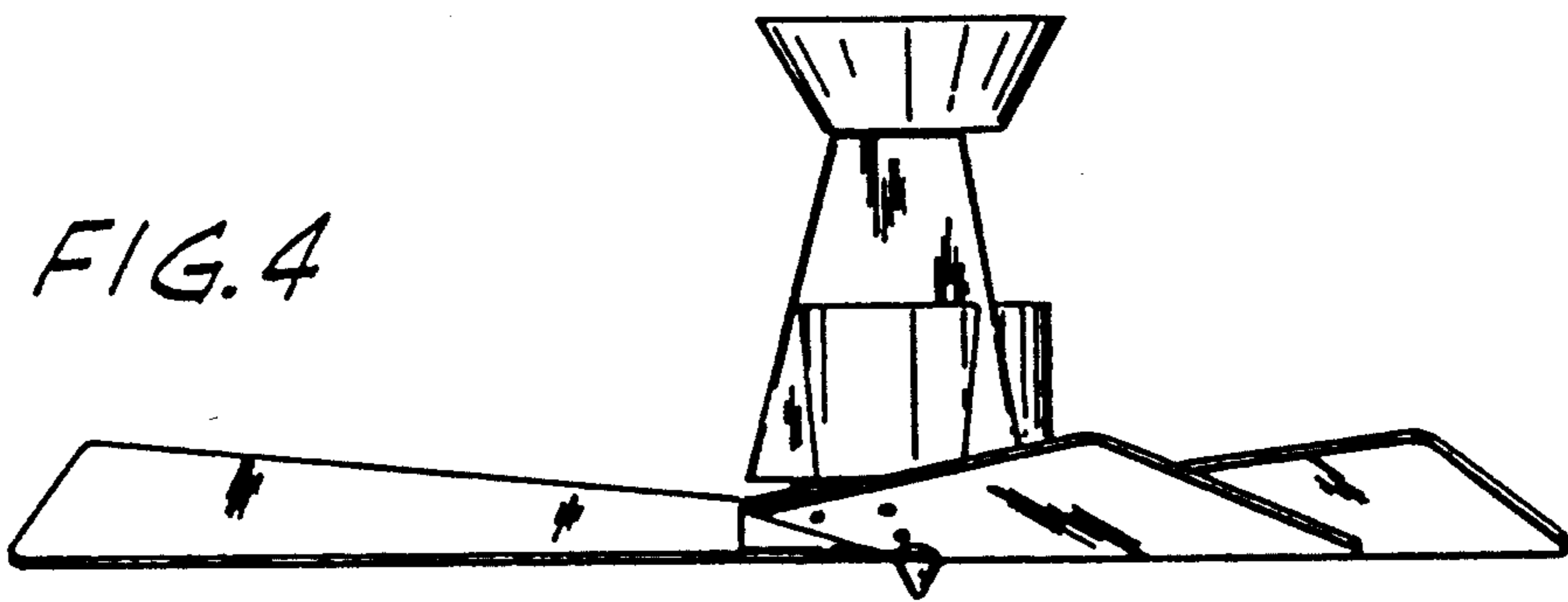


FIG. 5

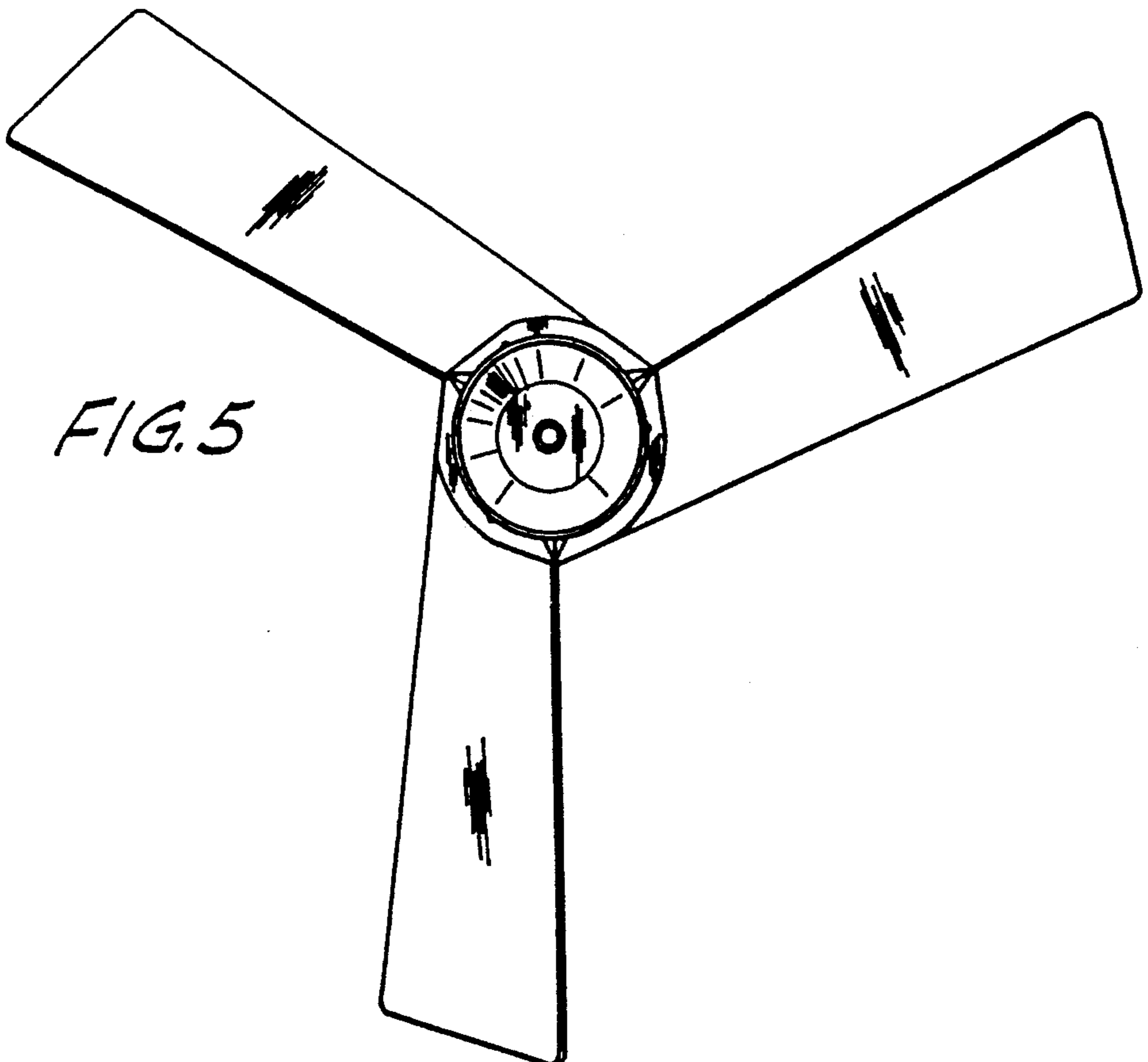


FIG. 6

