



US00D334229S

United States Patent [19]

Hiller

[11] Patent Number: Des. 334,229

[45] Date of Patent: ** Mar. 23, 1993

[54] **SHOWER HEAD**

[76] Inventor: **Joe B. Hiller**, 5329 Waits Ave., Fort Worth, Tex. 76133

[**] Term: **14 Years**

[21] Appl. No.: **786,970**

[22] Filed: **Nov. 4, 1991**

[52] U.S. Cl. **D23/213**

[58] Field of Search **D23/213, 223-229; 4/567-570, 599-603, 596, 615, 675-678; 239/276, 280, 281, 282-283, 288.5, 310, 443-449, 456-460, 525, 550-552, 556-559, 562-565, 567, 581.1, 586-588**

3,018,969	1/1962	Gentry	239/312
3,155,113	11/1964	Germeshausen	137/564.5
3,226,034	12/1965	Helman	239/310 X
3,383,051	5/1968	Fiorentino	239/460
3,847,354	11/1974	Lemond	239/317
4,491,254	1/1985	Viets et al.	222/83.5
4,651,930	3/1987	Magaha, Jr.	239/318
4,840,311	6/1989	Shamblin	239/74
4,881,575	11/1989	Smith	137/889

Primary Examiner—Wallace R. Burke
Assistant Examiner—M. H. Tung
Attorney, Agent, or Firm—Timmons & Kelly

[57] **CLAIM**

The ornamental design for a shower head, as shown.

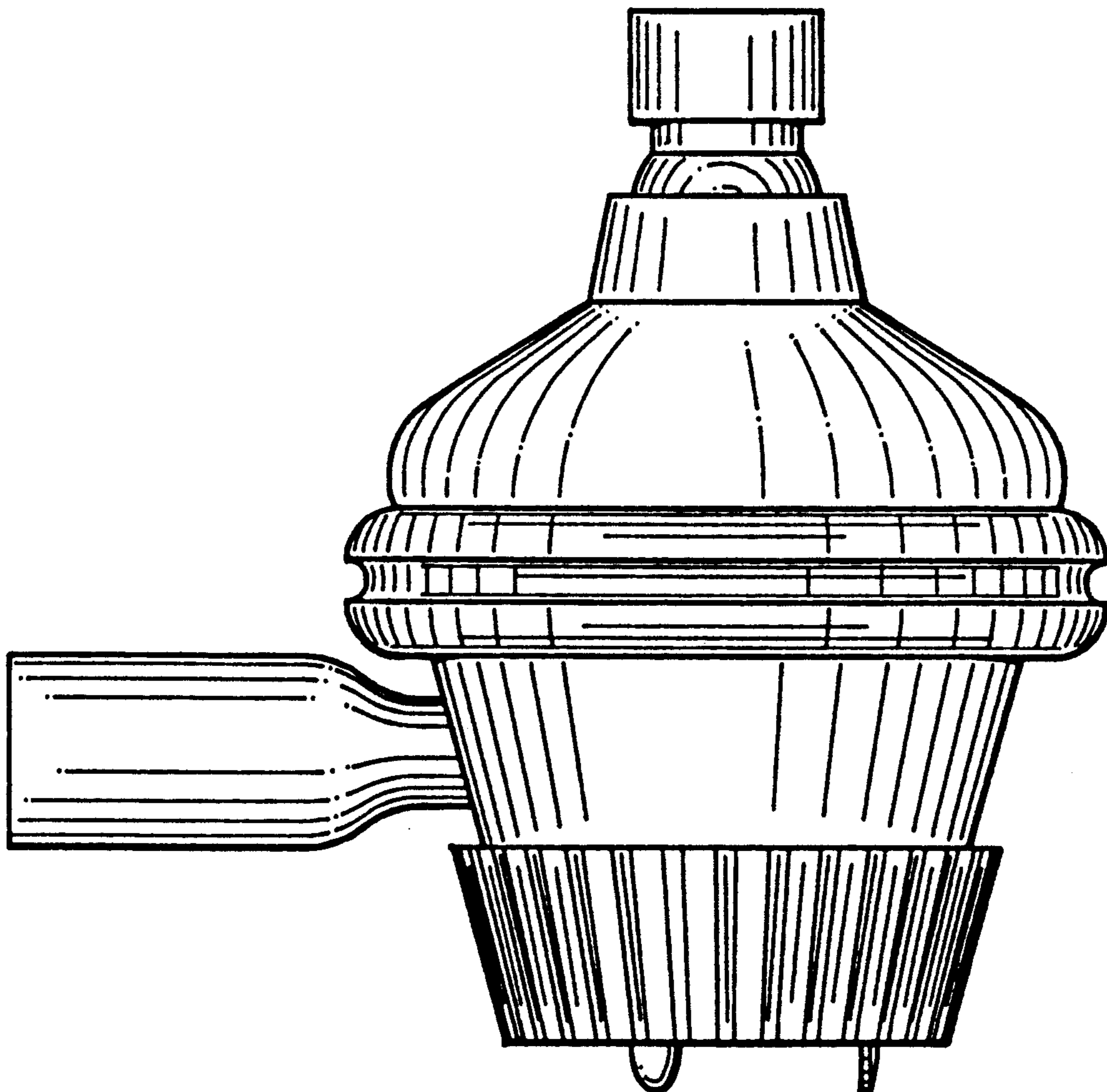
DESCRIPTION

FIG. 1 is a front elevational view of a shower head showing my new design;
FIG. 2 is a rear elevational view thereof;
FIG. 3 is a right side elevational view thereof;
FIG. 4 is a left side elevational view thereof;
FIG. 5 is a top plan view thereof; and,
FIG. 6 is a bottom plan view thereof.

[56] **References Cited**

U.S. PATENT DOCUMENTS

D. 314,608	2/1991	Presman	D23/213
D. 315,393	3/1991	Presman	D23/213
D. 323,545	1/1992	Ward	D23/213
2,261,500	11/1941	Lewis et al.	D23/213 X
2,743,913	5/1956	Gundlach	261/18
2,759,765	8/1956	Pawley	4/596 X



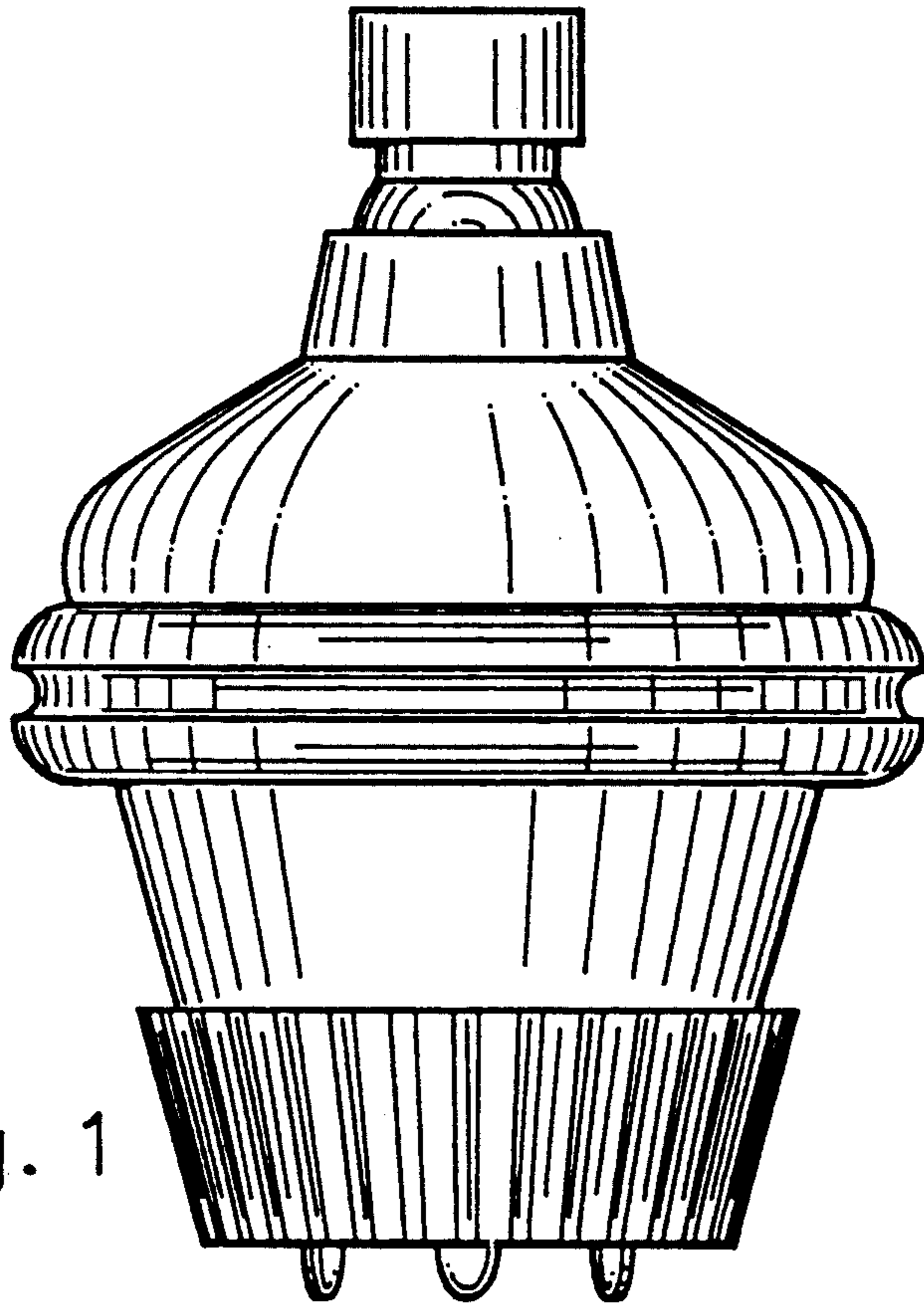


Fig. 1

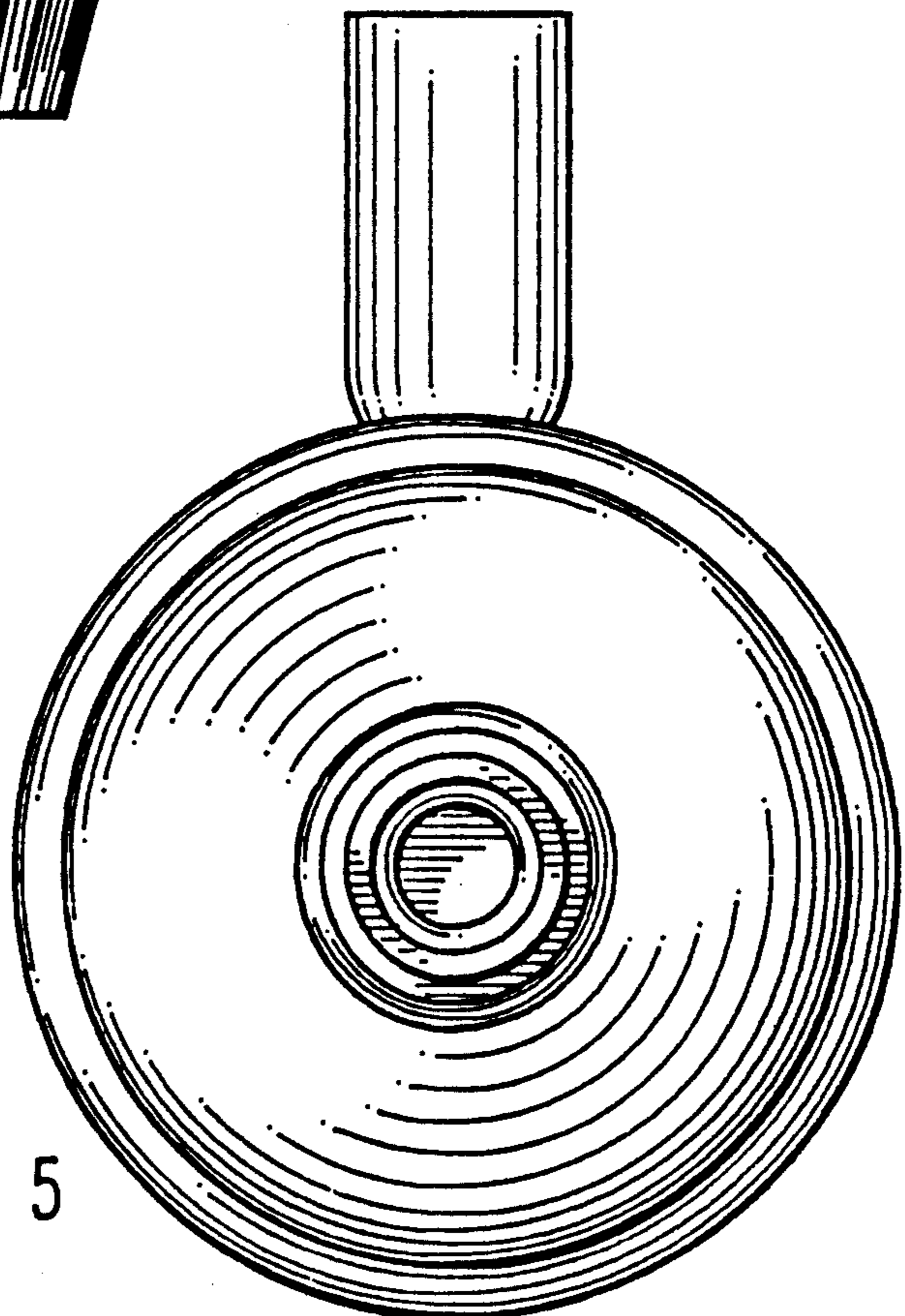


Fig. 5

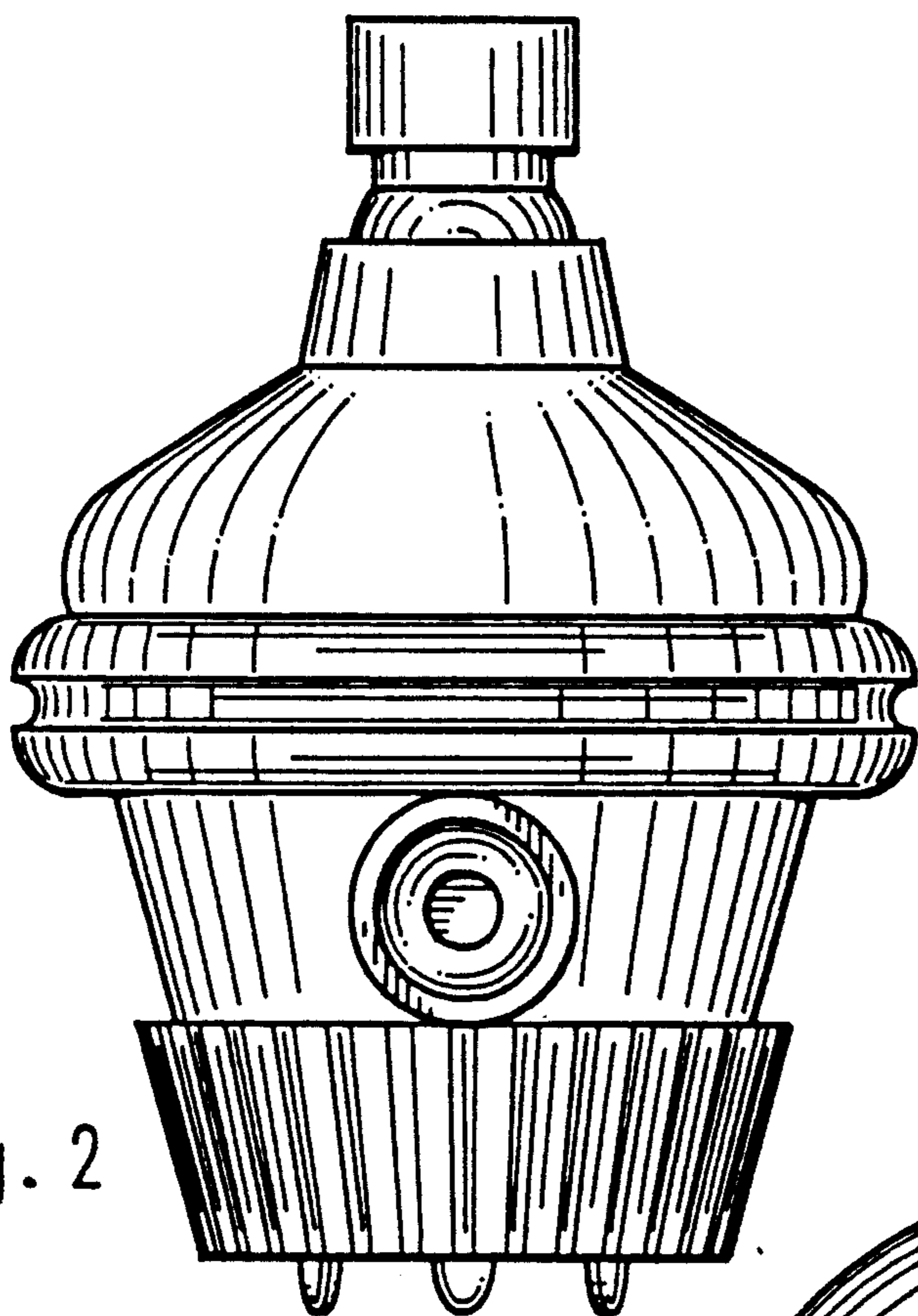


Fig. 2

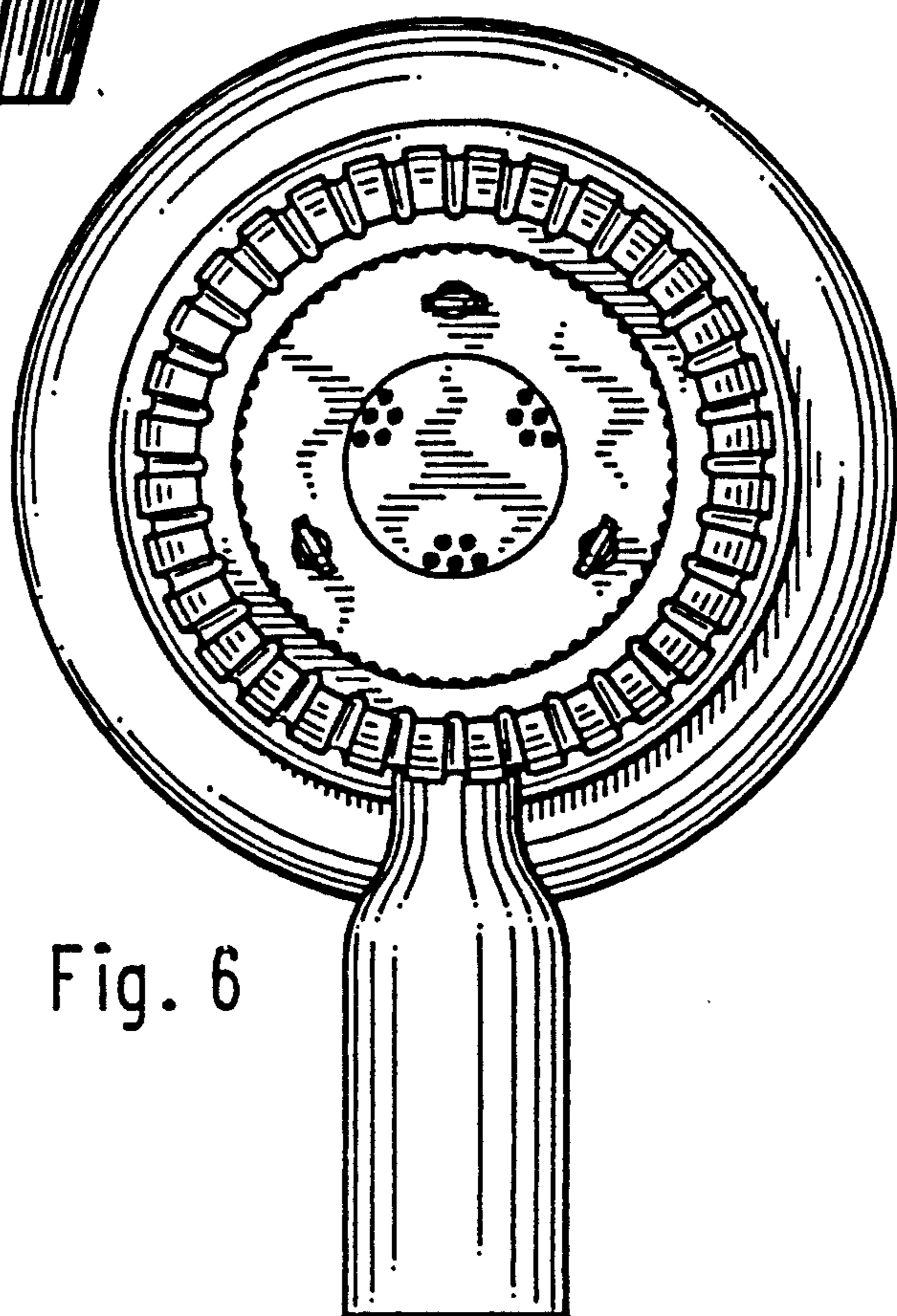


Fig. 6

Fig. 3

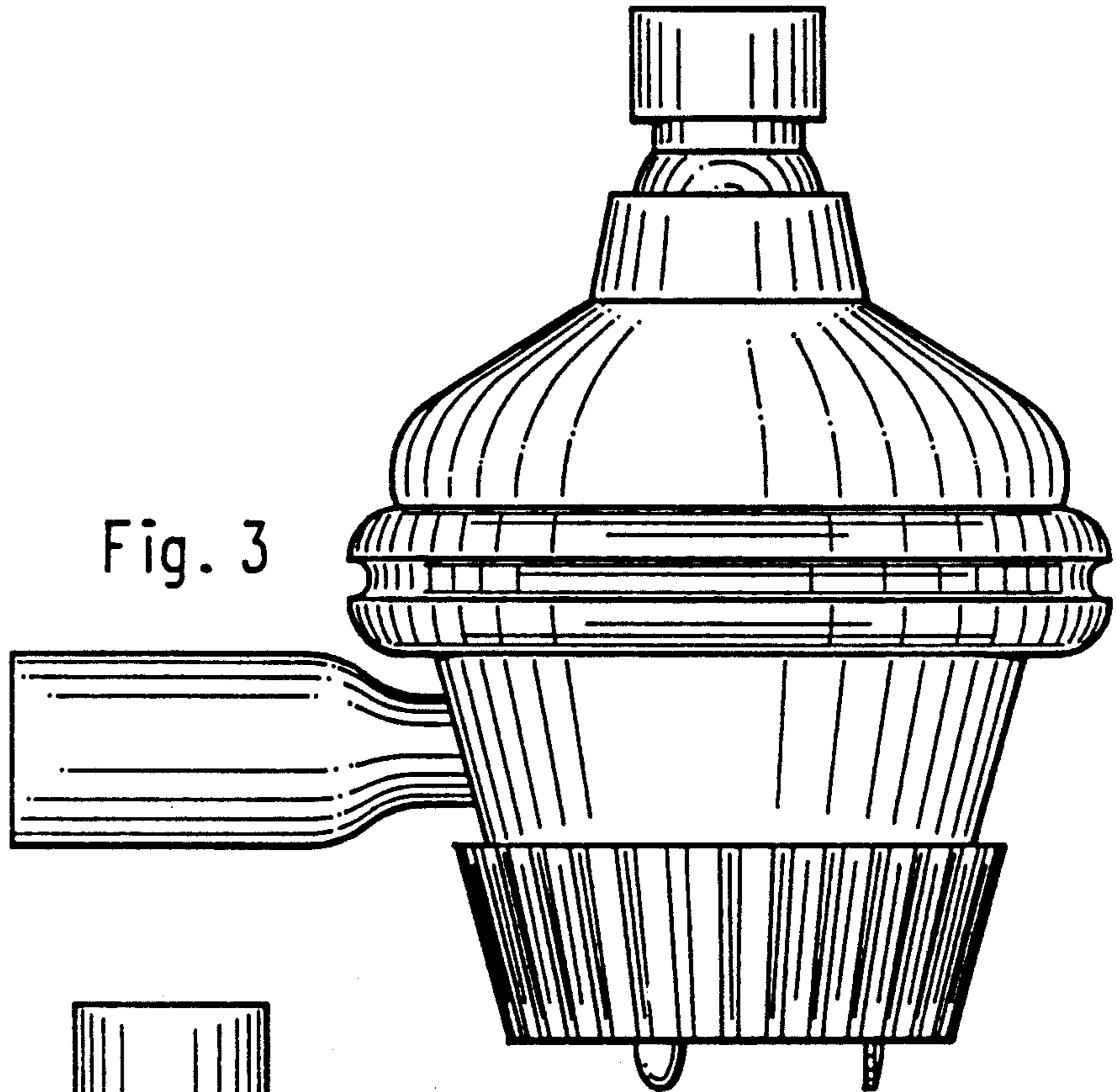


Fig. 4

