



US00D334227S

# United States Patent [19]

[11] Patent Number: **Des. 334,227**

**Gladfelter et al.**

[45] Date of Patent: **\*\* Mar. 23, 1993**

[54] **CHEMICAL DETERGENT BLOCK**

[75] Inventors: **Elizabeth J. Gladfelter**, Falcon Heights; **Tina O. Outlaw**, Inver Grove Heights; **James L. Copeland**; **Rhonda K. Schulz**, both of Burnsville; **Daniel K. Boche**, Eagan; **Jeff W. Peterson**, Minnetonka, all of Minn.

3,925,225 12/1975 Morrison ..... 252/90  
 4,569,780 2/1986 Fernholz et al. .... 252/90  
 4,683,072 7/1987 Holdt et al. .... 252/102  
 4,835,804 6/1989 Arnau-Munoz et al. .... 8/158  
 4,942,973 7/1990 Bowie ..... 220/201  
 4,944,165 7/1990 Leebeek et al. .... 68/17  
 5,122,158 6/1992 Kuroda et al. .... 252/90  
 5,133,892 7/1992 Chun et al. .... 252/90

[73] Assignee: **Ecolab Inc.**, St. Paul, Minn.

### FOREIGN PATENT DOCUMENTS

[\*\*] Term: **14 Years**

0245760 6/1987 European Pat. Off. .

[21] Appl. No.: **699,943**

*Primary Examiner*—Wallace R. Burke  
*Assistant Examiner*—Melody Brown  
*Attorney, Agent, or Firm*—Merchant, Gould, Smith,  
 Edell, Welter & Schmidt

[22] Filed: **May 14, 1991**

[52] U.S. Cl. .... **D23/207**

[58] Field of Search ..... D23/207; D28/8.1;  
252/90, 92, 134, 174, DIG. 2, DIG. 3; 206/5,  
524.1; 434/278; 403/305

### [57] CLAIM

The ornamental design for a chemical detergent block, as shown and described.

### [56] References Cited

#### U.S. PATENT DOCUMENTS

D. 283,649 4/1986 Casberg ..... D23/207  
 D. 285,729 9/1986 Tovey ..... D24/101  
 D. 304,244 10/1989 Tovey ..... D28/8.1  
 683,181 9/1901 Mereness ..... 252/90  
 692,481 2/1902 Robinson ..... 252/90  
 1,267,949 5/1918 Williams ..... 252/90

### DESCRIPTION

FIG. 1 is a perspective view of a chemical detergent block showing our new design;  
 FIG. 2 is a top plan view thereof; and,  
 FIG. 3 is a side elevational view thereof all other sides being mirror images of that shown.  
 The bottom is flat and unornamented.

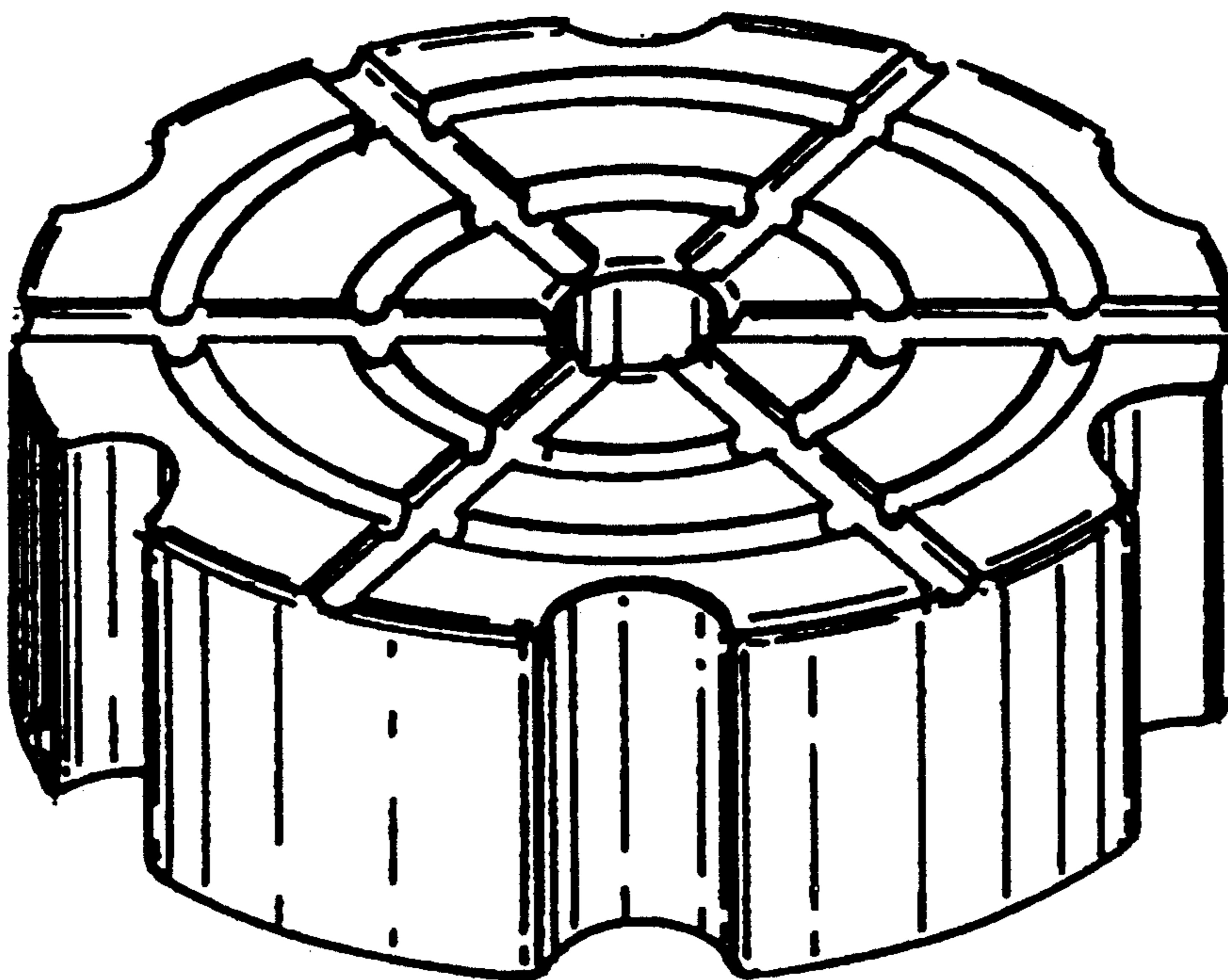


FIG. 1

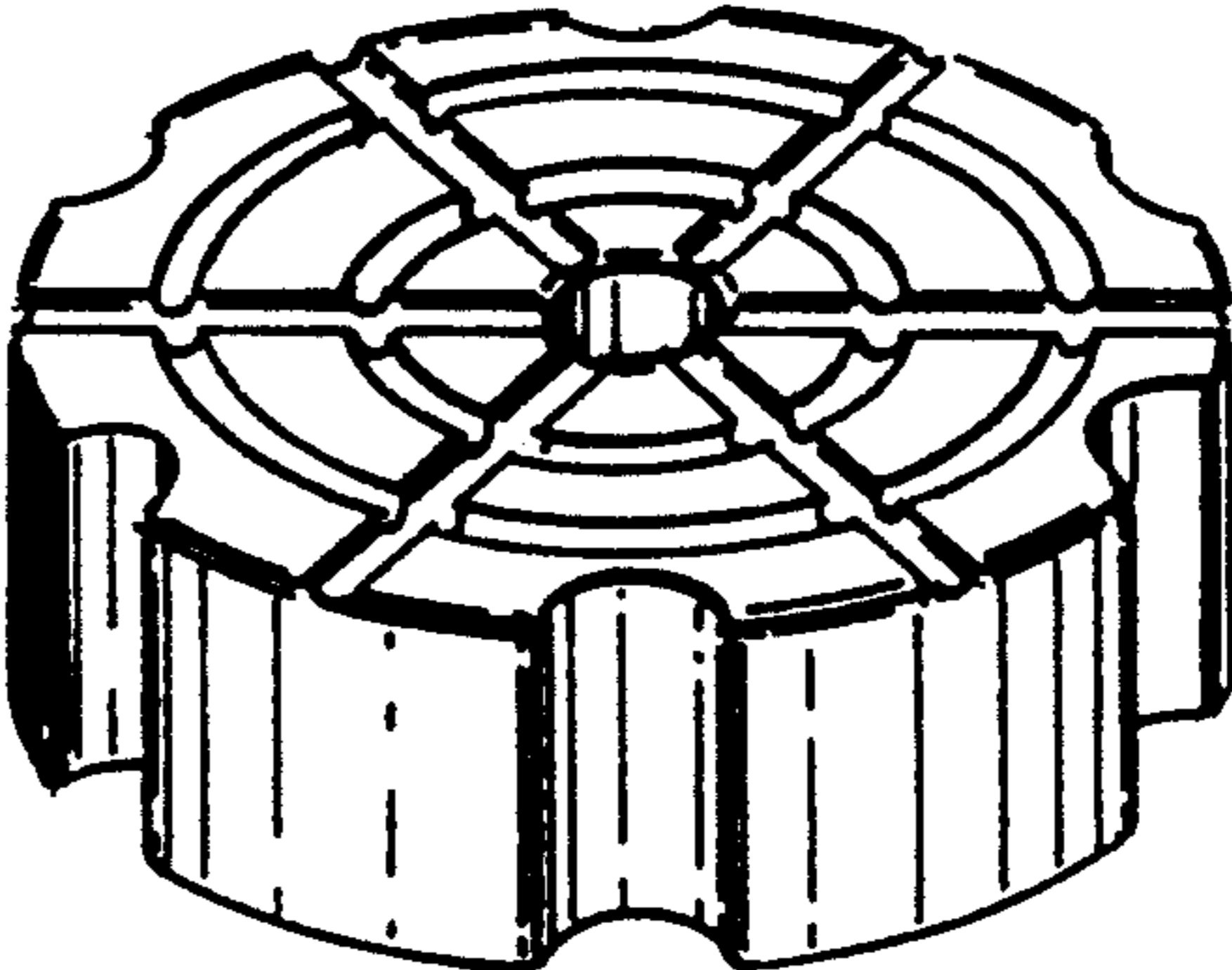


FIG. 2

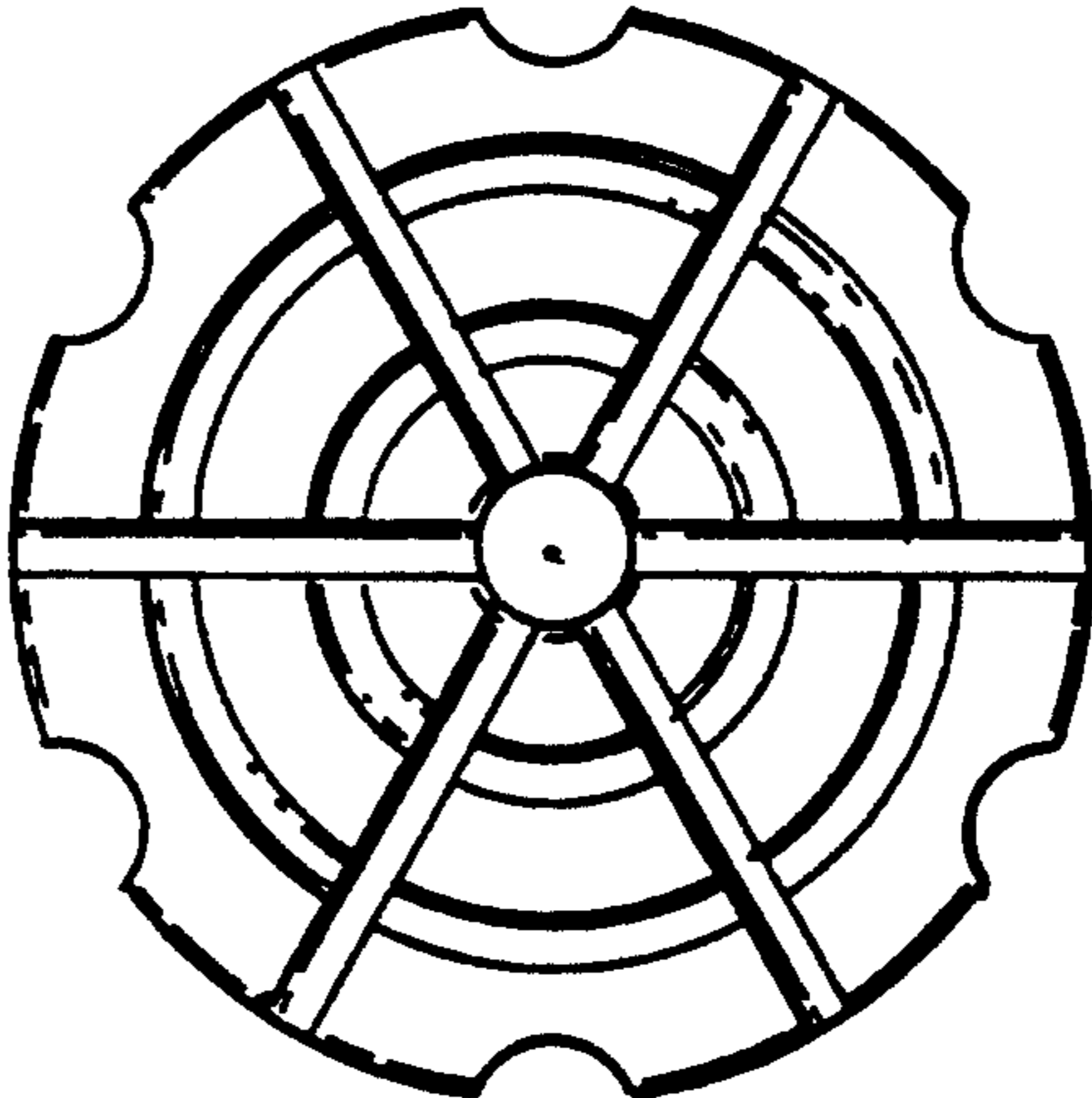


FIG. 3

