



US00D334226S

United States Patent [19] Engle

[11] Patent Number: **Des. 334,226**

[45] Date of Patent: **** Mar. 23, 1993**

[54] **FISHING ROD HOLDER**

[75] Inventor: **Arnold R. Engle**, Portland, Oreg.

[73] Assignee: **Quick Set Pole Holder Company**,
Portland, Oreg.

[*] Notice: The portion of the term of this patent
subsequent to Apr. 10, 2004 has been
disclaimed.

[**] Term: **14 Years**

[21] Appl. No.: **580,295**

[22] Filed: **Sep. 7, 1990**

[52] U.S. Cl. **D22/147**

[58] Field of Search **D22/147; 43/21.2, 25.2;**
248/511, 513, 514, 530, 533, 534, 538

4,425,729 1/1984 Miyamae 248/538 X
 4,650,146 3/1987 Duke 248/530 X
 4,807,384 2/1989 Roberts, Sr. 43/21.2 X

Primary Examiner—A. Hugo Word
Assistant Examiner—Doris V. Coles
Attorney, Agent, or Firm—Chernoff, Vilhauer, McClung
 & Stenzel

[57] CLAIM

The ornamental design for a fishing rod holder, as
shown and described.

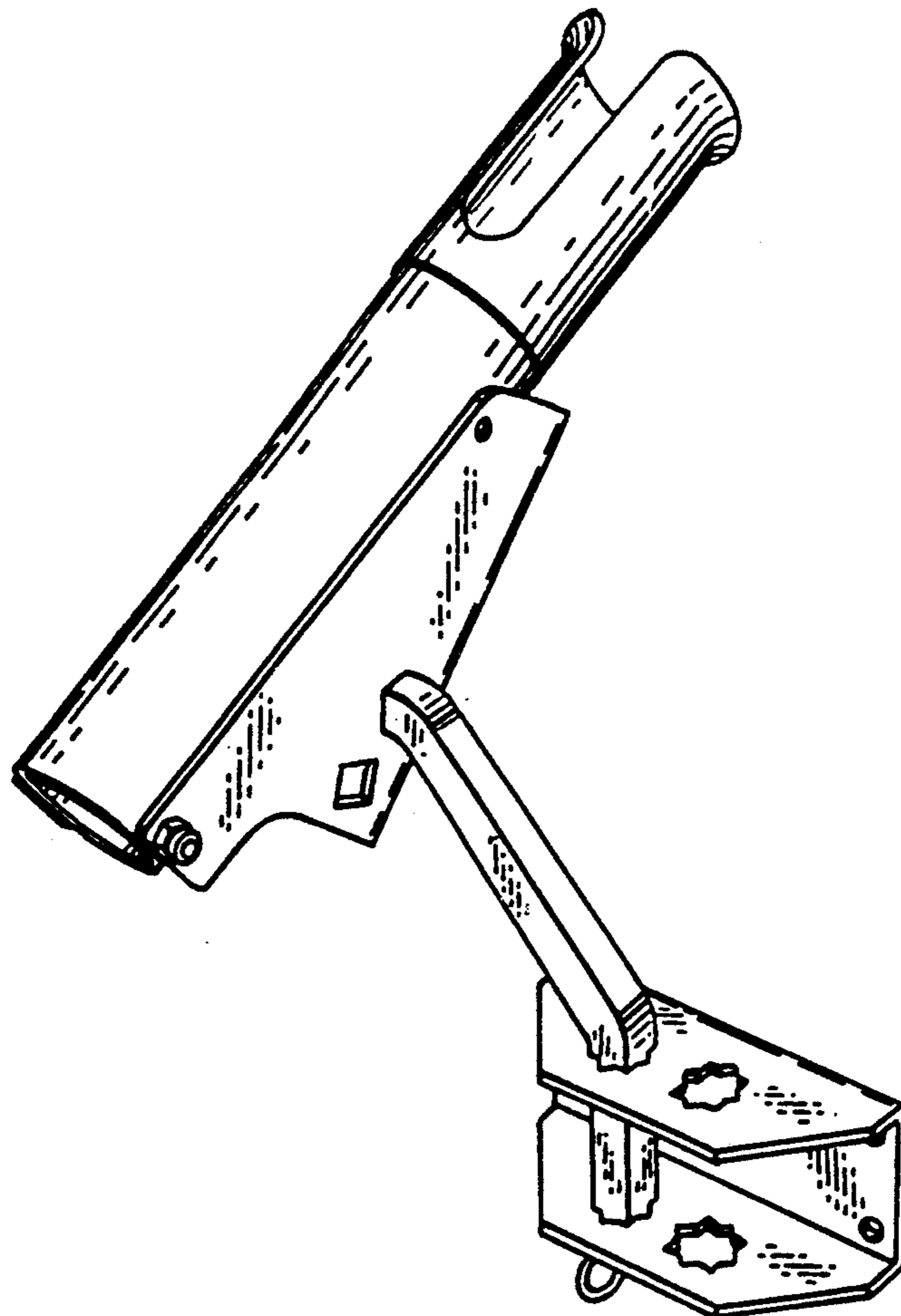
DESCRIPTION

FIG. 1 is a perspective view of a fishing rod holder,
showing my new design;
 FIG. 2 is a right side elevational view thereof, at a
reduced scale;
 FIG. 3 is a front elevational view thereof, at a reduced
scale;
 FIG. 4 is a top plan view thereof, at a reduced scale;
 FIG. 5 is a left side elevational view thereof, at a re-
duced scale;
 FIG. 6 is a rear elevational view thereof, at a reduced
scale; and,
 FIG. 7 is a bottom view thereof, at a reduced scale.

[56] References Cited

U.S. PATENT DOCUMENTS

D. 295,776 5/1988 Johansen D22/147
 D. 307,171 4/1990 Engle D22/147
 2,861,761 11/1958 Nordell D22/147 X
 2,912,196 11/1959 Johnson 248/538
 4,372,072 2/1983 Comeau 43/25.2 X



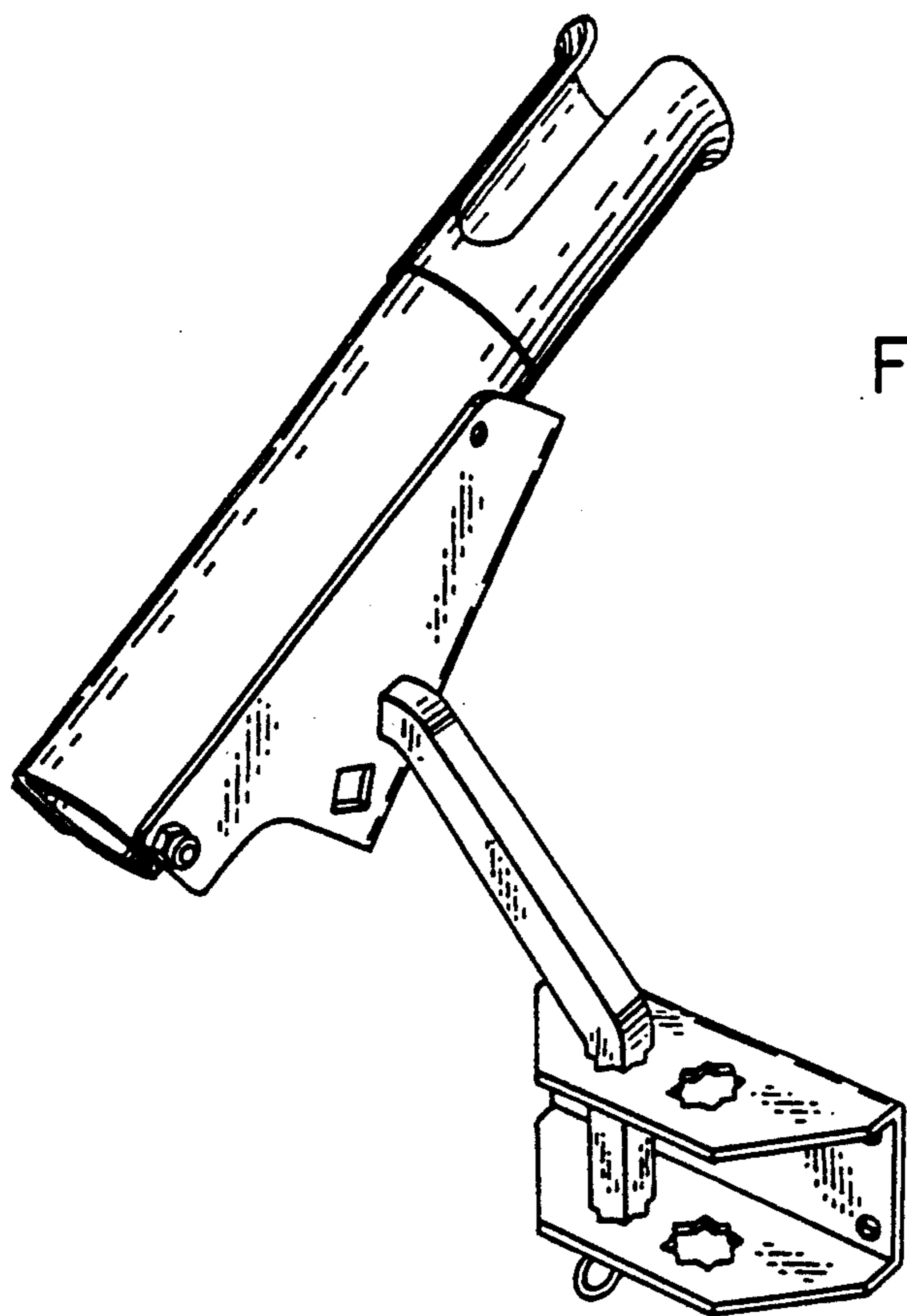


FIG. 1

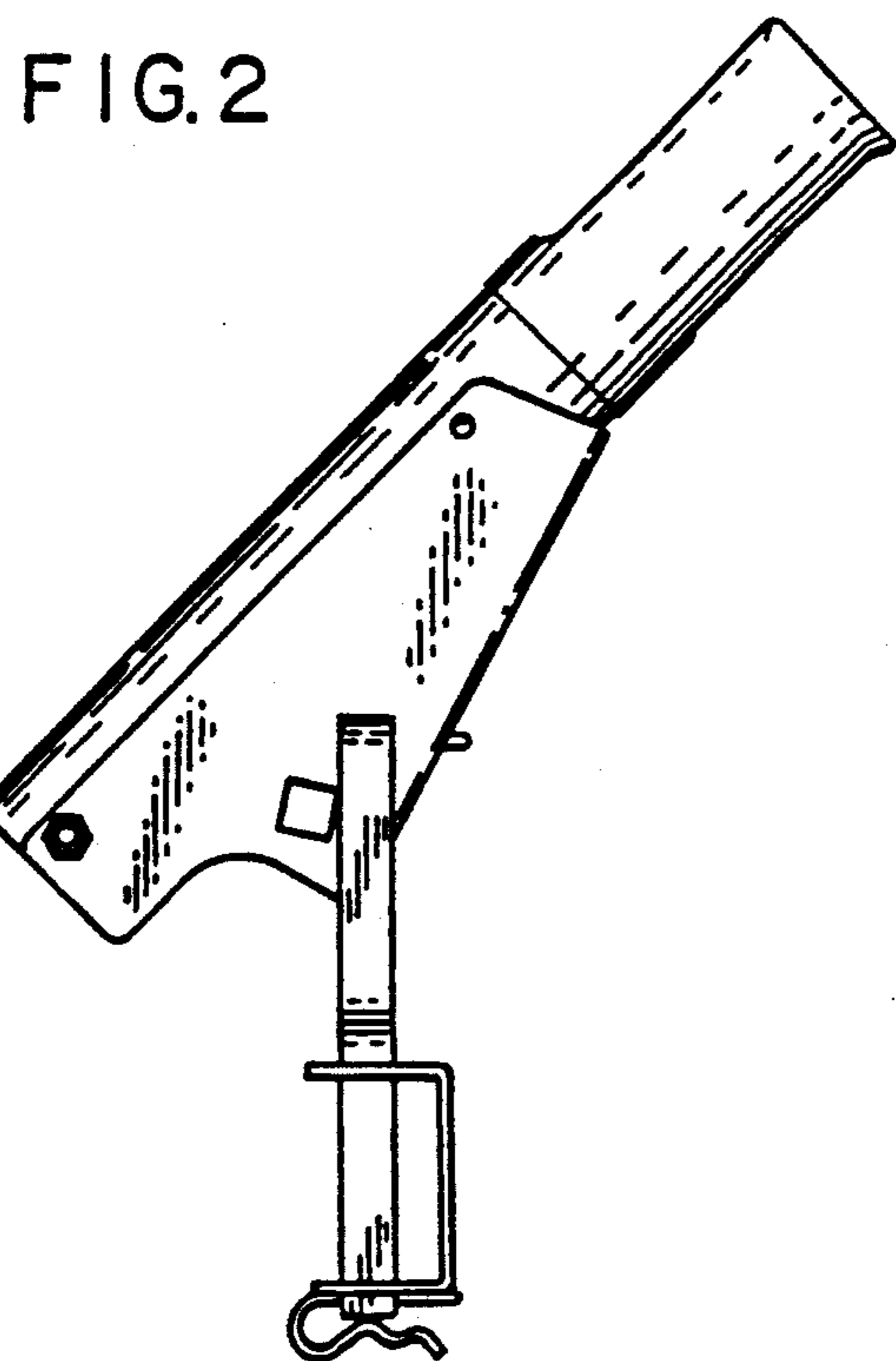


FIG. 2

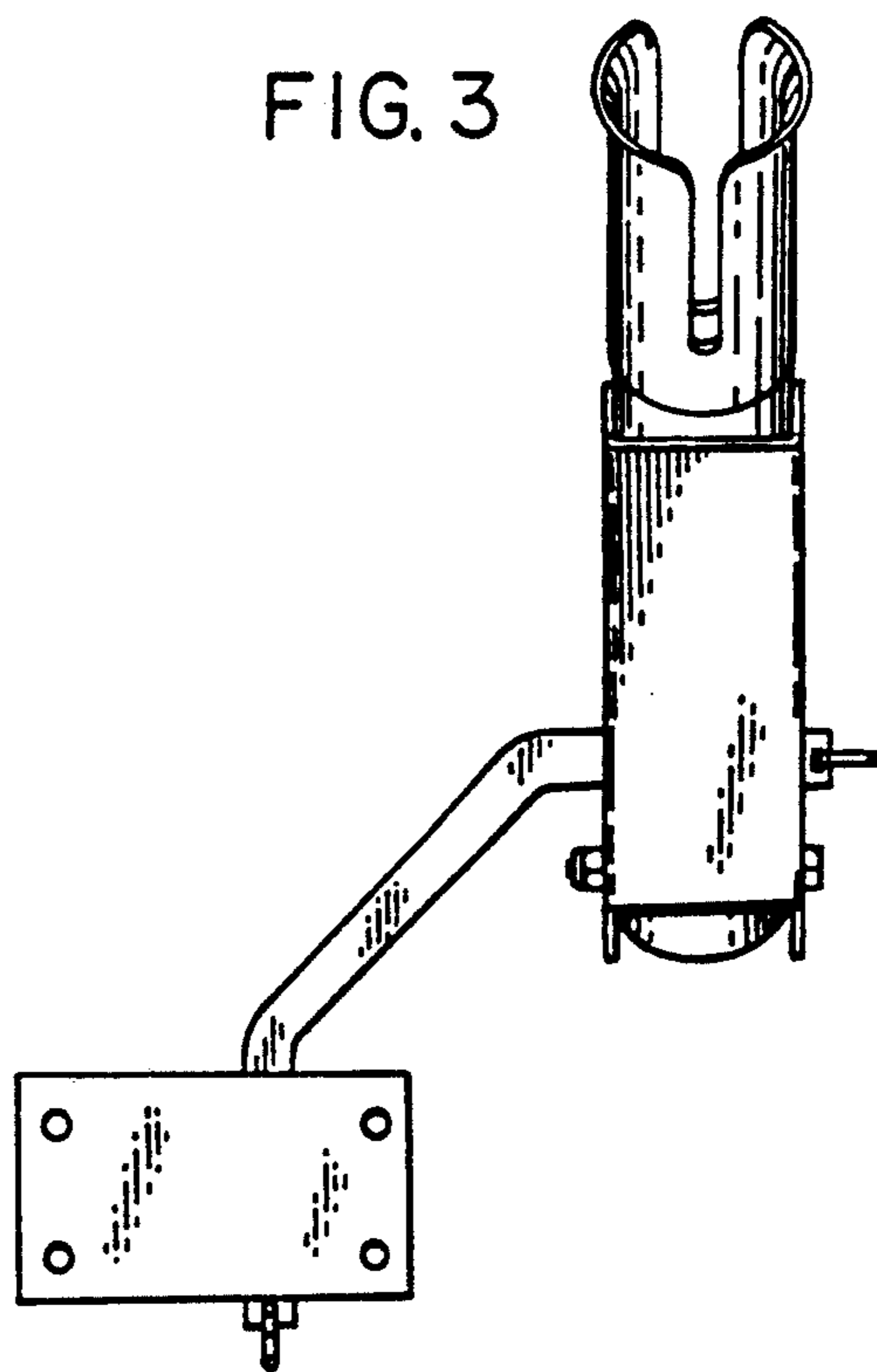


FIG. 3

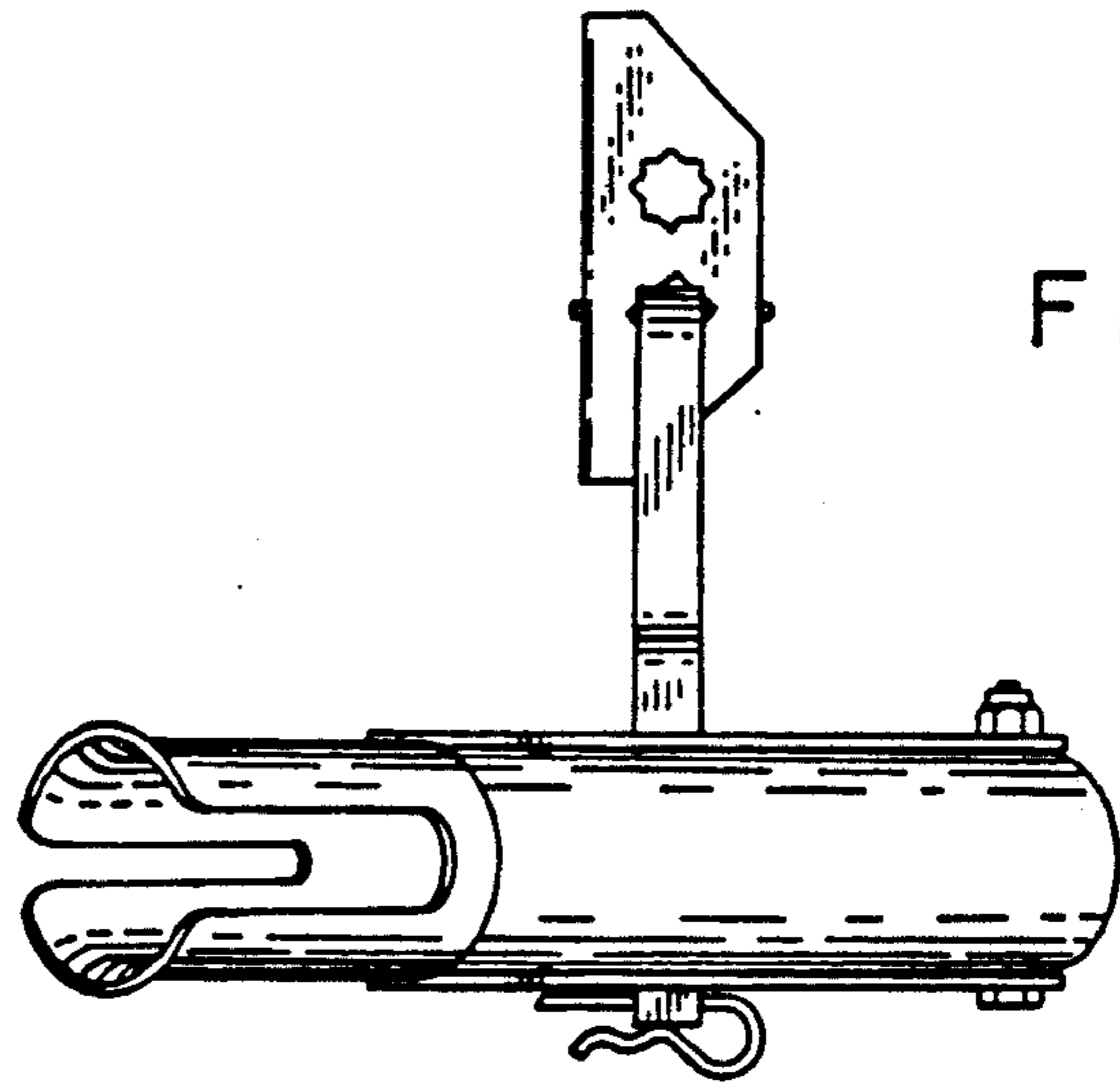


FIG. 4

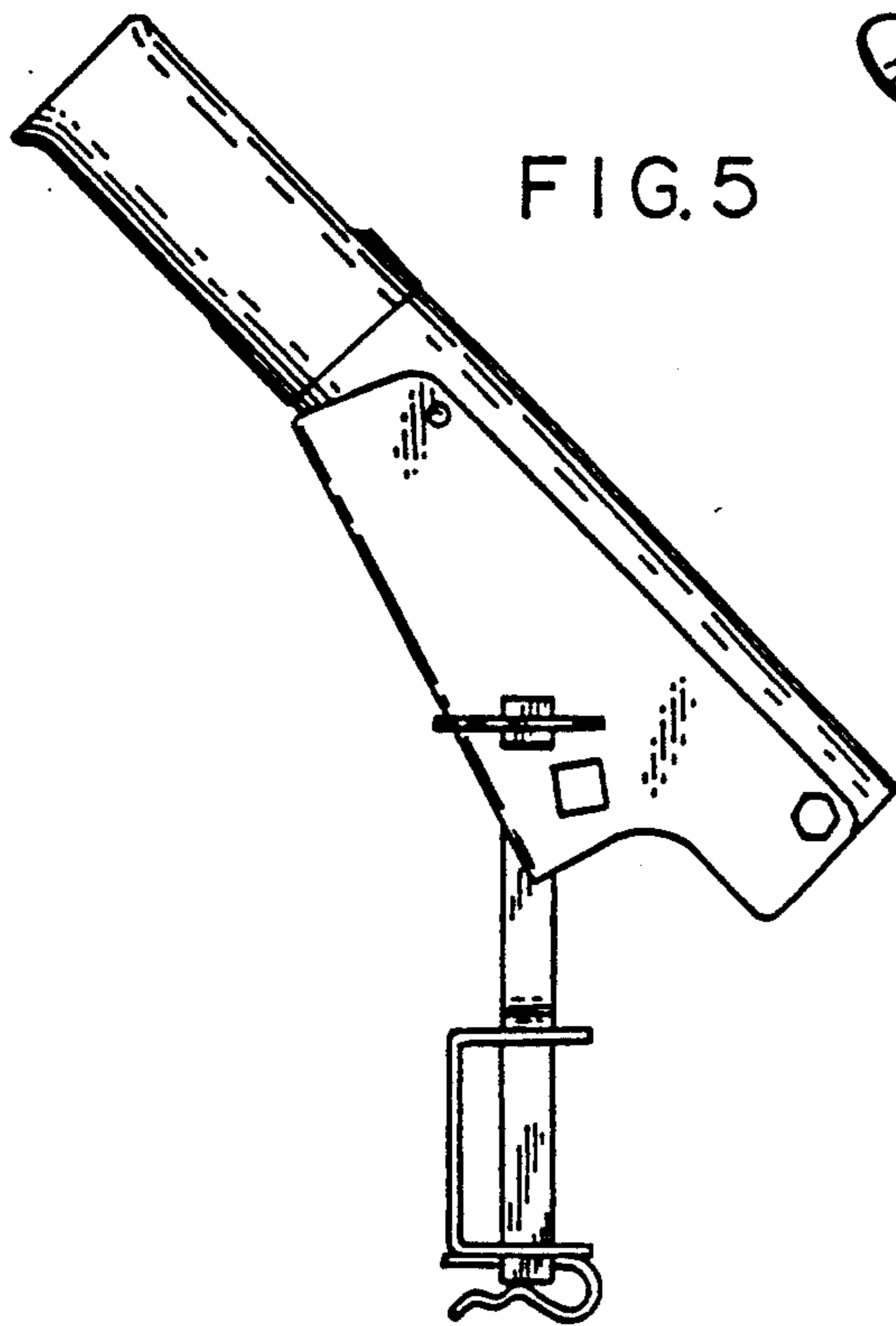


FIG. 5

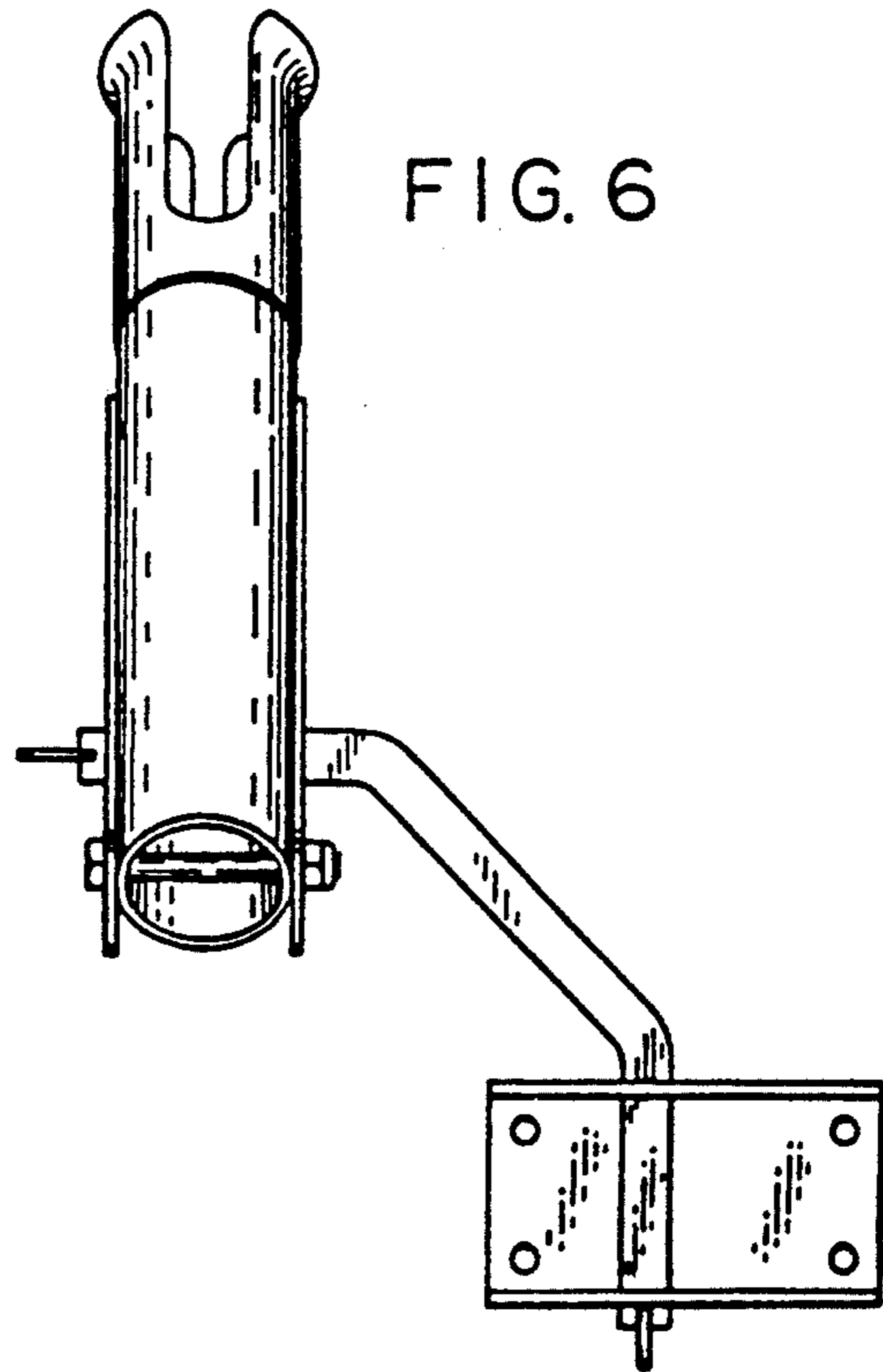


FIG. 6

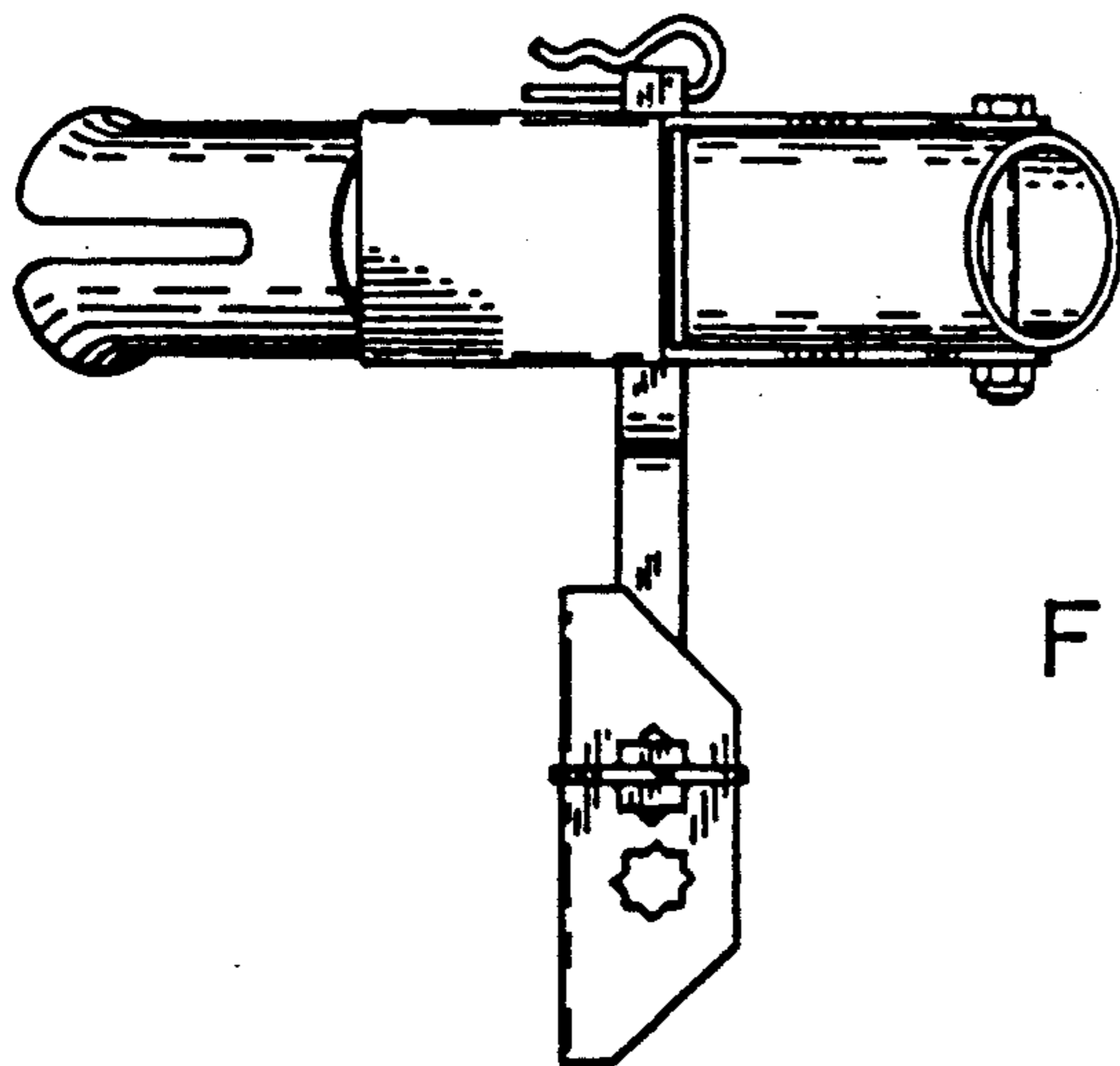


FIG. 7