



US00D334225S

United States Patent [19]
Graham

[11] **Patent Number: Des. 334,225**

[45] **Date of Patent: ** Mar. 23, 1993**

- [54] **LONG BLADE ROLLER SKATE**
- [75] **Inventor: Douglas H. Graham, Boonton, N.J.**
- [73] **Assignee: Rollerblade, Inc., Minneapolis, Minn.**
- [**] **Term: 14 Years**
- [21] **Appl. No.: 714,735**
- [22] **Filed: Jun. 13, 1991**
- [52] **U.S. Cl. D21/226**
- [58] **Field of Search D21/224, 225, 226;**
280/11.23, 11.22, 11.26, 11.19

Primary Examiner—Bernard Ansher
Assistant Examiner—R. Barkai
Attorney, Agent, or Firm—Merchant, Gould, Smith,
 Edell, Welter & Schmidt

[57] **CLAIM**

The ornamental design for long blade roller skate, as shown and described.

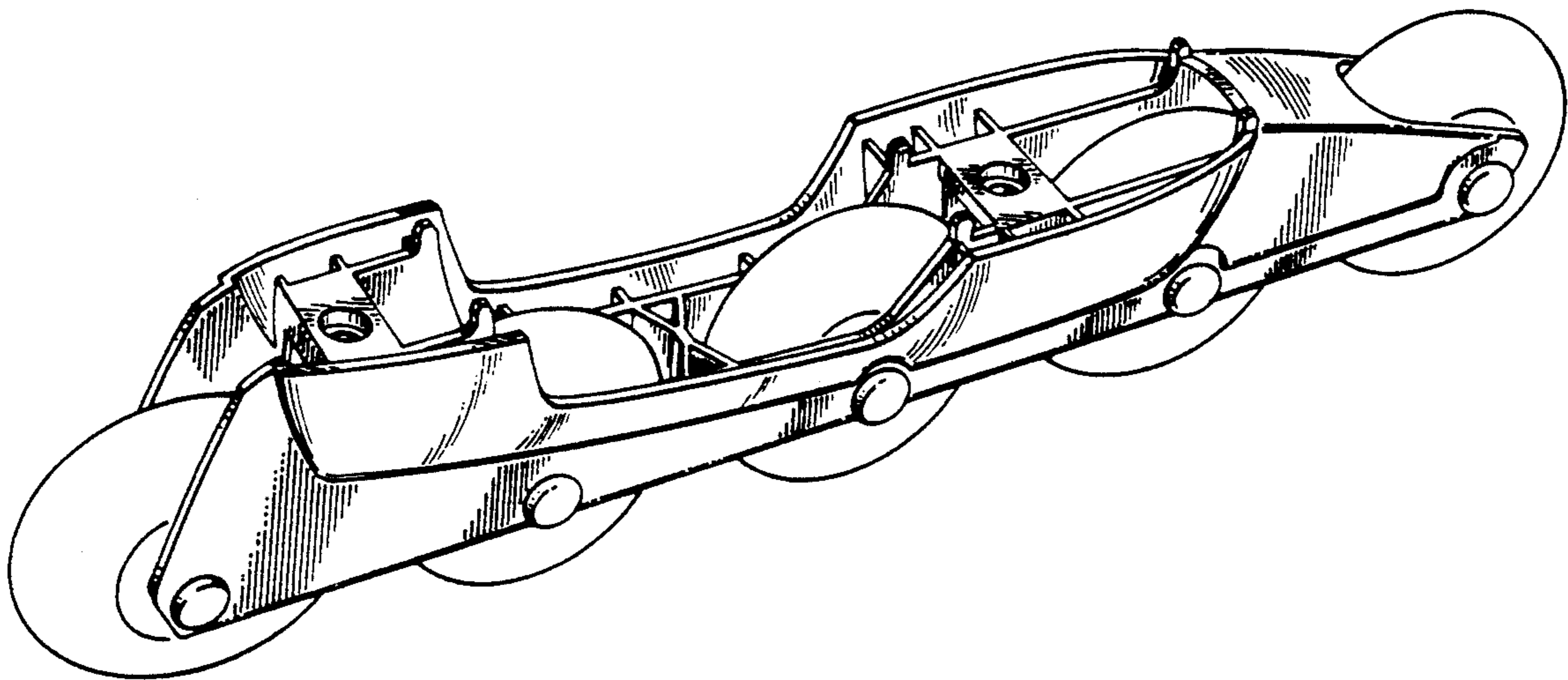
DESCRIPTION

FIG. 1 is a perspective view of a long blade roller skate showing my new design;
 FIG. 2 is a side elevational view thereof, the side opposite being a mirror image;
 FIG. 3 is a top plan view thereof;
 FIG. 4 is a bottom plan view thereof;
 FIG. 5 is a front elevational view thereof; and,
 FIG. 6 is a rear elevational view thereof.

[56] **References Cited**

U.S. PATENT DOCUMENTS

- D. 323,540 1/1992 Graham D21/226
- D. 324,713 3/1992 Rubin D21/226
- D. 325,418 4/1992 McNamara D21/226



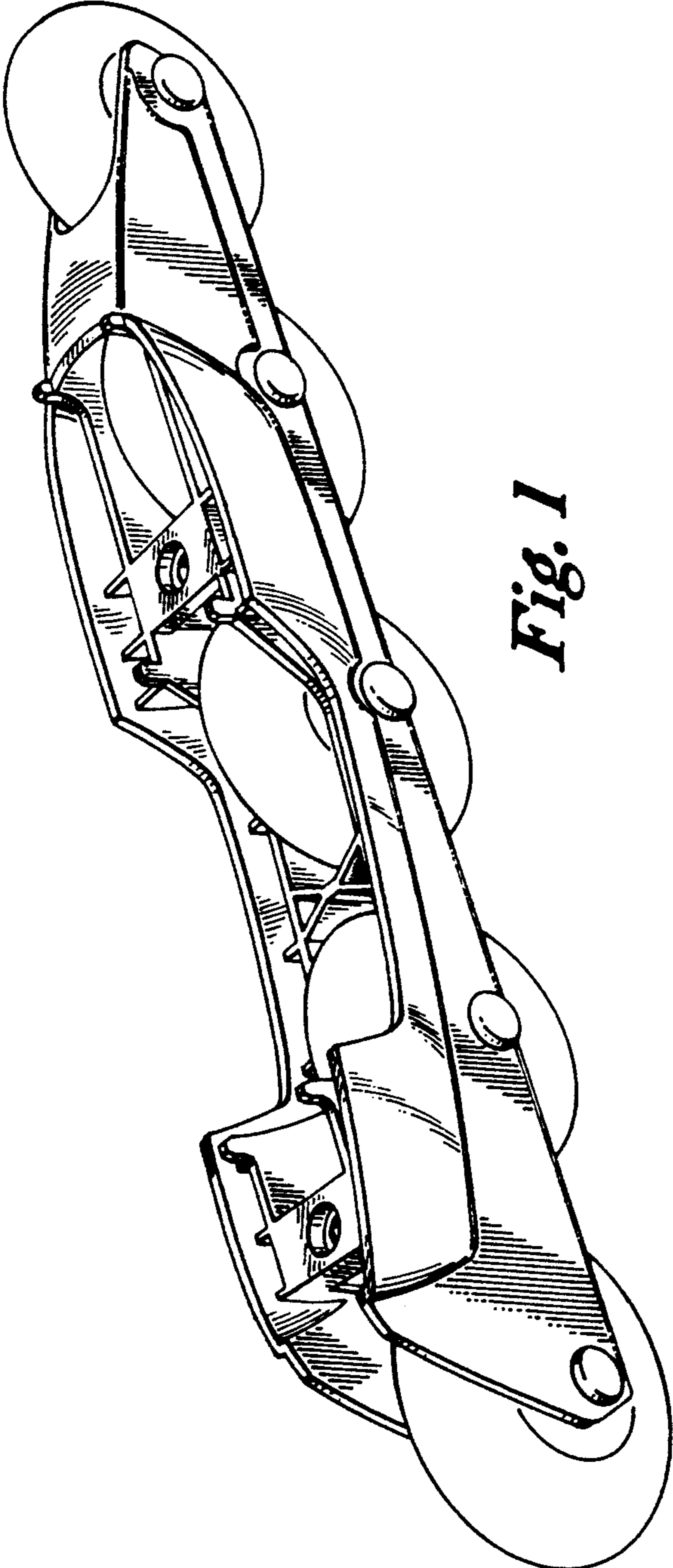


Fig. 1

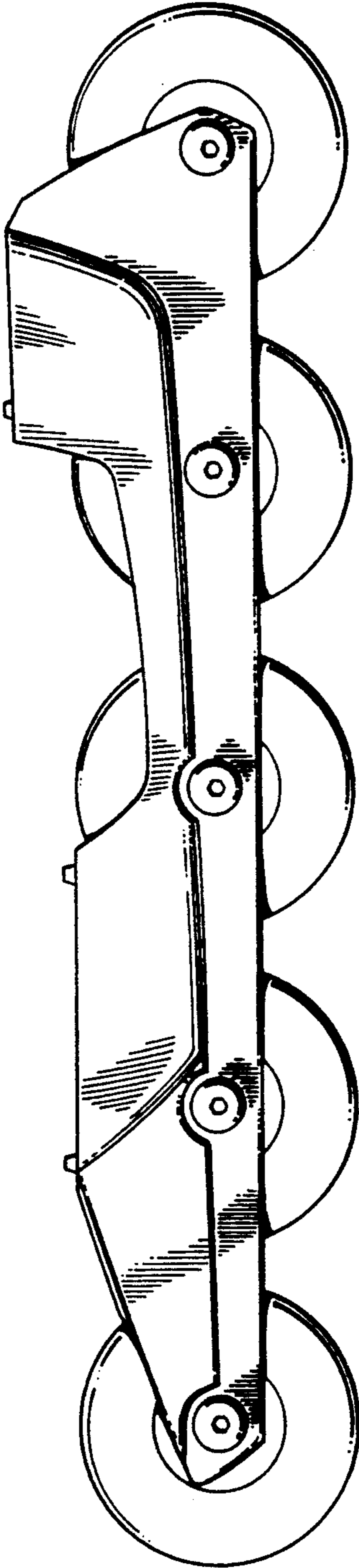


Fig. 2

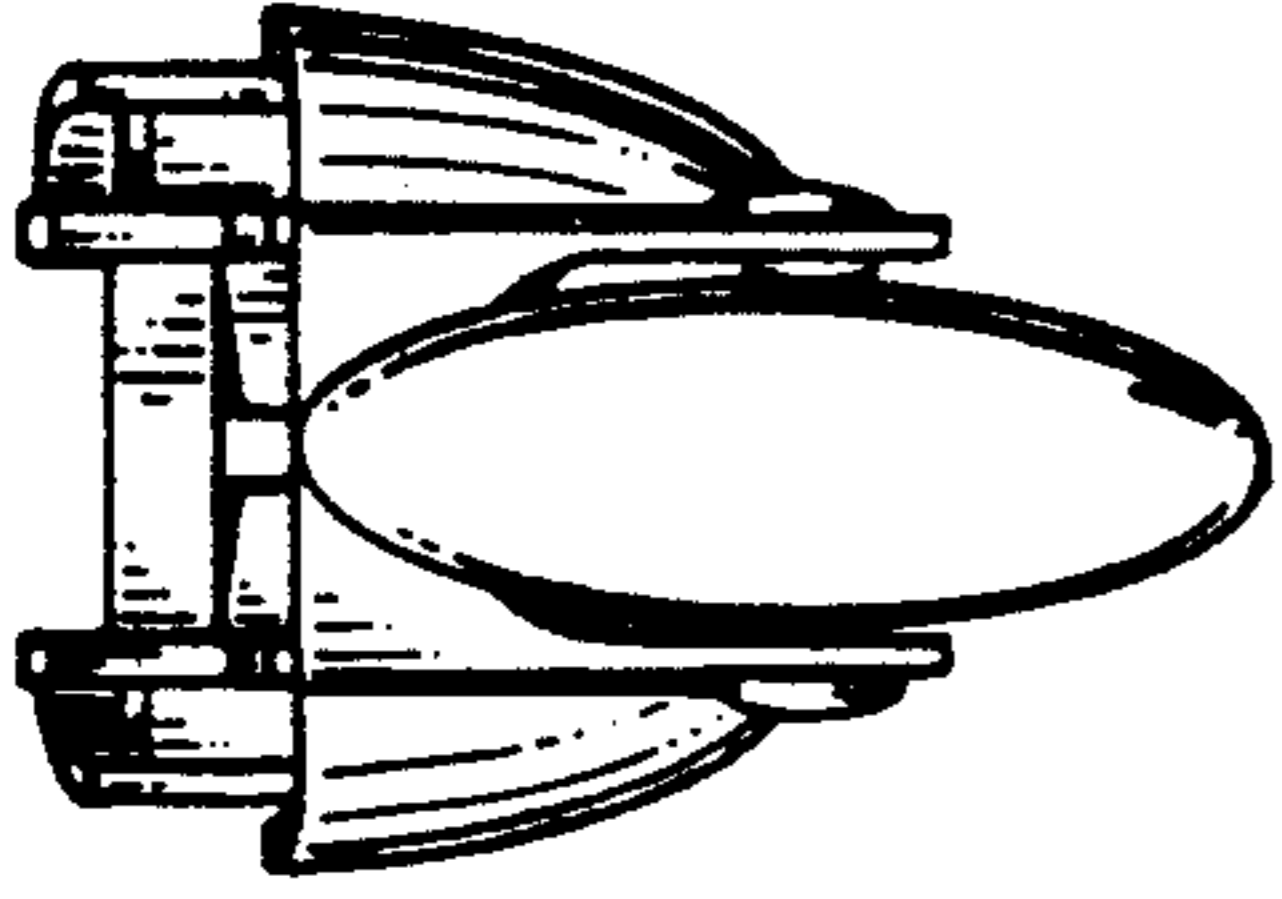


Fig. 5

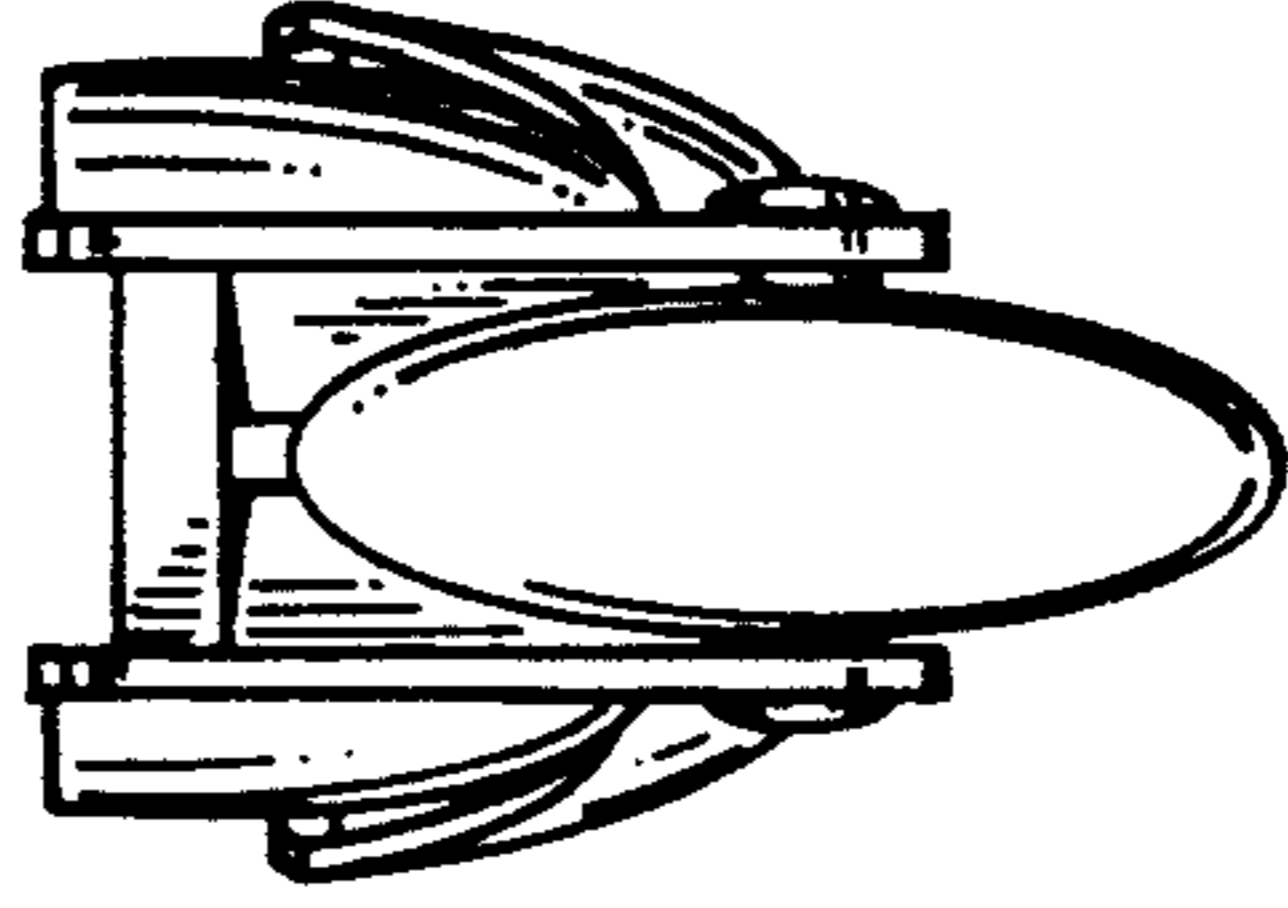


Fig. 6

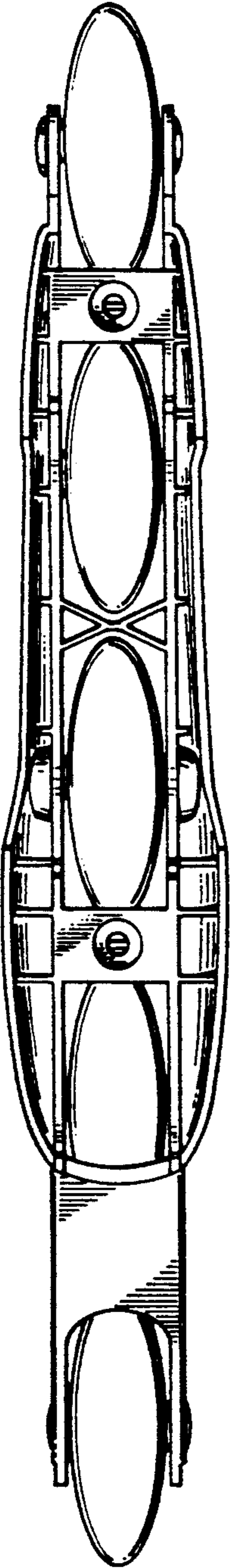


Fig. 3

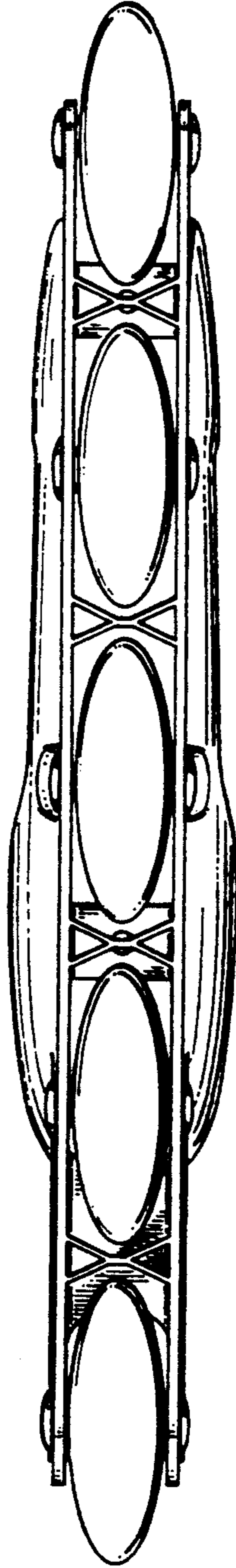


Fig. 4