



US00D334222S

United States Patent [19]

[11] Patent Number: **Des. 334,222**

Krebs

[45] Date of Patent: **** Mar. 23, 1993**

[54] TOY VAN

[75] Inventor: **T. A. Krebs, Englewood, Fla.**

[73] Assignee: **Brown Box Too, Inc., Englewood, Fla.**

[**] Term: **14 Years**

[21] Appl. No.: **754,685**

[22] Filed: **Sep. 4, 1991**

[52] U.S. Cl. **D21/140**

[58] Field of Search **D21/71, 76, 80, 81, D21/121, 128, 132, 134, 137, 139, 140, 141, 159; D12/88, 135, 211; D6/300; D34/12; 446/425, 424, 444, 455, 426, 440, 465, 456, 457, 470, 471; 280/87.042, 47.31, 47.26, 87.041, 47.27, 30, 206, 7.92; 180/180**

D. 256,188	8/1980	Davidson	D21/140
D. 279,589	7/1985	Marshall	D21/134
D. 282,266	1/1986	Richards	D21/140
D. 295,772	5/1988	Kwan	D21/140
2,665,522	1/1954	Junod	446/470
4,571,205	2/1986	Zaruba	446/470

Primary Examiner—Bernard Ansher
Assistant Examiner—R. Barkai
Attorney, Agent, or Firm—Charles J. Prescott

[57] CLAIM

The ornamental design for a toy van, as shown and described.

DESCRIPTION

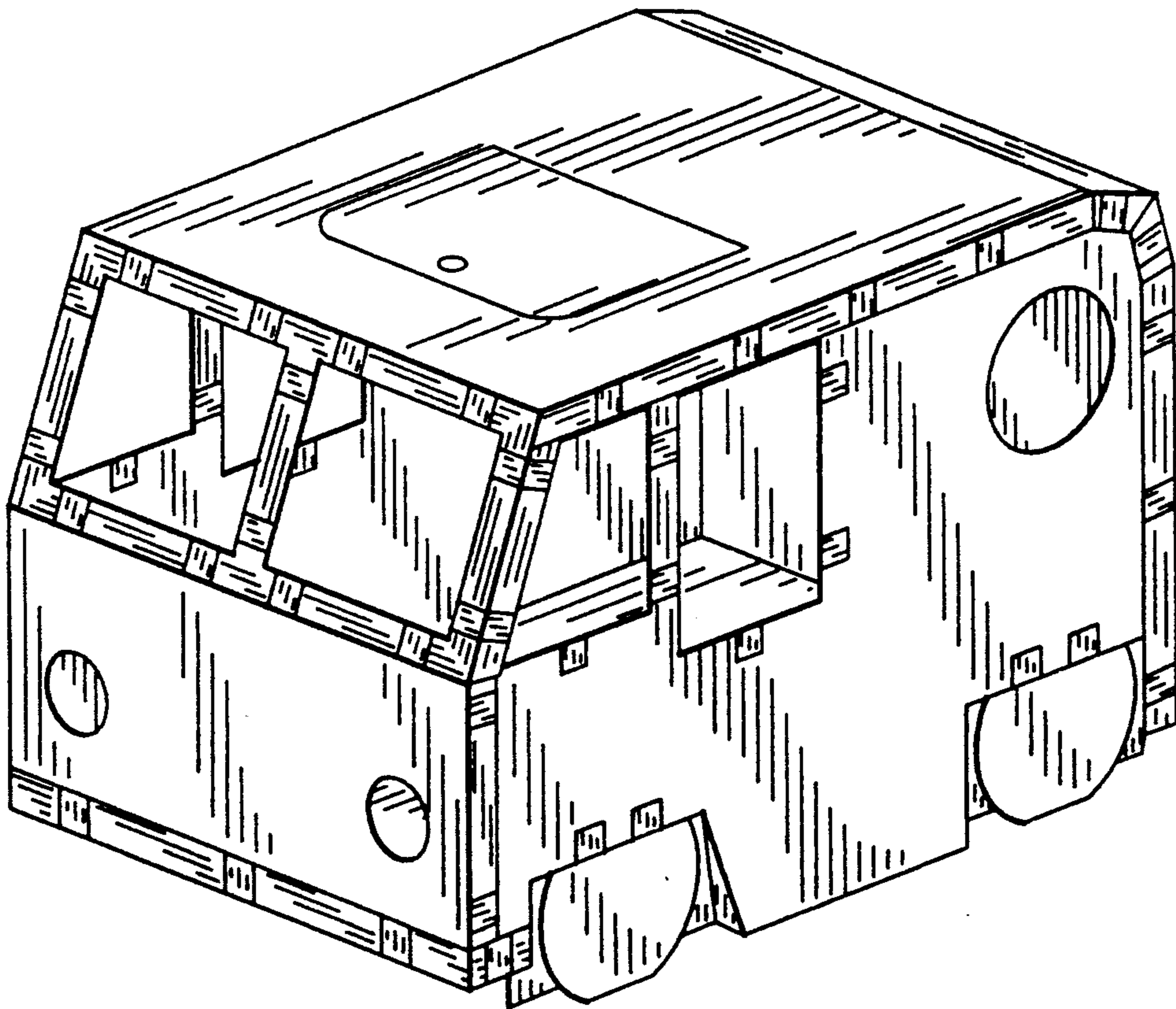
FIG. 1 is a perspective view of a toy van showing my new design;
FIG. 2 is a right side elevational view thereof, the left side being a mirror image of that shown;
FIG. 3 is a front elevational view thereof;
FIG. 4 is a rear elevational view thereof; and,
FIG. 5 is a top plan view thereof.

[56]

References Cited

U.S. PATENT DOCUMENTS

D. 220,198 3/1971 Clauser D21/140



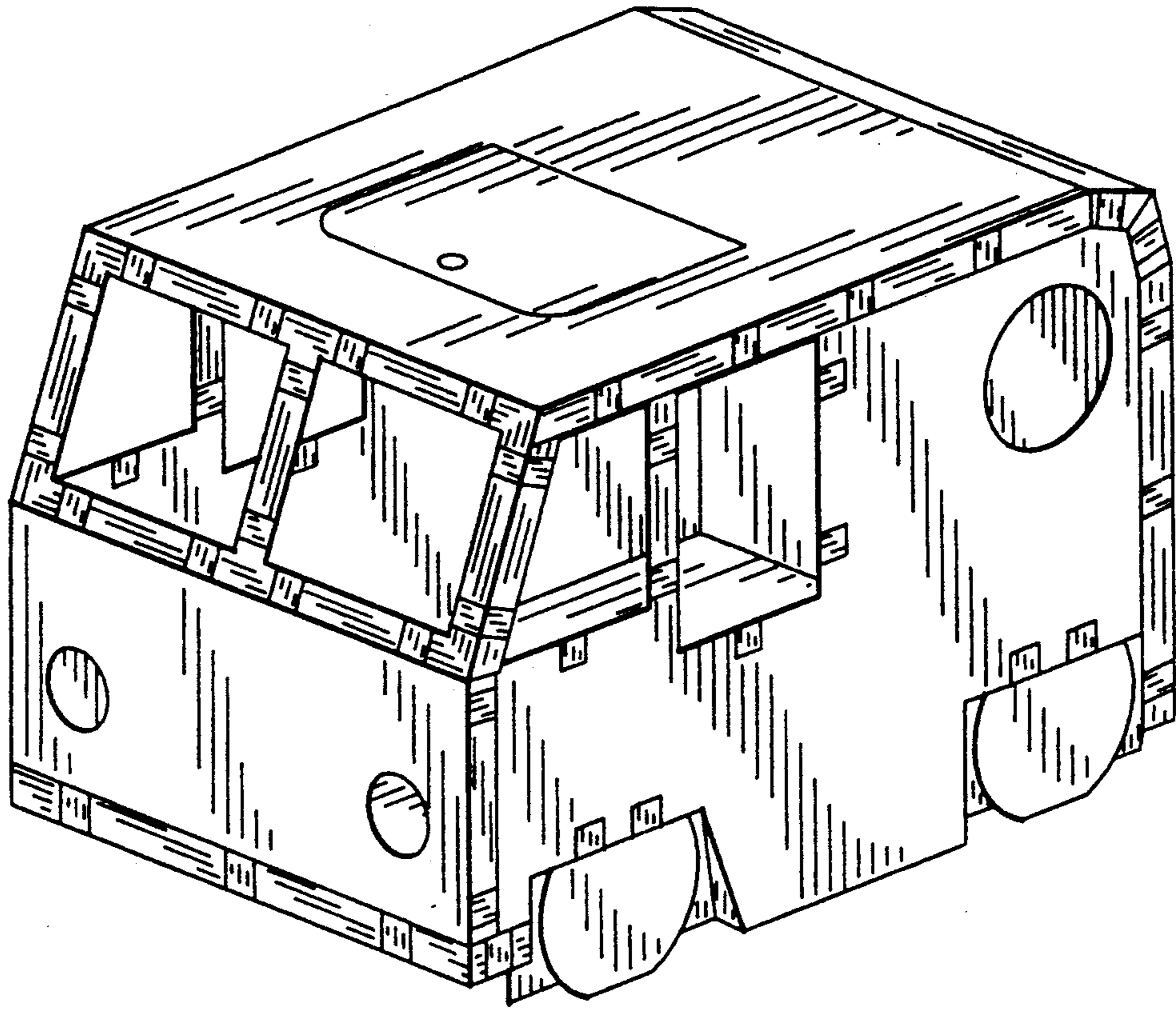


FIG. 1

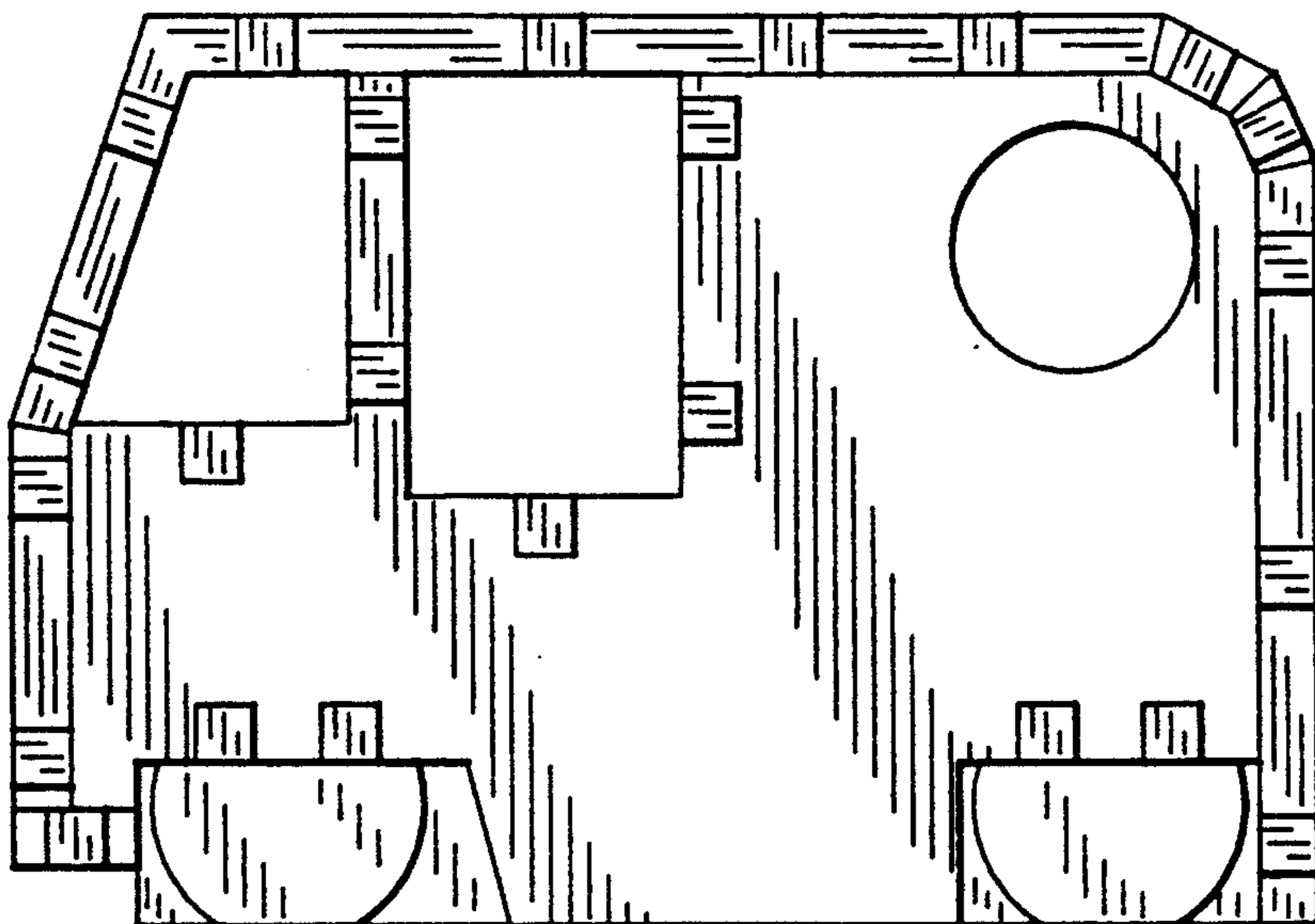


FIG. 2

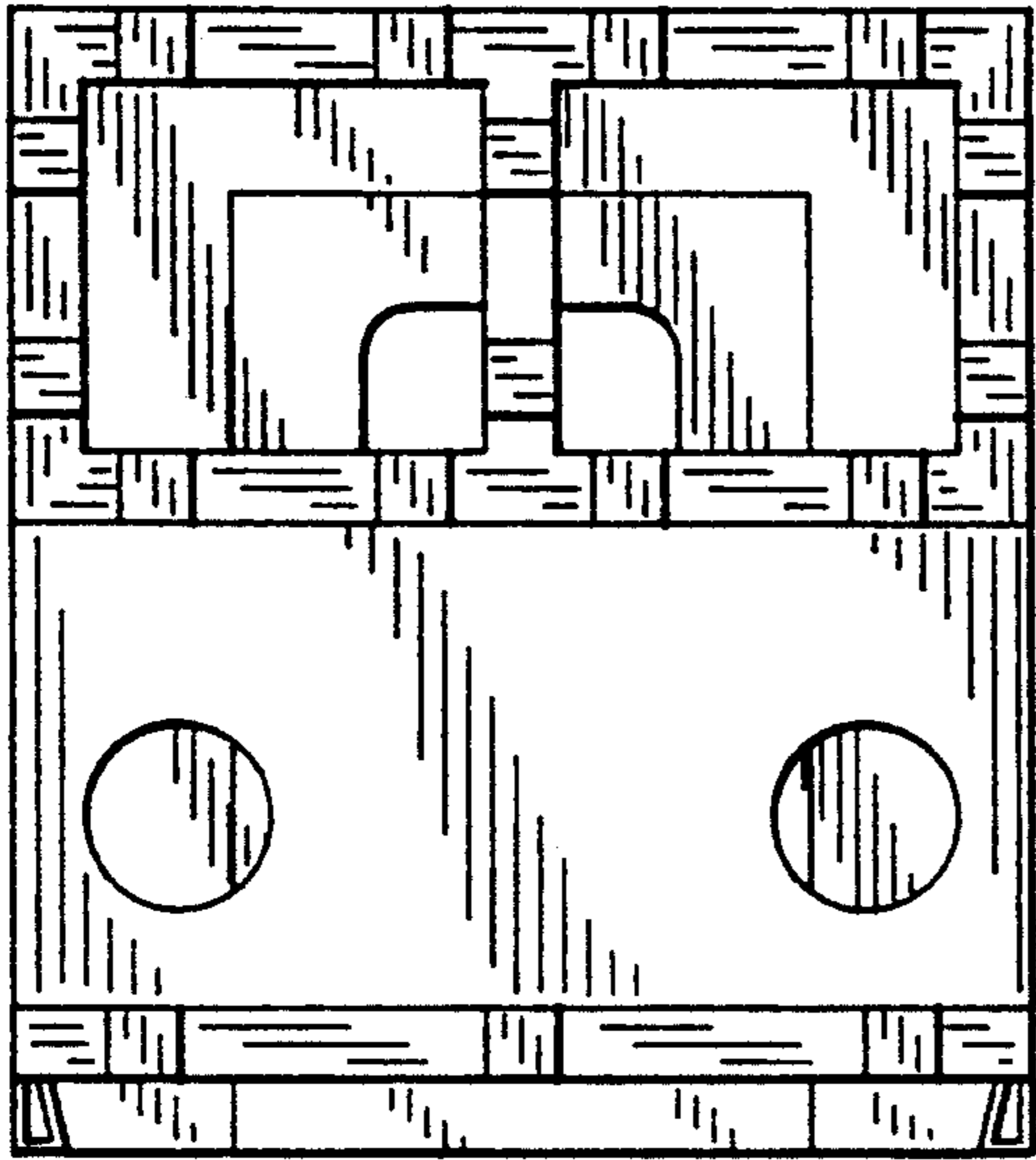


FIG. 3

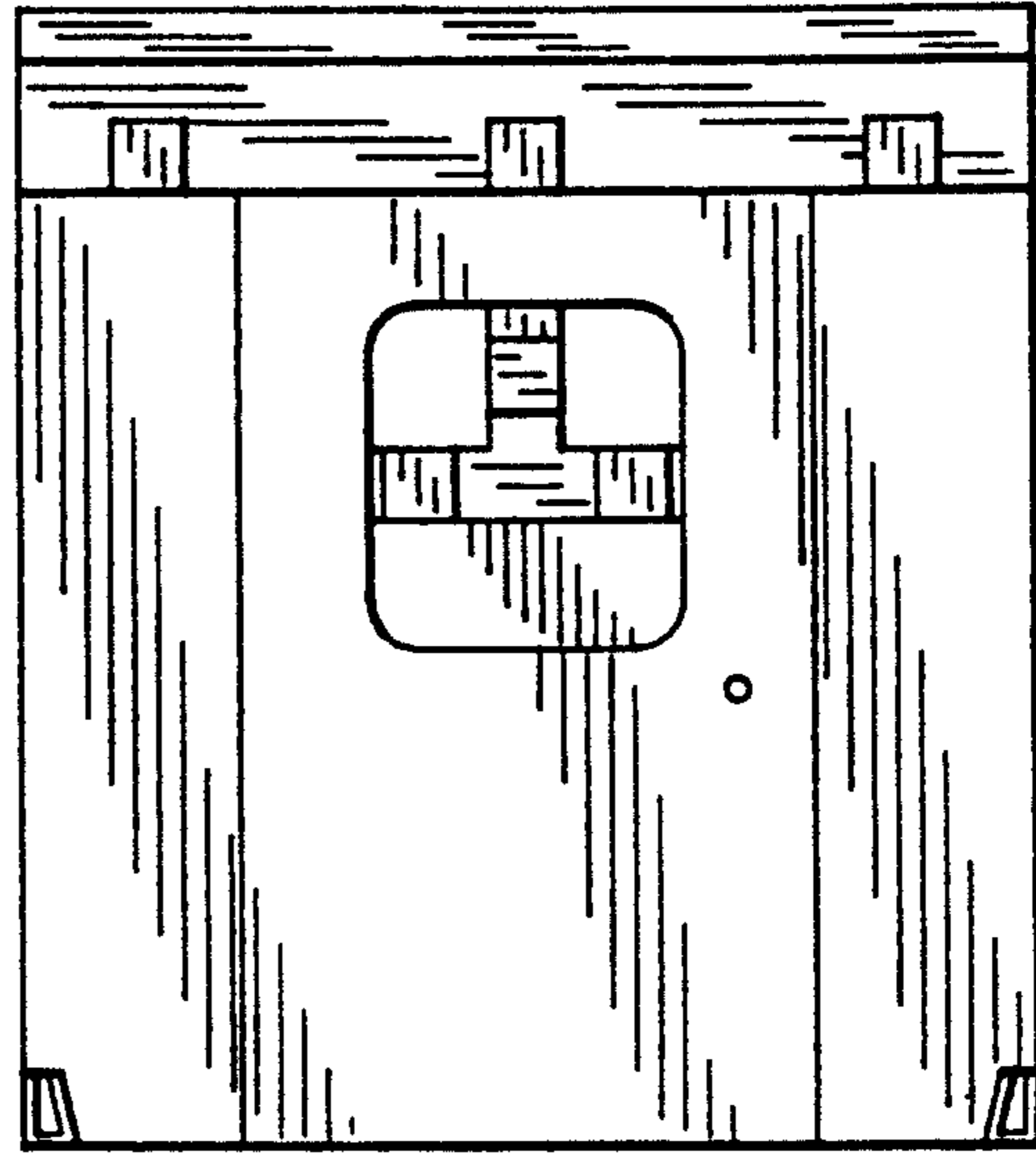


FIG. 4

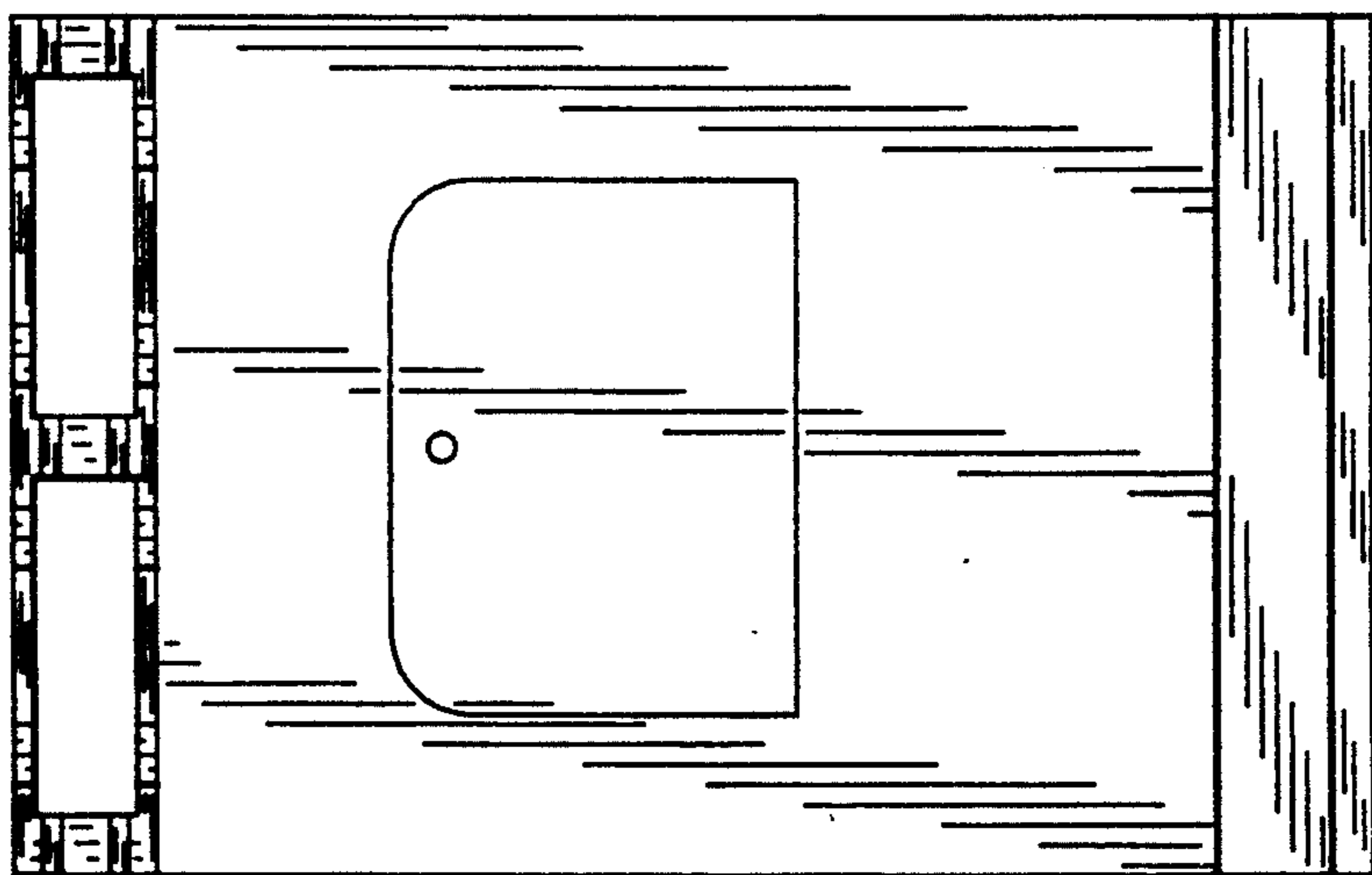


FIG. 5