



US00D334215S

United States Patent [19]

[11] Patent Number: Des. 334,215

Rowlands

[45] Date of Patent: ** Mar. 23, 1993

[54] ROTATABLE DISPLAY STAND

- [75] Inventor: Martyn O. Rowlands, Epping, England
- [73] Assignee: A C Edwards PLC, Waltham Cross, England
- [**] Term: 14 Years
- [21] Appl. No.: 568,328
- [22] Filed: Aug. 16, 1990

[30] Foreign Application Priority Data

- Feb. 16, 1990 [GB] United Kingdom 2004754
- [52] U.S. Cl. D20/21; D6/455; D20/41
- [58] Field of Search D6/396, 449, 470, 455, D6/457-461, 471; D20/10, 21, 41; 40/624, 603, 606, 607; 211/13, 163

[56] References Cited

U.S. PATENT DOCUMENTS

- D. 233,087 10/1974 Martin D6/471 X
- D. 245,048 7/1977 Pool D6/455
- D. 275,969 10/1984 Bowers D6/470
- D. 286,829 11/1986 Yeranossian D6/396
- D. 303,884 10/1989 Yeranossian D6/455
- D. 305,778 1/1990 Caulk D20/21
- D. 310,389 9/1990 Trewarn D20/21 X
- D. 324,790 3/1992 Krautsack D6/449 X
- 2,710,472 6/1955 Leander D20/21 X

Primary Examiner—Alan P. Douglas
 Assistant Examiner—Jeffrey Asch
 Attorney, Agent, or Firm—Oblon, Spivak, McClelland, Maier & Neustadt

[57] CLAIM

The ornamental design for a rotatable display stand, as shown and described.

DESCRIPTION

FIG. 1 is a perspective view of a rotatable display stand showing my new design;
 FIG. 2 is a side elevational view, the opposite side being a mirror image thereof;
 FIG. 3 is a front elevational view, the rear being a mirror image thereof;
 FIG. 4 is a top plan view thereof;
 FIG. 5 is a bottom plan view thereof;
 FIG. 6 is a cross-sectional view taken along line X—X of FIG. 3;
 FIG. 7 is a perspective view of a second embodiment of that shown in FIG. 1;
 FIG. 8 is a front elevational view, the rear being a mirror image thereof;
 FIG. 9 is a side elevational view, the opposite side being a mirror image thereof;
 FIG. 10 is a top plan view thereof;
 FIG. 11 is a bottom plan view thereof; and,
 FIG. 12 is a cross-sectional view taken along line X—X of FIG. 8.

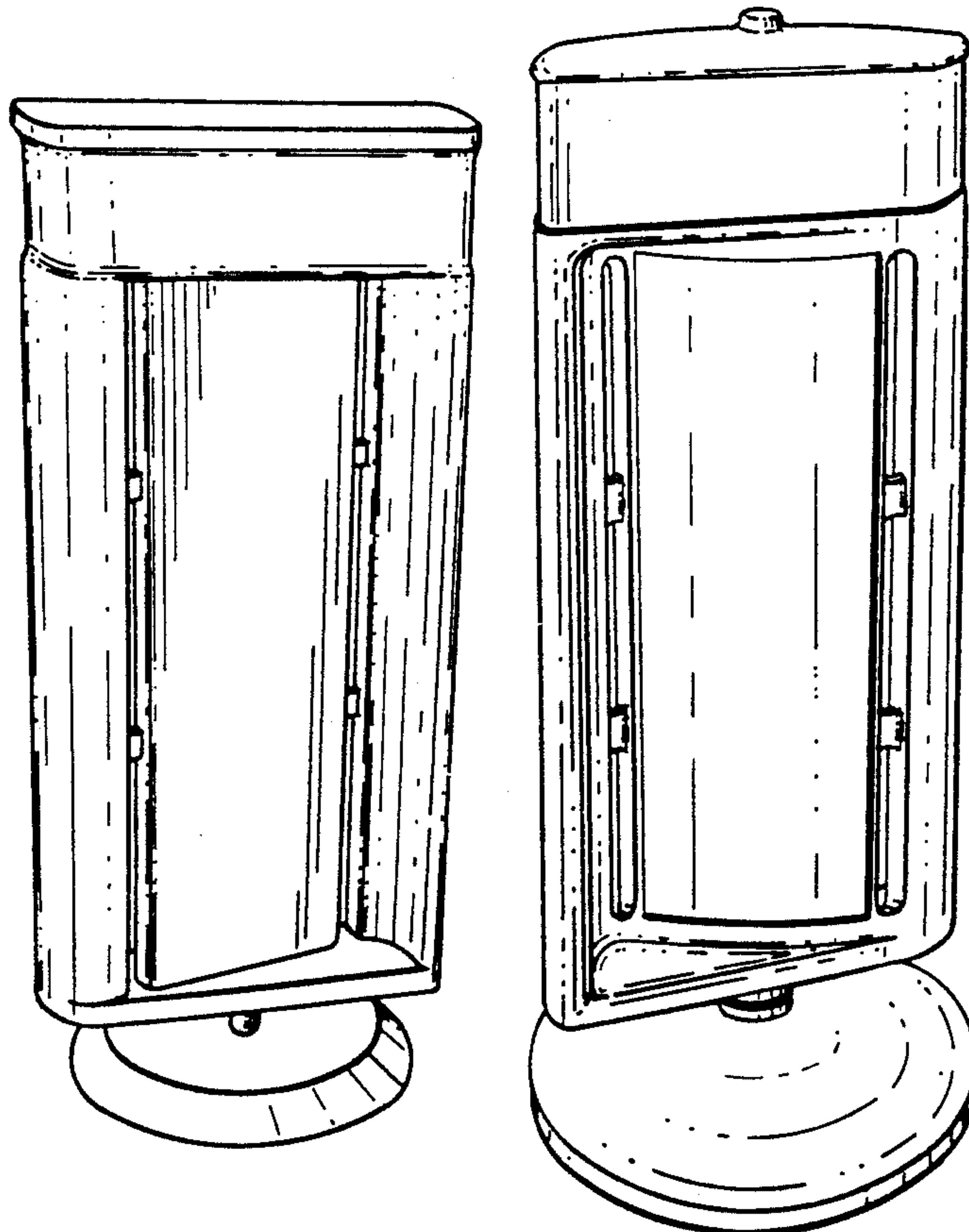


FIG. 1

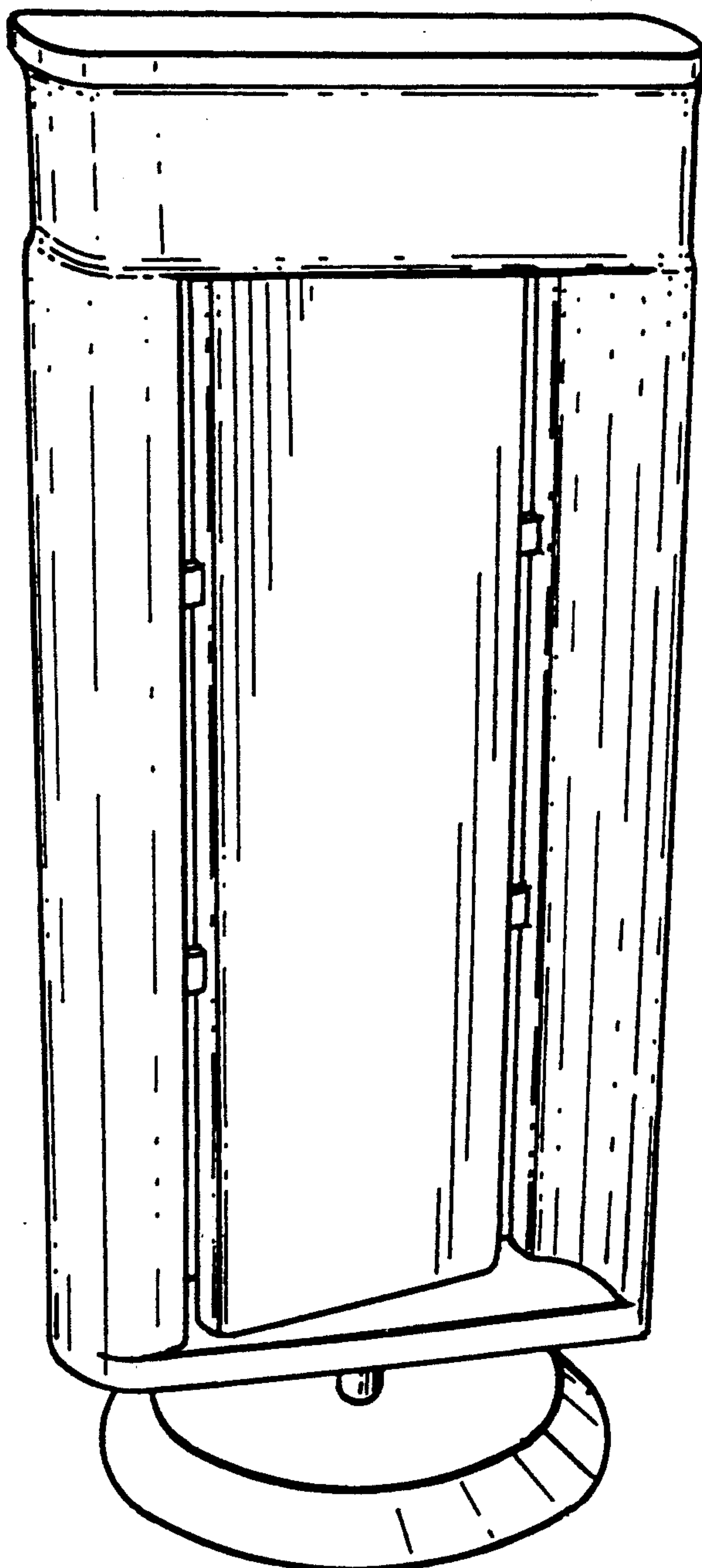


FIG. 2

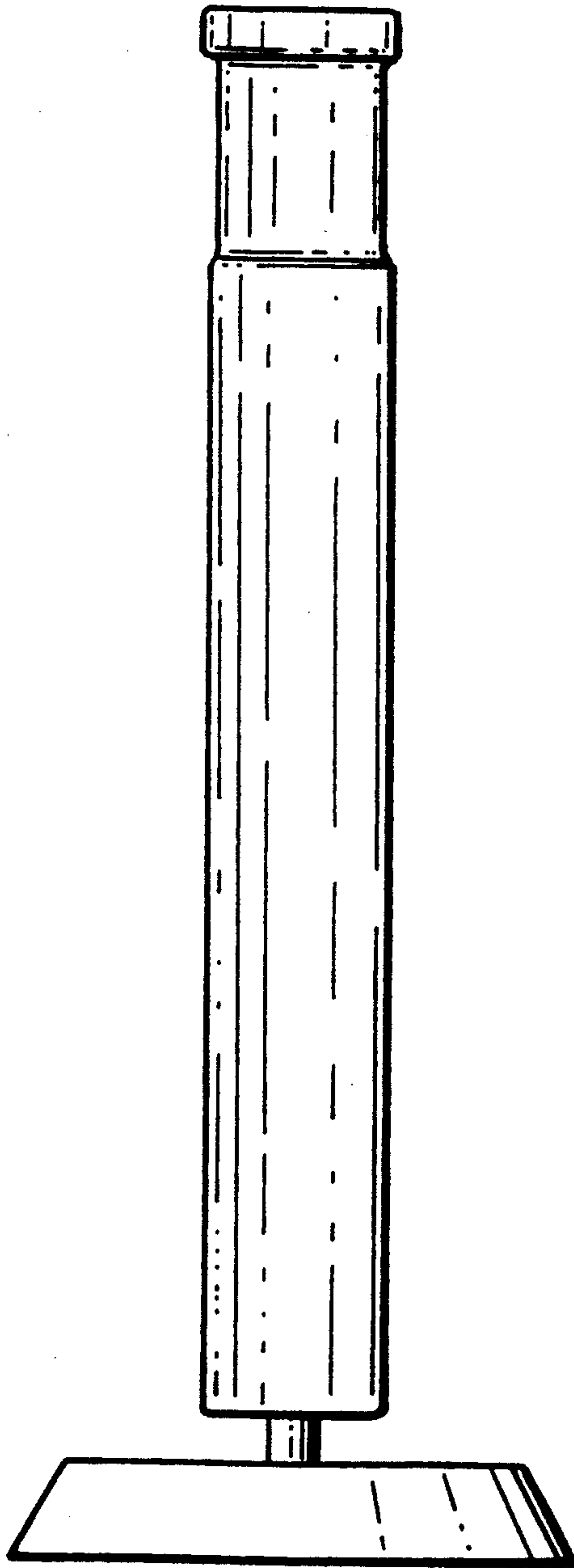


FIG. 3

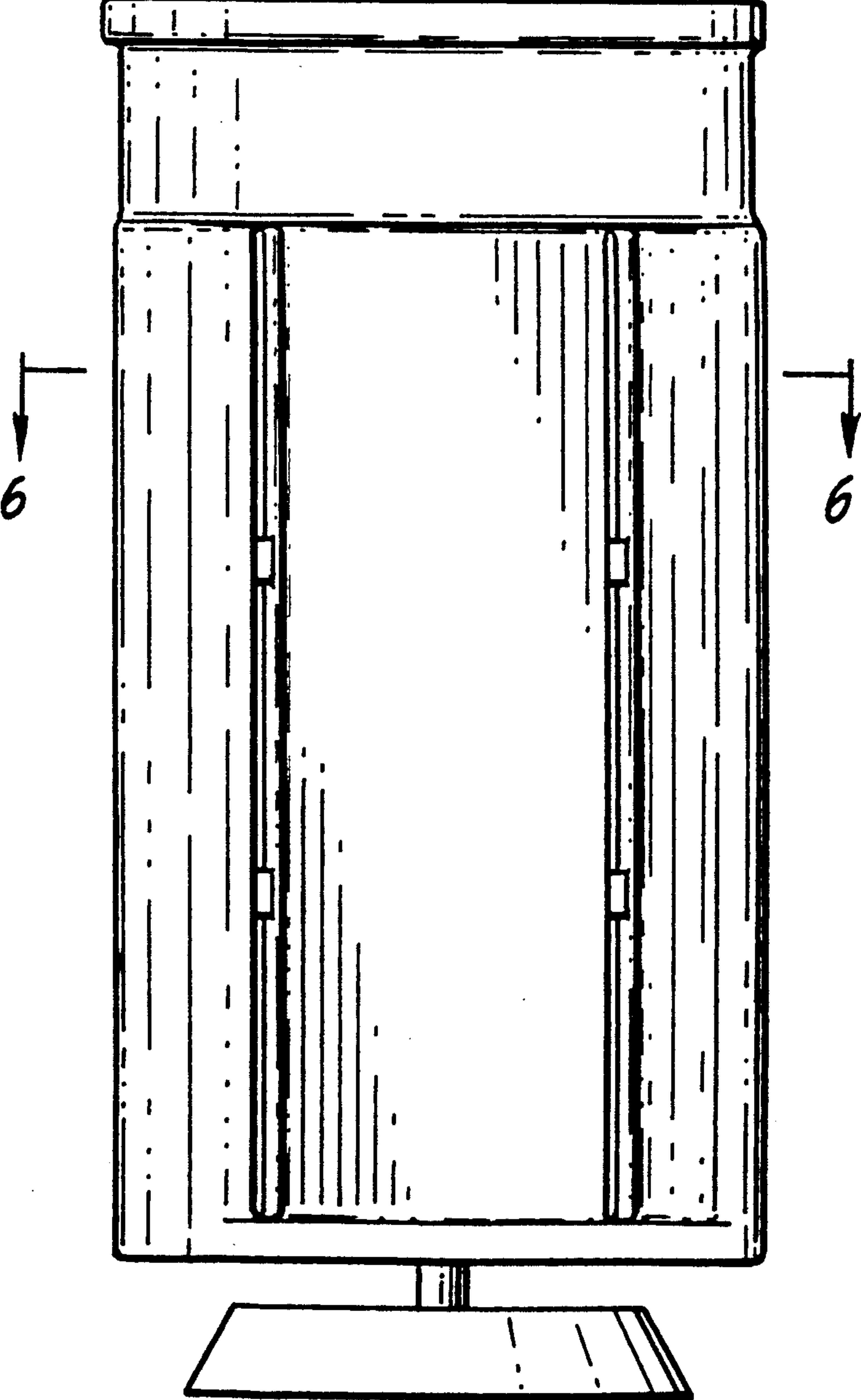


FIG.4

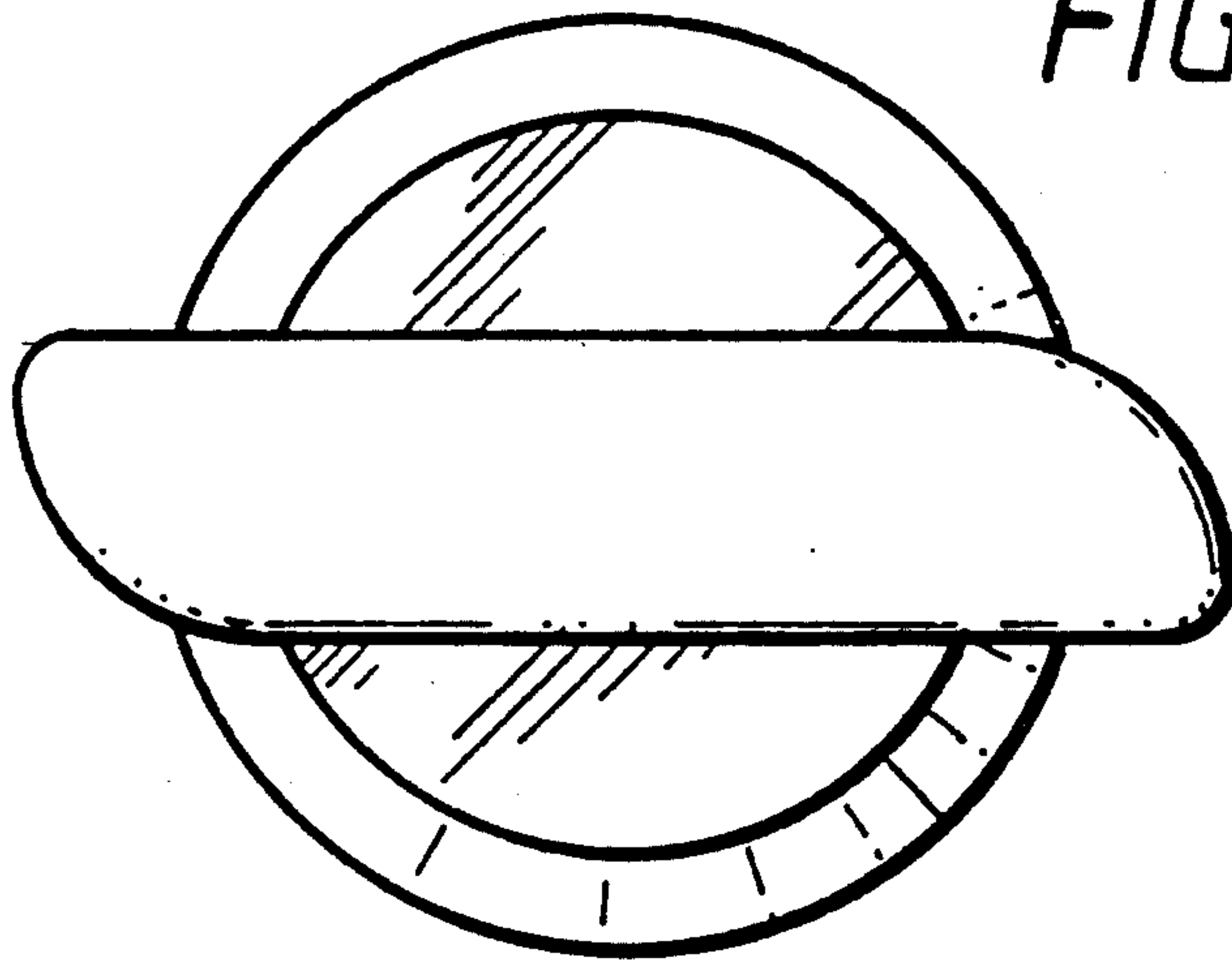


FIG.5

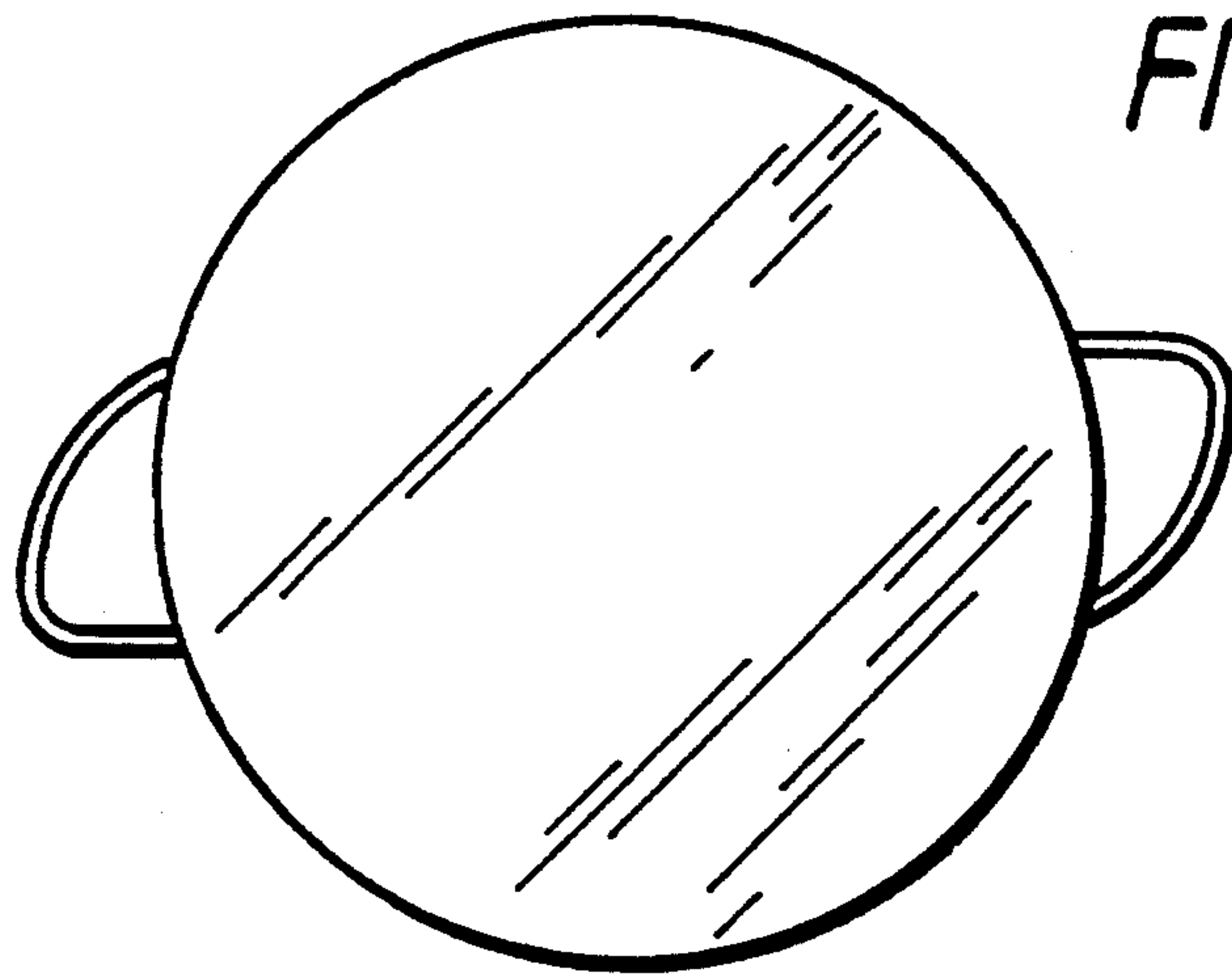


FIG.6

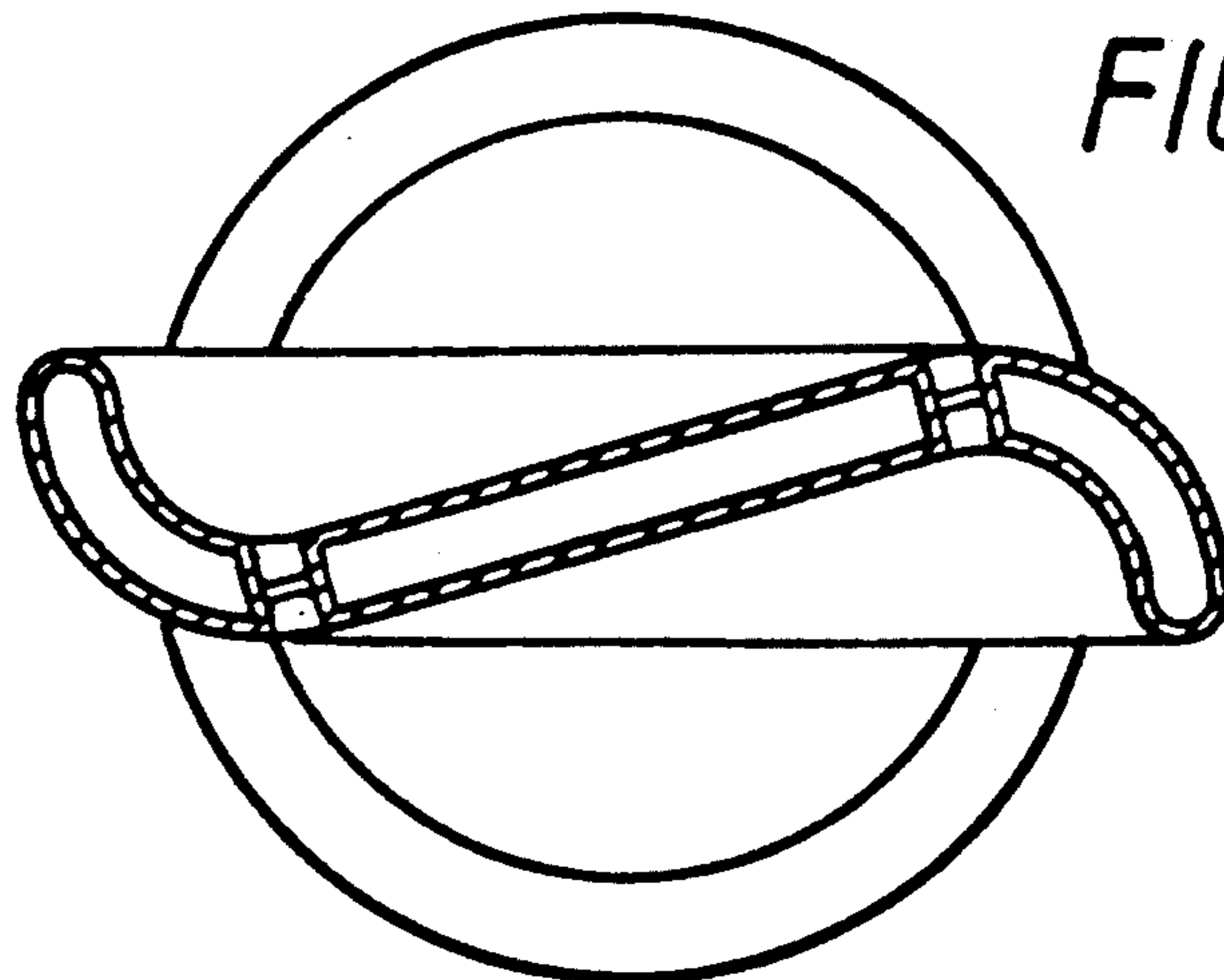


FIG. 7

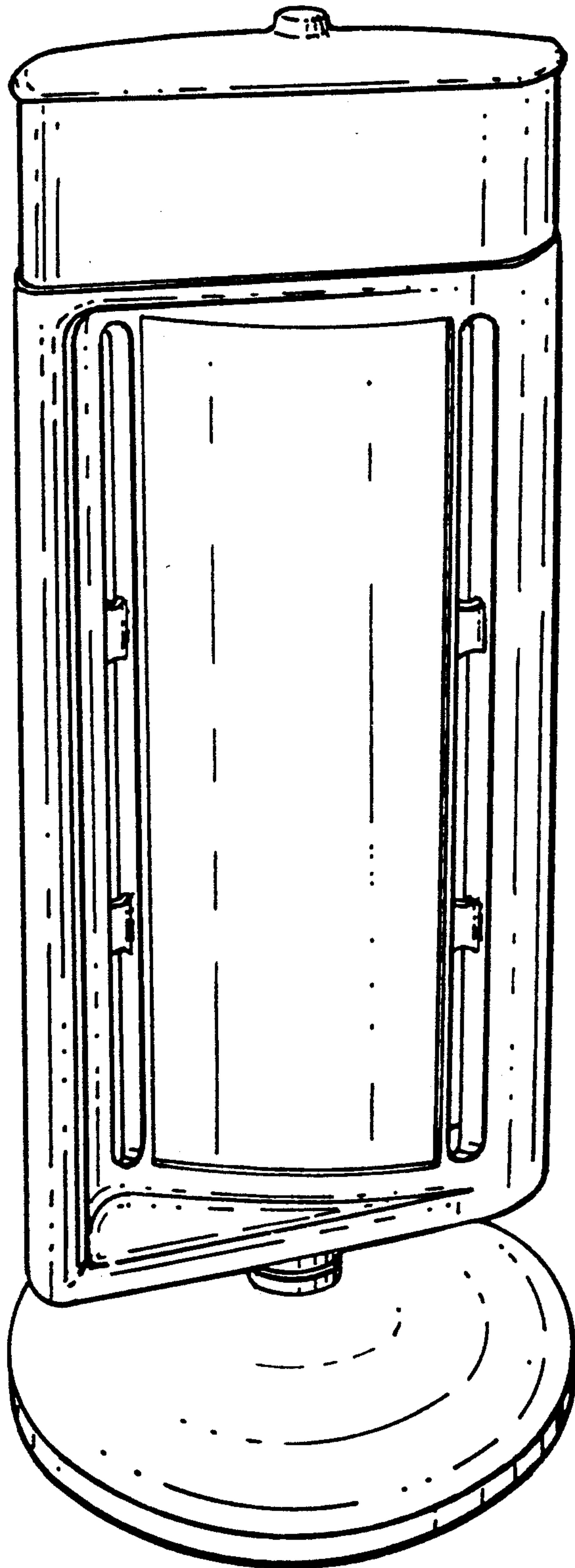


FIG. 8

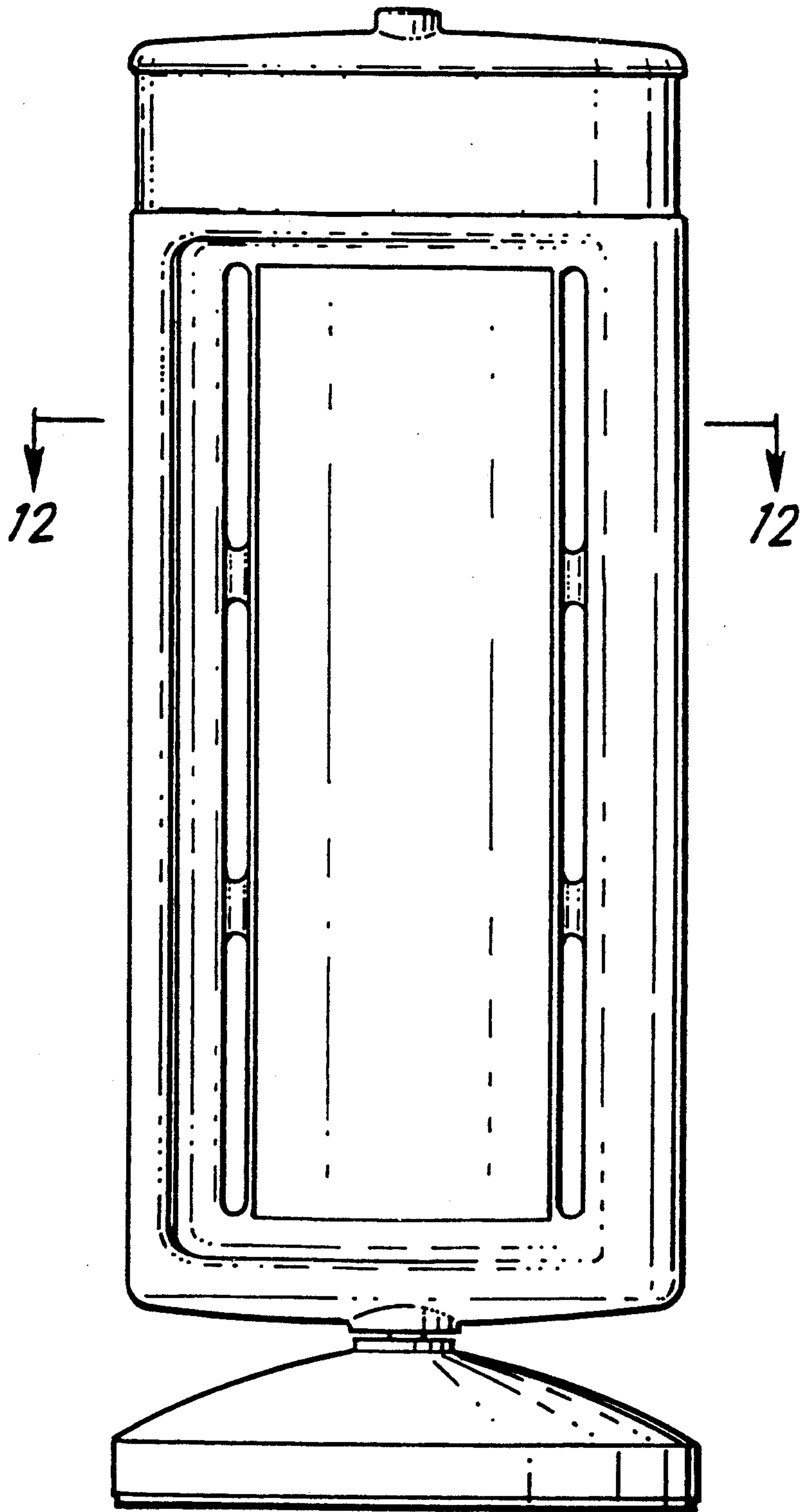


FIG. 9

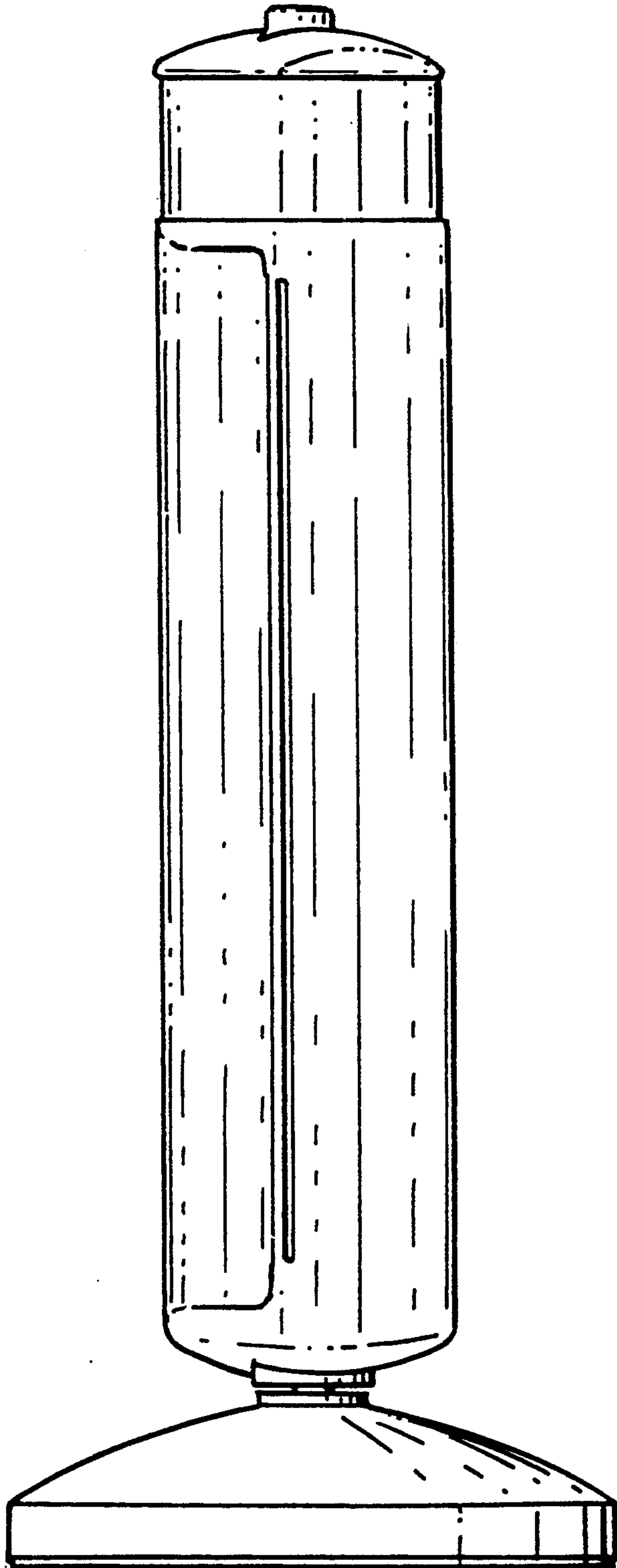


FIG. 10

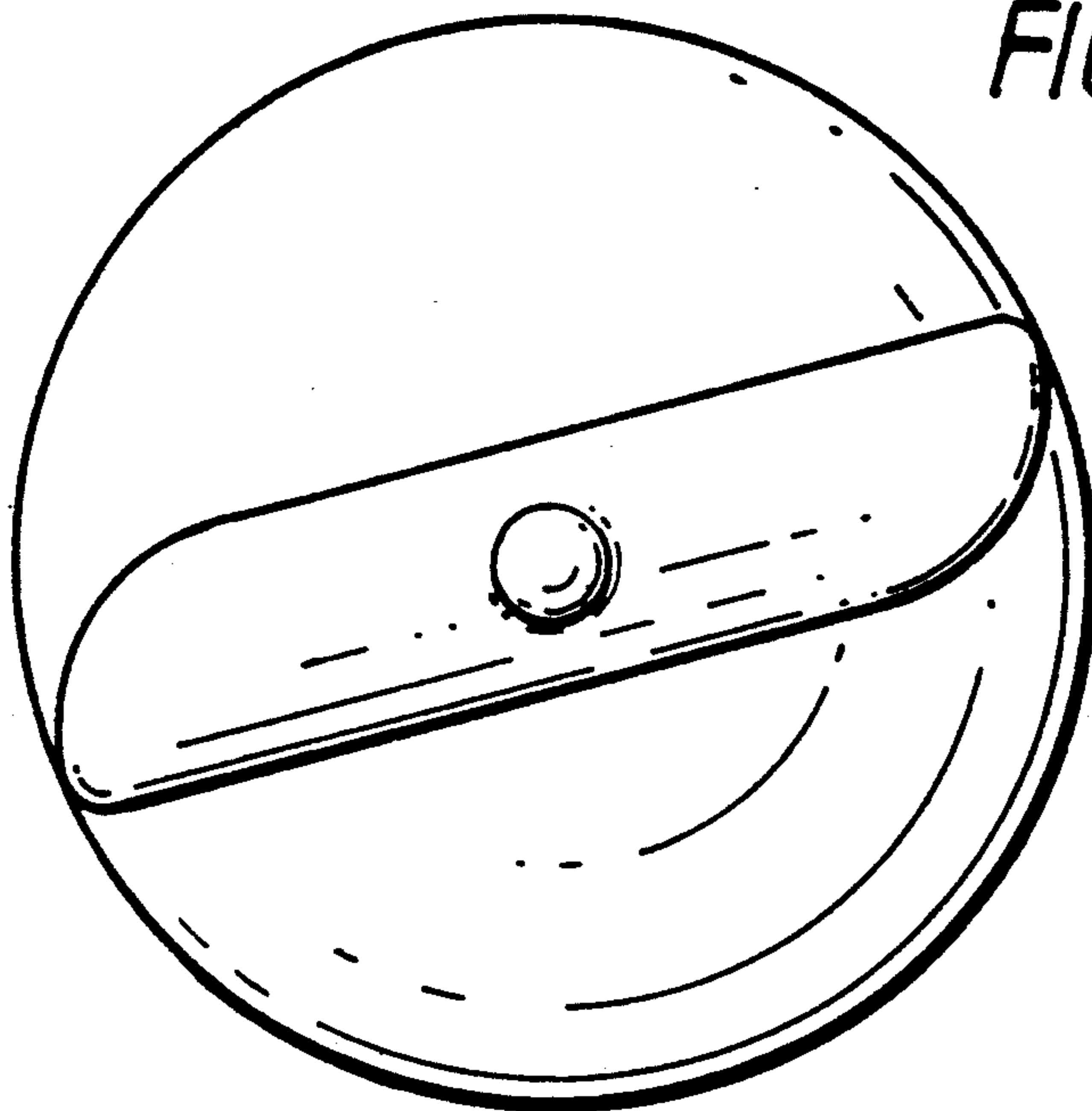


FIG. 11

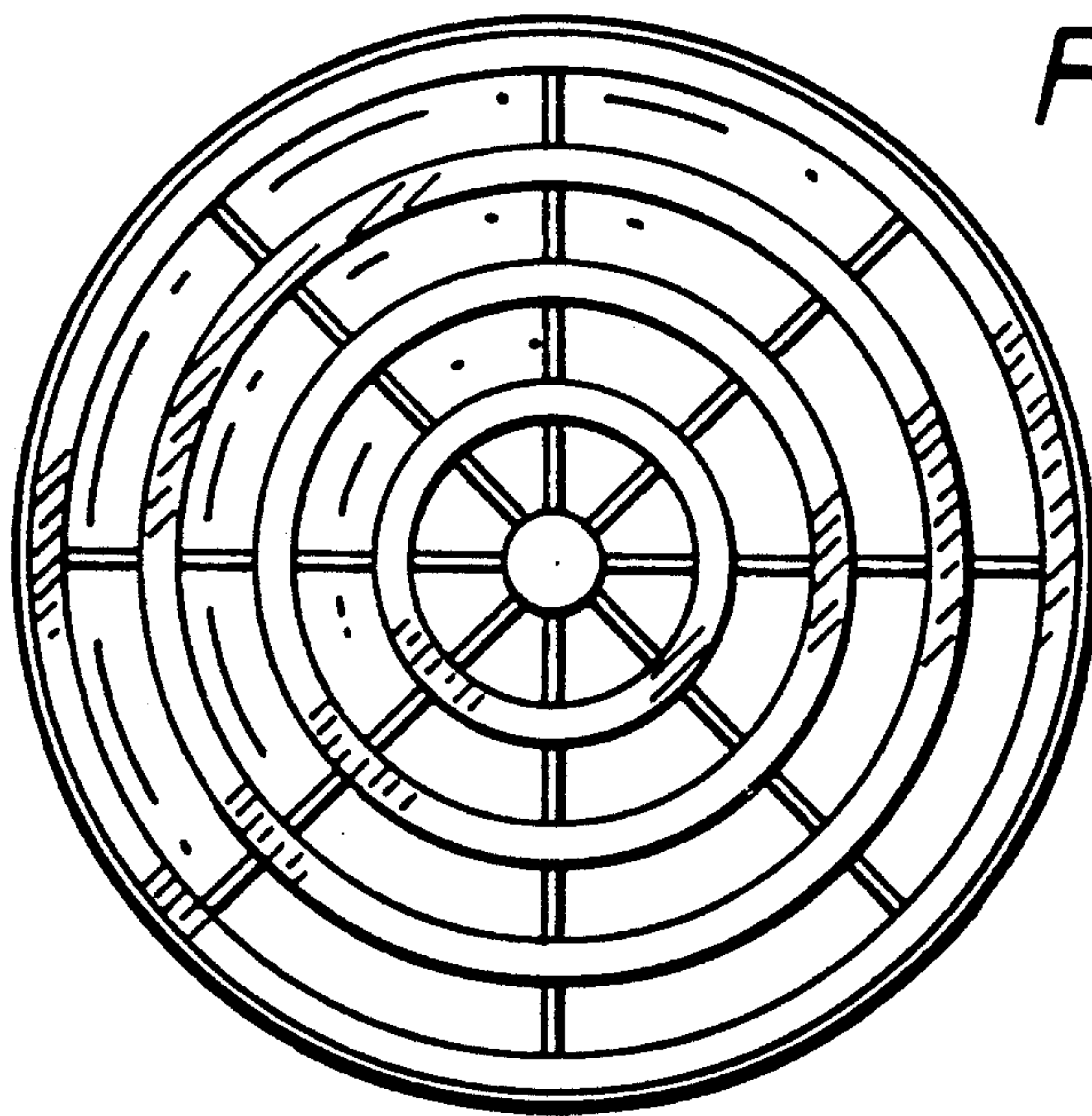


FIG. 12

