



US00D334208S

# United States Patent [19]

[11] Patent Number: Des. 334,208

Barbookles, Jr. et al.

[45] Date of Patent: \*\* Mar. 23, 1993

[54] **PORTABLE PRINTER**

4,700,906 10/1987 Lapadakis ..... D18/12  
4,734,710 3/1988 Sato et al. .... D18/50

[75] Inventors: **James Barbookles, Jr.**, Malden;  
**Jeffrey S. Cohen**, Wilmington; **Laura Brockway**, Charlestown; **Thomas Paquette**, Shrewsbury; **Paul Sydlowski**, Wakefield, all of Mass.

**OTHER PUBLICATIONS**

Glucometer 3 Diabetes Care System; Miles Inc. advertisement.

[73] Assignee: **Orion Research, Inc.**, Boston, Mass.

*Primary Examiner*—A. Hugo Word  
*Assistant Examiner*—Cathy Anne MacCormac  
*Attorney, Agent, or Firm*—Cesari and McKenna

[\*\*] Term: **14 Years**

[21] Appl. No.: **521,536**

[57] **CLAIM**

[22] Filed: **May 10, 1990**

[52] U.S. Cl. .... **D18/50; D18/54**

The ornamental design for a portable printer, as shown.

[58] Field of Search ..... **D18/5, 6, 11, 7, 12, D18/50, 54-55; 400/691-694, 613, 613.1-613.4, 624; 101/93; 346/145**

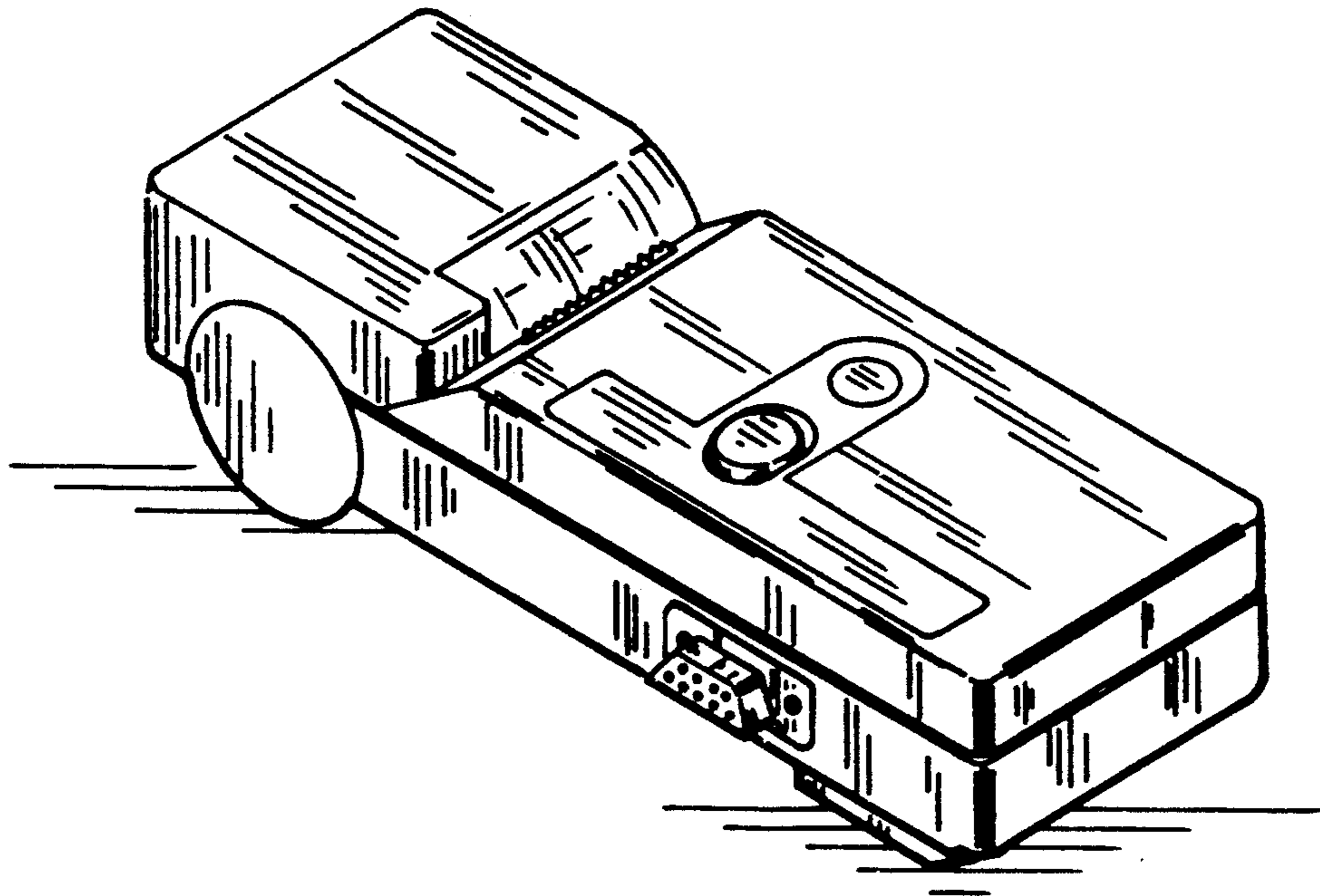
**DESCRIPTION**

[56] **References Cited**

**U.S. PATENT DOCUMENTS**

D. 164,254	8/1951	Nathan	.....	D18/50
D. 237,622	11/1975	Oyama	.....	D18/11
D. 264,978	6/1982	Ohno	.....	D18/54
D. 273,953	5/1984	Lahey	.....	D18/55
D. 283,138	3/1986	Hamar	.....	D18/11
D. 292,709	11/1987	Kosako	.....	D18/54
D. 309,152	7/1990	Sakaguchi et al.	.....	D18/7
4,492,345	1/1985	Bakkar	.....	D18/12

FIG. 1 is a perspective view of a portable printer showing our new design;  
FIG. 2 is a left side elevational view thereof;  
FIG. 3 is a bottom plan view thereof;  
FIG. 4 is a right side elevational view thereof;  
FIG. 5 is a rear elevational view thereof;  
FIG. 6 is a front elevational view thereof; and,  
FIG. 7 is an enlarged fragmentary perspective view of FIG. 1 showing the cover in open position.  
The broken lines in FIG. 7 are for purposes of illustration only and form no part of the claimed design.



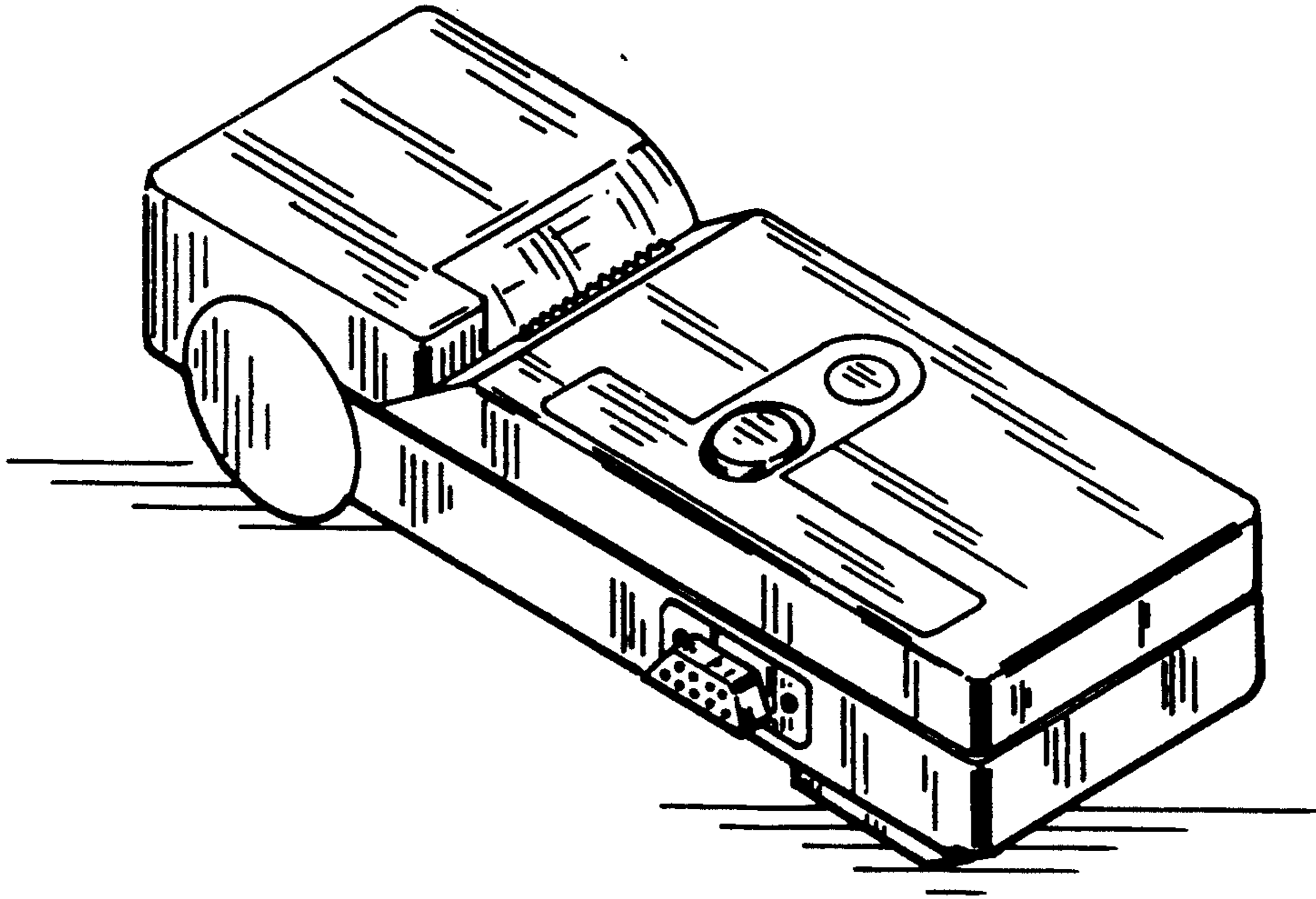


FIG. 1

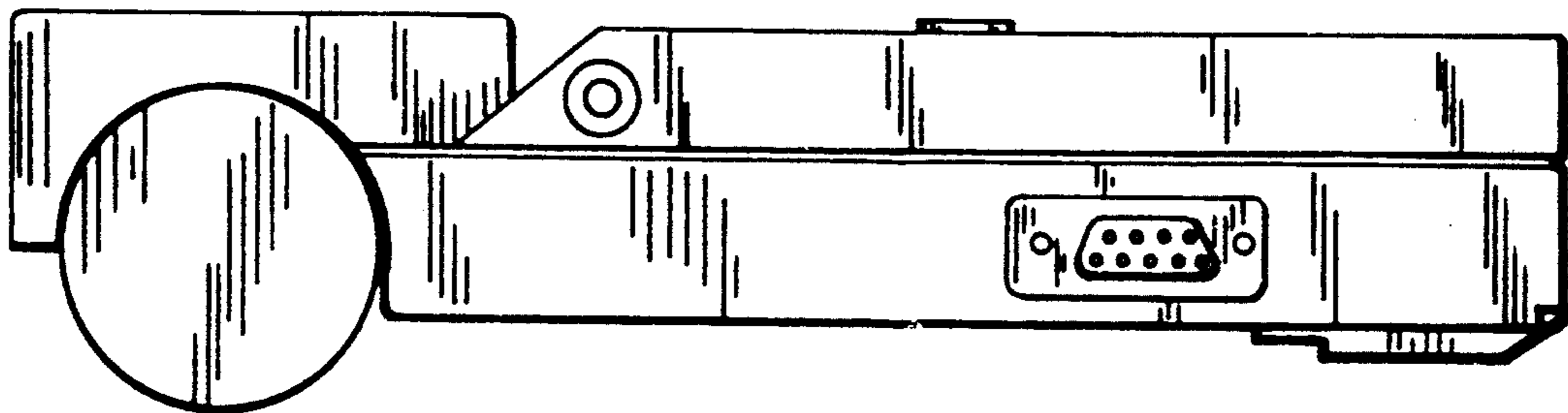


FIG. 2

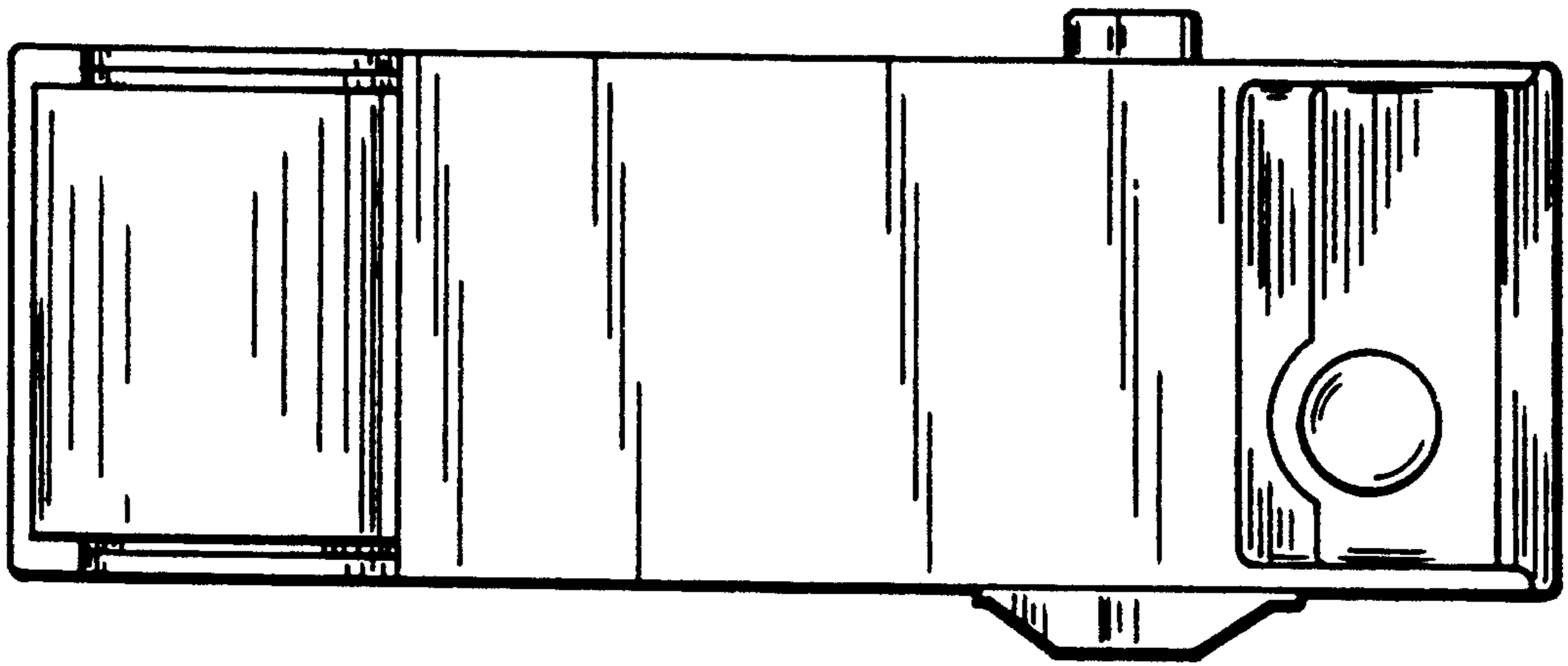


FIG. 3

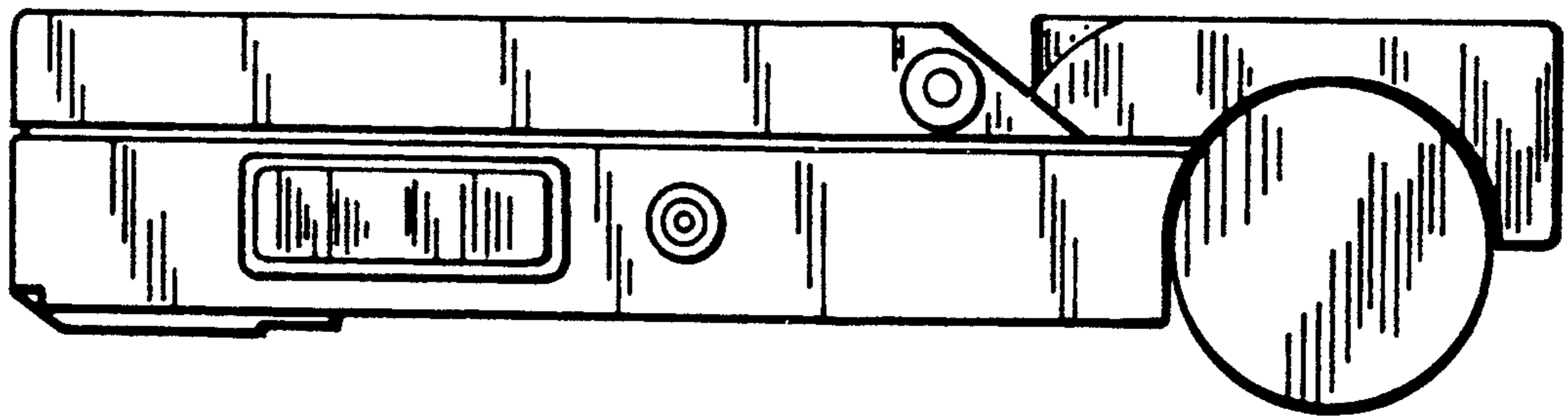


FIG. 4

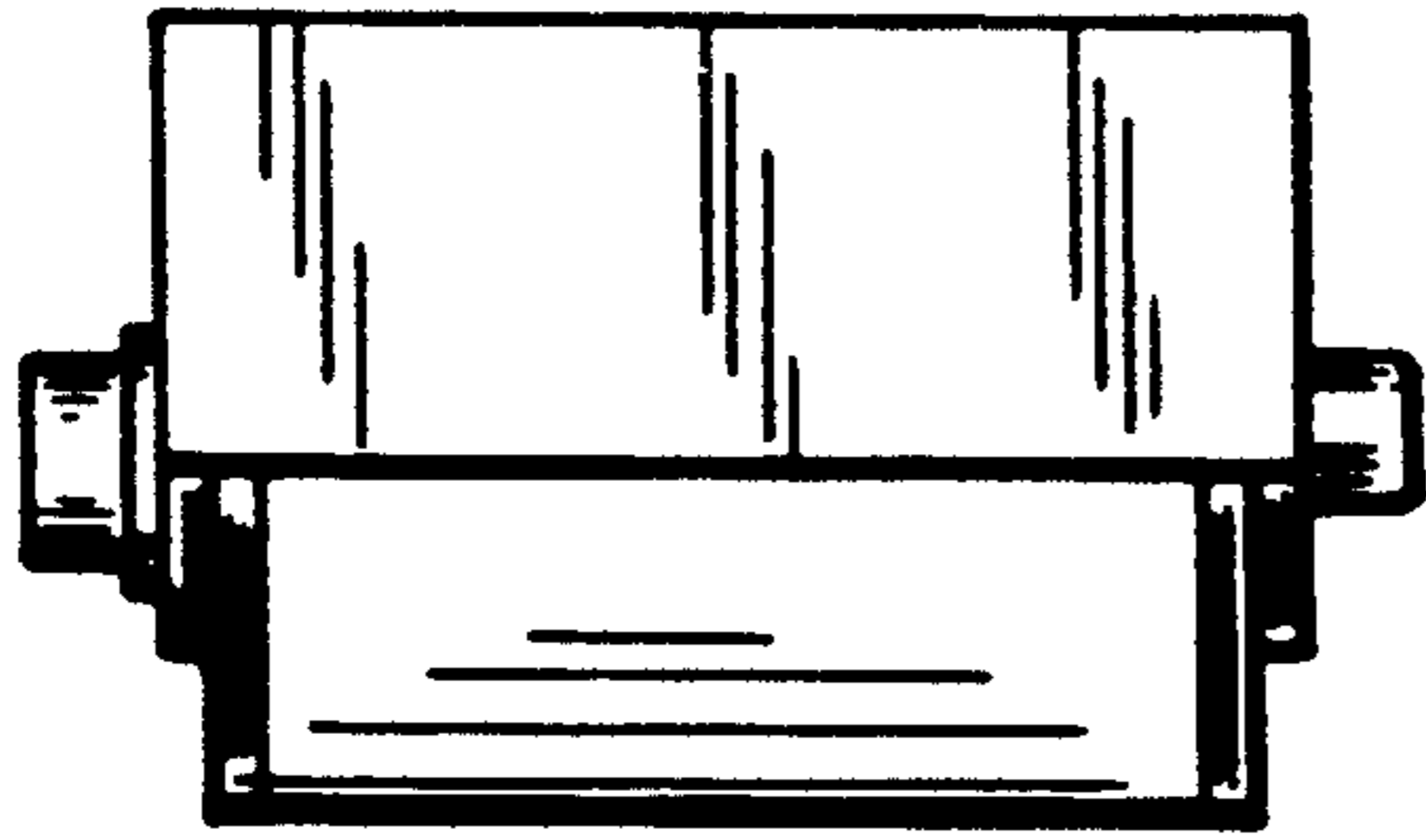


FIG. 5

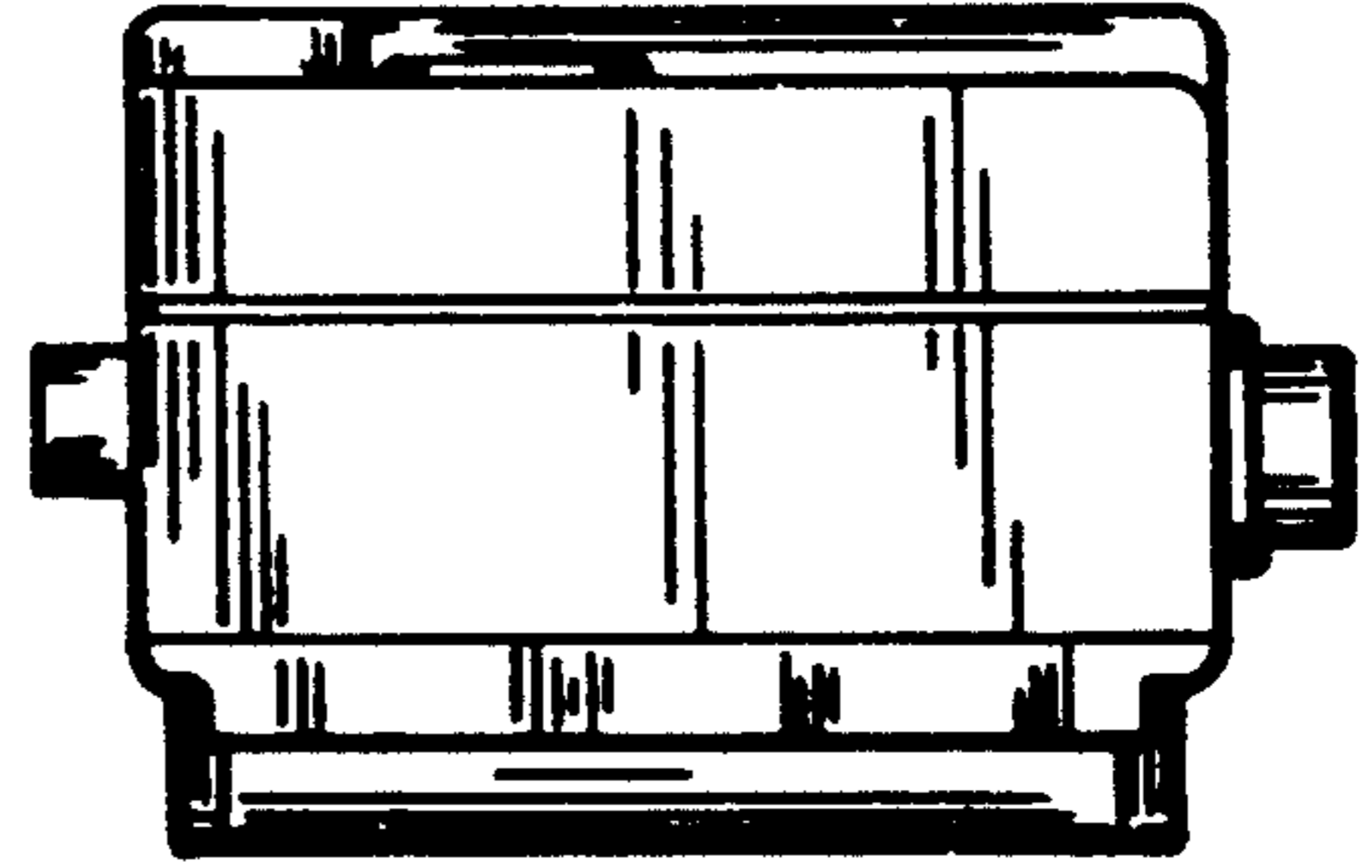


FIG. 6

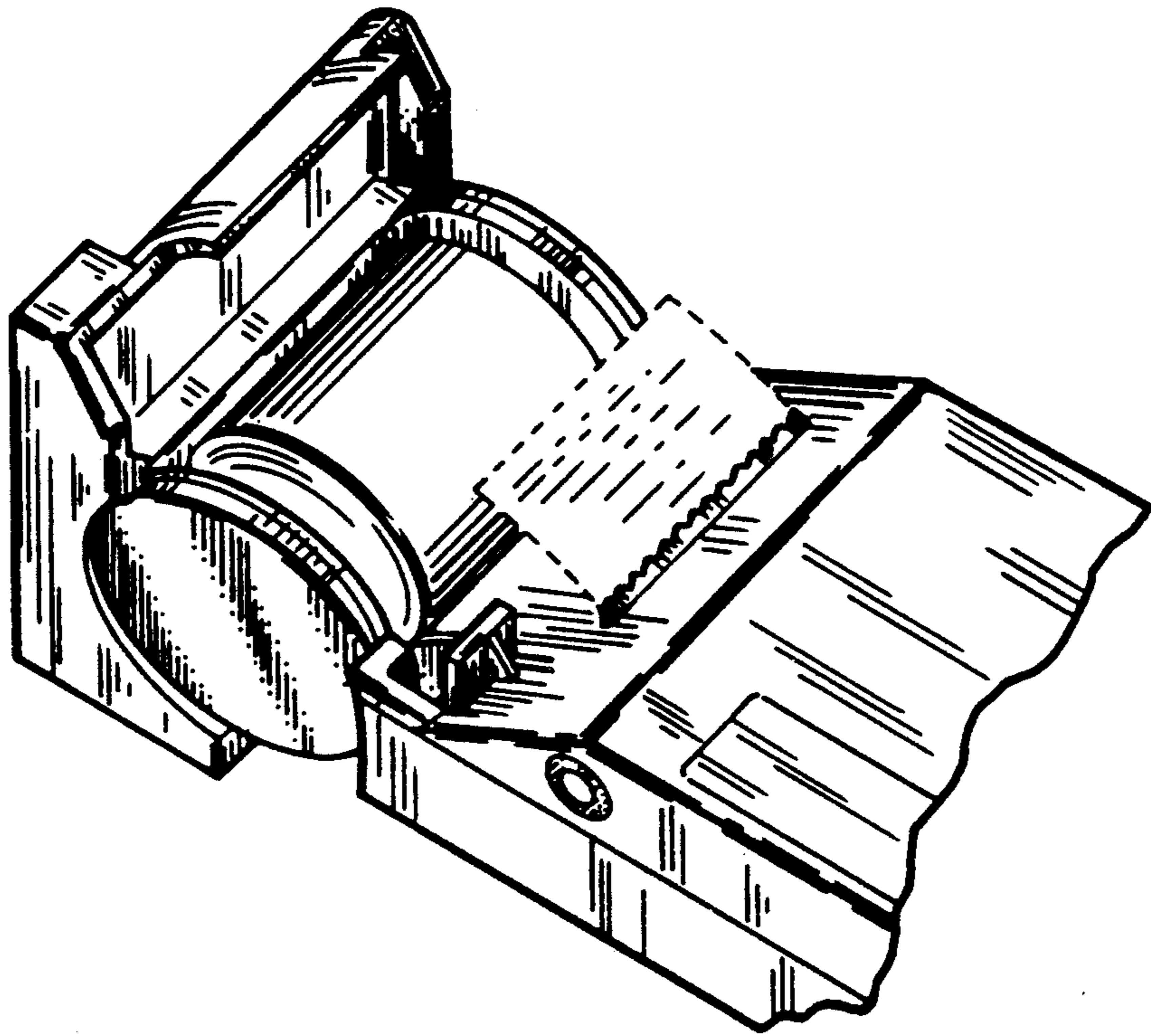


FIG. 7