



US00D334205S

# United States Patent [19]

[11] Patent Number: **Des. 334,205**

**Ratzlaff**

[45] Date of Patent: **\*\* Mar. 23, 1993**

[54] **COPIER**

[75] Inventor: **Jorg Ratzlaff**, Altensteig, Fed. Rep. of Germany

[73] Assignee: **Sharp Kabushiki Kaisha**, Osaka, Japan

[\*\*] Term: **14 Years**

[21] Appl. No.: **802,751**

[22] Filed: **Dec. 6, 1991**

[52] U.S. Cl. .... **D18/39; D18/36**

[58] Field of Search ..... **D18/36-39, D18/50, 53; D14/111, 112, 116, 118; 355/43-45, 49-51, 66, 112, 200, 210, 231-236, 245, 326-328; 346/108, 153.1, 160; 354/5, 6, 14, 100**

[56] **References Cited**

**U.S. PATENT DOCUMENTS**

D. 286,885 11/1986 Okuyama et al. .... D18/36

D. 317,622 6/1991 Isomoto et al. .... D18/38  
D. 321,005 10/1991 Hiroki ..... D18/39  
D. 321,006 10/1991 Takahashi et al. .... D18/36

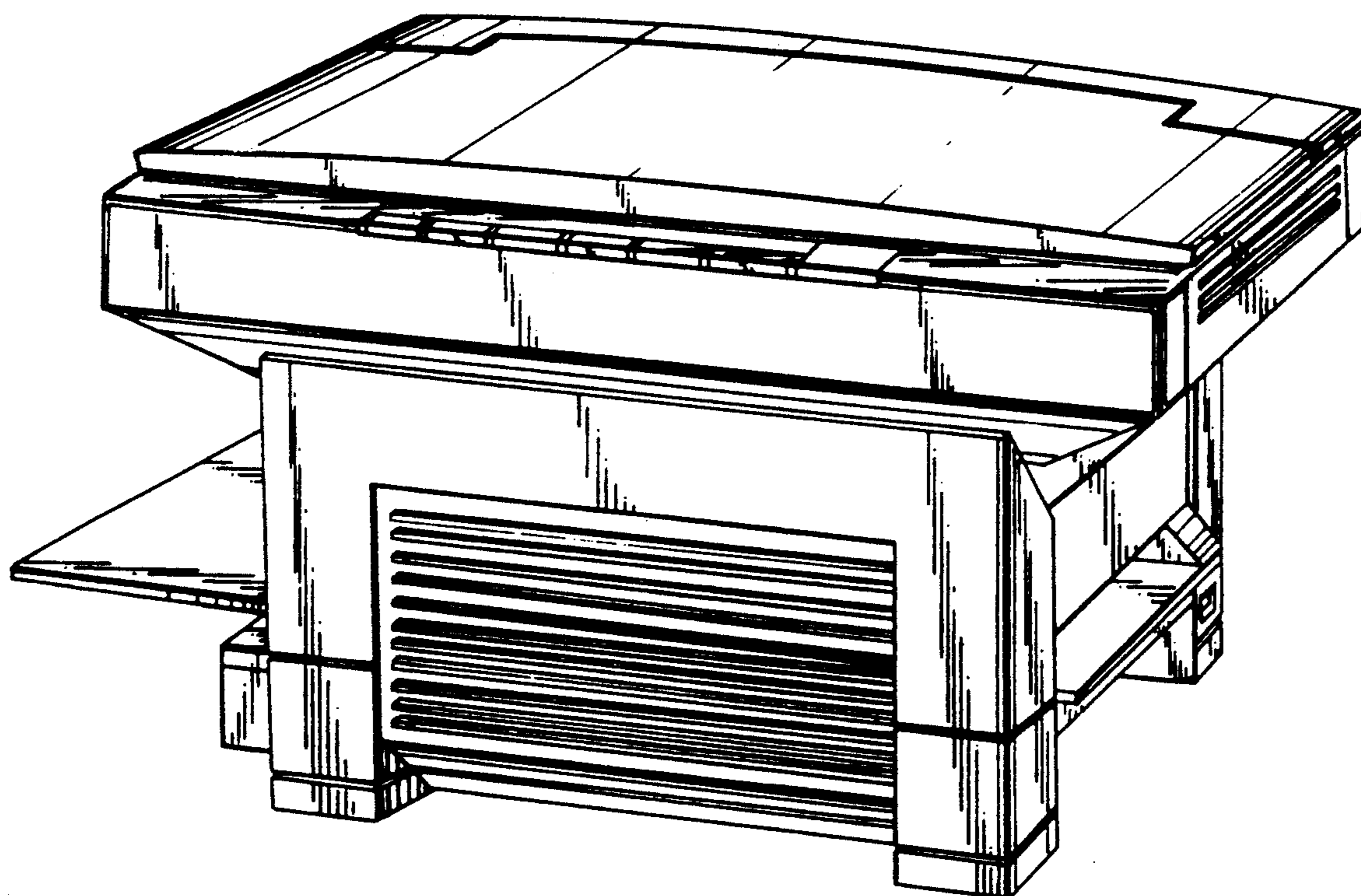
*Primary Examiner*—Alan P. Douglas  
*Assistant Examiner*—Ann Hunt  
*Attorney, Agent, or Firm*—Nixon & Vanderhye

[57] **CLAIM**

The ornamental design for a copier, as shown and described.

**DESCRIPTION**

FIG. 1 is a top, front and right side perspective view of a copier showing my new design;  
FIG. 2 is a front elevational view thereof;  
FIG. 3 is a top plan view thereof;  
FIG. 4 is a right side elevational view thereof;  
FIG. 5 is a left side elevational view thereof;  
FIG. 6 is a rear elevational view thereof;  
FIG. 7 is a bottom plan view thereof; and,  
FIG. 8 is a top, front and right side perspective view thereof, with the cover in an open position.



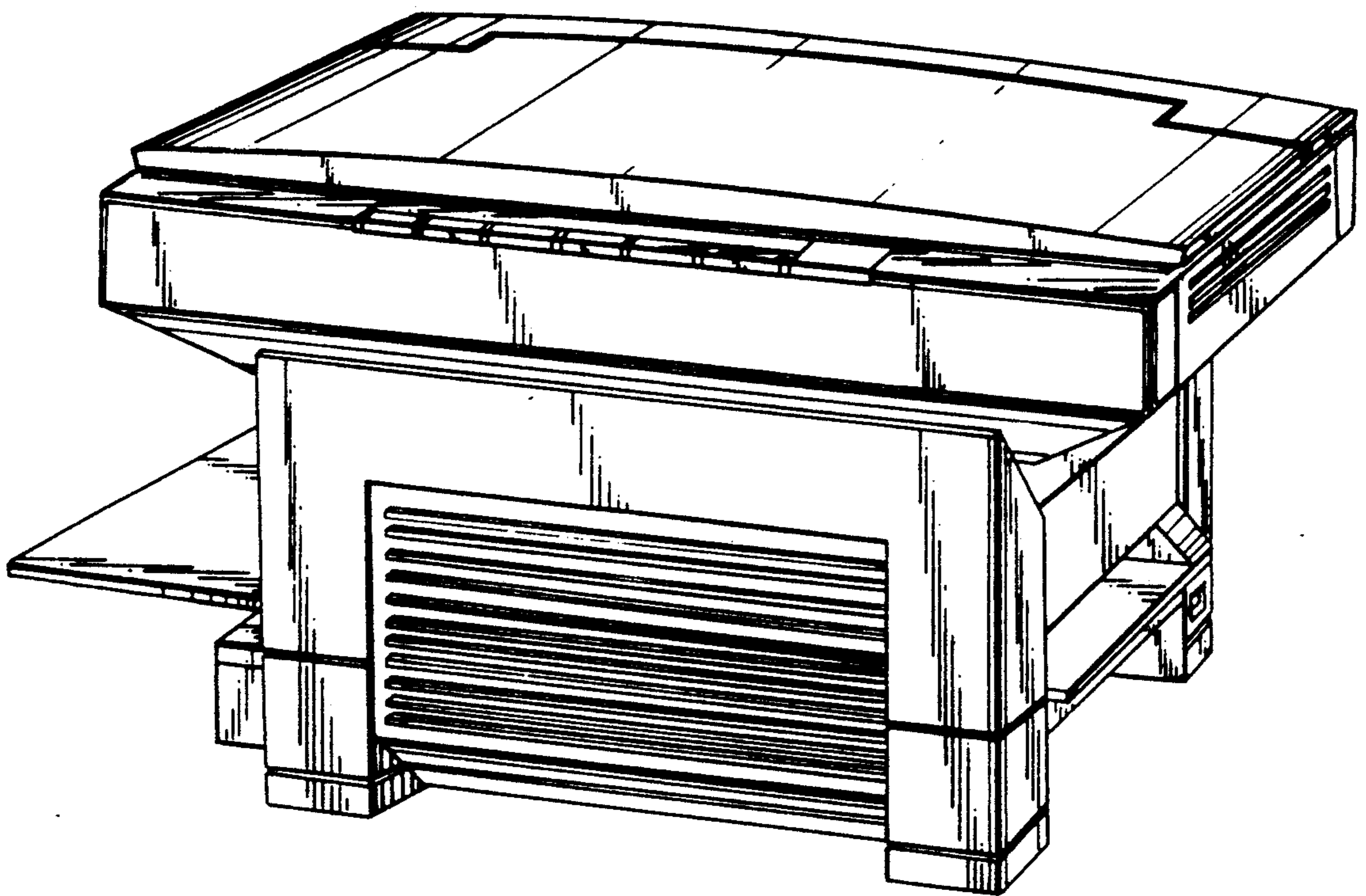


FIG. 1

FIG. 2

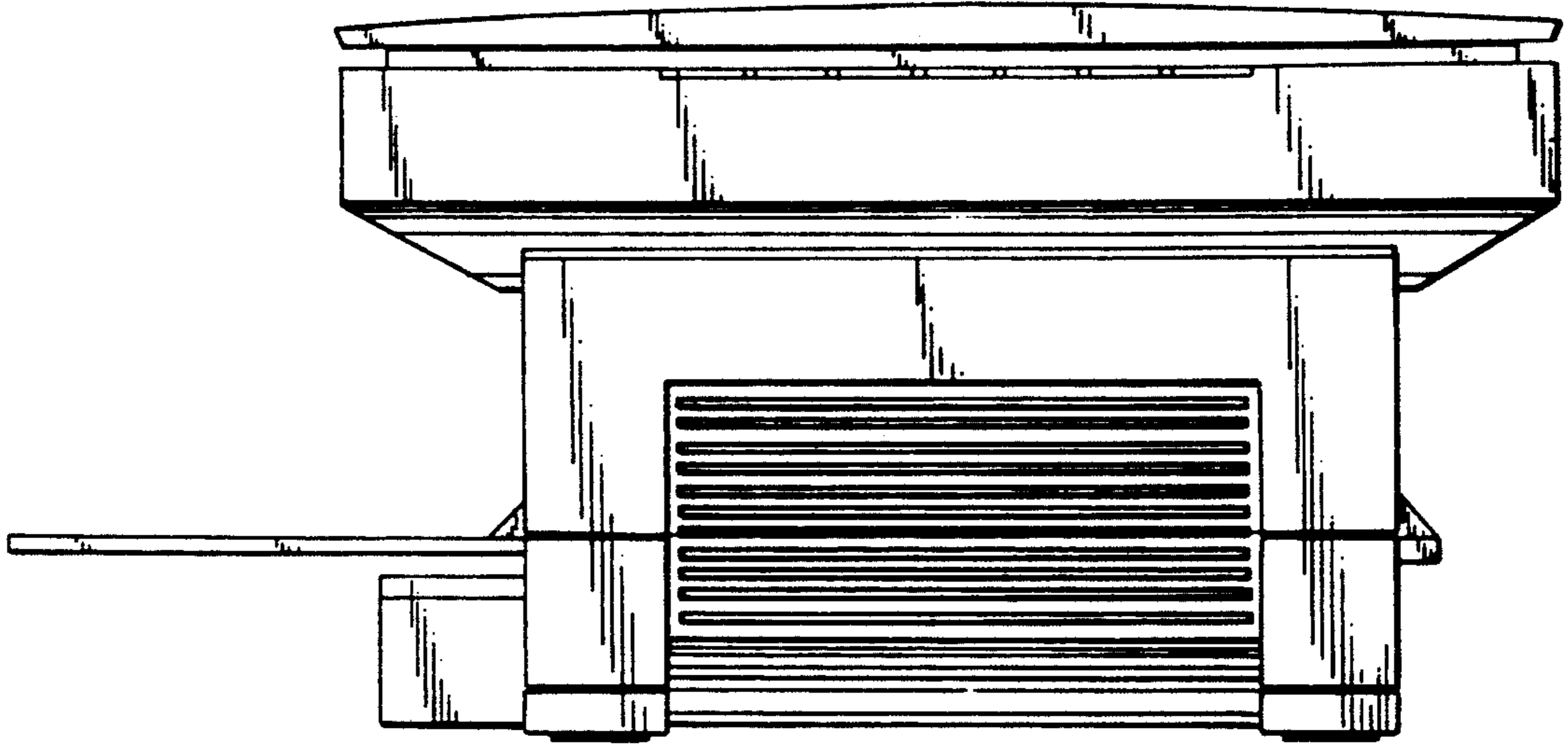
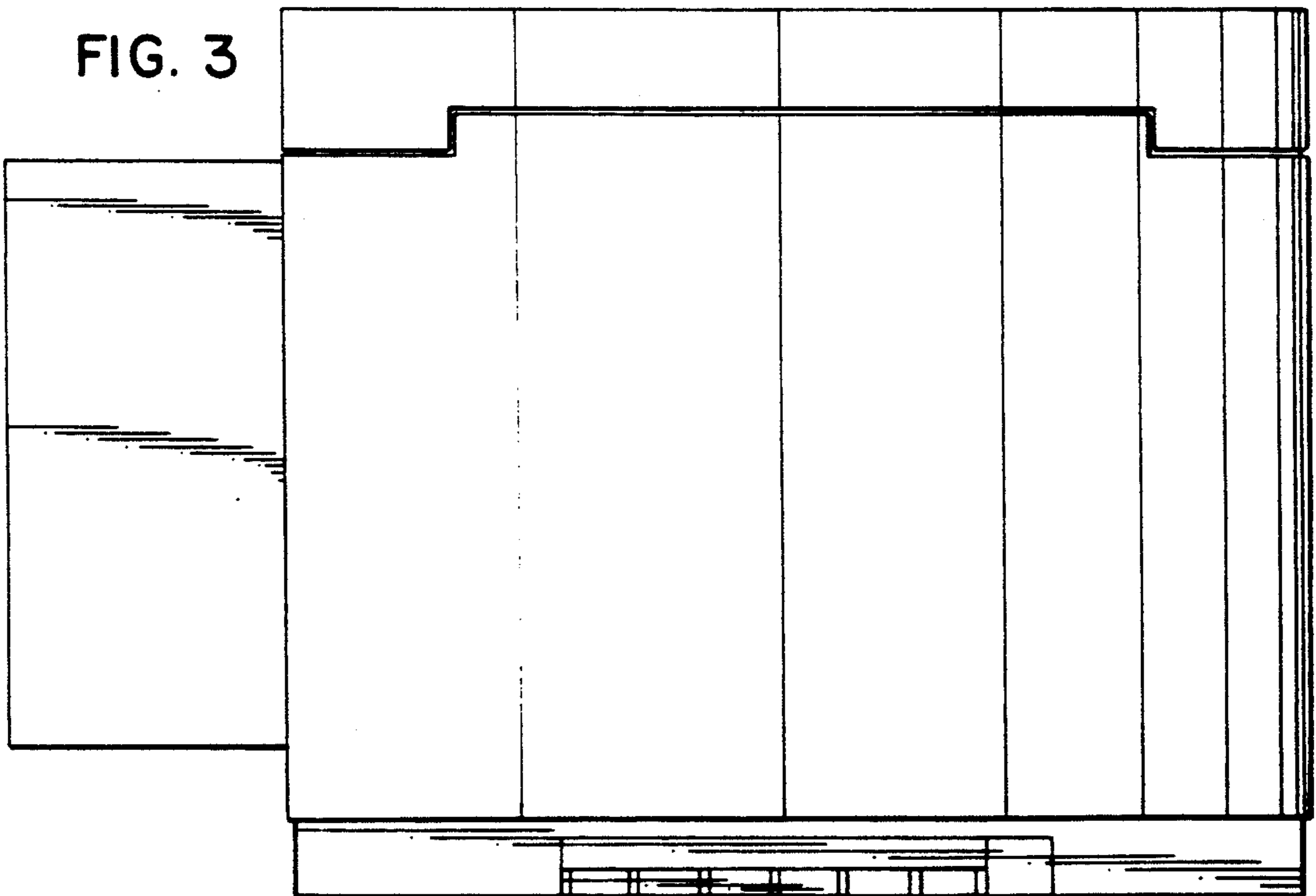


FIG. 3



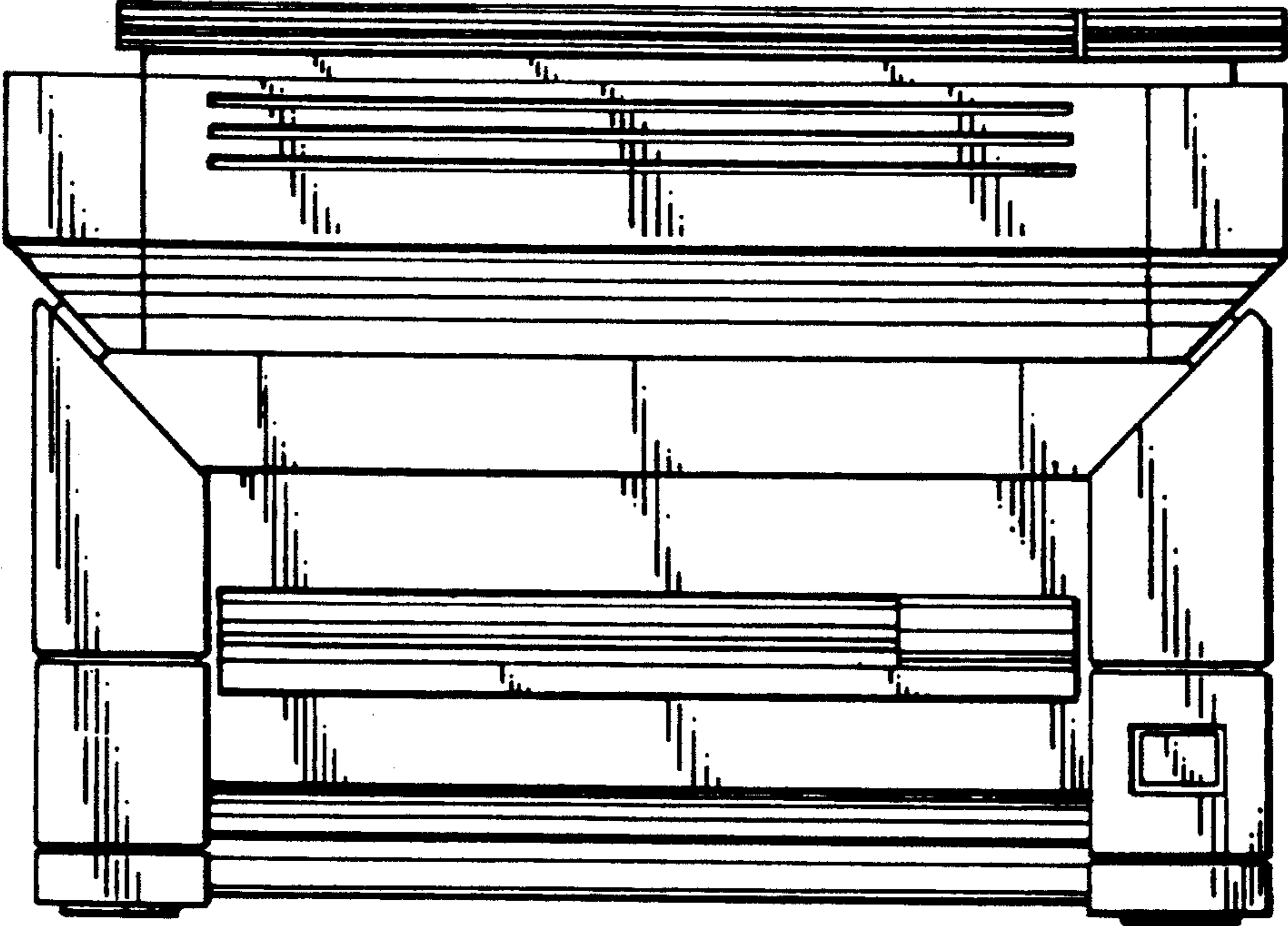


FIG. 4

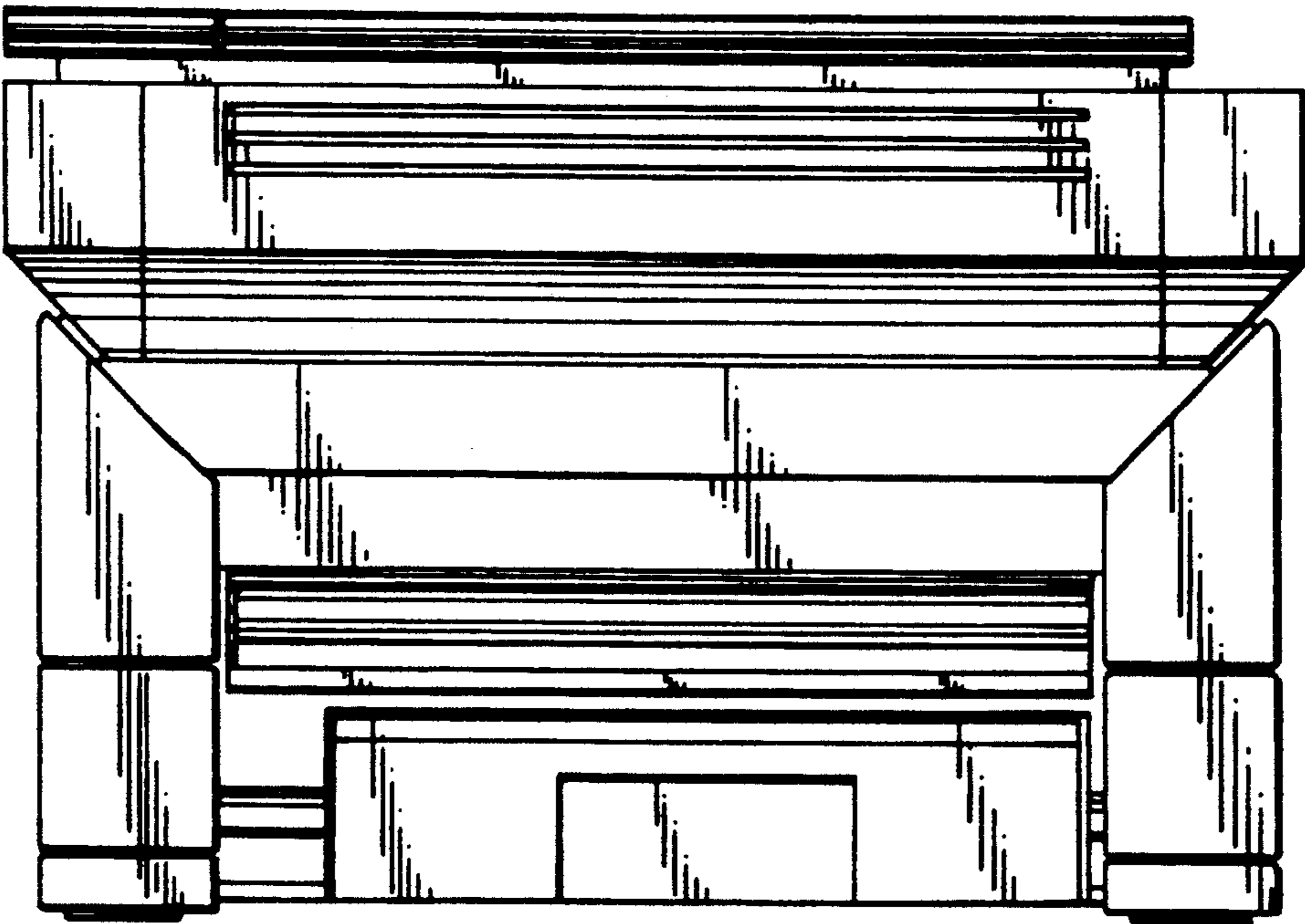


FIG. 5

FIG. 6

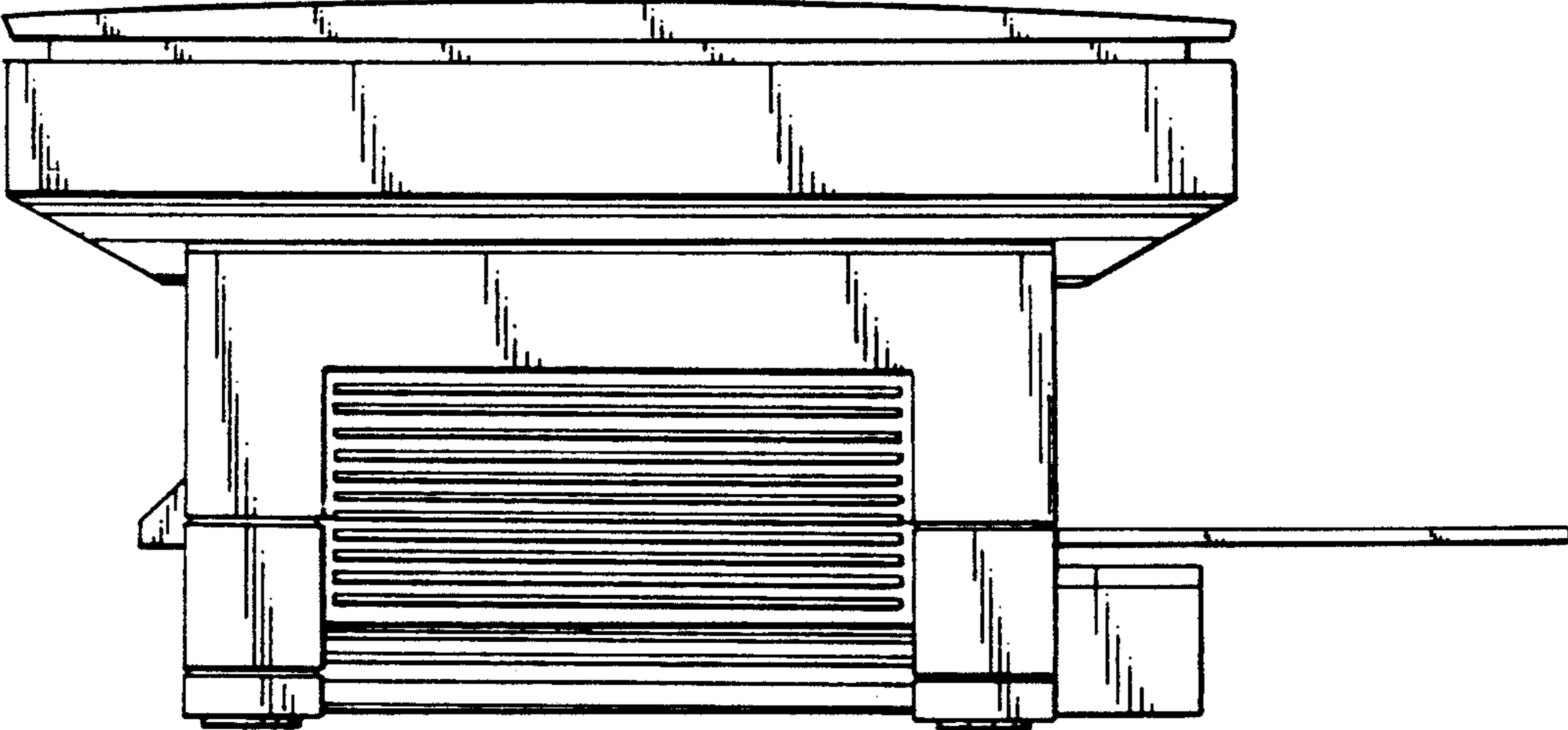
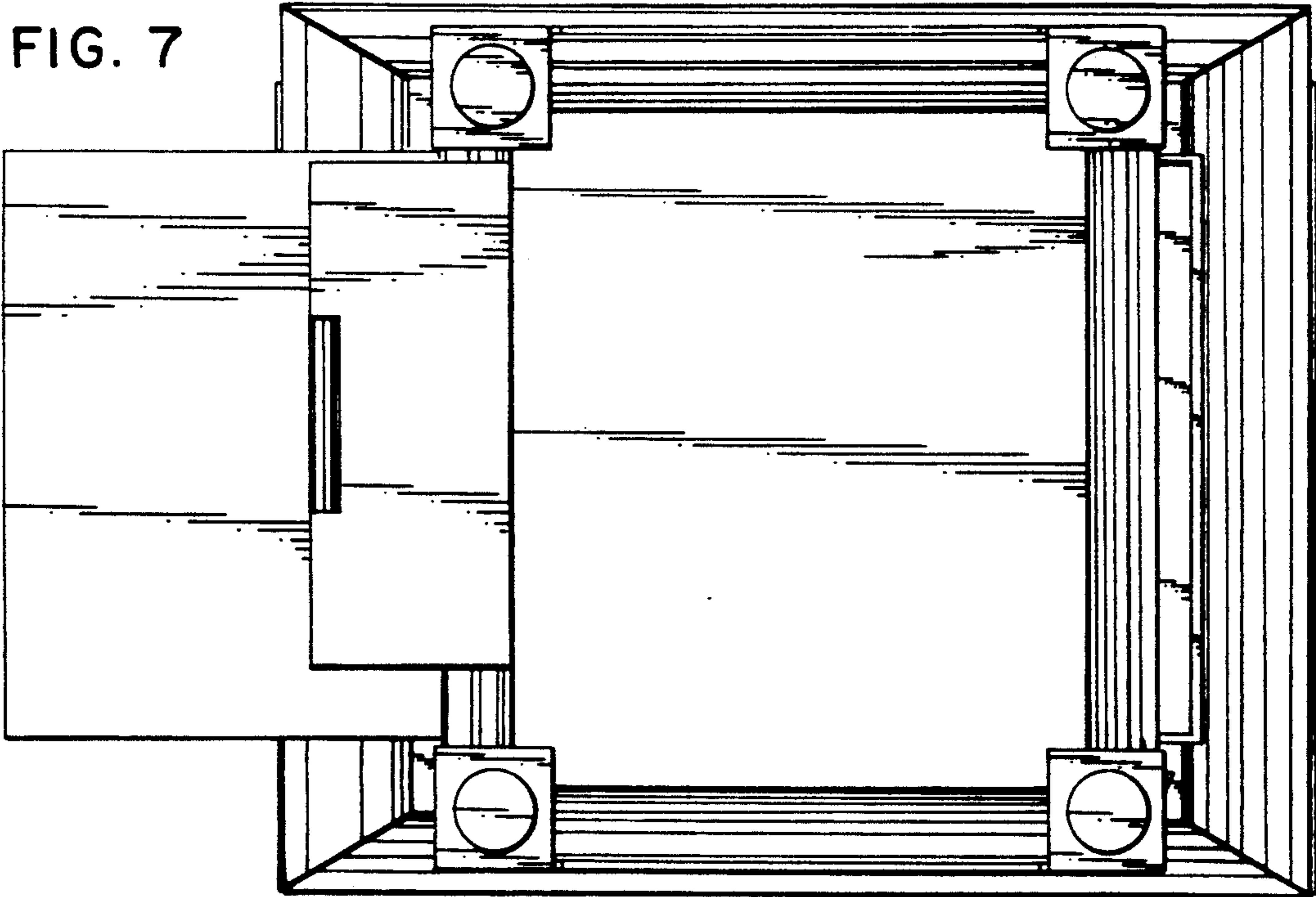


FIG. 7



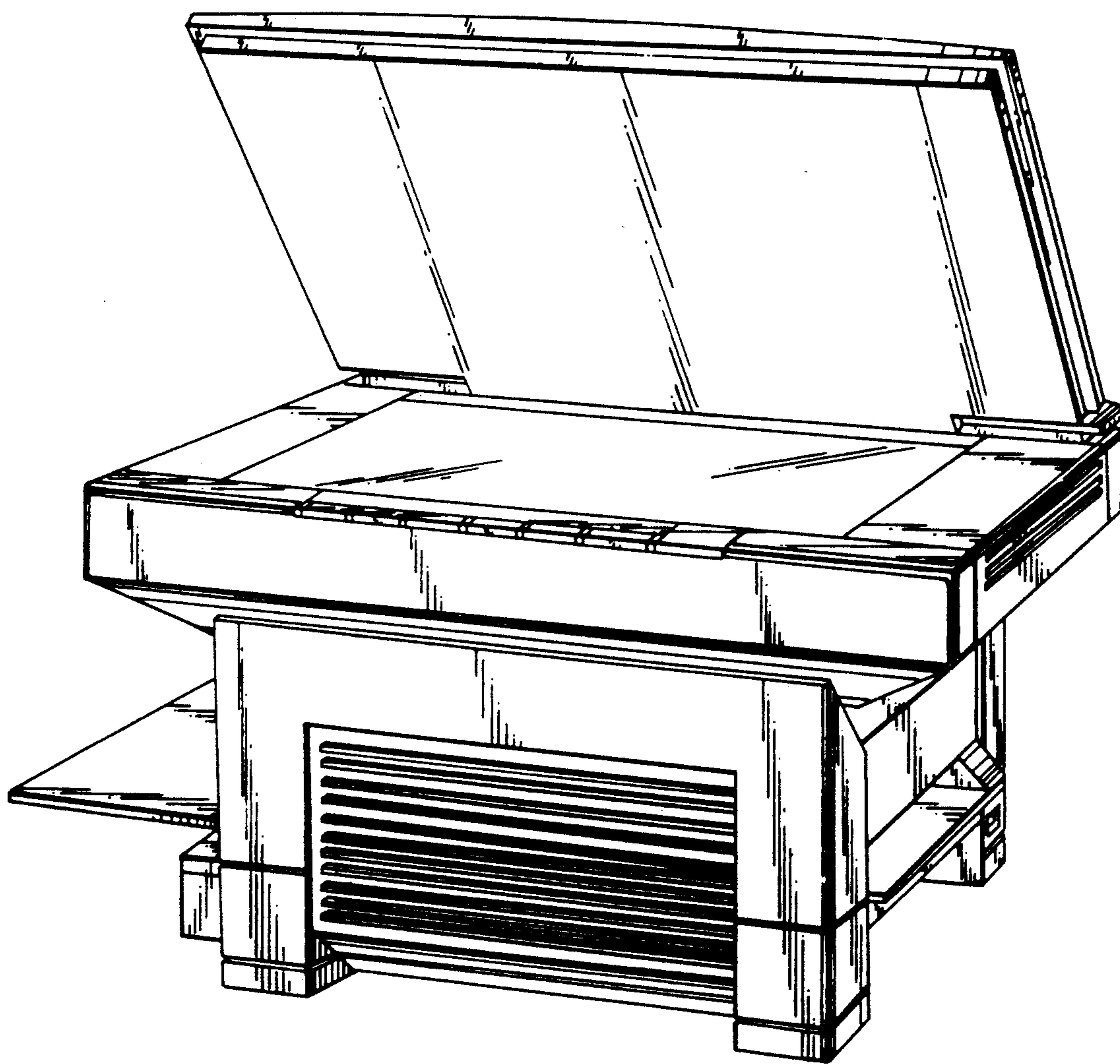


FIG. 8