



US00D334203S

United States Patent [19]

[11] Patent Number: **Des. 334,203**

Tajima et al.

[45] Date of Patent: **** Mar. 23, 1993**

[54] **INK RIBBON CASSETTE FOR AN ELECTRONIC COMPUTER**

[56] **References Cited**

U.S. PATENT DOCUMENTS

[75] Inventors: **Akio Tajima; Hiroyuki Harada**, both of Tokyo, Japan

D. 275,296	8/1984	Katori	D18/12
D. 280,912	10/1985	Kosaka	D18/12
D. 307,438	4/1990	Kodama	D18/12
D. 313,611	1/1991	Yokoi	D18/12

[73] Assignee: **Seikosha Co., Ltd.**, Tokyo, Japan

Primary Examiner—Alan P. Douglas
Assistant Examiner—Ann Hunt
Attorney, Agent, or Firm—Jordan and Hamburg

[*] Notice: The portion of the term of this patent subsequent to Jan. 5, 2010 has been disclaimed.

[57] CLAIM

The ornamental design for an ink ribbon cassette for an electronic computer, as shown.

[**] Term: **14 Years**

DESCRIPTION

[21] Appl. No.: **570,645**

FIG. 1 is a front perspective view of an ink ribbon cassette for an electronic computer showing our new design;

[22] Filed: **Aug. 21, 1990**

FIG. 2 is a front elevational view thereof;

[52] U.S. Cl. **D18/12**

FIG. 3 is a rear elevational view thereof;

[58] Field of Search **D18/12, 18, 56, 99;**

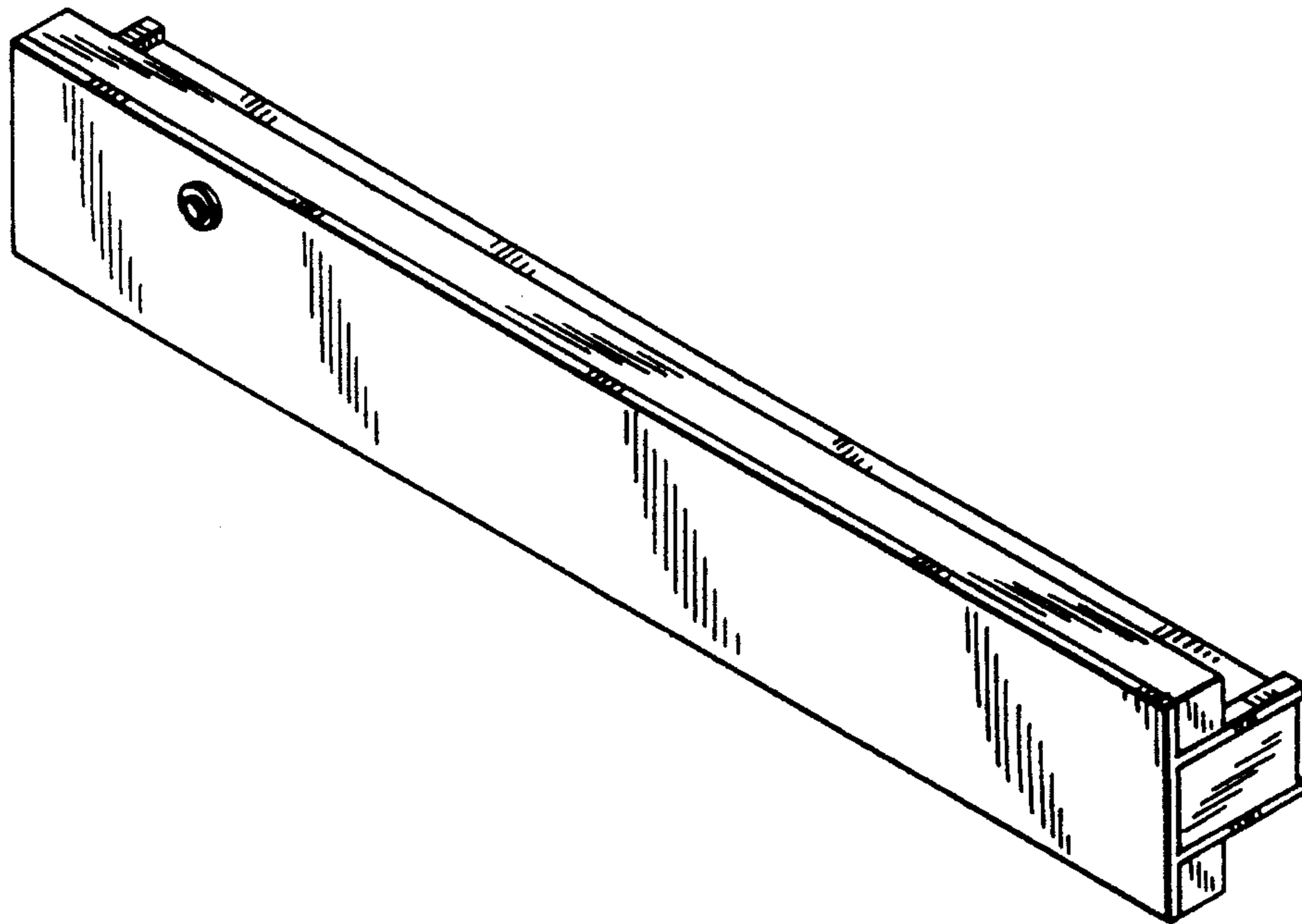
FIG. 4 is a top plan view thereof;

D14/114, 121; 400/194, 195, 196, 196.1, 207, 208

FIG. 5 is a bottom plan view thereof;

FIG. 6 is a right side elevational view thereof; and,

FIG. 7 is a left side elevational view thereof.



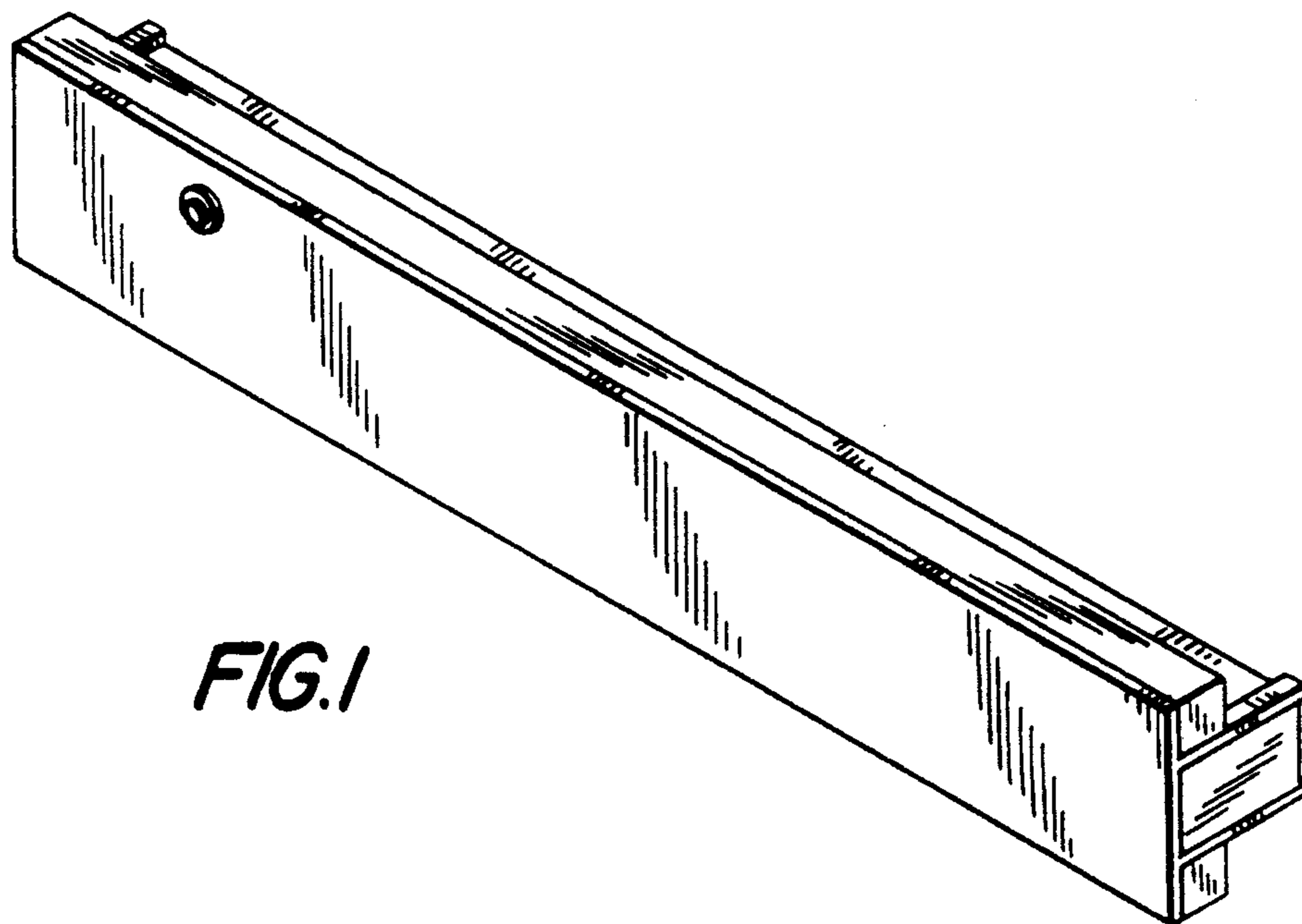


FIG. 1

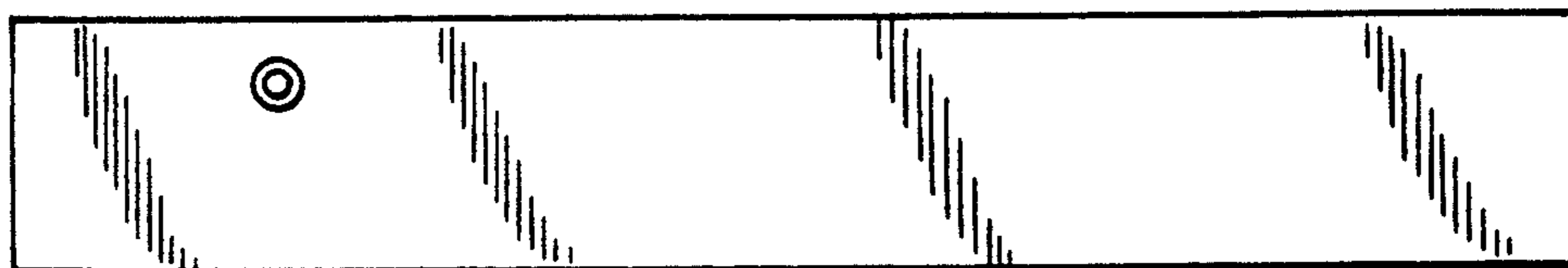


FIG. 2

FIG. 3

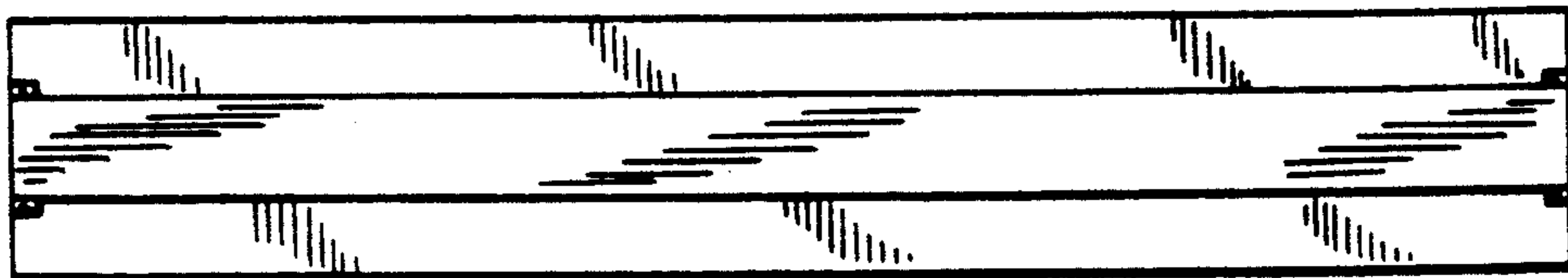


FIG. 4

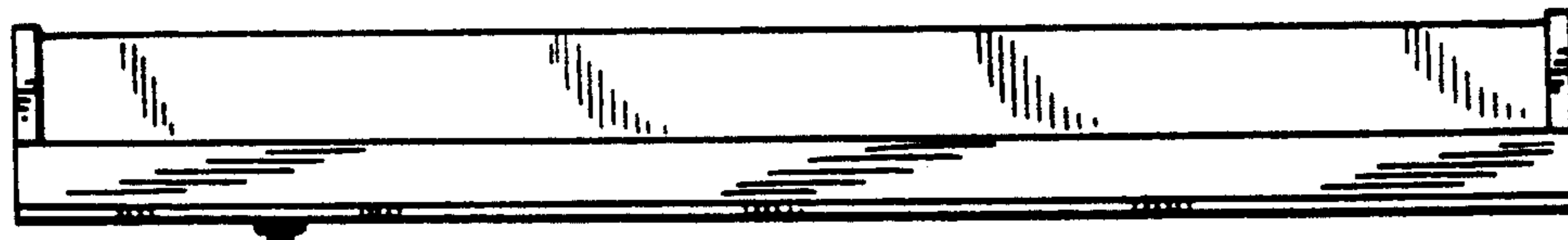


FIG. 5

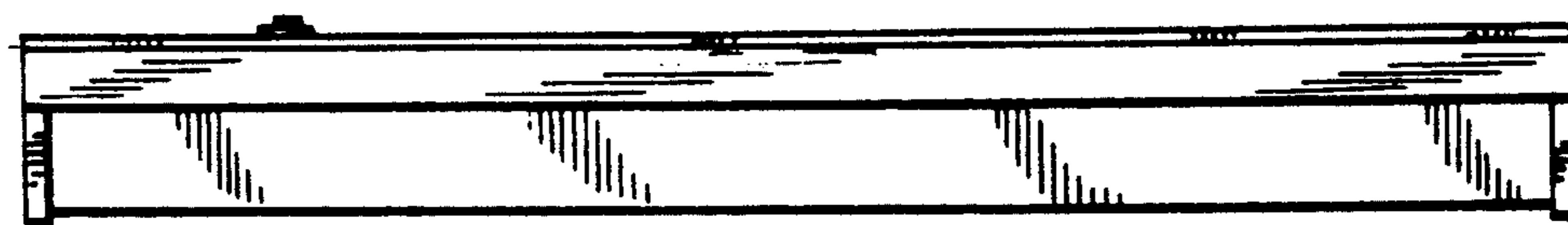


FIG. 6

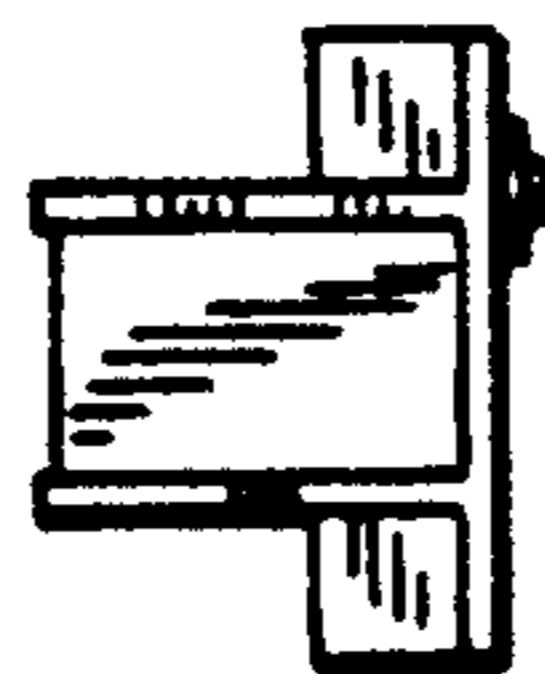
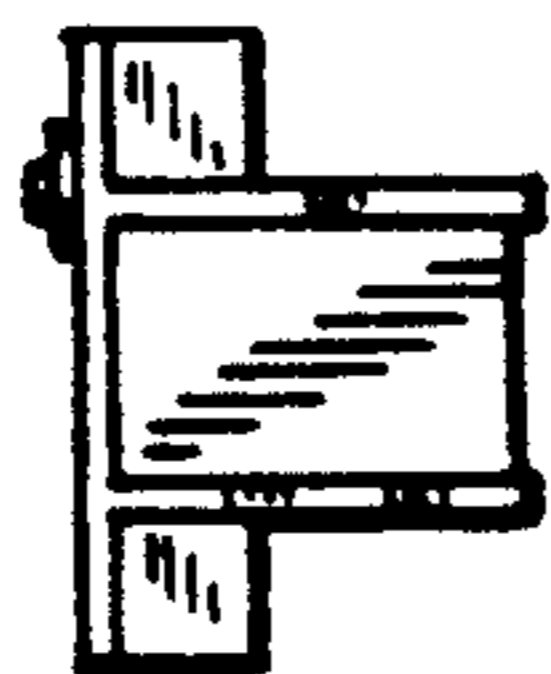


FIG. 7