



US00D334202S

**United States Patent** [19]  
**Hurder**

[11] **Patent Number: Des. 334,202**  
[45] **Date of Patent: \*\* Mar. 23, 1993**

[54] **PALLET REPAIRING STAND**  
[75] **Inventor: Paul Hurder, Arlington, Tex.**  
[73] **Assignee: Alpine Engineered Products, Inc, Pompano Beach, Fla.**  
[\*\*] **Term: 14 Years**  
[21] **Appl. No.: 573,658**  
[22] **Filed: Aug. 27, 1990**  
[52] **U.S. Cl. .... D15/140**  
[58] **Field of Search ..... D15/140, 141, 142, 138; 29/239, 252, 426.4; 30/379; 83/401, 418, 477.1, 527, 600, 928, 943; 227/76**

4,586,235 5/1986 Benvenuto ..... 83/943 X  
4,750,255 6/1988 Hufnagel ..... 83/943 X  
4,945,626 8/1990 Dyksta et al. .... 83/943 X

*Primary Examiner*—Alan P. Douglas  
*Assistant Examiner*—Antoine D. Davis  
*Attorney, Agent, or Firm*—Fred N. Schwend

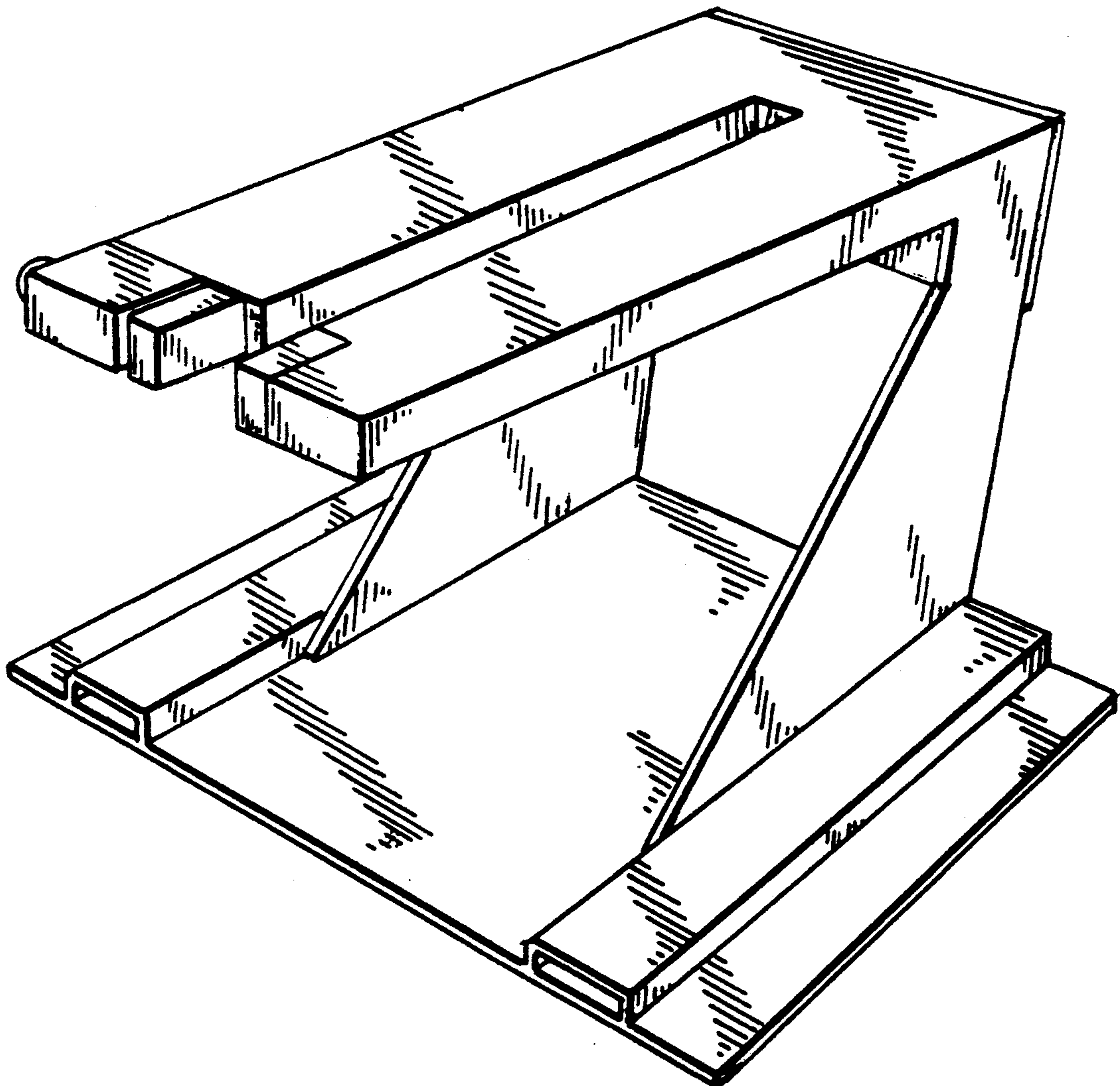
[57] **CLAIM**

The ornamental design for a pallet repairing stand, as shown and described.

**DESCRIPTION**

FIG. 1 is a top, front right side perspective view of a pallet repairing stand showing my new design; FIG. 2 is a top plan view thereof; FIG. 3 is a right side elevational view thereof; FIG. 4 is a left side elevational view thereof; FIG. 5 is a front elevational view thereof; FIG. 6 is a rear elevational view thereof; and, FIG. 7 is a bottom plan view thereof.

[56] **References Cited**  
**U.S. PATENT DOCUMENTS**  
D. 301,817 6/1989 Olofsson ..... D15/140 X  
4,392,403 7/1983 Martindale, Jr. .... 83/943 X



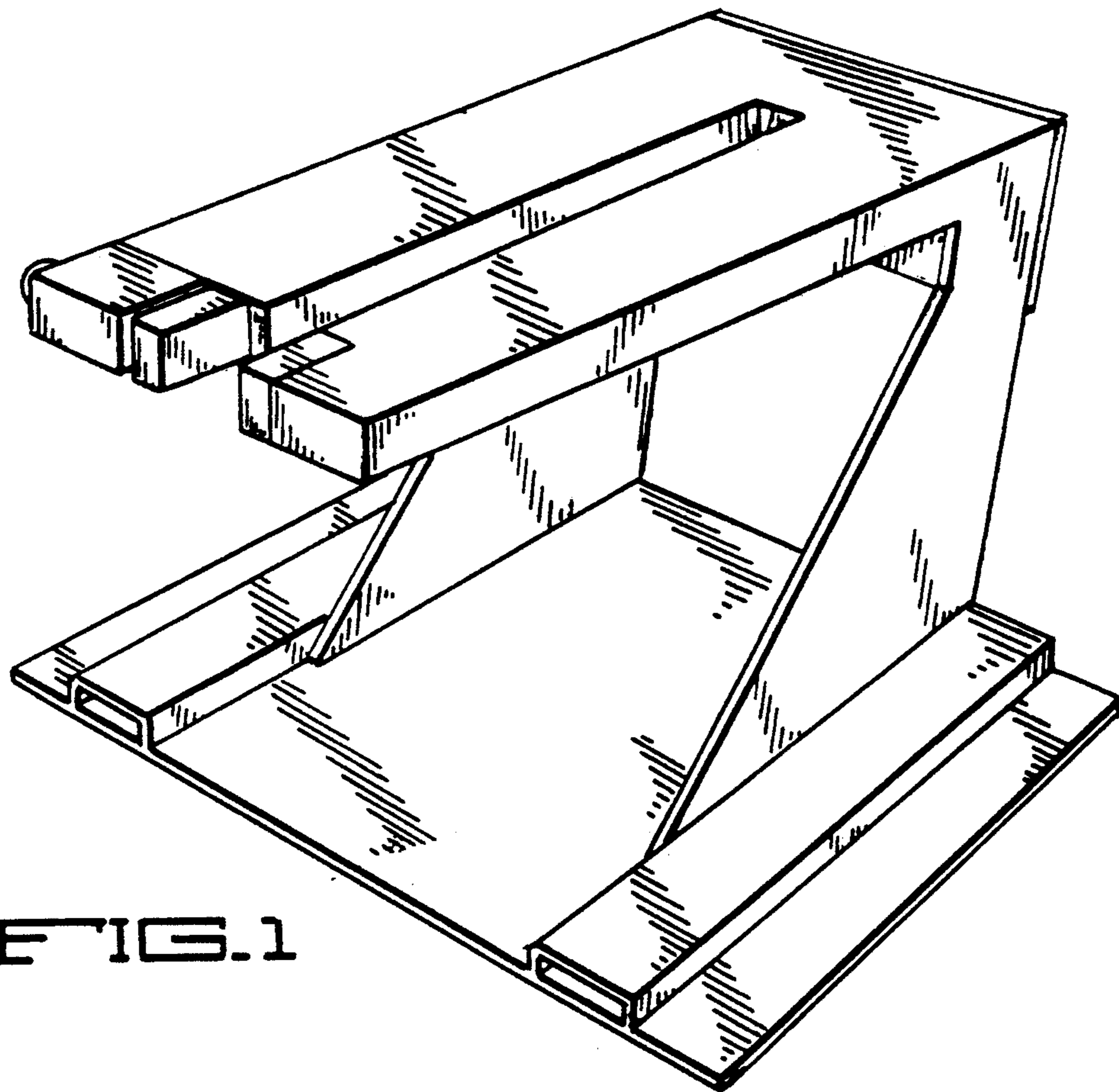


FIG. 1

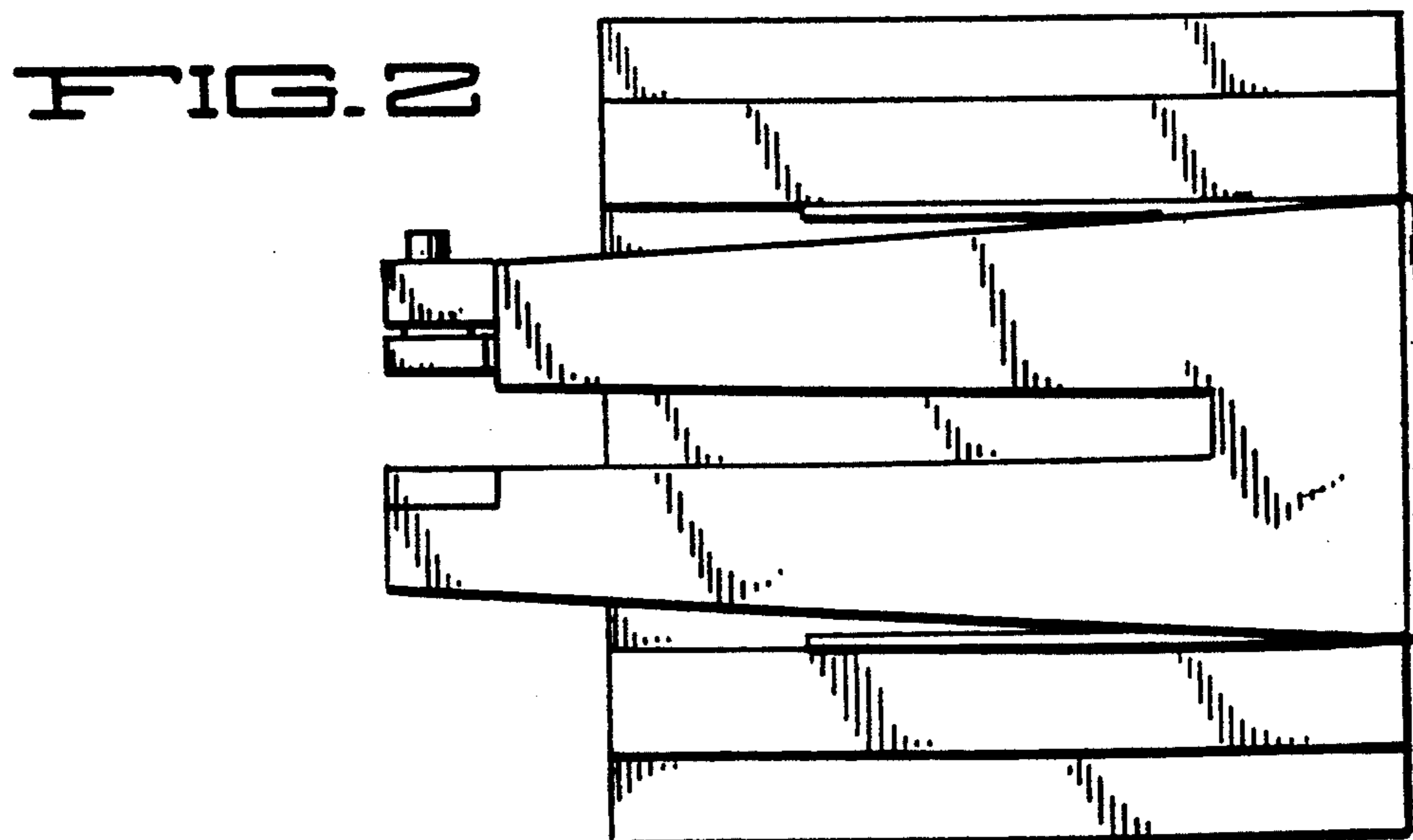


FIG. 2

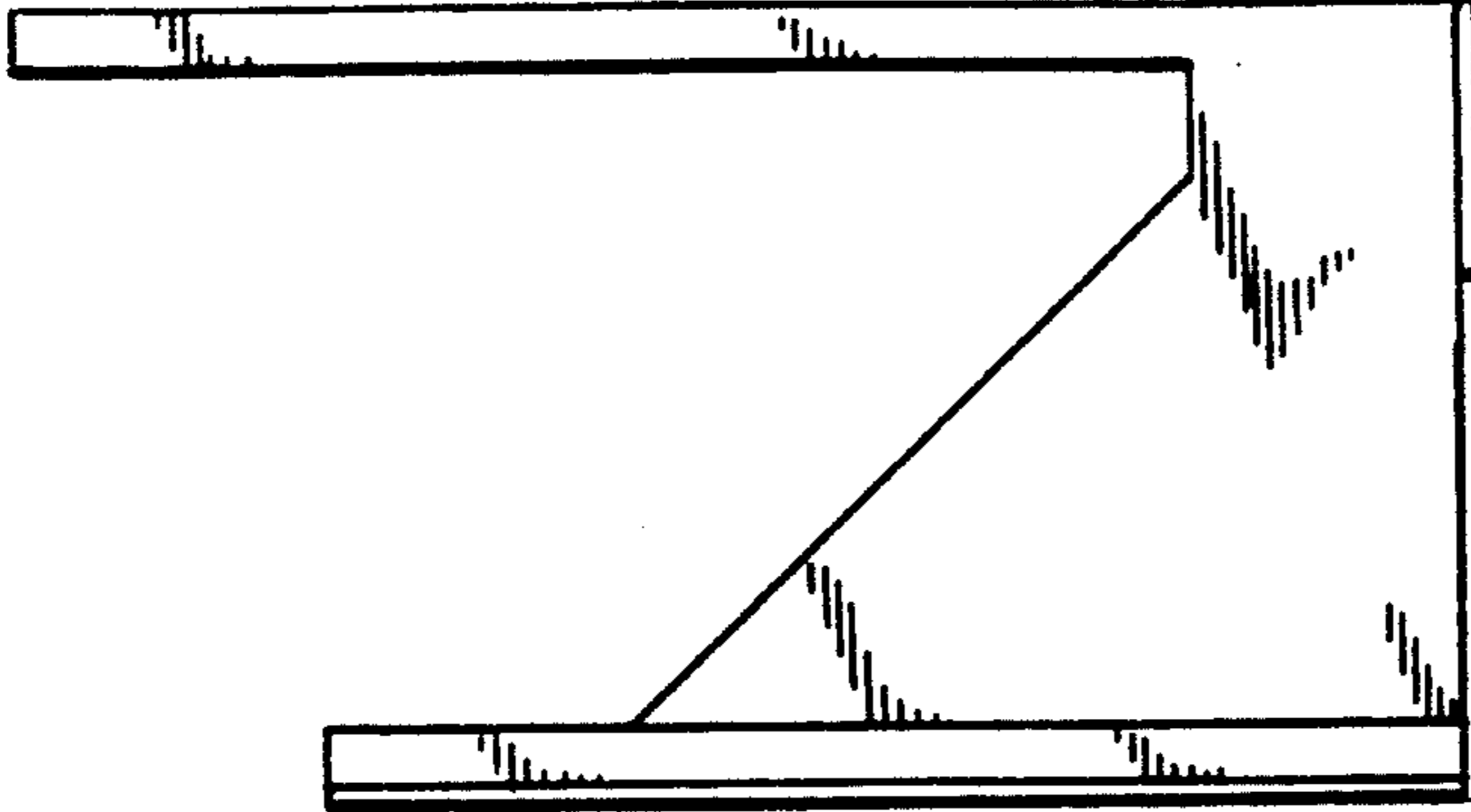


FIG. 3

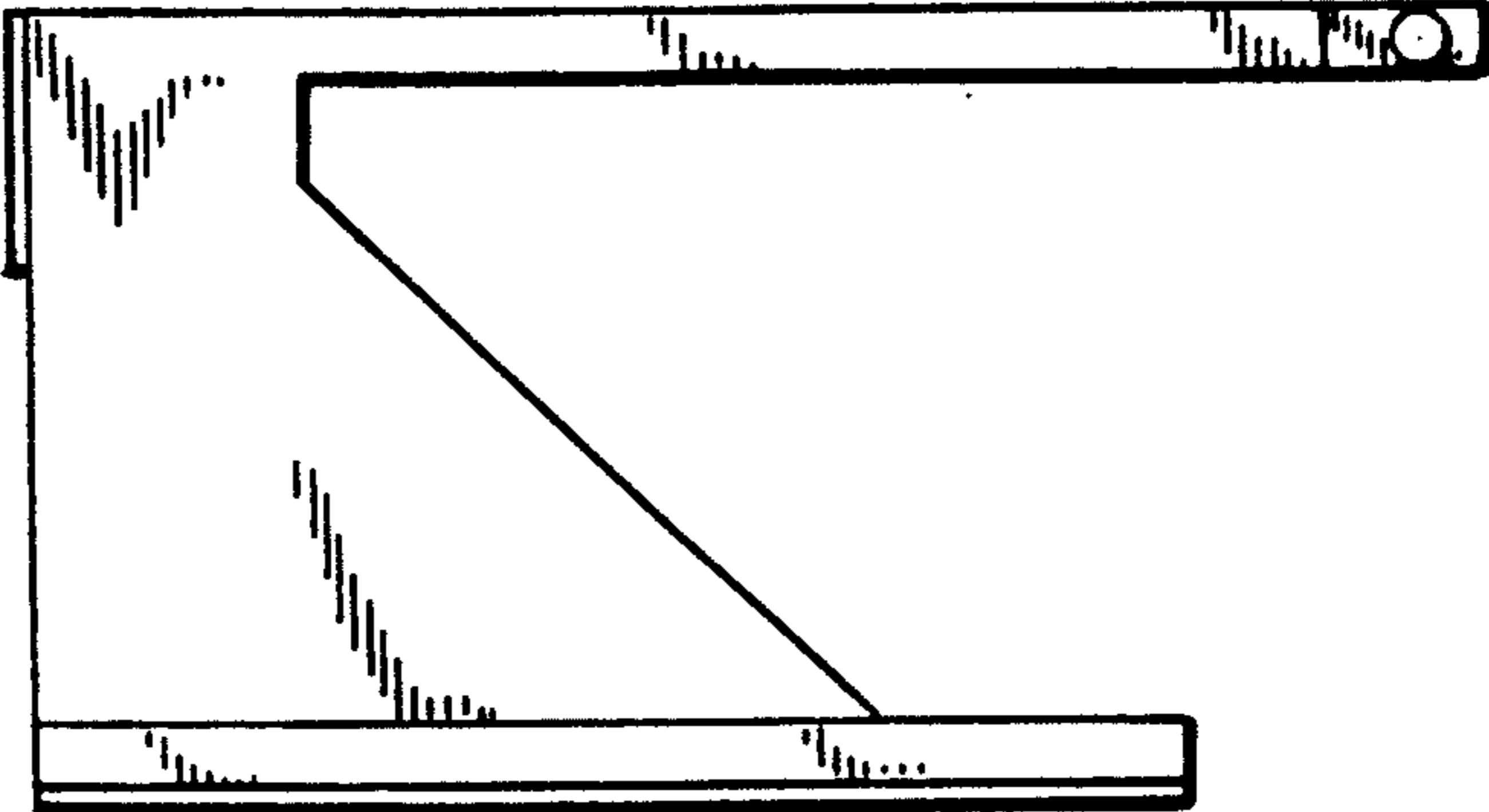


FIG. 4

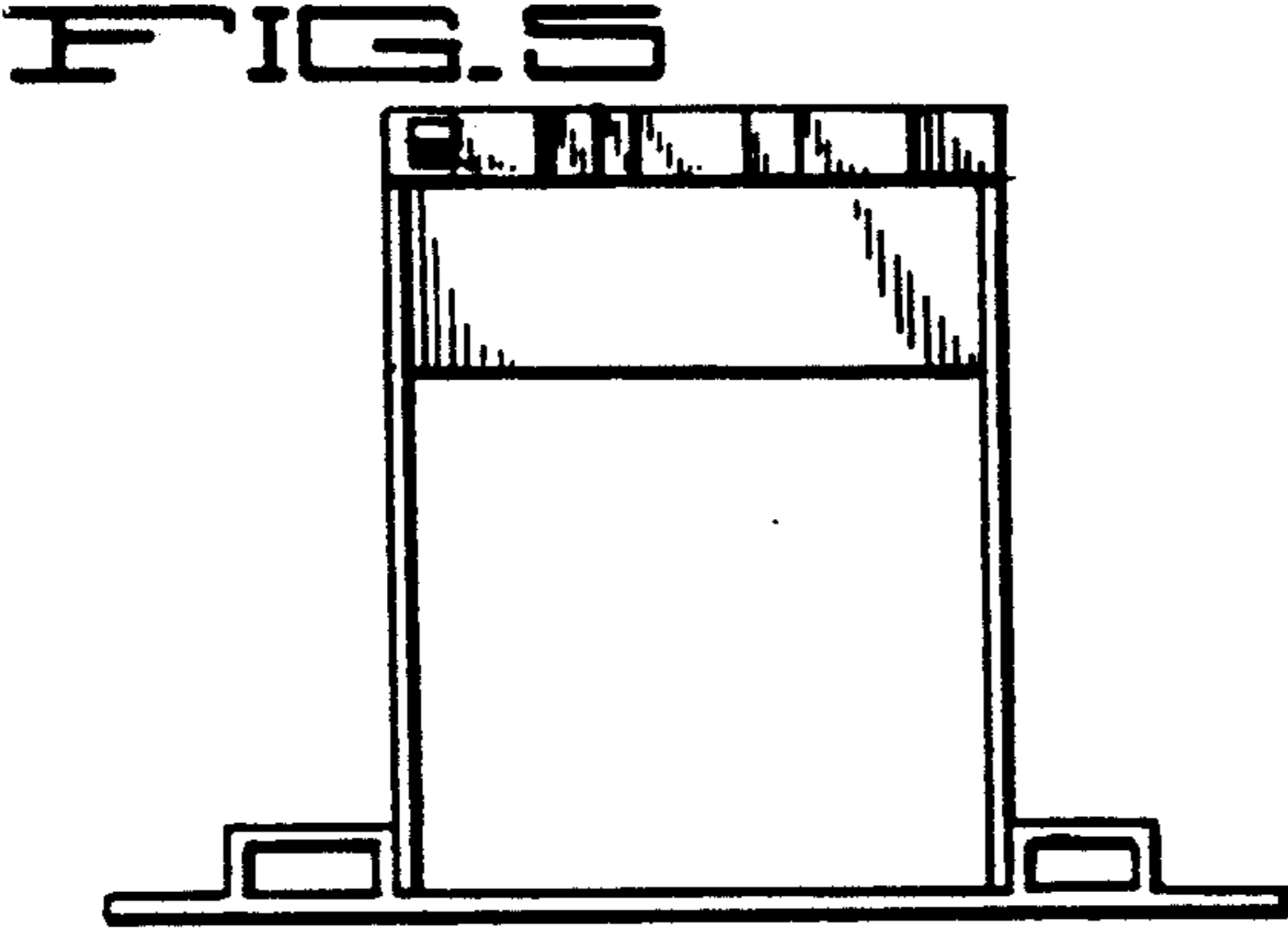


FIG. 5

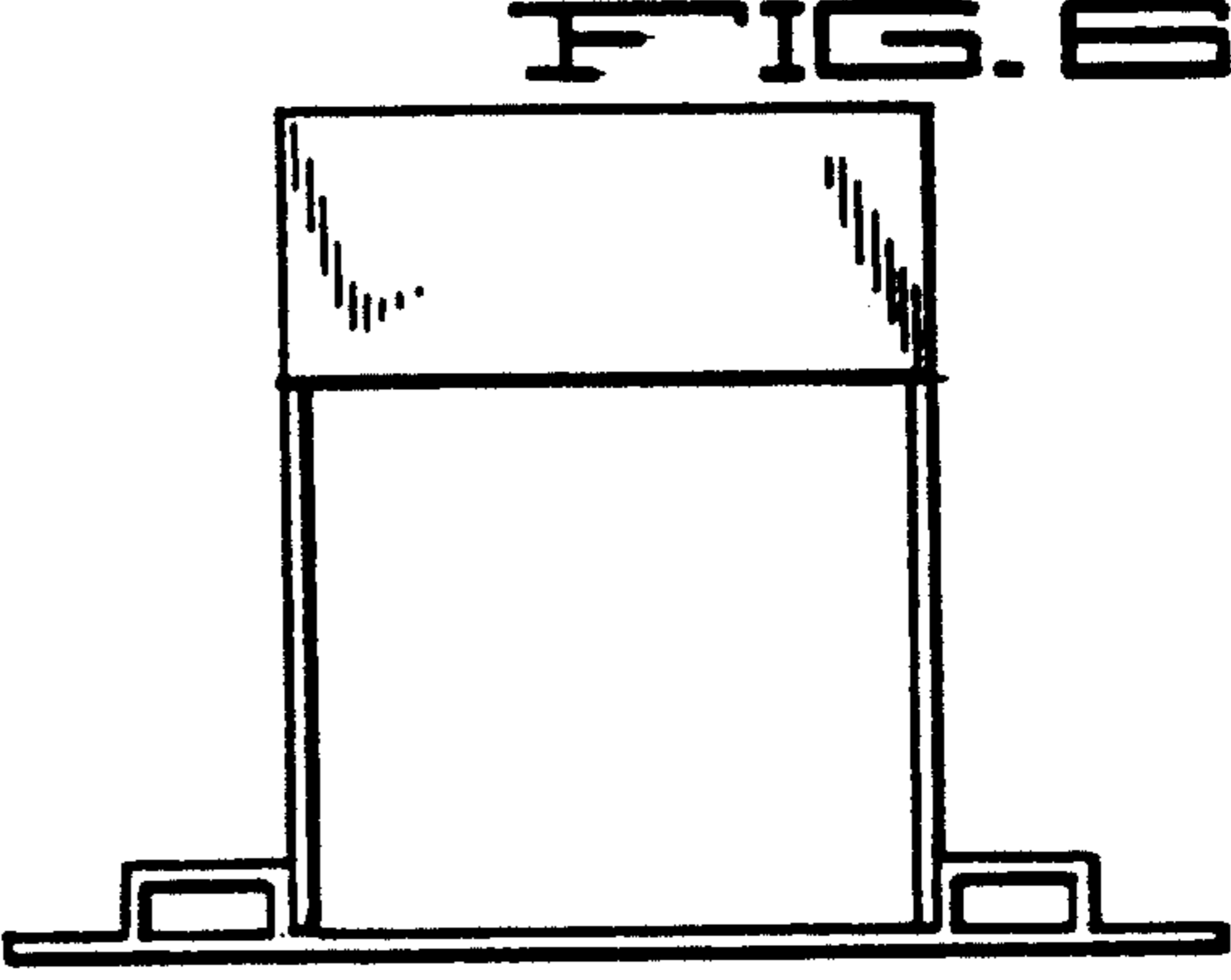


FIG. 6

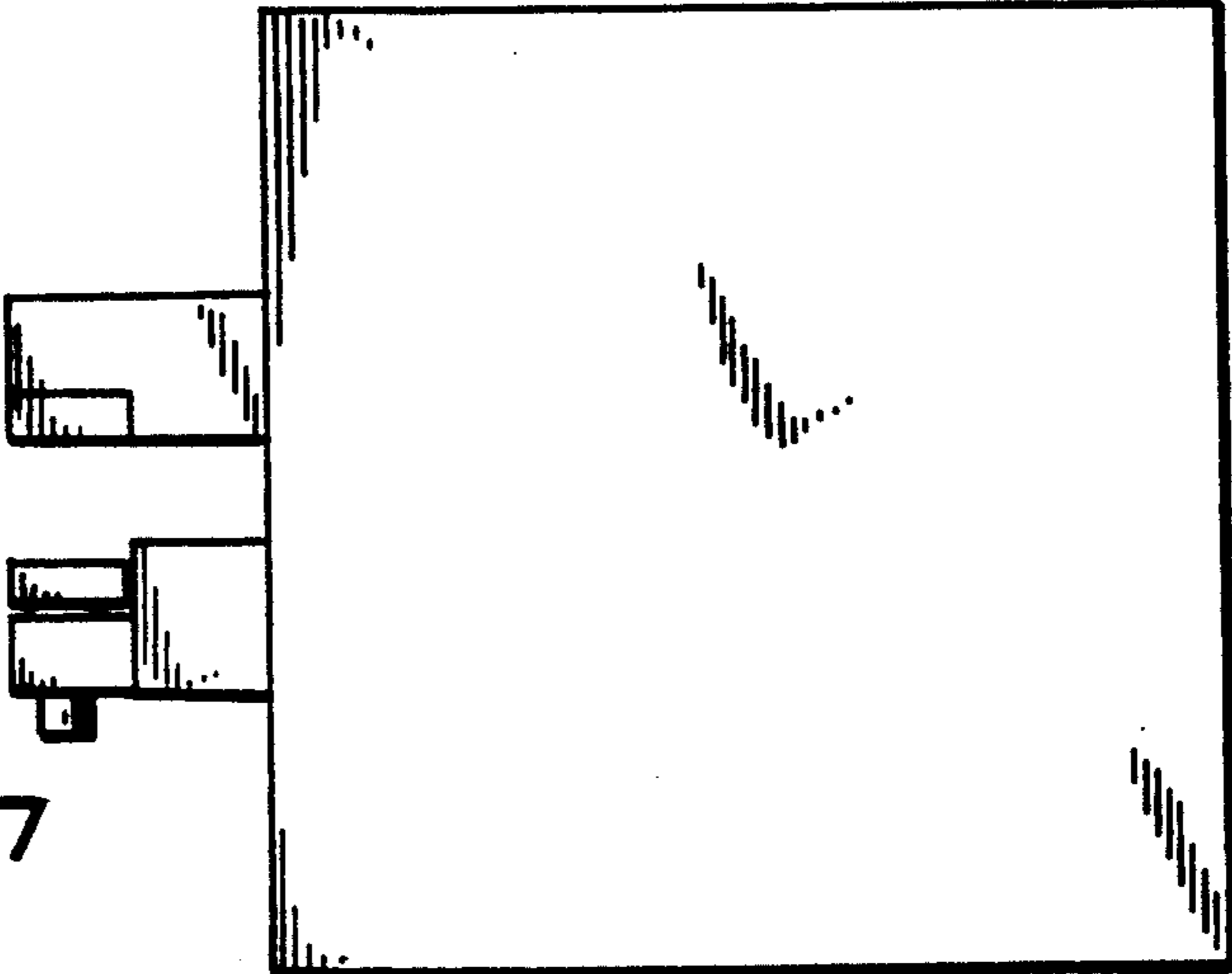


FIG. 7