



US00D334200S

United States Patent [19]

[11] Patent Number: **Des. 334,200**

Clifton

[45] Date of Patent: **** Mar. 23, 1993**

[54] **LAWN TRIMMER ATTACHMENT FOR A RIDING LAWN MOWER**

4,642,976	2/1987	Owens	56/16.9
4,712,363	12/1987	Claborn	172/17
4,715,169	12/1987	Ould	56/16.9
4,718,221	1/1988	Wessel	56/16.9

[76] Inventor: **Robert W. Clifton, Rte. 1, Box 296, Mechanicsville, Va. 23111**

Primary Examiner—Bernard Ansher
Assistant Examiner—Sandra Morris
Attorney, Agent, or Firm—Terry M. Gernstein

[**] Term: **14 Years**

[21] Appl. No.: **564,293**

[57] **CLAIM**

[22] Filed: **Aug. 8, 1990**

The ornamental design for a lawn trimmer attachment for a riding lawn mower, as shown and described.

[52] U.S. Cl. **D15/17**

[58] Field of Search **D15/14-17;**
172/13, 15-17

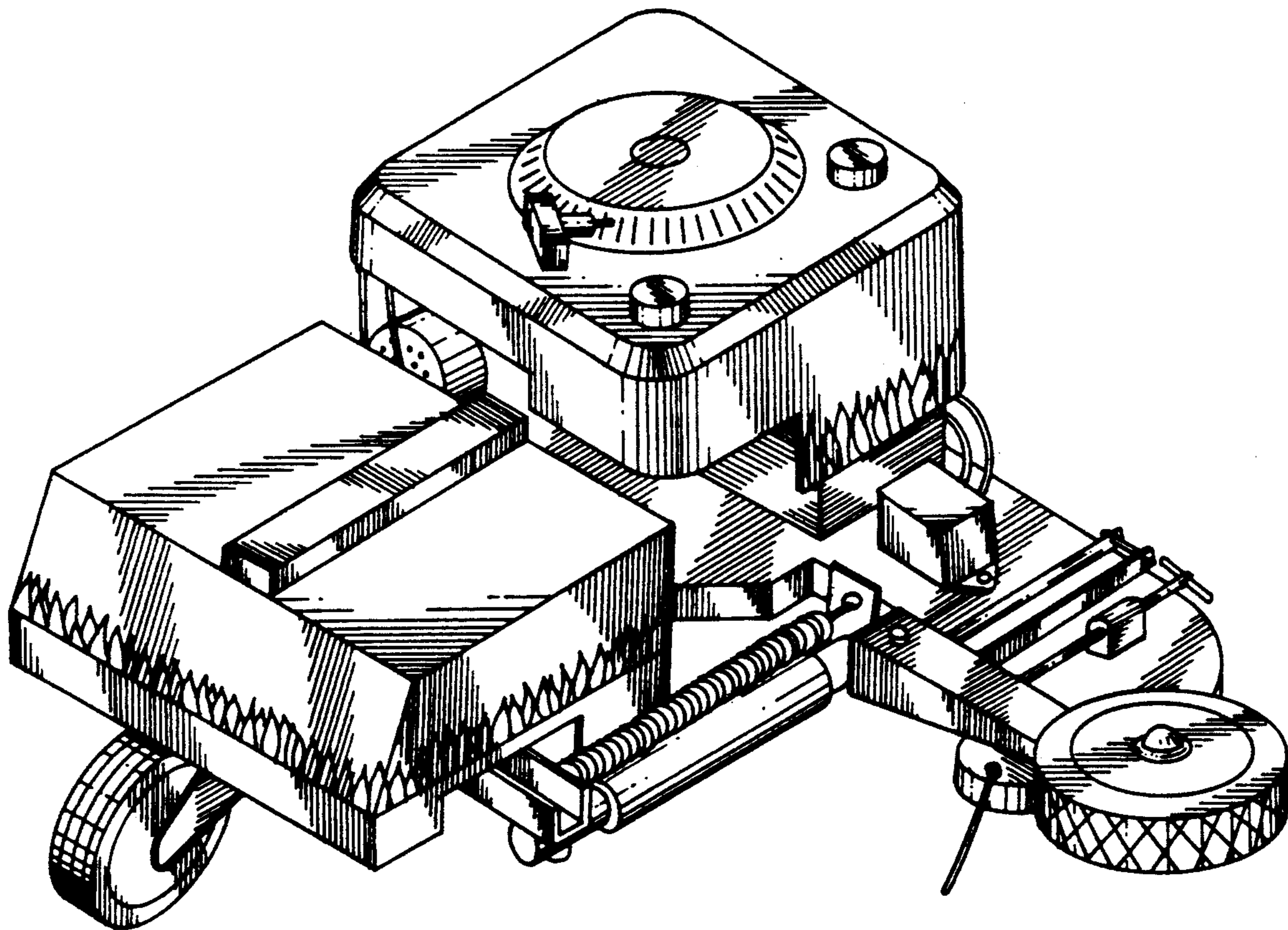
DESCRIPTION

[56] **References Cited**

U.S. PATENT DOCUMENTS

D. 249,267	9/1978	Brackin et al.	D15/15
D. 304,728	11/1989	Piorkowski	D15/16
D. 311,009	10/1990	Wilkins	D15/17
3,531,922	10/1970	Hansen	56/255
3,690,384	9/1972	Patterson	172/14

FIG. 1 is a lawn trimmer attachment for a riding lawn mower showing my new design;
FIG. 2 is a front elevational view thereof;
FIG. 3 is a rear elevational view thereof;
FIG. 4 is a right side elevational view thereof;
FIG. 5 is a left side elevational view thereof; and,
FIG. 6 is an enlarged top plan view thereof, the bottom being unadorned.



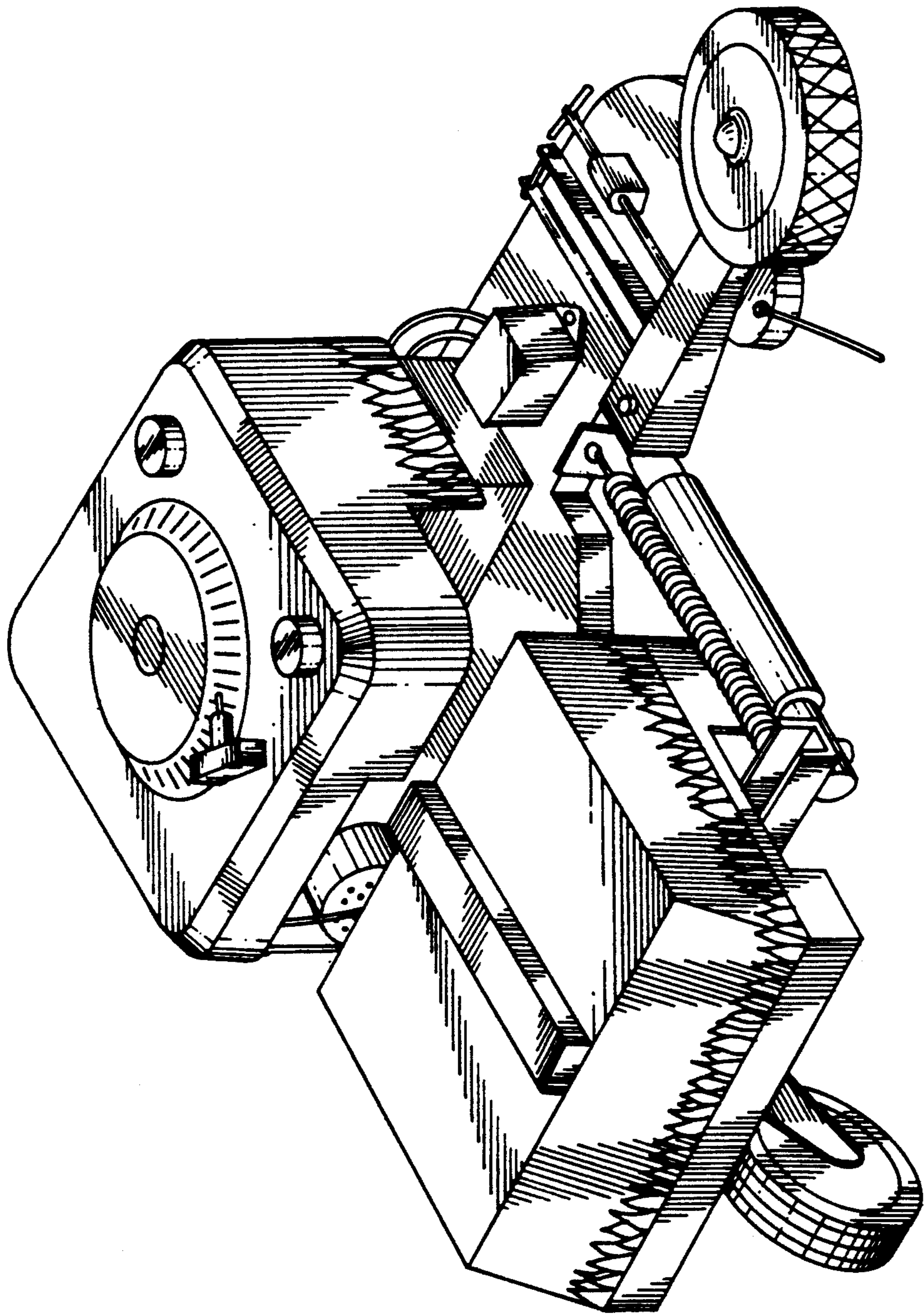


FIG.1.

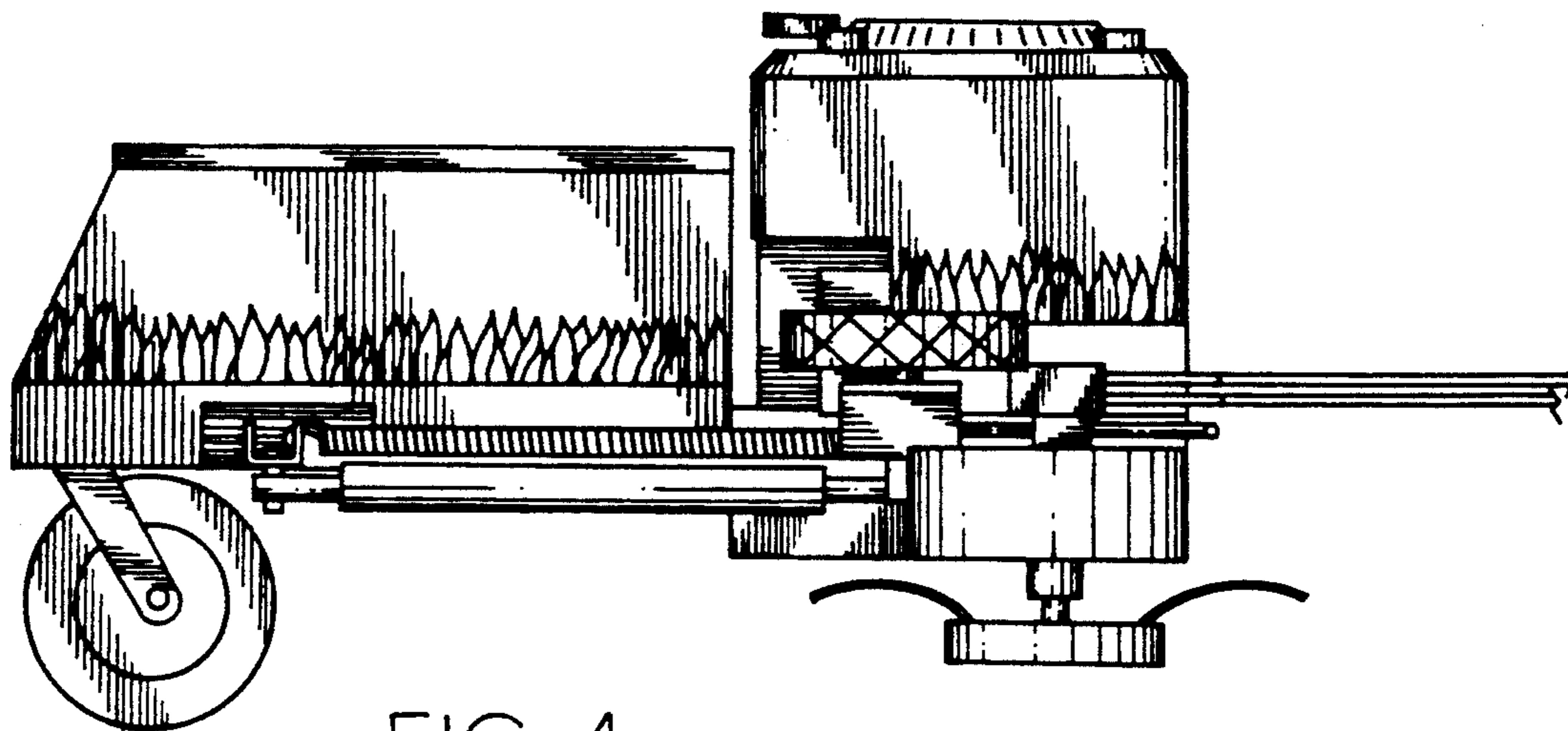


FIG. 4.

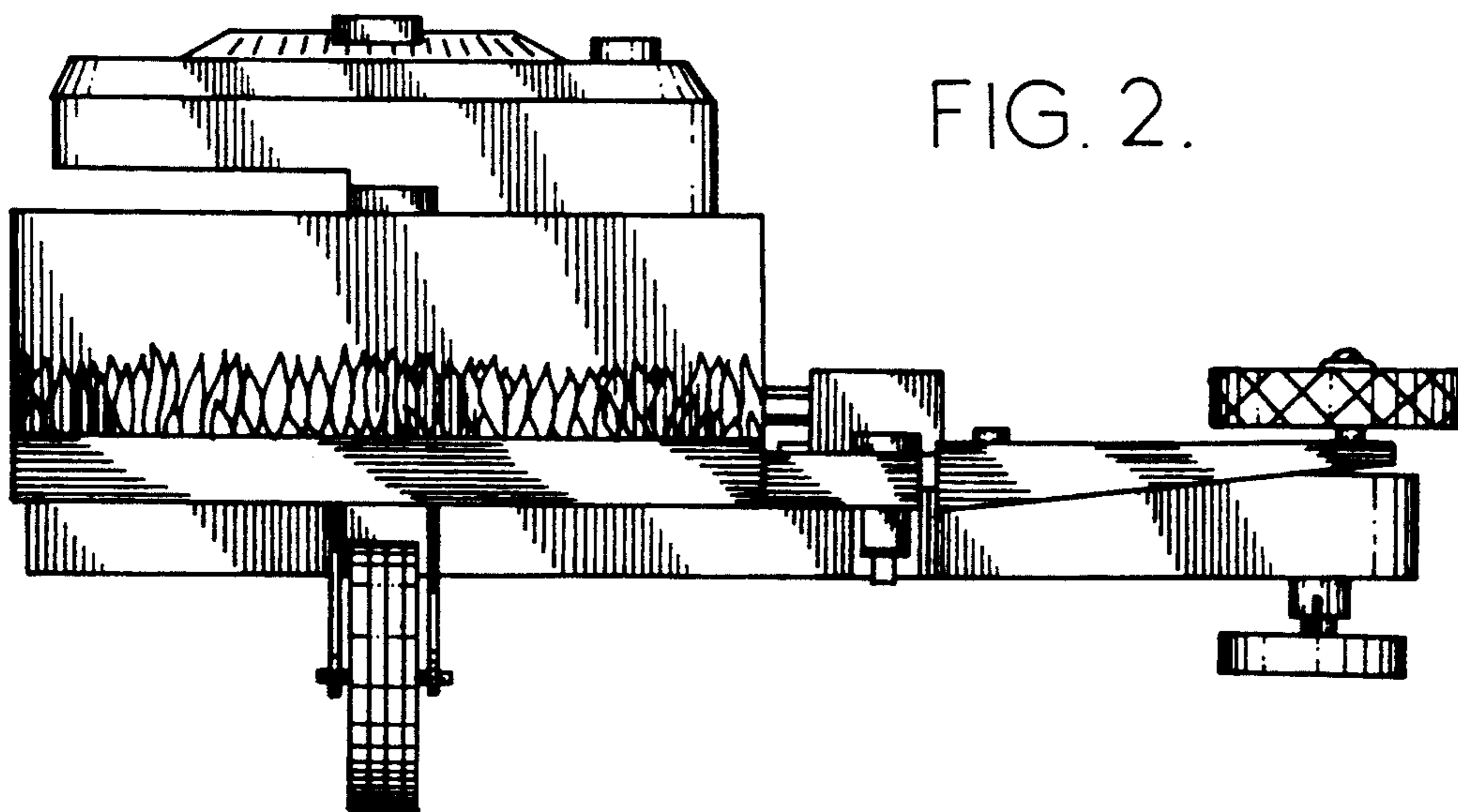


FIG. 2.

FIG. 5.

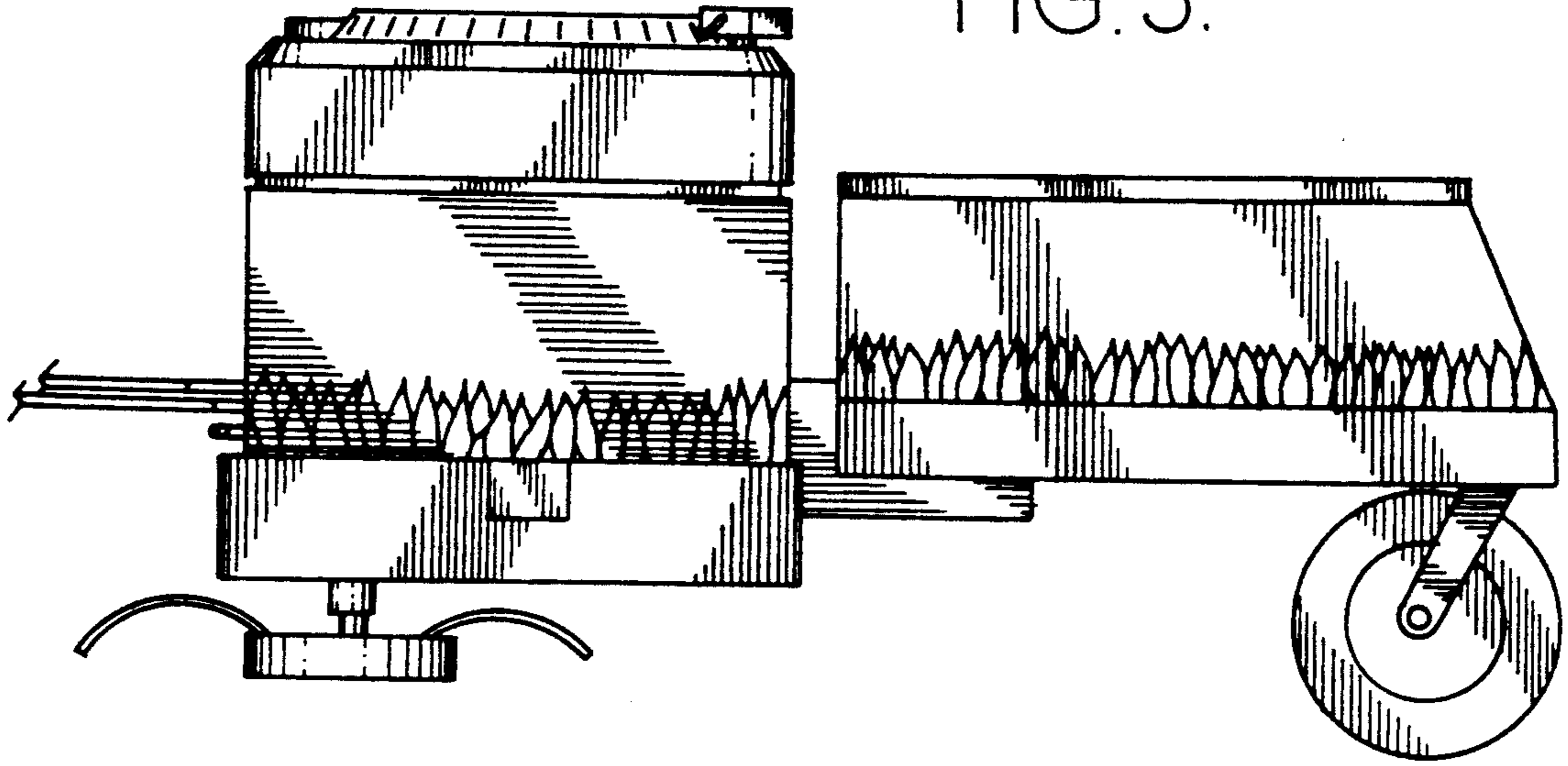


FIG. 3.

