



US00D334199S

United States Patent [19]
Ballew

[11] **Patent Number: Des. 334,199**
[45] **Date of Patent: ** Mar. 23, 1993**

[54] **FUEL DISPENSER**

D. 301,147 5/1989 Bass D15/9.1
4,930,665 6/1990 Devine 222/28

[76] **Inventor: Edward W. Ballew, 242 Blackberry Valley Rd., Greenville, S.C. 29611**

Primary Examiner—Louis S. Zarfaz
Assistant Examiner—R. Seifert
Attorney, Agent, or Firm—Terry M. Gernstein

[**] **Term: 14 Years**

[21] **Appl. No.: 718,829**

[57] **CLAIM**

[22] **Filed: Jun. 21, 1991**

The ornamental design for a fuel dispenser, as shown and described.

[52] **U.S. Cl. D15/9.1; D15/9.2**

[58] **Field of Search D10/96, 102; D15/9.1-9.3; 137/234.6; 222/24-28, 30, 37, 129, 173, 250-251**

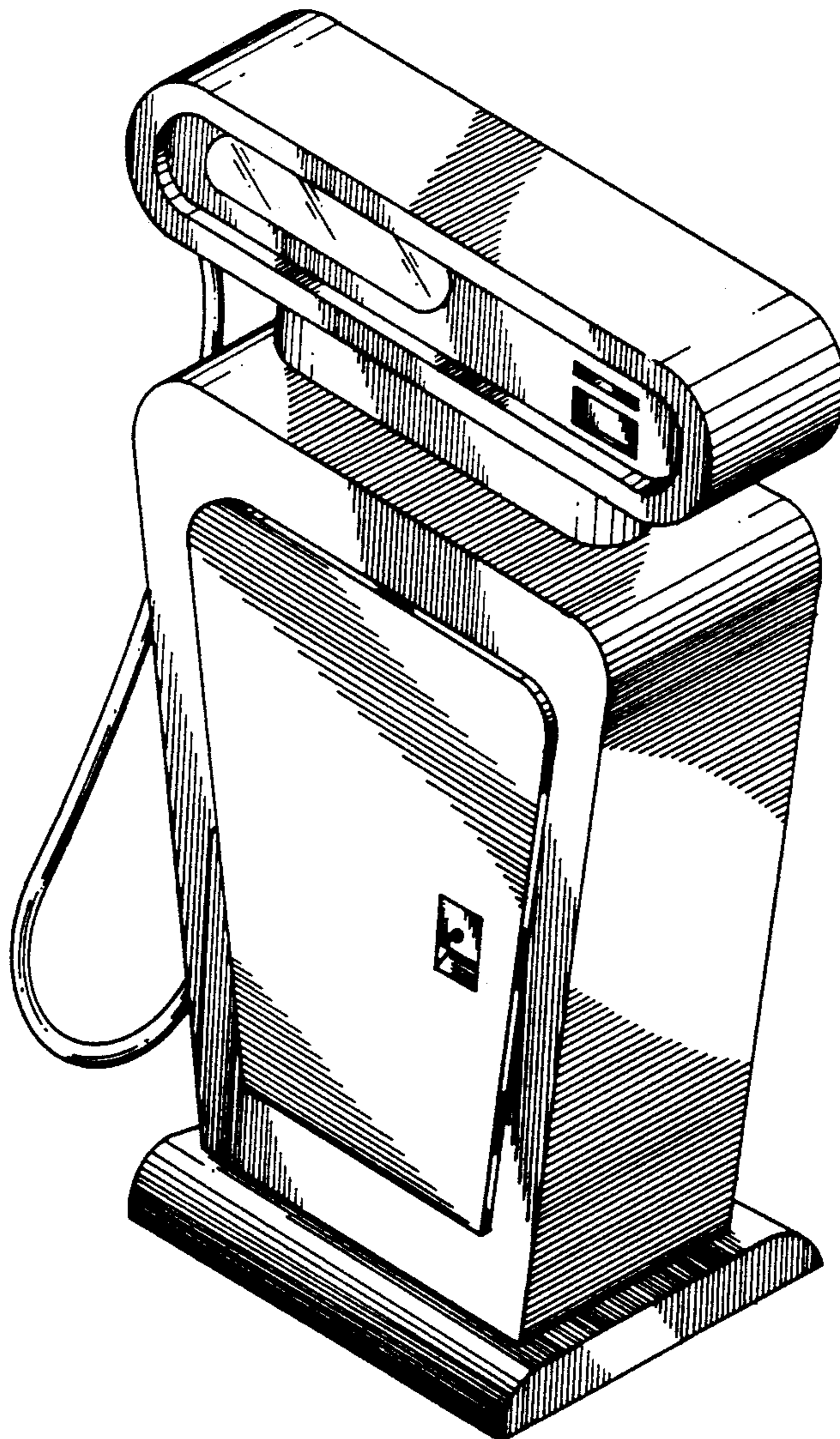
DESCRIPTION

FIG. 1 is a perspective view of a fuel dispenser showing my new design;
FIG. 2 is a front elevational view thereof;
FIG. 3 is a rear elevational view thereof;
FIG. 4 is a side elevational view thereof;
FIG. 5 is an elevational view of the side opposite that shown in FIG. 4;
FIG. 6 is a top plan view; and,
FIG. 7 is a bottom plan view.

[56] **References Cited**

U.S. PATENT DOCUMENTS

D. 130,405 11/1941 Legge D15/9.1
D. 190,925 7/1961 Bowden D15/9.2
D. 258,437 3/1981 Gray D15/9.1
D. 271,104 10/1983 Sasnett, Jr. D15/9.1



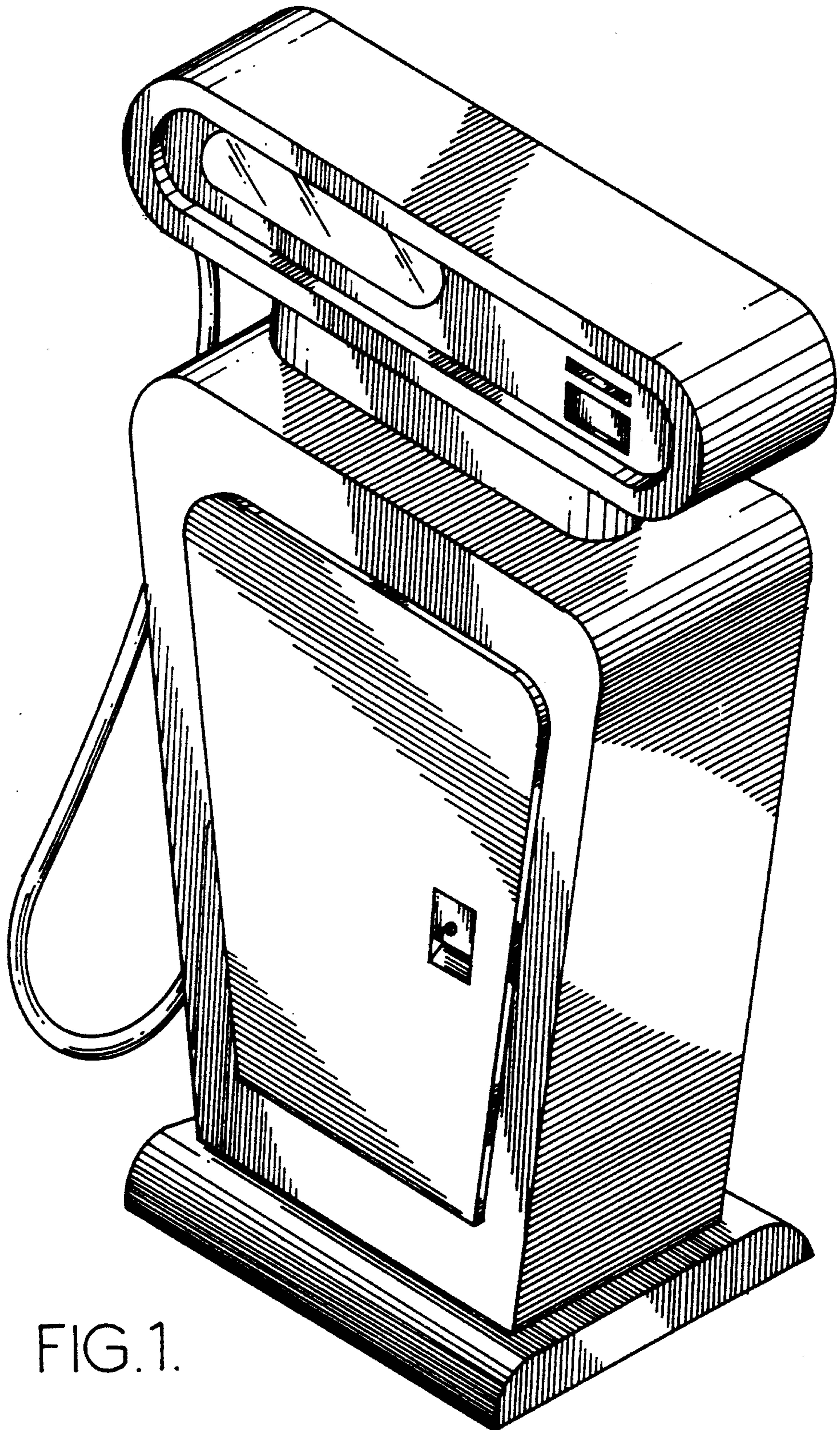


FIG. 1.

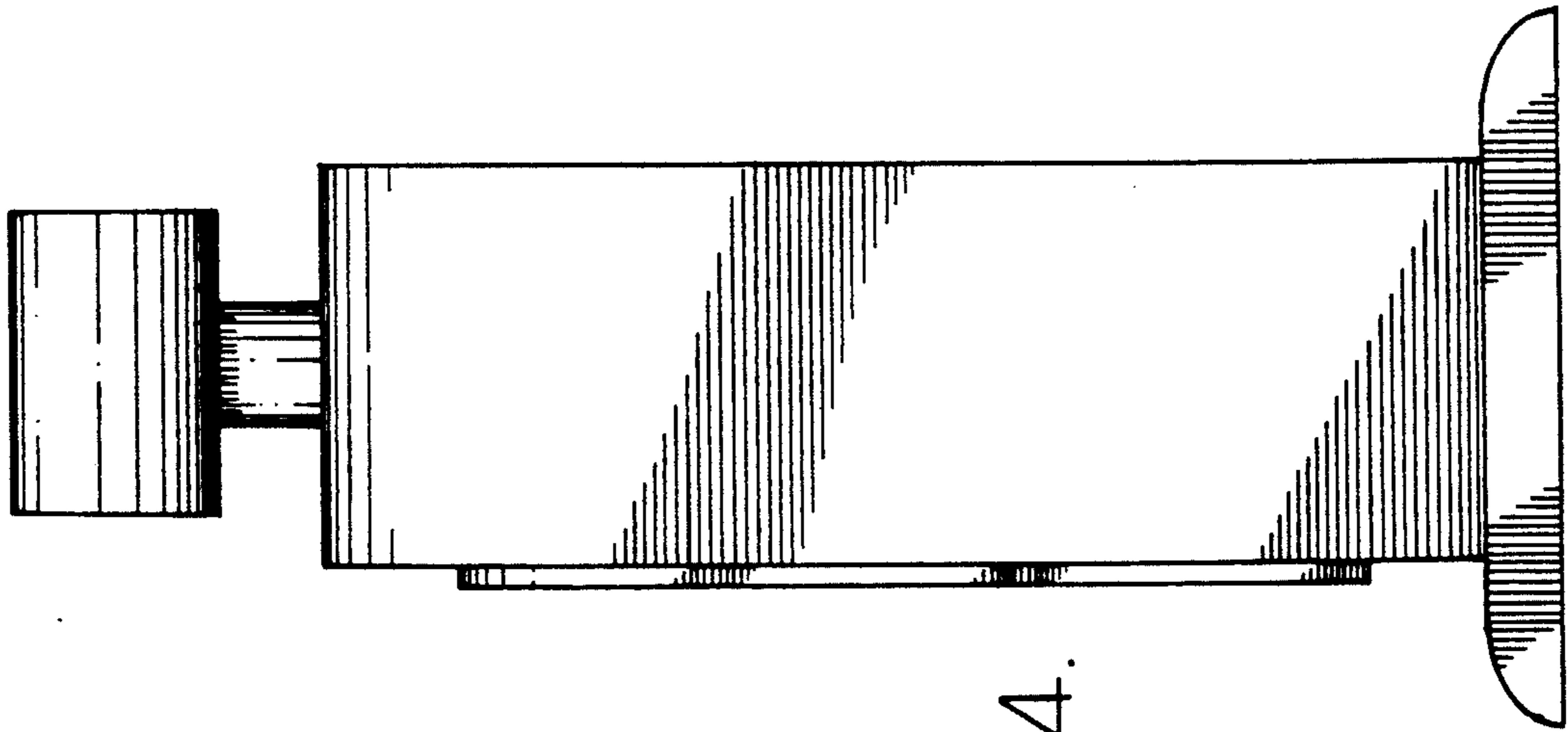


FIG. 4.

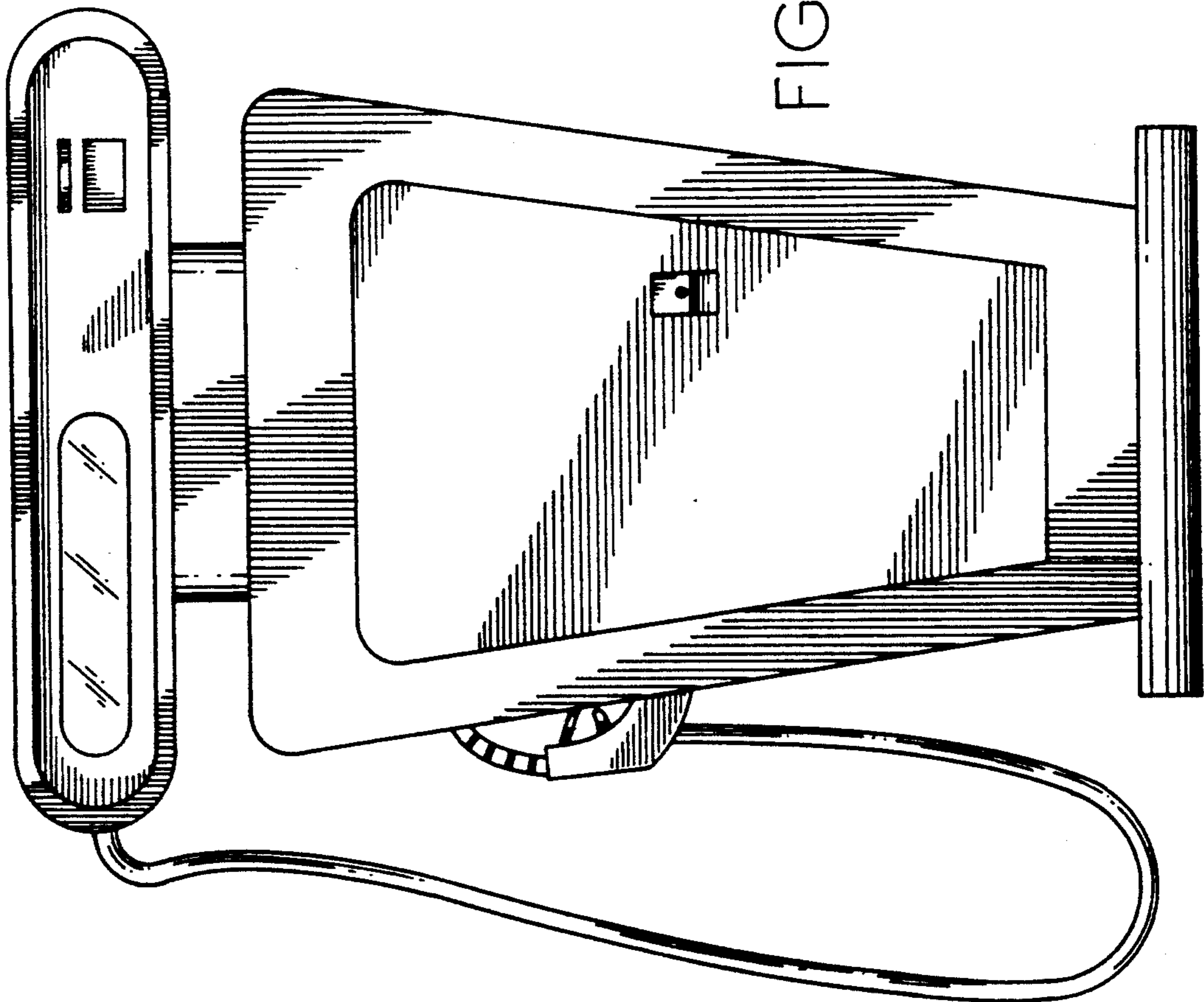


FIG. 2.

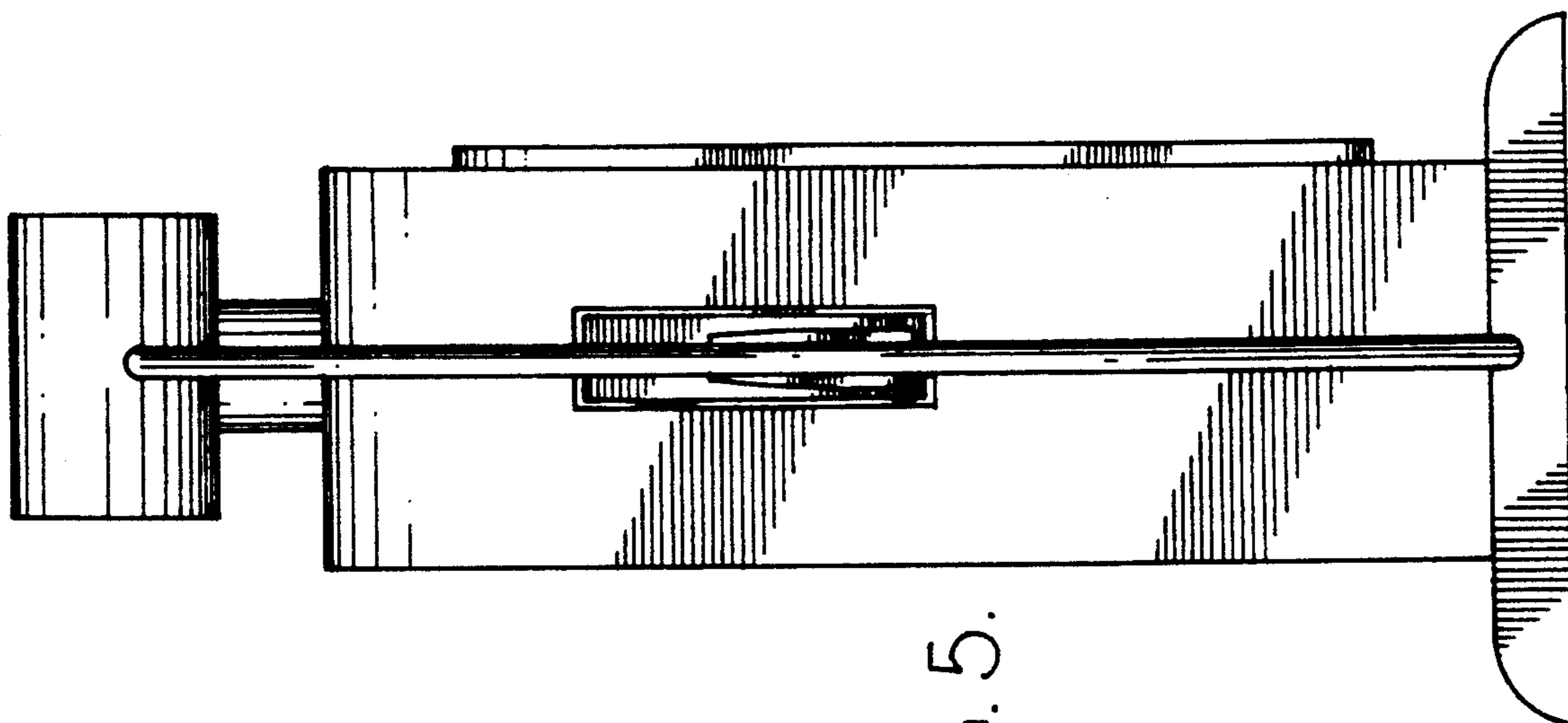


FIG. 5.

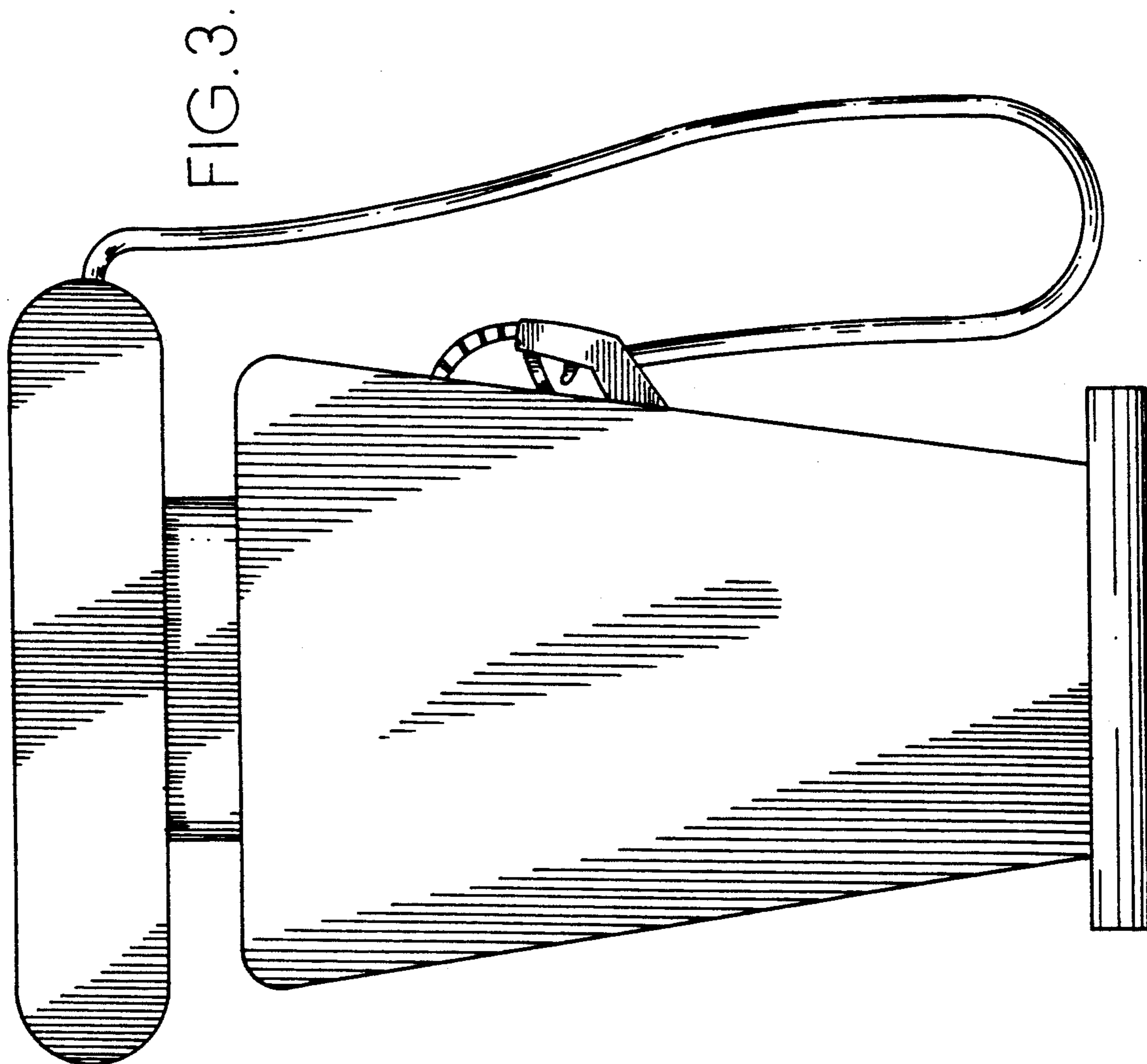


FIG. 3.

FIG. 7.

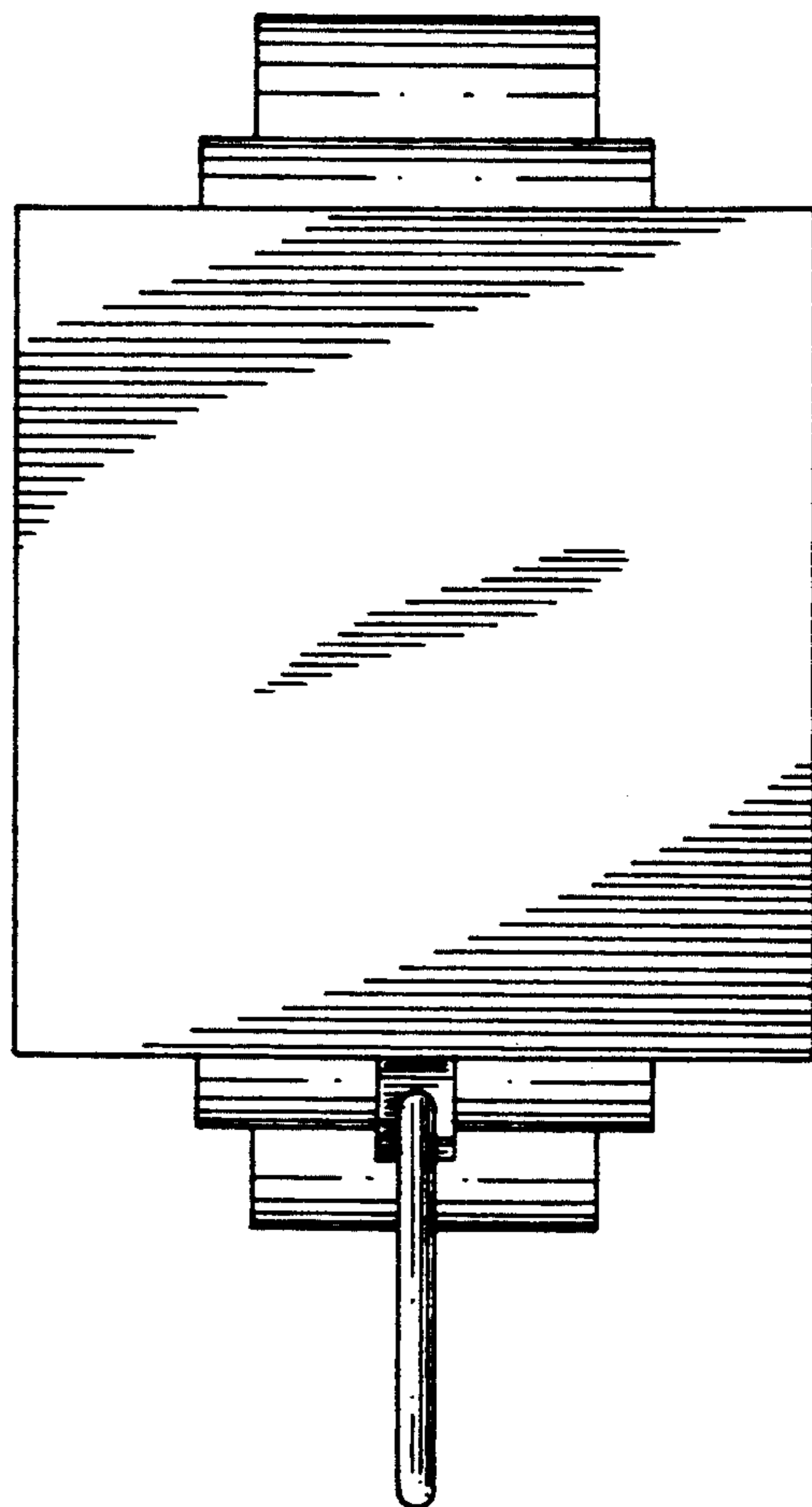


FIG. 6.

