



US00D334198S

# United States Patent [19]

[11] Patent Number: **Des. 334,198**

**Aizawa**

[45] Date of Patent: **\*\* Mar. 23, 1993**

[54] **AIR CYLINDER**

*Attorney, Agent, or Firm*—Oblon, Spivak, McClelland, Maier & Neustadt

[75] Inventor: **Akira Aizawa, Soka, Japan**

[57] **CLAIM**

[73] Assignee: **SMC Corporation, Tokyo, Japan**

The ornamental design for an air cylinder, as shown and described.

[\*\*] Term: **14 Years**

### DESCRIPTION

[21] Appl. No.: **487,162**

FIG. 1 is a front elevational view of an air cylinder showing my new design;

[22] Filed: **Feb. 28, 1990**

FIG. 2 is a rear elevational view;

### [30] Foreign Application Priority Data

Aug. 30, 1989 [JP] Japan ..... 1-31572

FIG. 3 is a right side elevational view;

[52] U.S. Cl. .... **D15/7; D15/5**

FIG. 4 is a left side elevational view;

[58] Field of Search ..... **D15/1, 2, 4, 5, 7-9; 417/403, 404; 91/275**

FIG. 5 is a right, front and top perspective view;

FIG. 6 is a right side elevational view of an air cylinder showing a second embodiment of my new design, the only difference from the embodiment shown in FIGS. 1 through 5 being the variation in length;

### [56] References Cited

#### U.S. PATENT DOCUMENTS

D. 244,681 6/1977 Bell ..... D15/7

D. 264,972 6/1982 McMillin et al. .... D15/7

D. 295,753 5/1988 LaBair ..... D15/7

4,597,721 7/1986 Santefort ..... 91/275

FIG. 7 is a right side elevational view of an air cylinder showing a third embodiment of my new design, the only difference from the embodiment shown in FIGS. 1 through 5 being the variation in length;

FIG. 8 is a top plan view of FIG. 1;

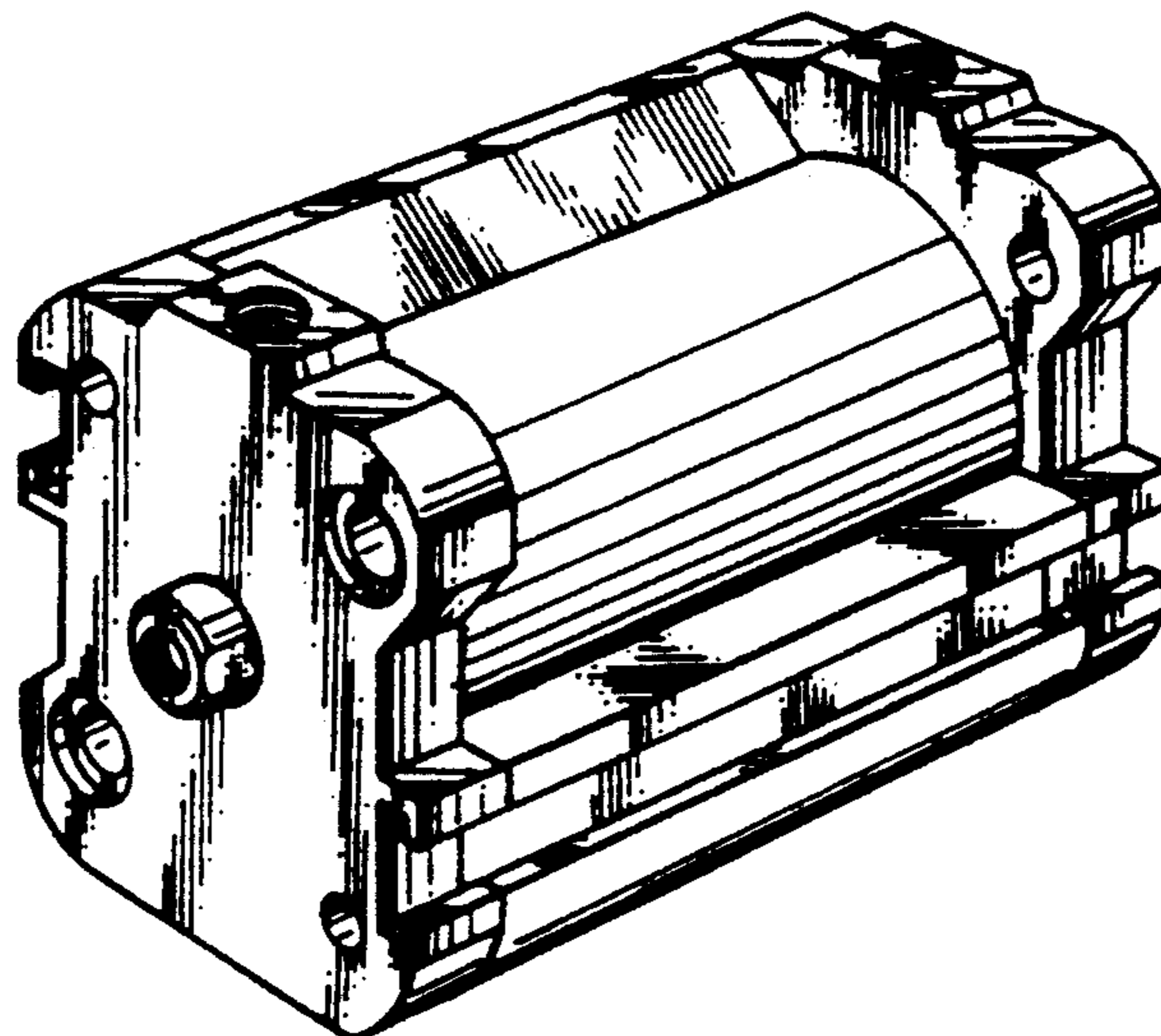
FIG. 9 is a bottom plan view of FIG. 1;

FIG. 10 is a cross sectional view taken along lines 10-10 of FIG. 3; and,

FIG. 11 is a cross sectional view taken along lines 11-11 of FIG. 1.

*Primary Examiner*—Louis S. Zarfas

*Assistant Examiner*—R. Seifert



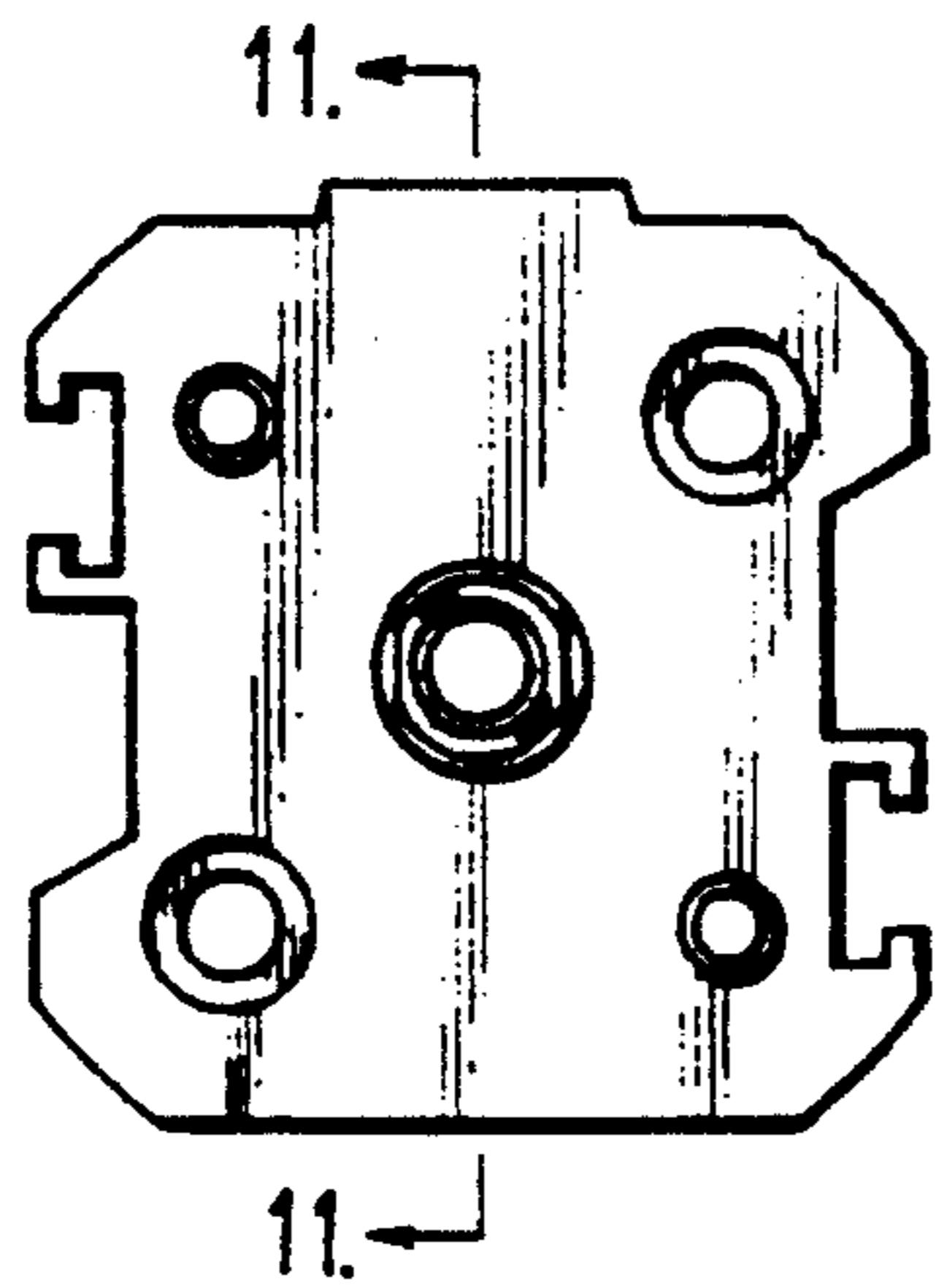


FIG. 1

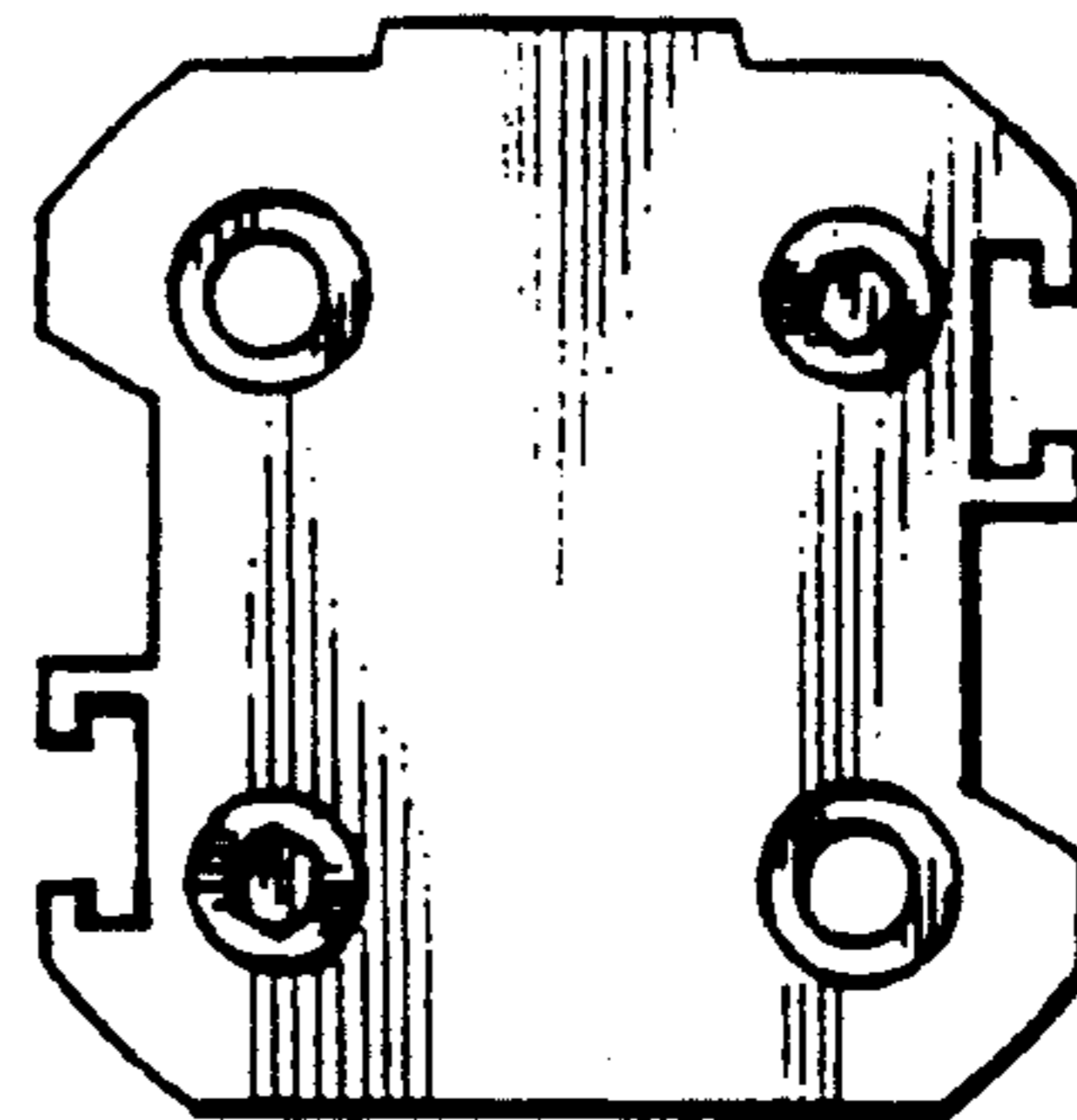


FIG. 2

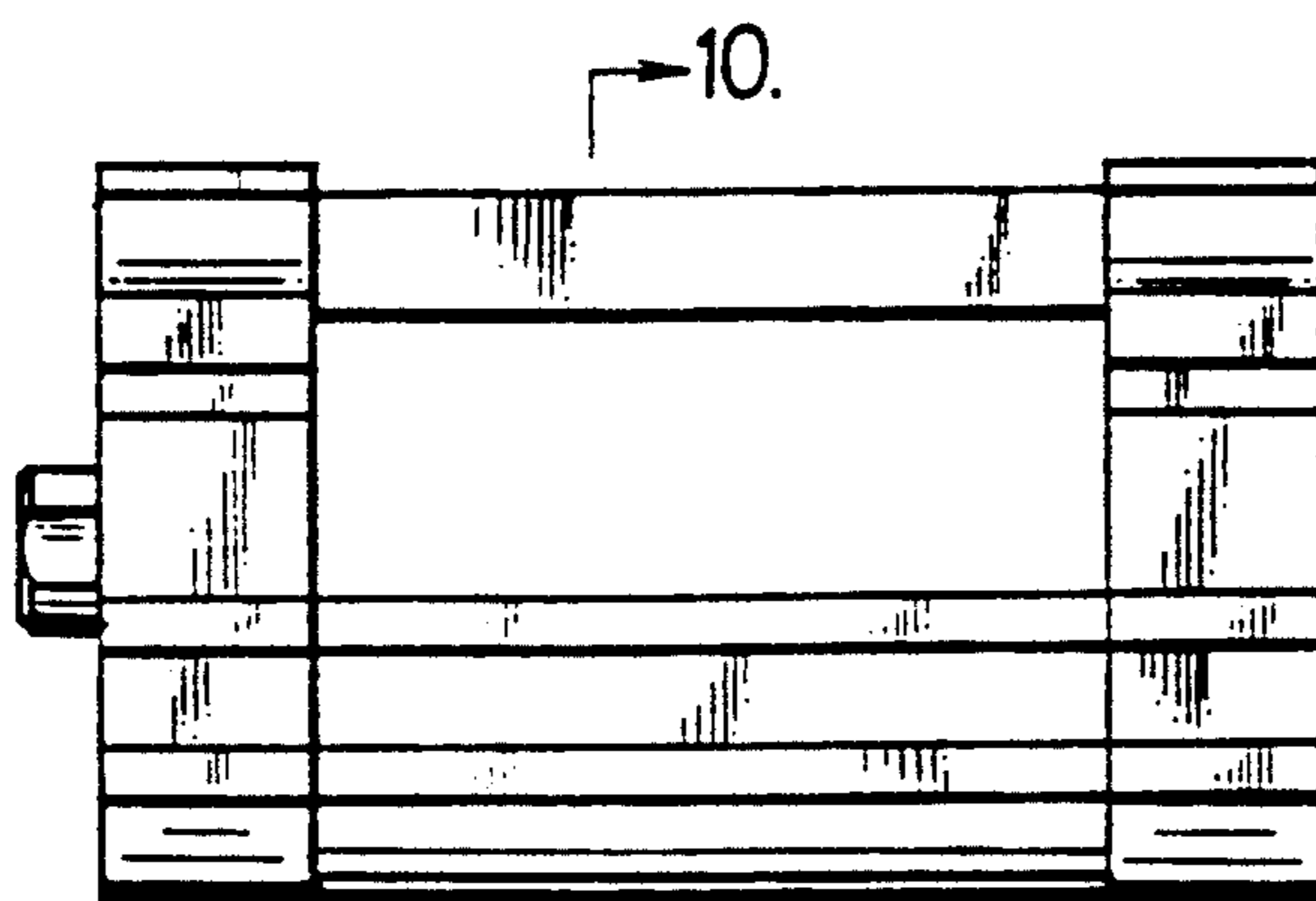


FIG. 3

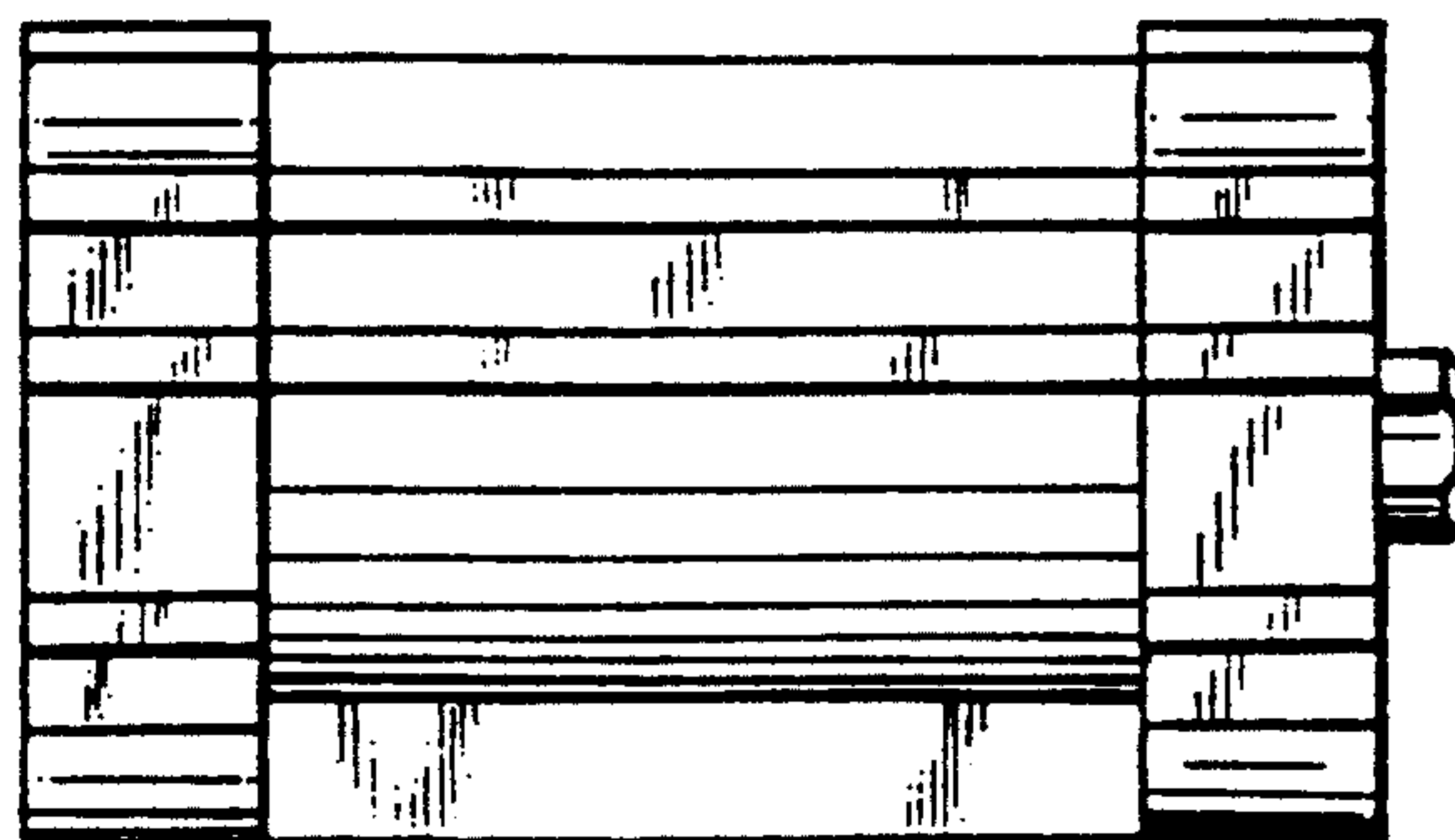


FIG. 4

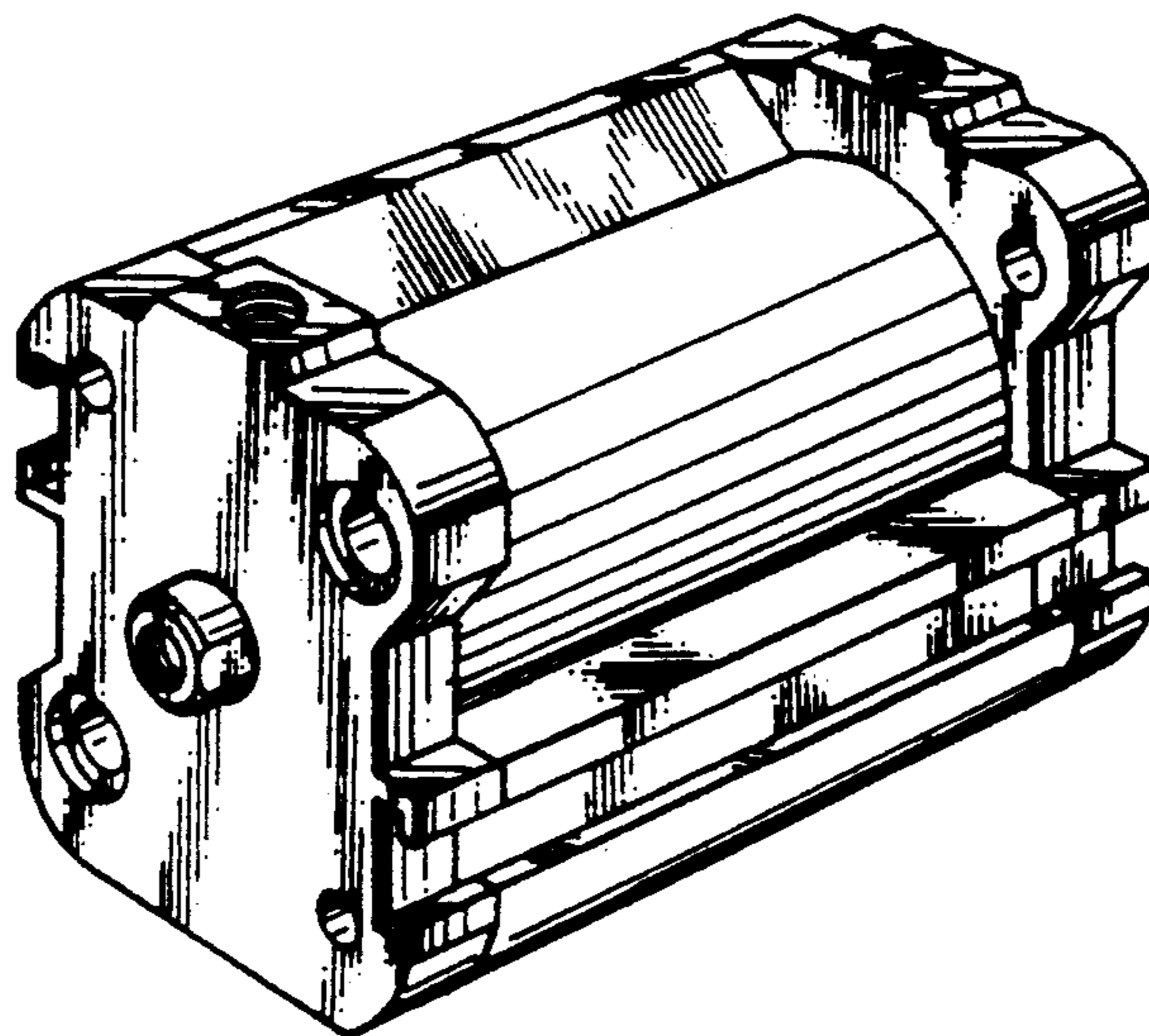


FIG. 5

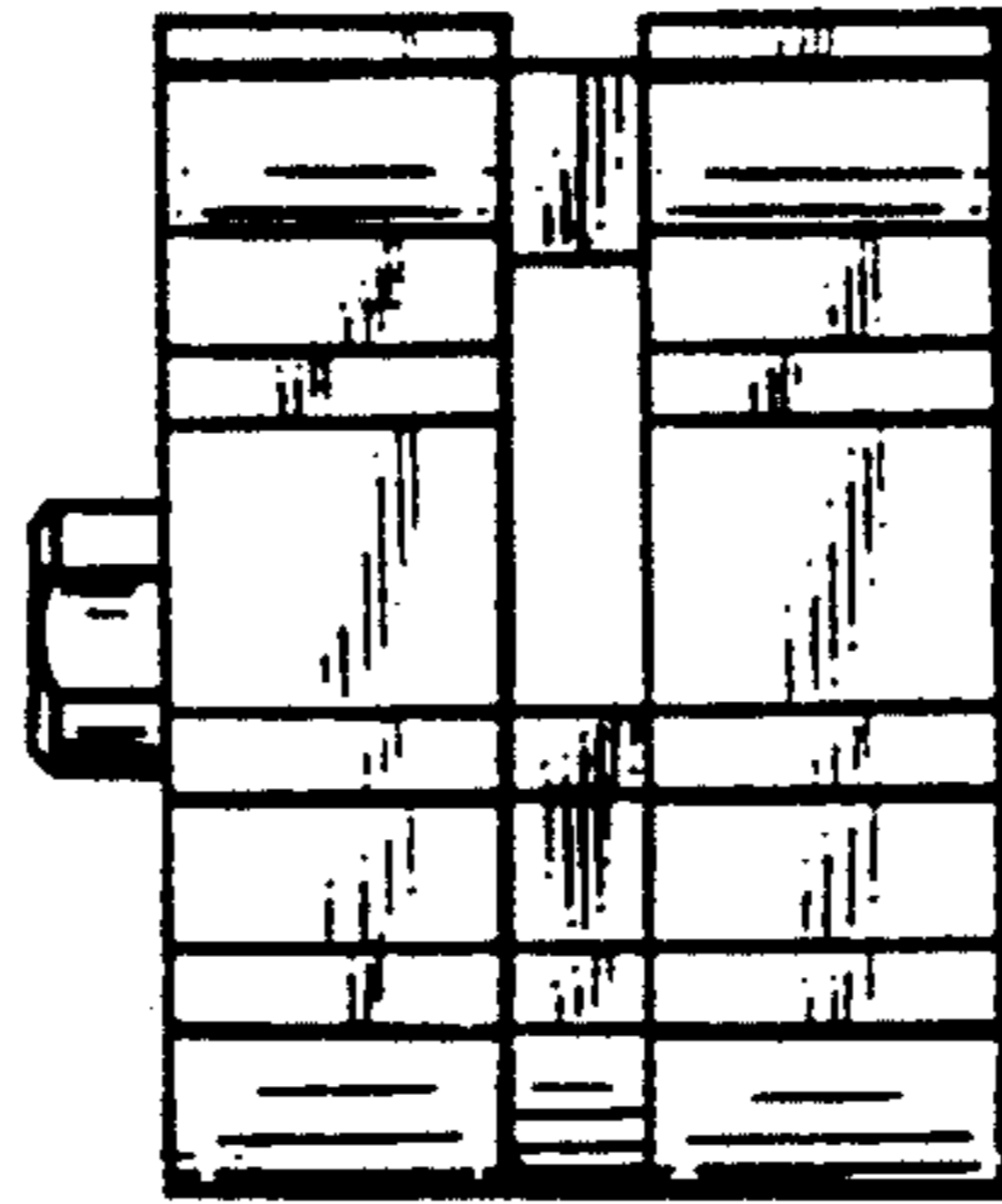


FIG. 6

FIG. 7

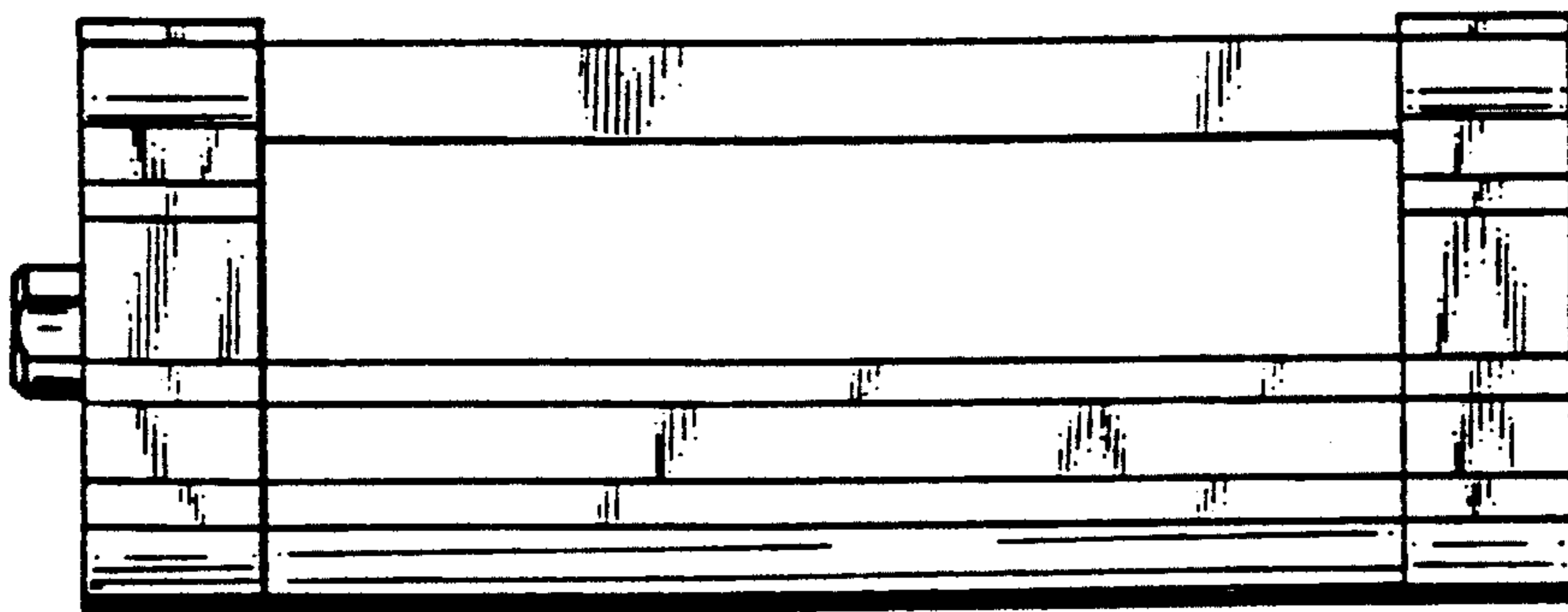




FIG. 8

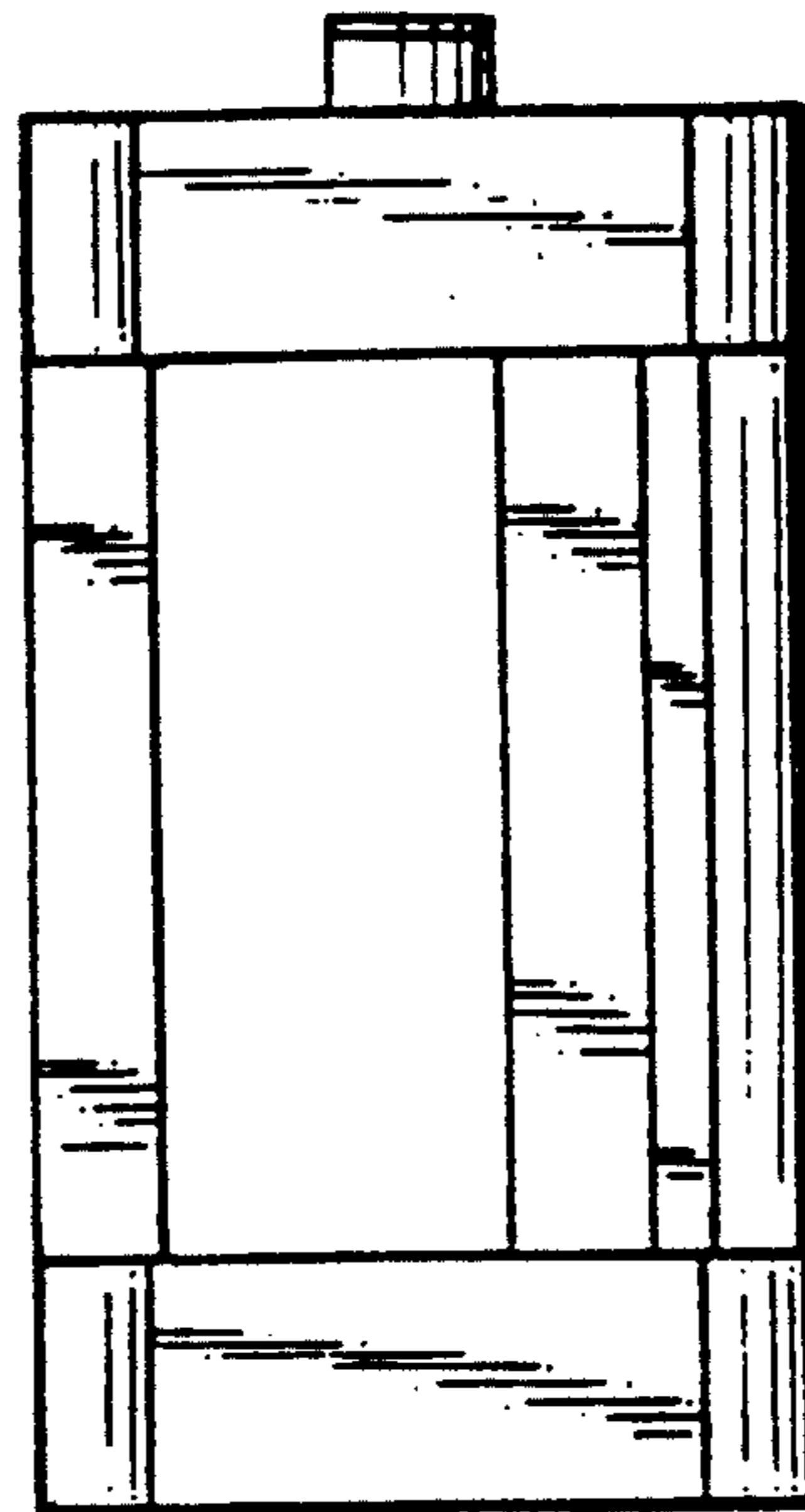


FIG. 9

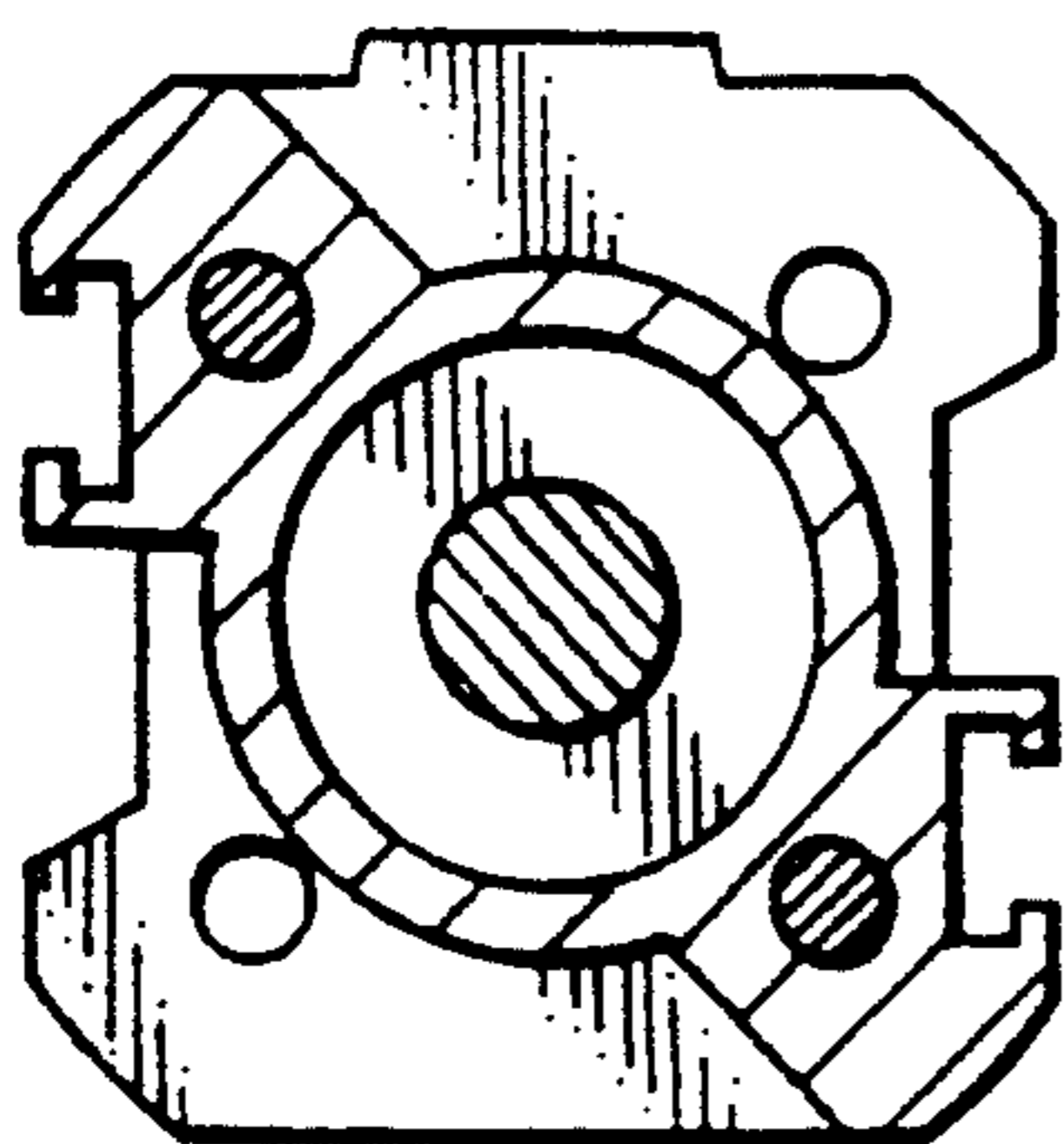


FIG. 10

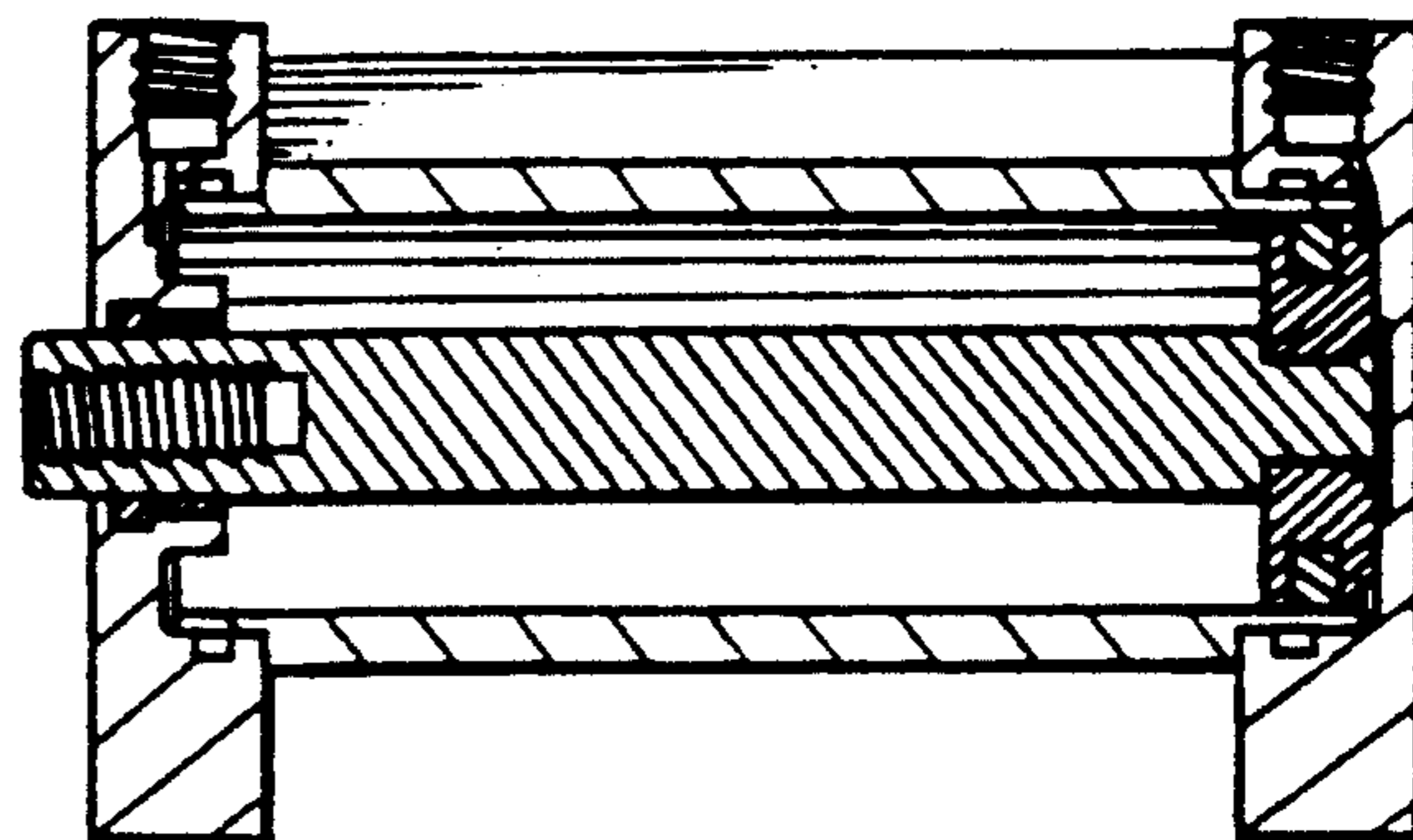


FIG. 11