



US00D334197S

United States Patent [19]
Flotow

[11] **Patent Number: Des. 334,197**
[45] **Date of Patent: ** Mar. 23, 1993**

[54] **CLUTCH RETAINER**

[75] **Inventor: Richard A. Flotow, Butler, Ind.**

[73] **Assignee: Dana Corporation, Toledo, Ohio**

[**] **Term: 14 Years**

[21] **Appl. No.: 523,659**

[22] **Filed: May 15, 1990**

[52] **U.S. Cl. D15/5**

[58] **Field of Search D15/1-5,
D15/149; 192/70.29, 70.3, 89 B, 70.27**

[56] **References Cited**

U.S. PATENT DOCUMENTS

3,276,555 8/1966 Phelps et al. 192/70.3
3,410,382 11/1968 Root et al. 192/70.3

Primary Examiner—A. Hugo Word

Assistant Examiner—R. Seifert

Attorney, Agent, or Firm—MacMillan, Sobanski & Todd

[57] **CLAIM**

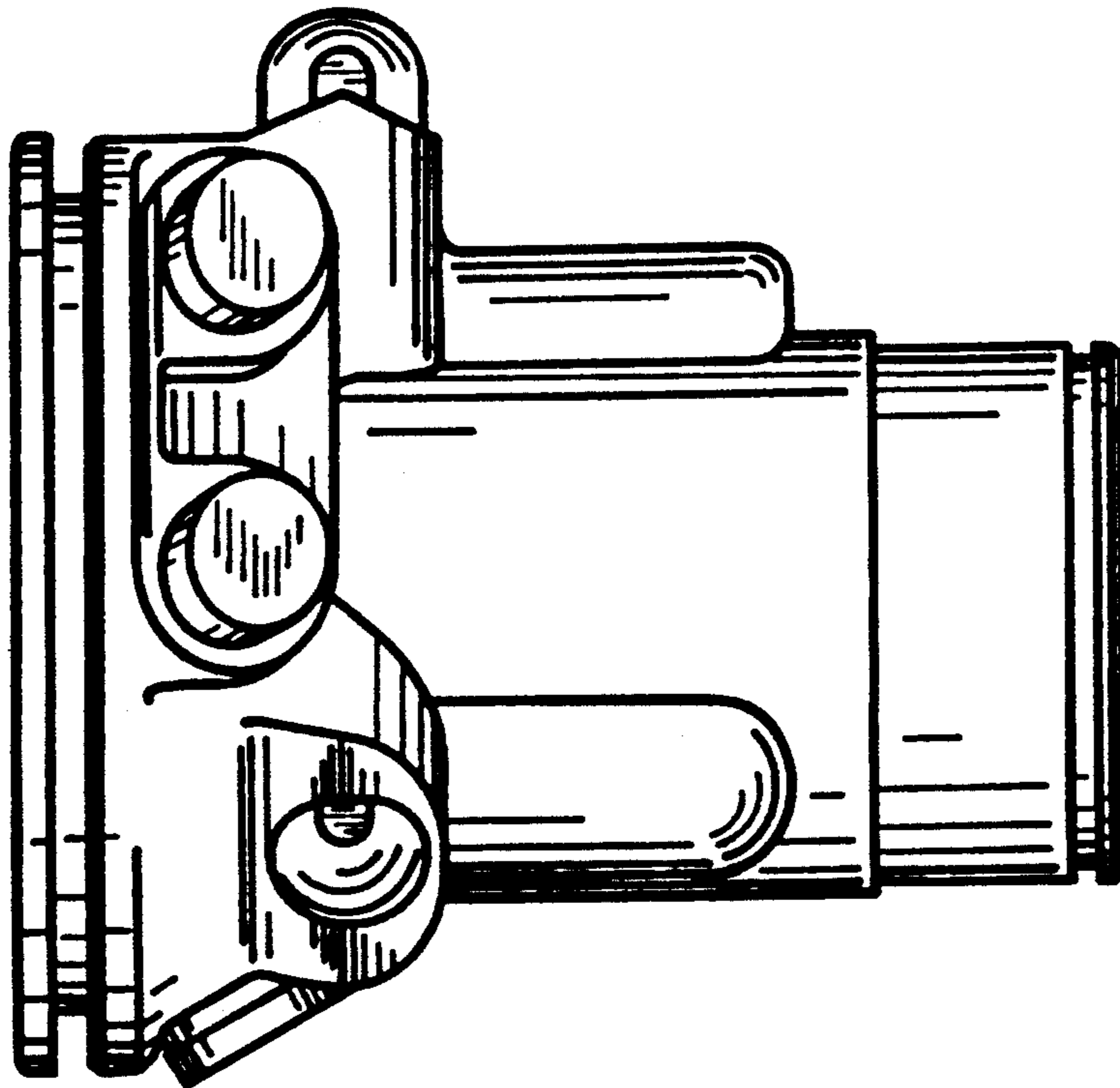
The ornamental design for a clutch retainer, as shown.

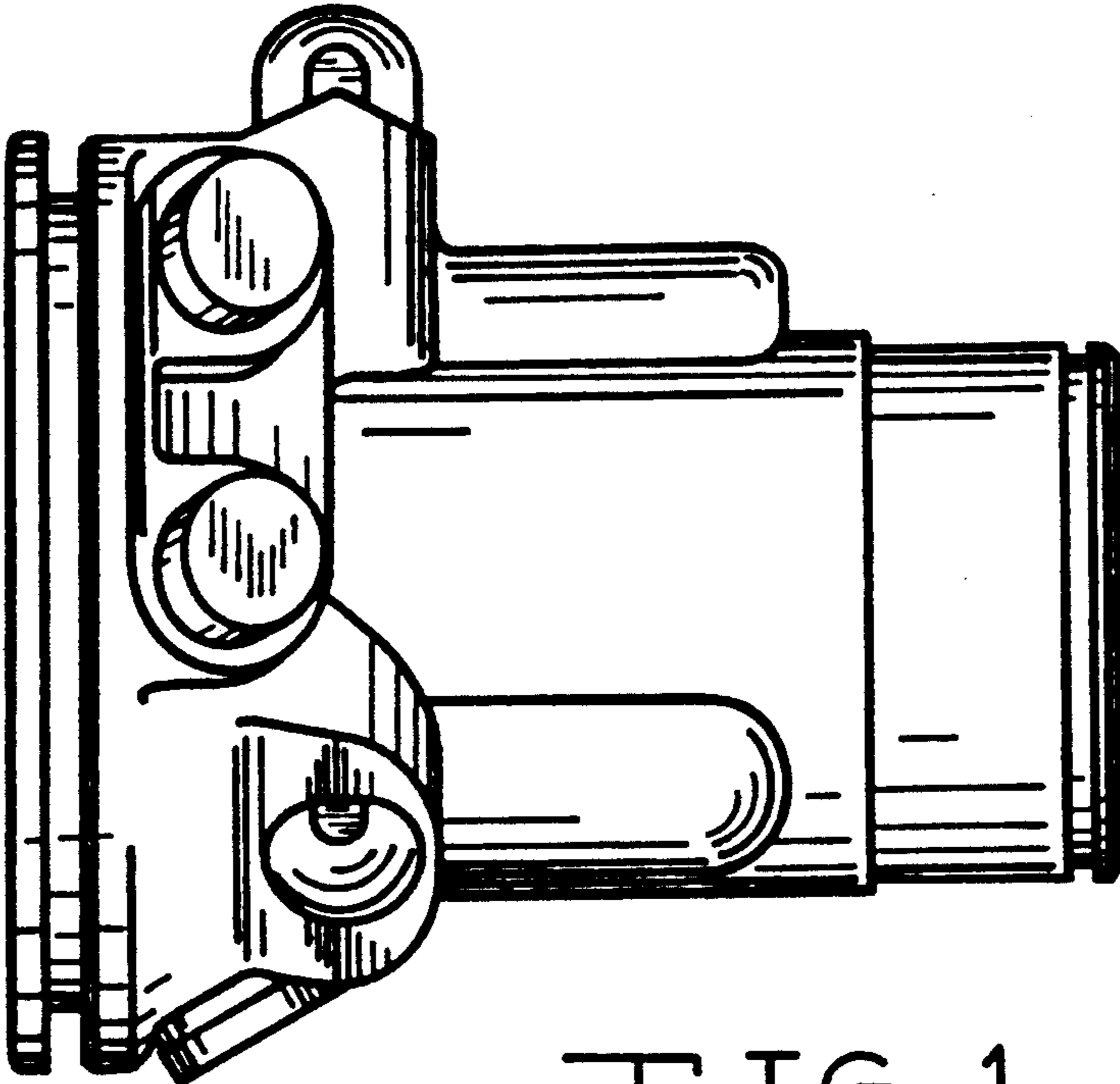
DESCRIPTION

FIG. 1 is a front end elevational view of a clutch re-
tainer showing my design;

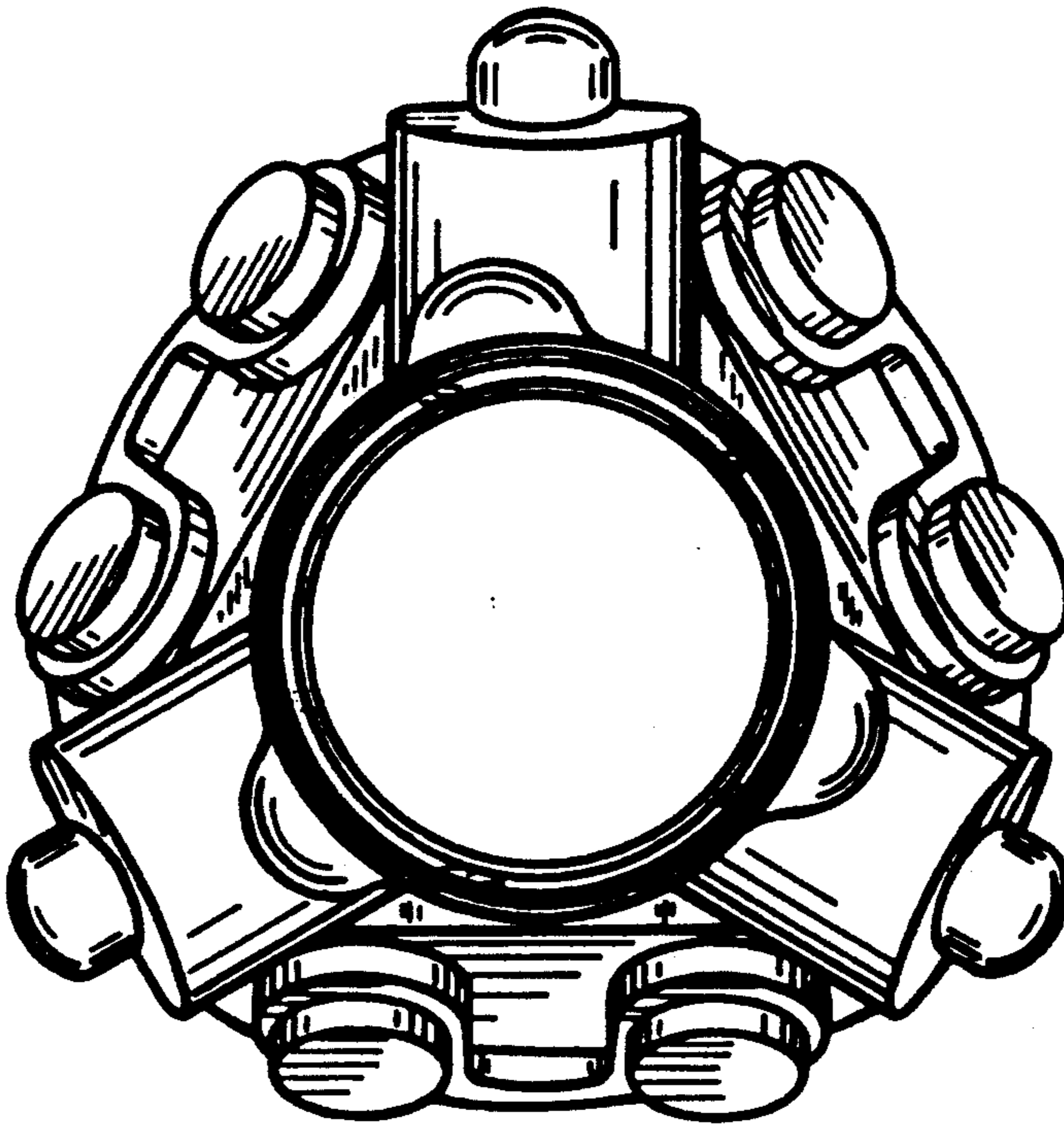
FIG. 2 is a rear end elevational view thereof; and,

FIG. 3 is a side elevational view thereof.

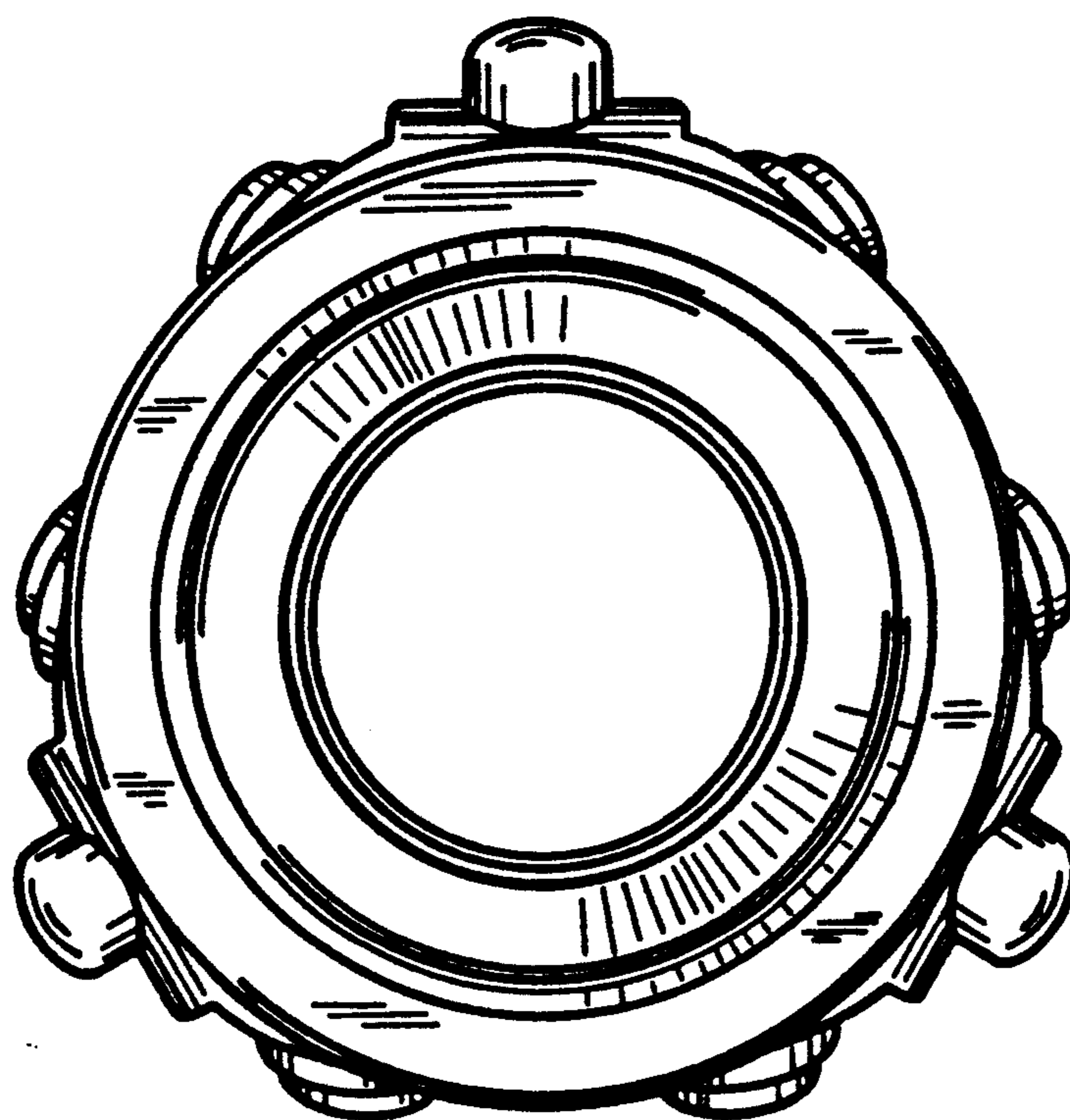




— FIG. 1



— FIG. 2



—FIG. 3