



US00D334196S

United States Patent [19]

Seggerman

[11] Patent Number: Des. 334,196

[45] Date of Patent: ** Mar. 23, 1993

[54] TELEPHONE HANDSET EAR PAD

[76] Inventor: Myron D. Seggerman, 628 8th St. N.
Apt. #20, Naples, Fla. 33940

[**] Term: 14 Years

[21] Appl. No.: 630,948

[22] Filed: Dec. 20, 1990

[52] U.S. Cl. D14/249; D14/205

[58] Field of Search D14/204, 205, 206, 249;
379/451, 433

2,622,159	12/1952	Herman	D14/249 X
2,650,269	8/1953	Webb	179/185
2,782,423	2/1957	Simon et al.	D14/205 X
3,530,261	9/1970	Guim	179/185
4,821,318	4/1989	Wu	379/433 X

FOREIGN PATENT DOCUMENTS

1186020	4/1959	France	.
1204191	7/1960	France	.

Primary Examiner—Horace B. Fay, Jr.
Attorney, Agent, or Firm—Terry M. Gernstein

[57] CLAIM

The ornamental design for a telephone handset ear pad, as shown and described.

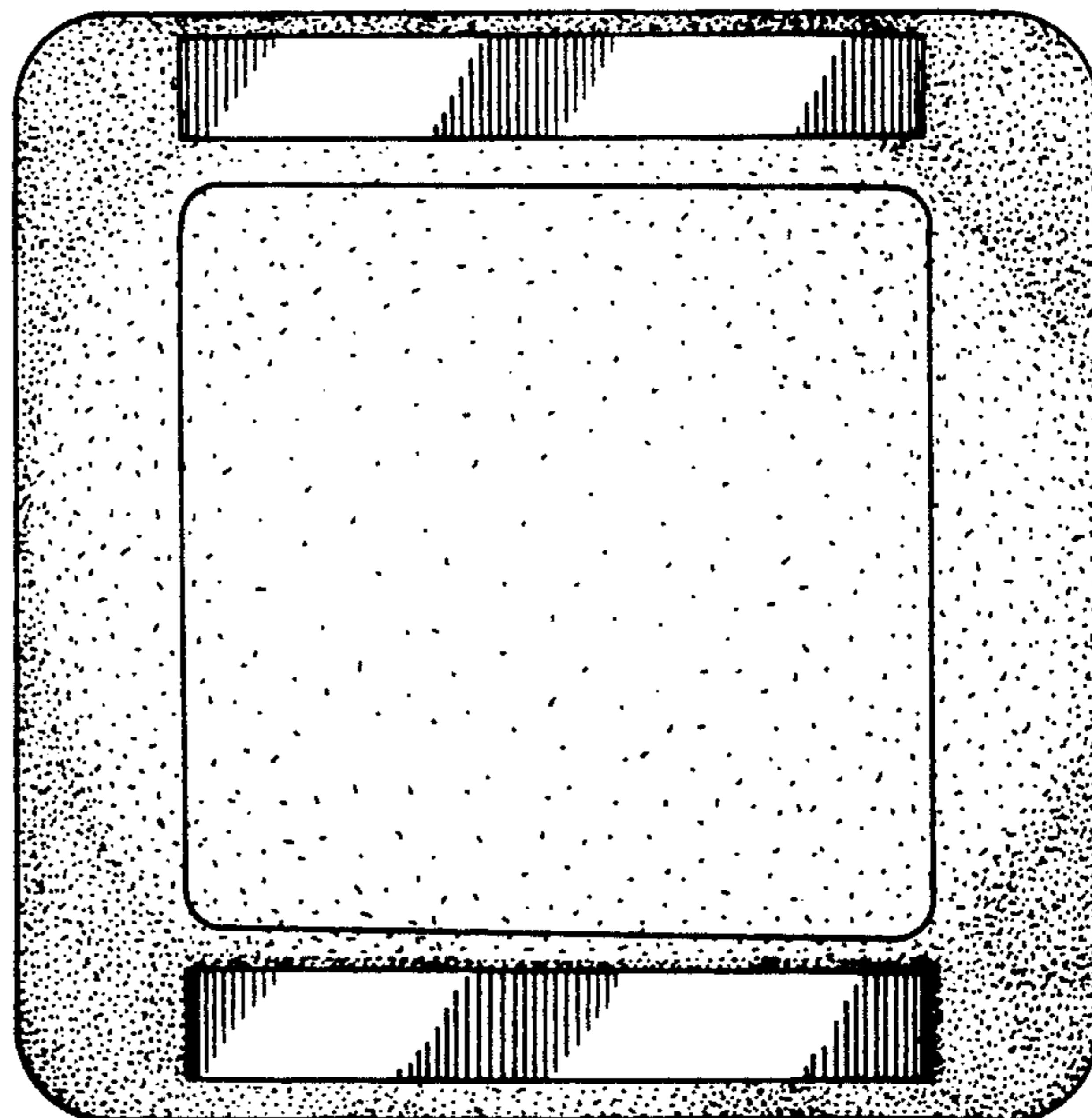
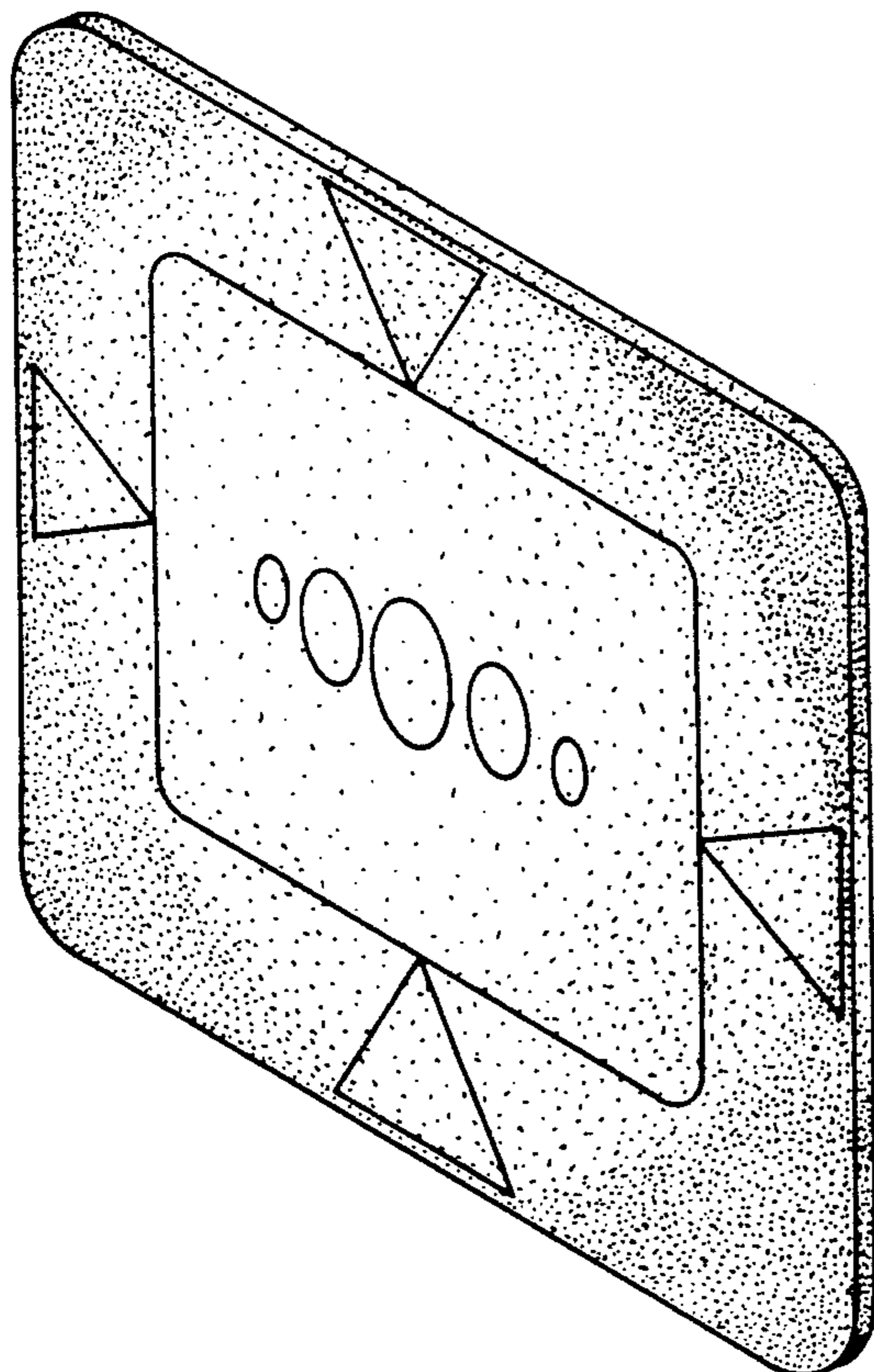
[56] References Cited

U.S. PATENT DOCUMENTS

D. 254,183	2/1980	Doodson	D14/205
D. 254,616	4/1980	Tabata	D14/205
D. 255,352	6/1980	Besasio	D14/205
D. 258,430	3/1981	Hayashi	D14/205
D. 266,417	10/1982	Perez	D14/205
D. 299,025	12/1988	Besasio	D14/205
D. 317,009	5/1991	Stevenson	D14/249
D. 317,767	6/1991	Banks	D14/205
1,757,463	5/1930	McCan	.	
1,946,617	2/1934	Elboz	179/185

DESCRIPTION

FIG. 1 is a perspective view of a telephone handset ear pad showing my new design; FIGS. 2 and 3 are respectively front and rear elevational views thereof; FIG. 4 is a side elevational view, the side opposite being a mirror image; and, FIG. 5 is a top end view thereof; the bottom view being identical to the top end.



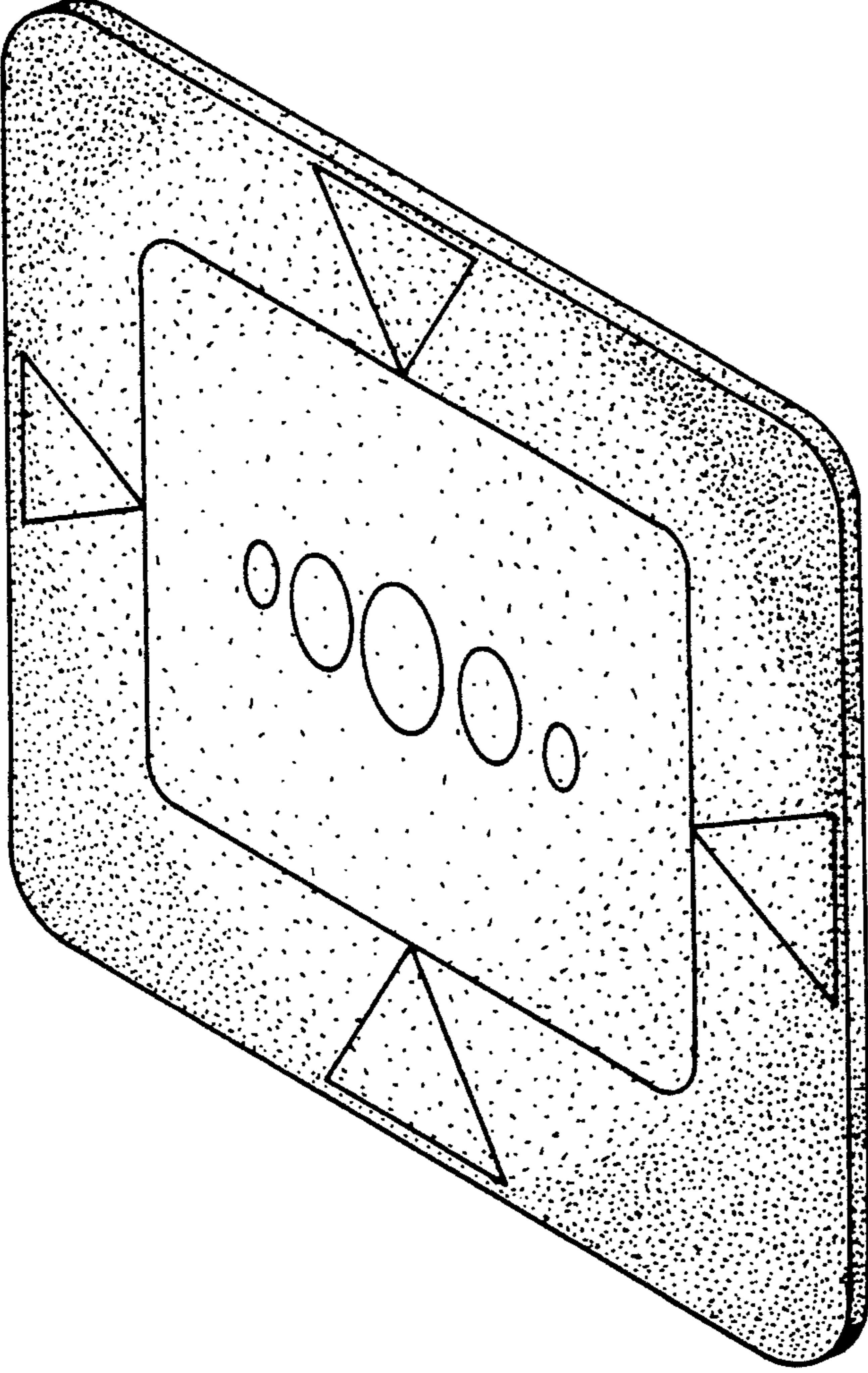


FIG.1.

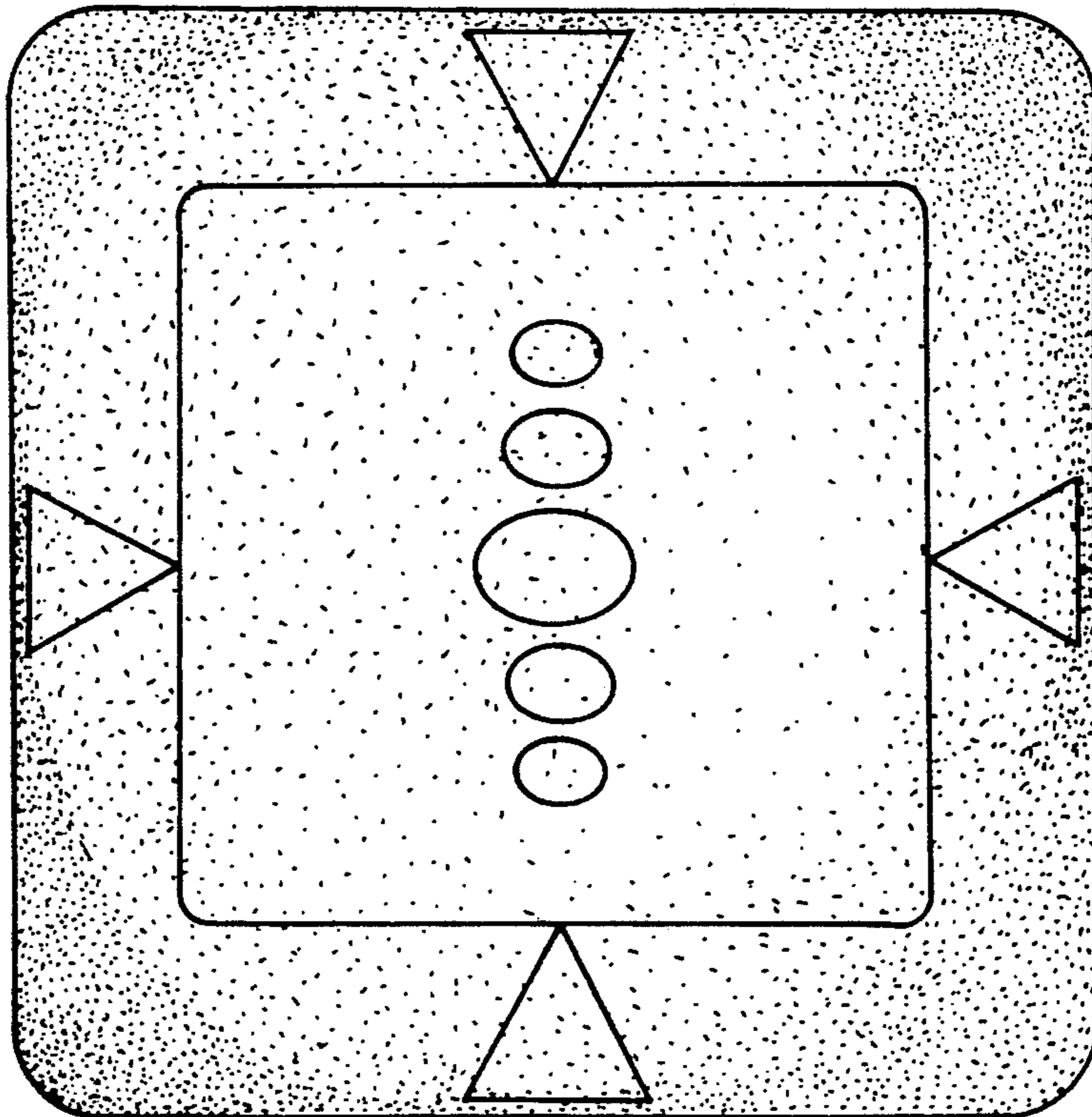


FIG. 2.



FIG. 4. FIG. 5.

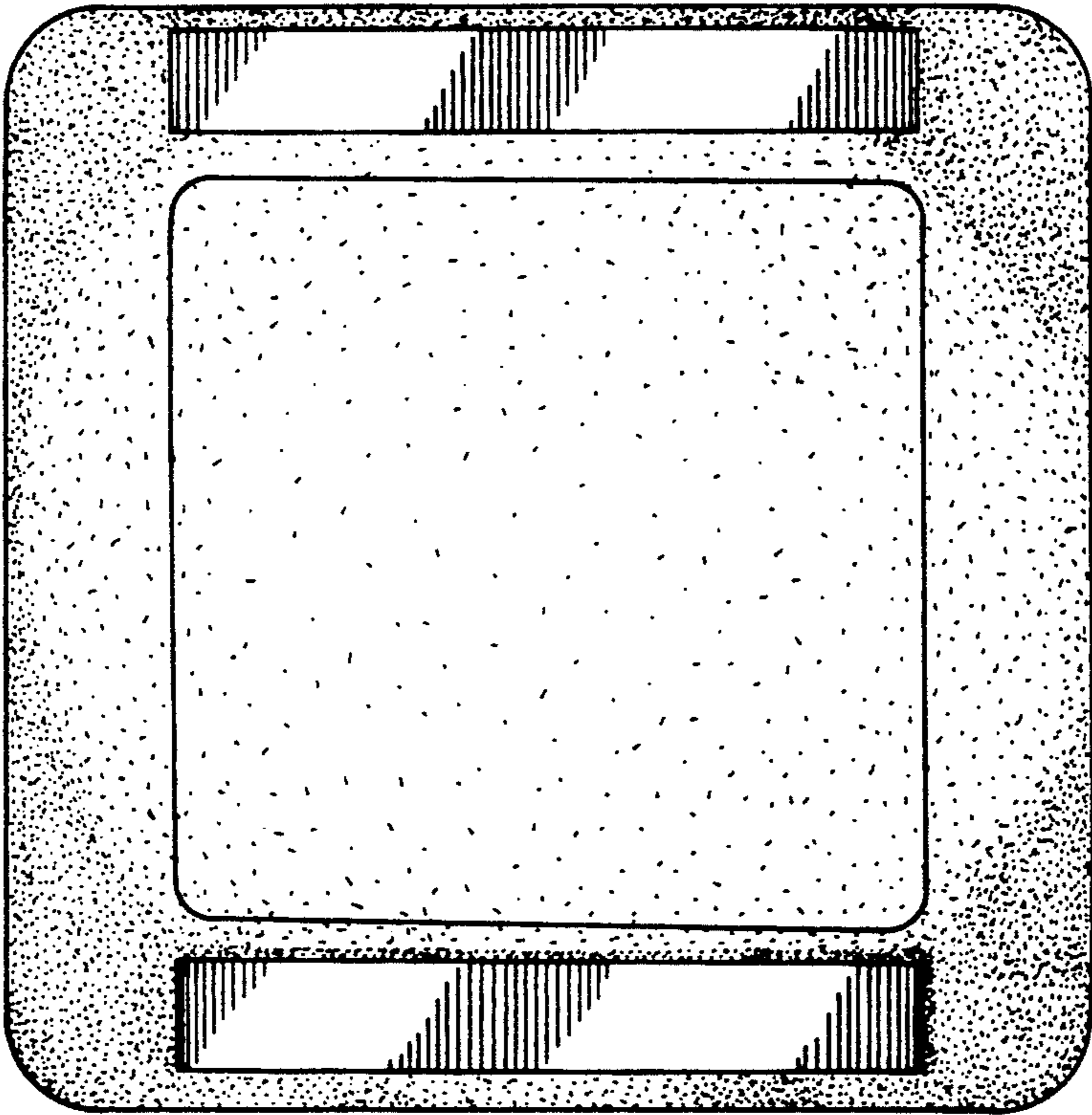


FIG. 3.