



US00D334190S

United States Patent [19]
Oka

[11] **Patent Number: Des. 334,190**
[45] **Date of Patent: ** Mar. 23, 1993**

[54] **DIGITAL AUDIO TAPE RECORDER**

D. 321,194 10/1991 Ito et al. D14/168
D. 328,896 8/1992 Warburton D14/188 X

[75] **Inventor: Satoshi Oka, Yao, Japan**

OTHER PUBLICATIONS

[73] **Assignee: Sharp Kabushiki Kaisha, Osaka, Japan**

Stereo Review; Oct. 1988; p. 71; Top-Sony Model TCD-D10 and Technics Model SV-MD1 cassette recorders.

[**] **Term: 14 Years**

Primary Examiner—Theodore M. Shooman
Attorney, Agent, or Firm—Nixon & Vanderhye

[21] **Appl. No.: 625,165**

[57] **CLAIM**

[22] **Filed: Dec. 6, 1990**

The ornamental design for a digital audio tape recorder, as shown and described.

[30] **Foreign Application Priority Data**

Jun. 6, 1990 [JP] Japan 2-19236

DESCRIPTION

[52] **U.S. Cl. D14/164**

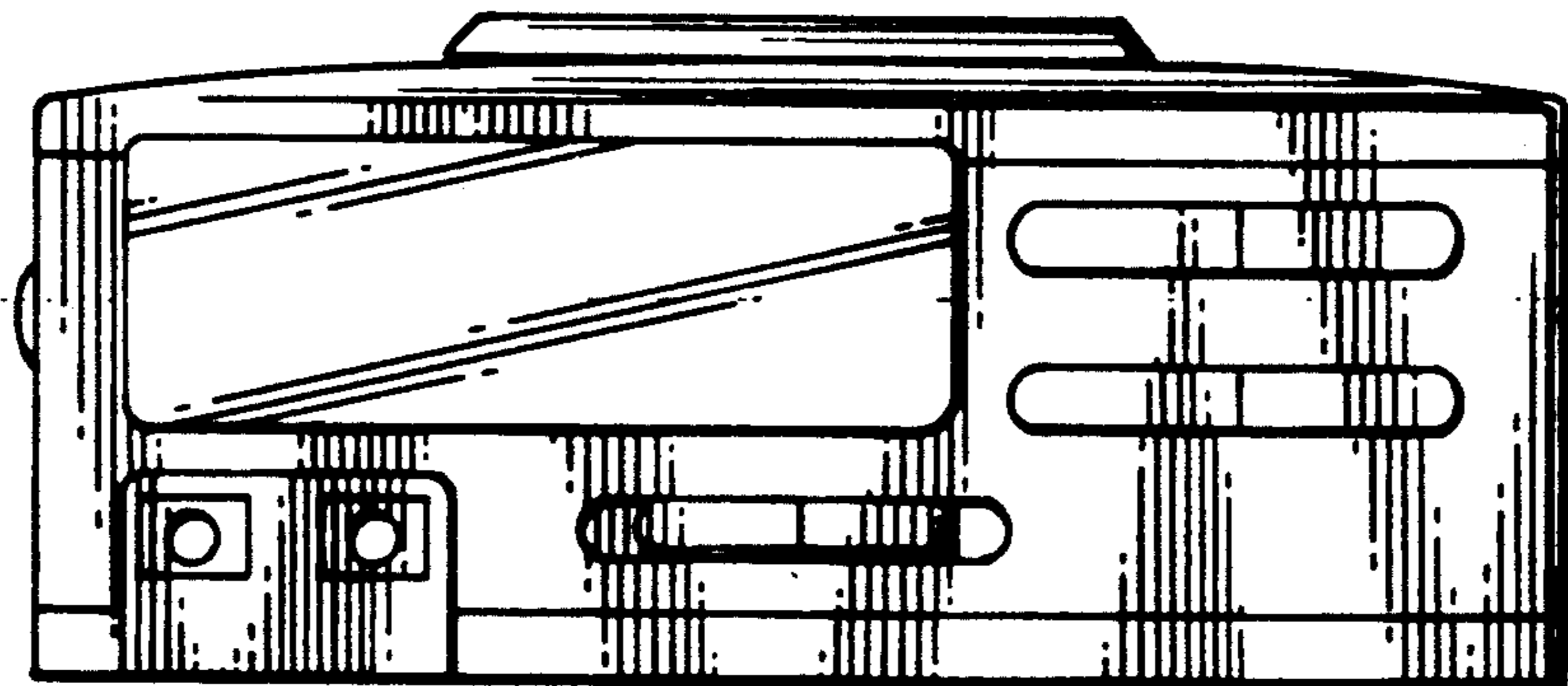
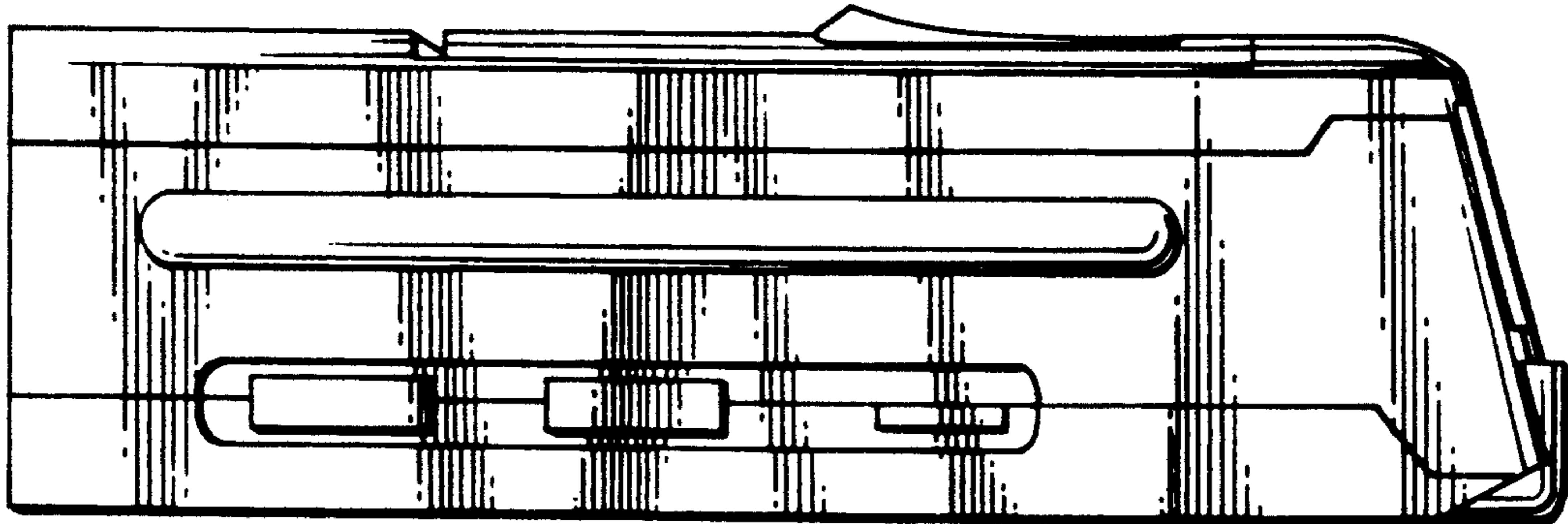
[58] **Field of Search D14/160-168, D14/154, 188, 192, 194-196; 455/344, 350-351**

FIG. 1 is a left side elevational view of a digital audio tape recorder showing my new design; FIG. 2 is a right side elevational view thereof; FIG. 3 is a front elevational view thereof; FIG. 4 is a rear elevational view thereof; FIG. 5 is a top plan view thereof; and, FIG. 6 is a bottom plan view thereof.

[56] **References Cited**

U.S. PATENT DOCUMENTS

D. 310,078 8/1990 Naito D14/164
D. 314,574 2/1991 Kato D14/163



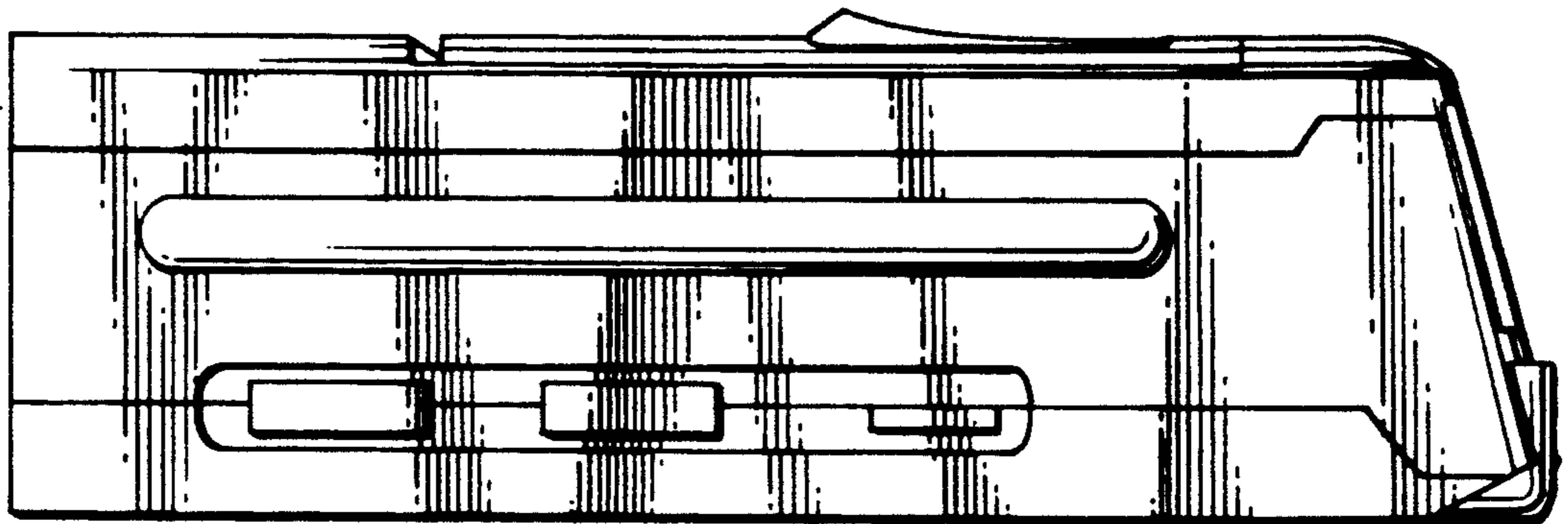


FIG. 1

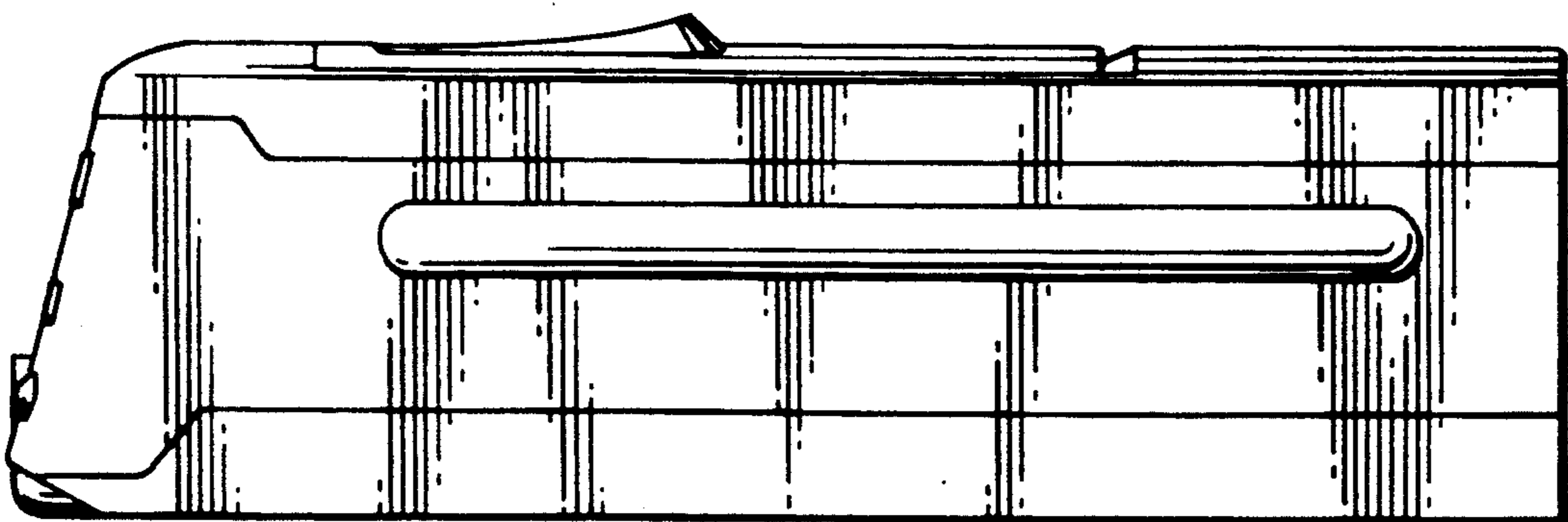


FIG. 2

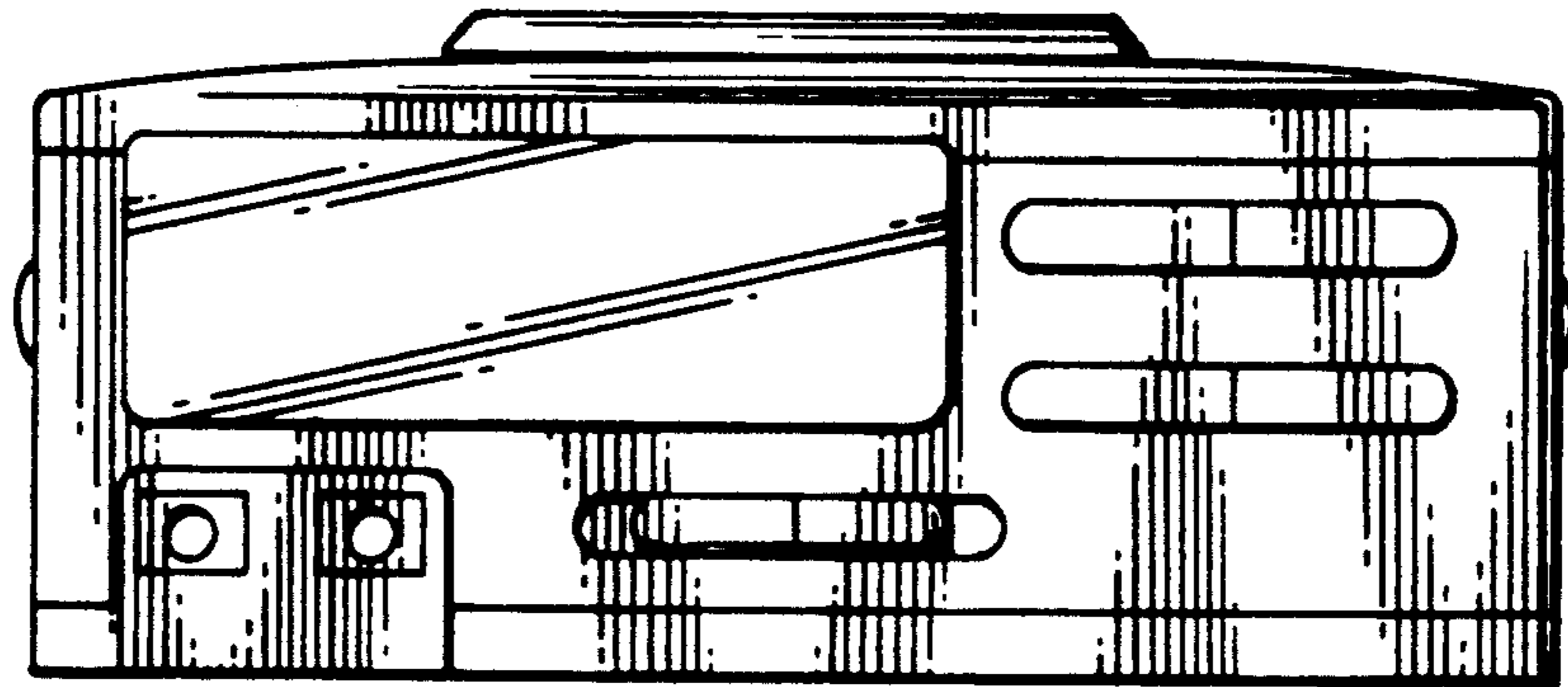


FIG. 3

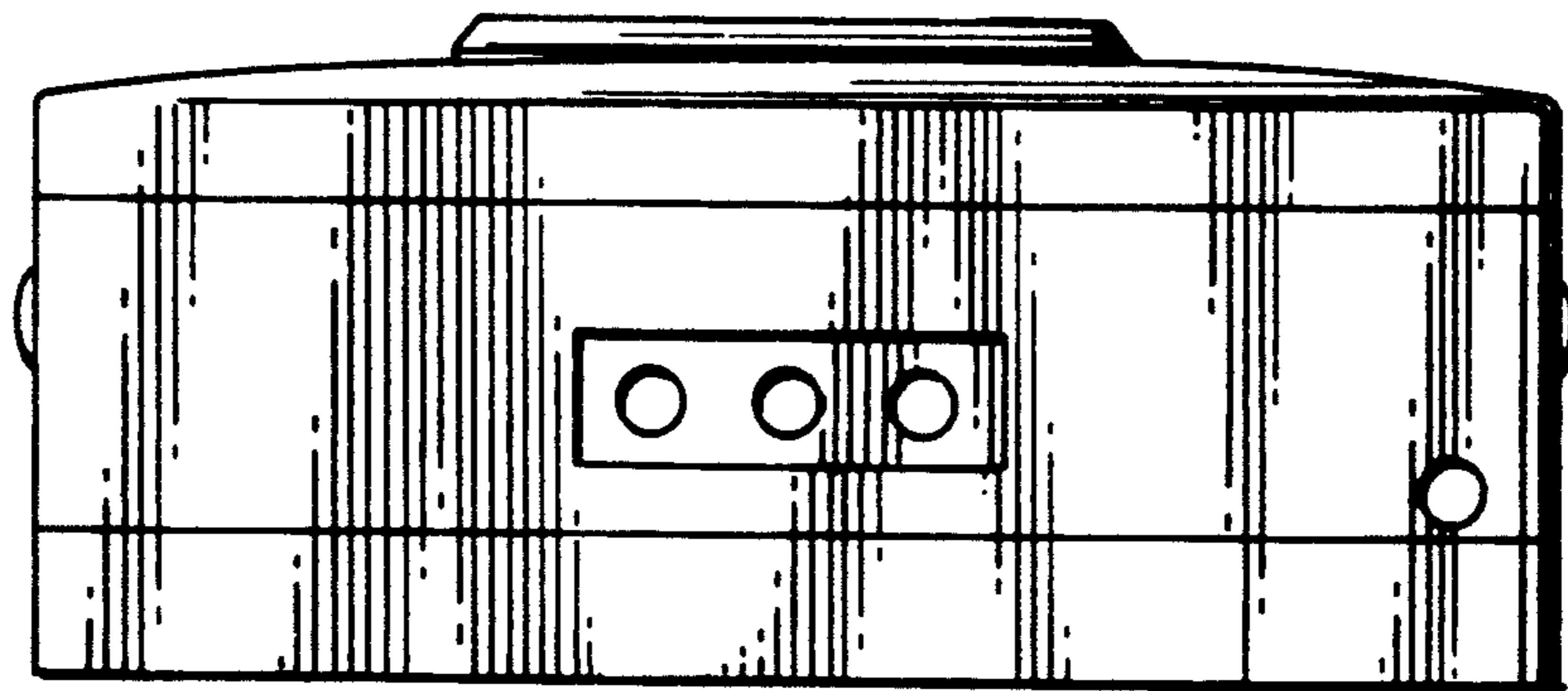


FIG. 4

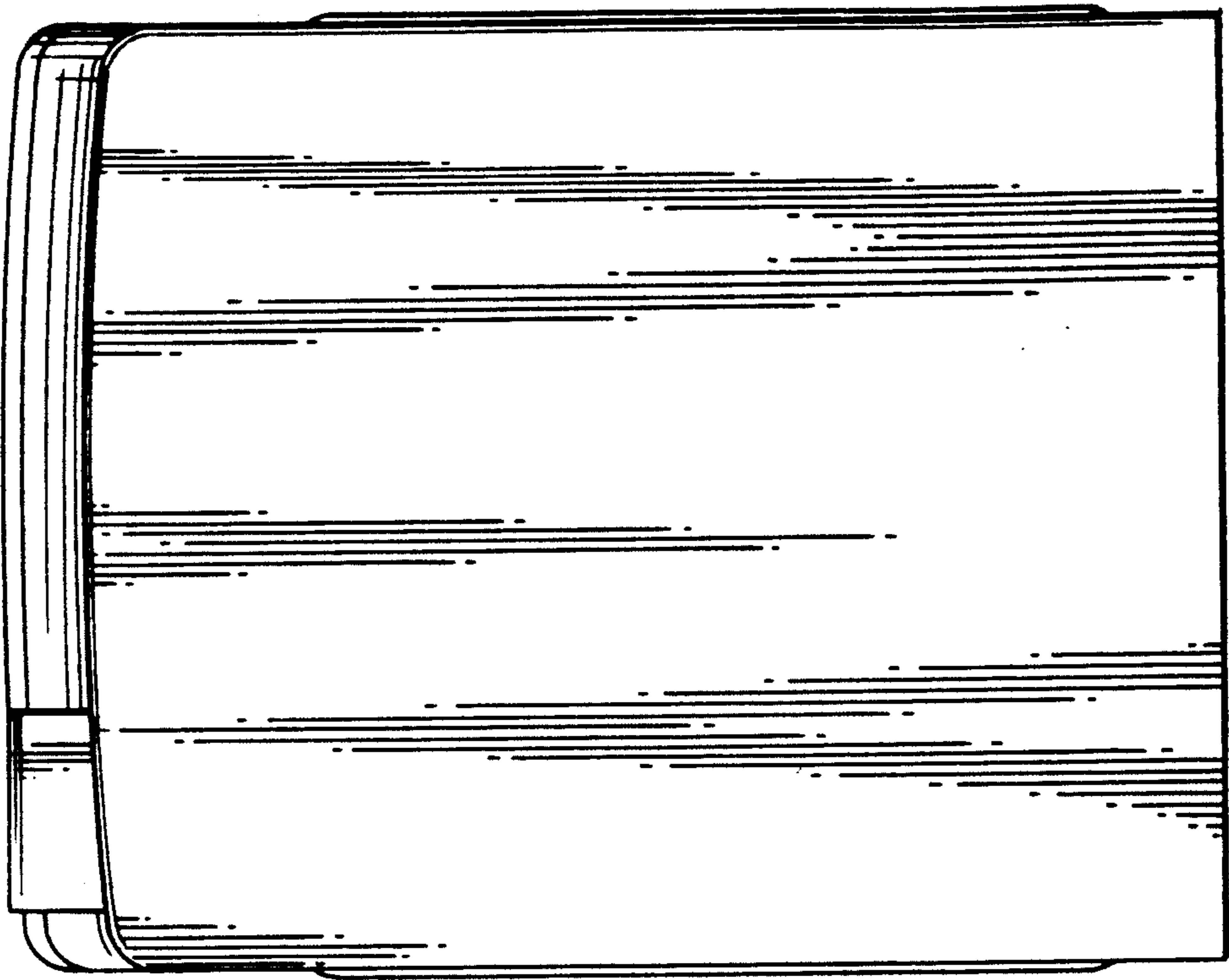


FIG. 6

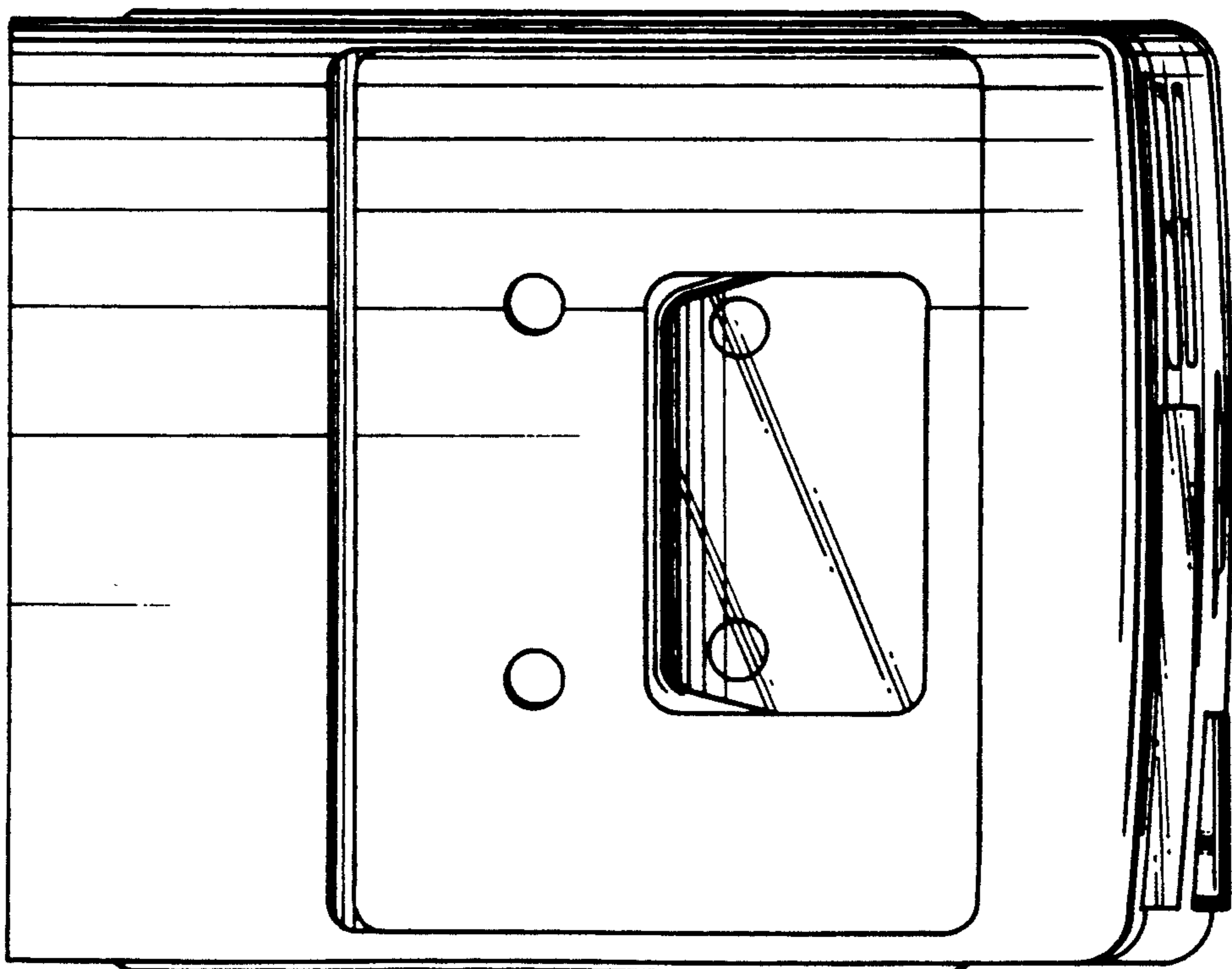


FIG. 5