



US00D334188S

United States Patent [19]

[11] Patent Number: **Des. 334,188**

Lau Woon

[45] Date of Patent: **** Mar. 23, 1993**

- [54] **COMBINATION TELEPHONE, CLOCK, RADIO, LAMP AND MEMO TRAY**
- [75] Inventor: **Harry Lau Woon, Fo Tan Shatin, Hong Kong**
- [73] Assignee: **Kum Kong Technological Industrial Limited, Shatin, Hong Kong**
- [**] Term: **14 Years**
- [21] Appl. No.: **690,764**
- [22] Filed: **Apr. 24, 1991**
- [52] U.S. Cl. **D14/144**
- [58] Field of Search **D14/138, 137, 151, 142, D14/144, 148, 255, 168; 379/58, 61, 419, 420, 433, 434; D26/51, 52**

- D. 301,235 5/1989 Nagele 314/137
- D. 315,154 3/1991 Iizuka et al. D14/151
- 996,770 7/1911 Kerbel 379/434
- 2,540,908 2/1951 Pinkerman 362/88
- 4,800,438 1/1989 Yuter 379/419 X
- 4,860,336 8/1989 D'Avello et al. D14/151

Primary Examiner—Horace B. Fay, Jr.
Attorney, Agent, or Firm—Nixon & Vanderhye

[57] CLAIM

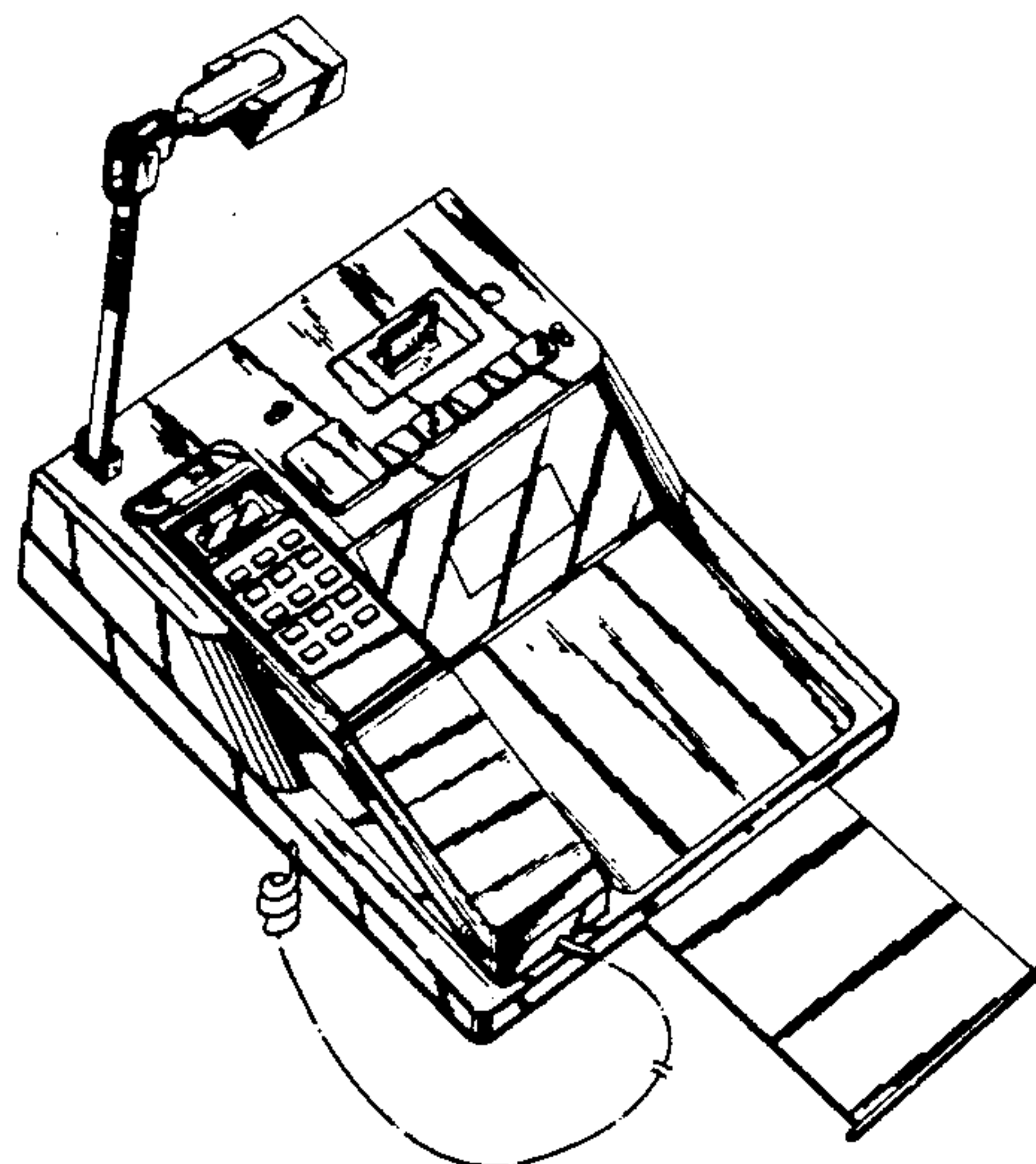
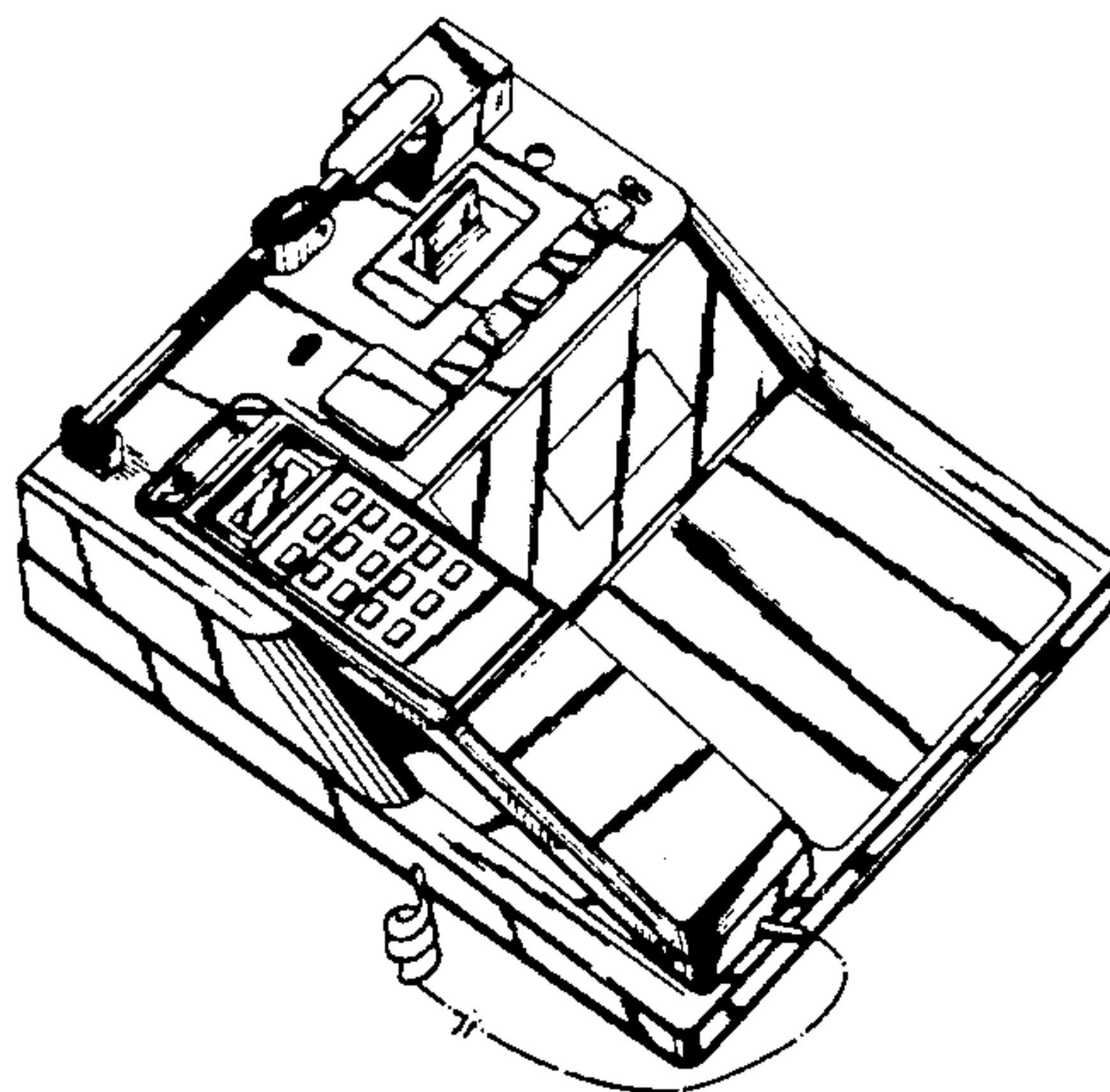
The ornamental design for a combination telephone, clock, radio, lamp, and memo tray, as shown and described.

DESCRIPTION

FIG. 1 is a top, front, left side perspective view of a combination telephone, clock, radio, lamp, and memo tray showing my new design;
 FIG. 2 is a top plan view thereof;
 FIGS. 3 and 4 are respectively left and right side elevational views thereof;
 FIGS. 5 and 6 are respectively front and rear elevational views thereof;
 FIG. 7 is a bottom plan view thereof; and,
 FIG. 8 is a top, front, left side perspective view thereof, with the lamp raised and the memo tray extended.
 The telephone cord is partially shown in broken lines for convenience of illustration.

[56] **References Cited**
U.S. PATENT DOCUMENTS

- D. 222,285 10/1971 Masuda et al. D26/52 X
- D. 263,704 4/1982 Fukushima et al. D14/148
- D. 271,490 11/1983 Fukushima et al. D14/148
- D. 274,243 6/1984 Asaki et al. D14/138
- D. 279,372 6/1985 Baha et al. D14/148
- D. 286,283 10/1986 Nichols D14/138
- D. 289,283 9/1987 Kajito D14/148
- D. 298,129 10/1988 Watanabe D14/138
- D. 298,317 11/1988 Watanabe D14/138



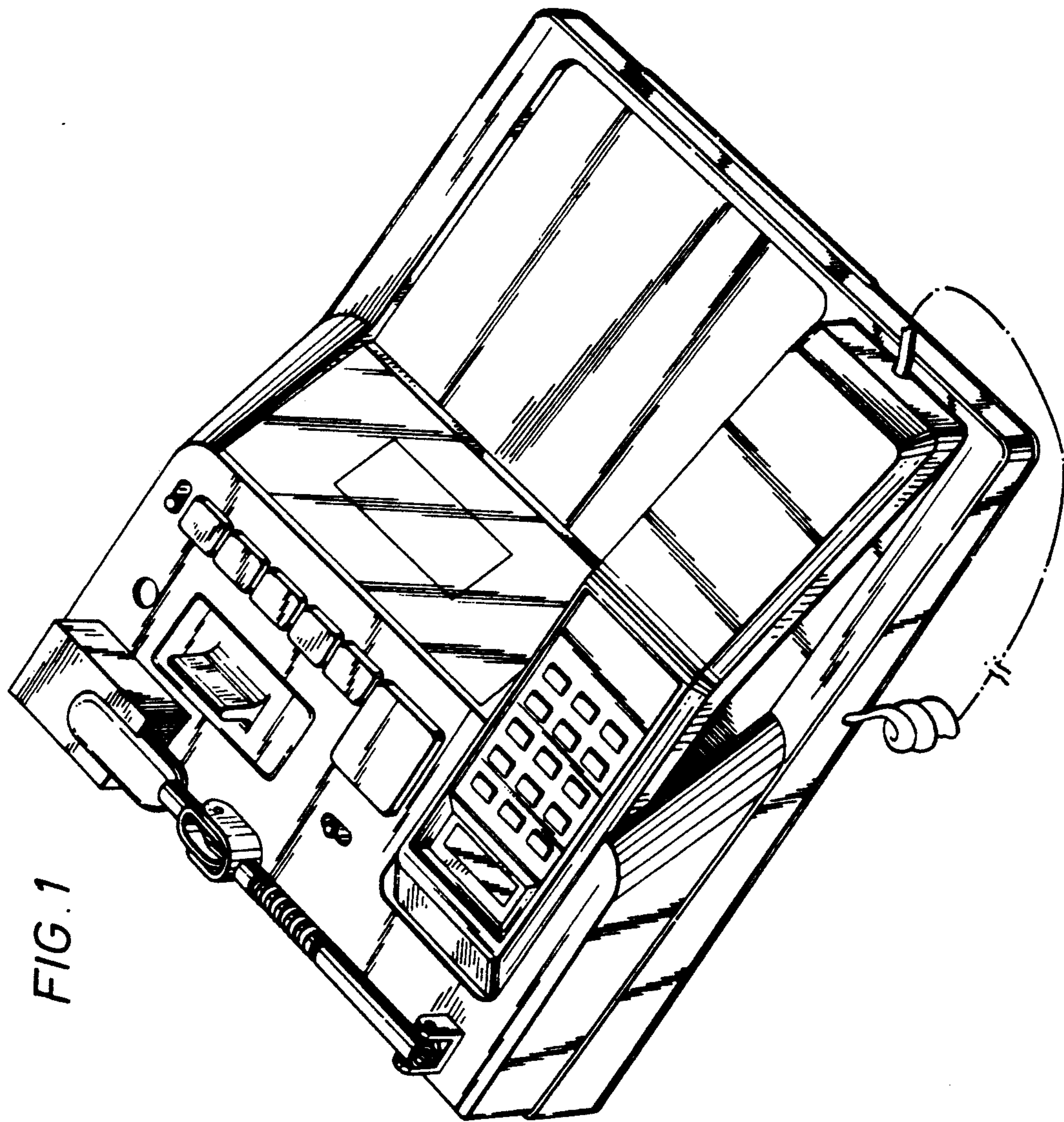


FIG. 1

FIG. 2

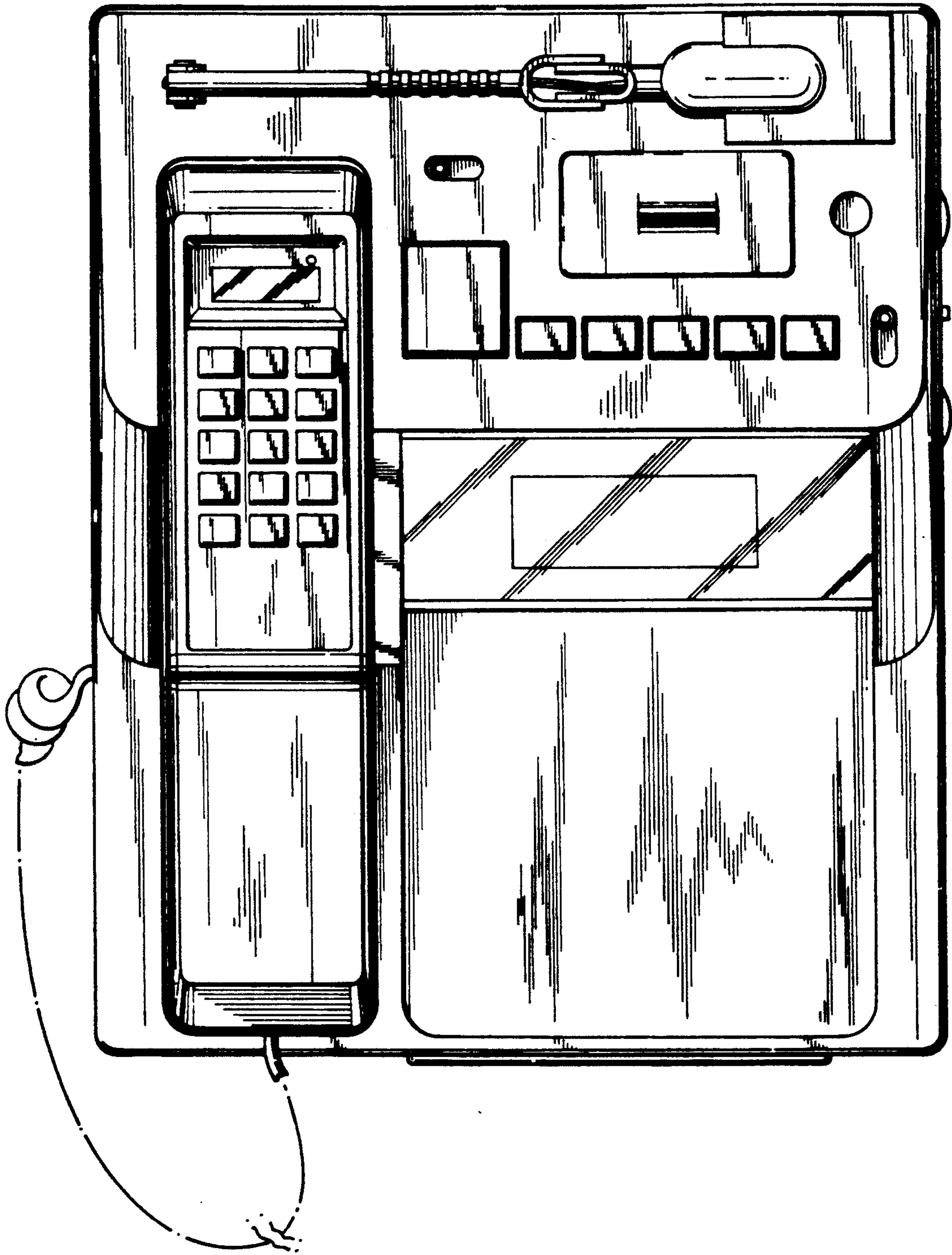


FIG. 3

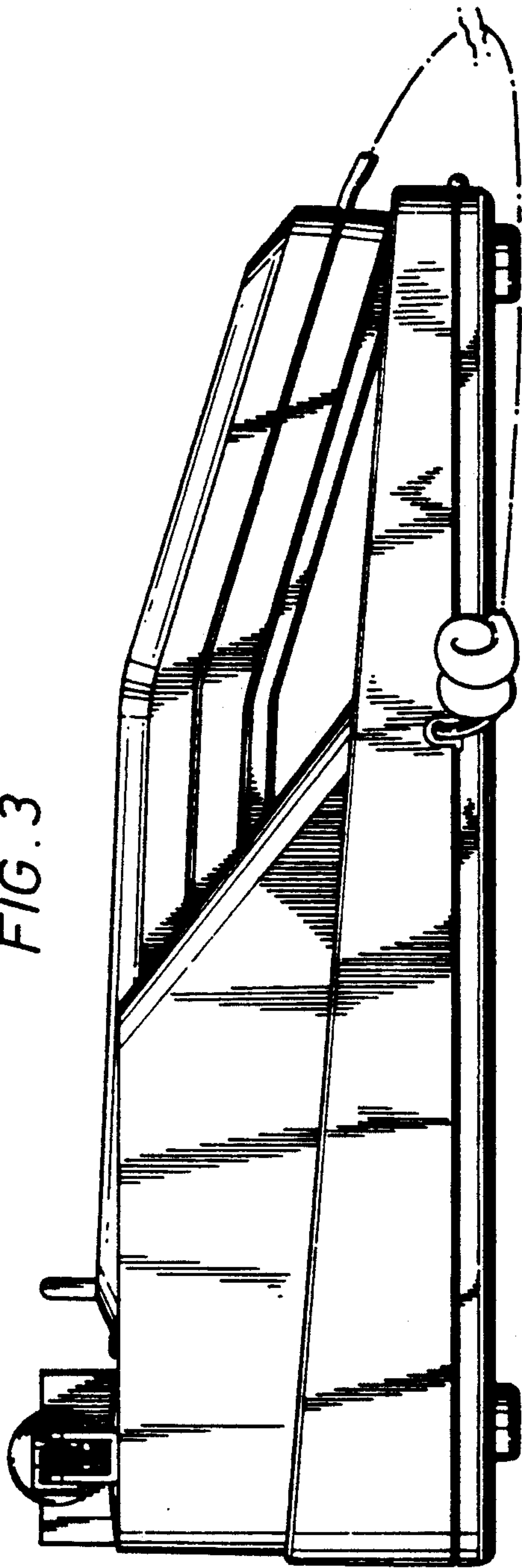
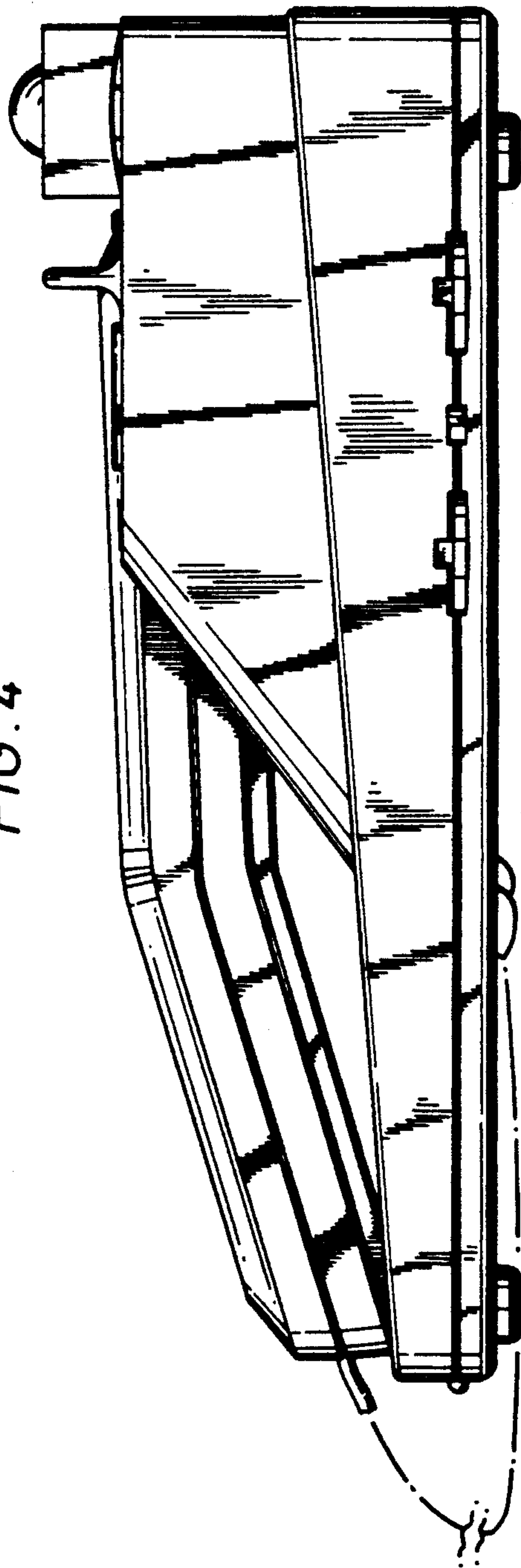


FIG. 4



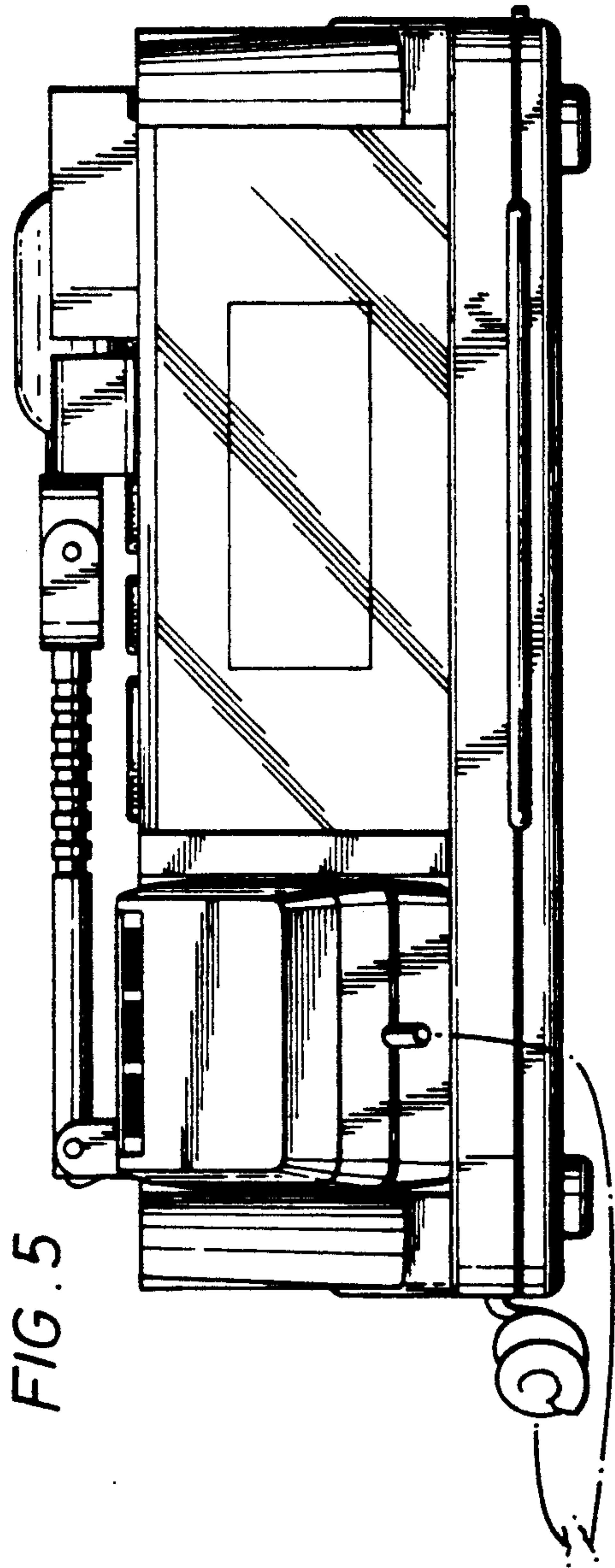


FIG. 6

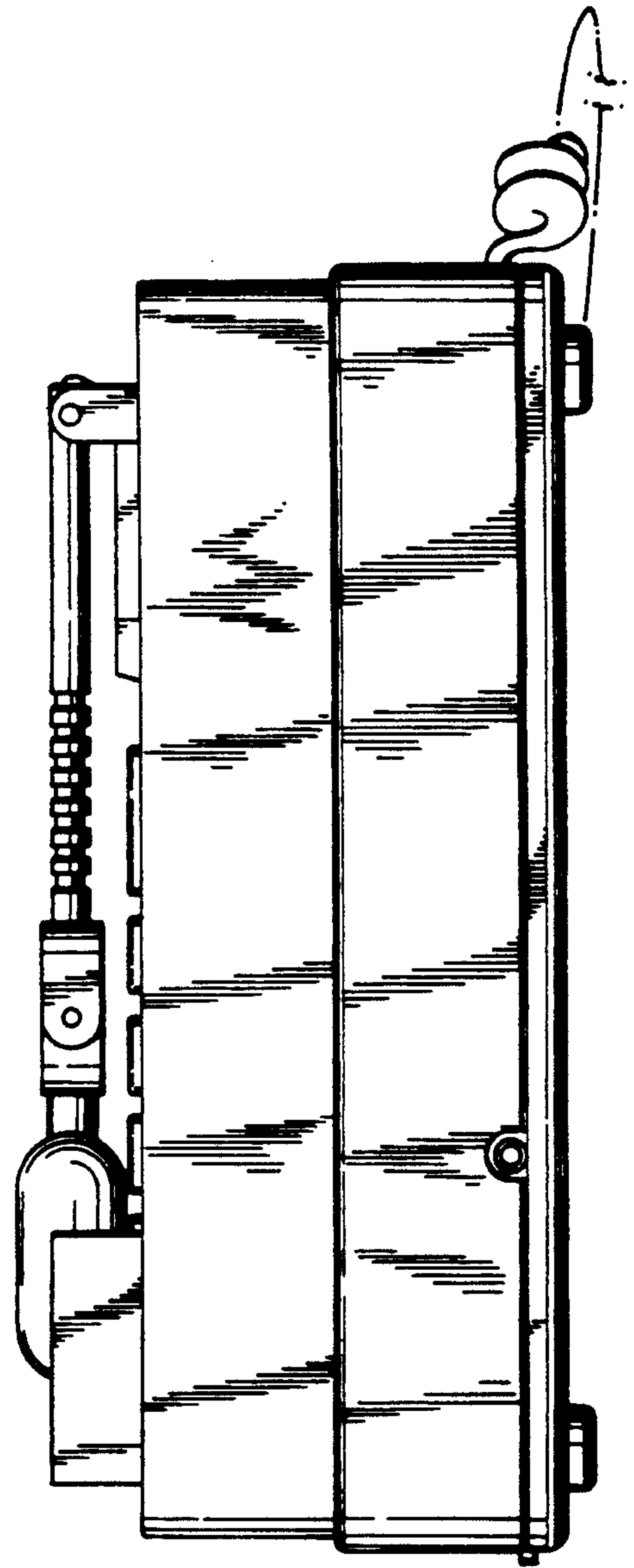
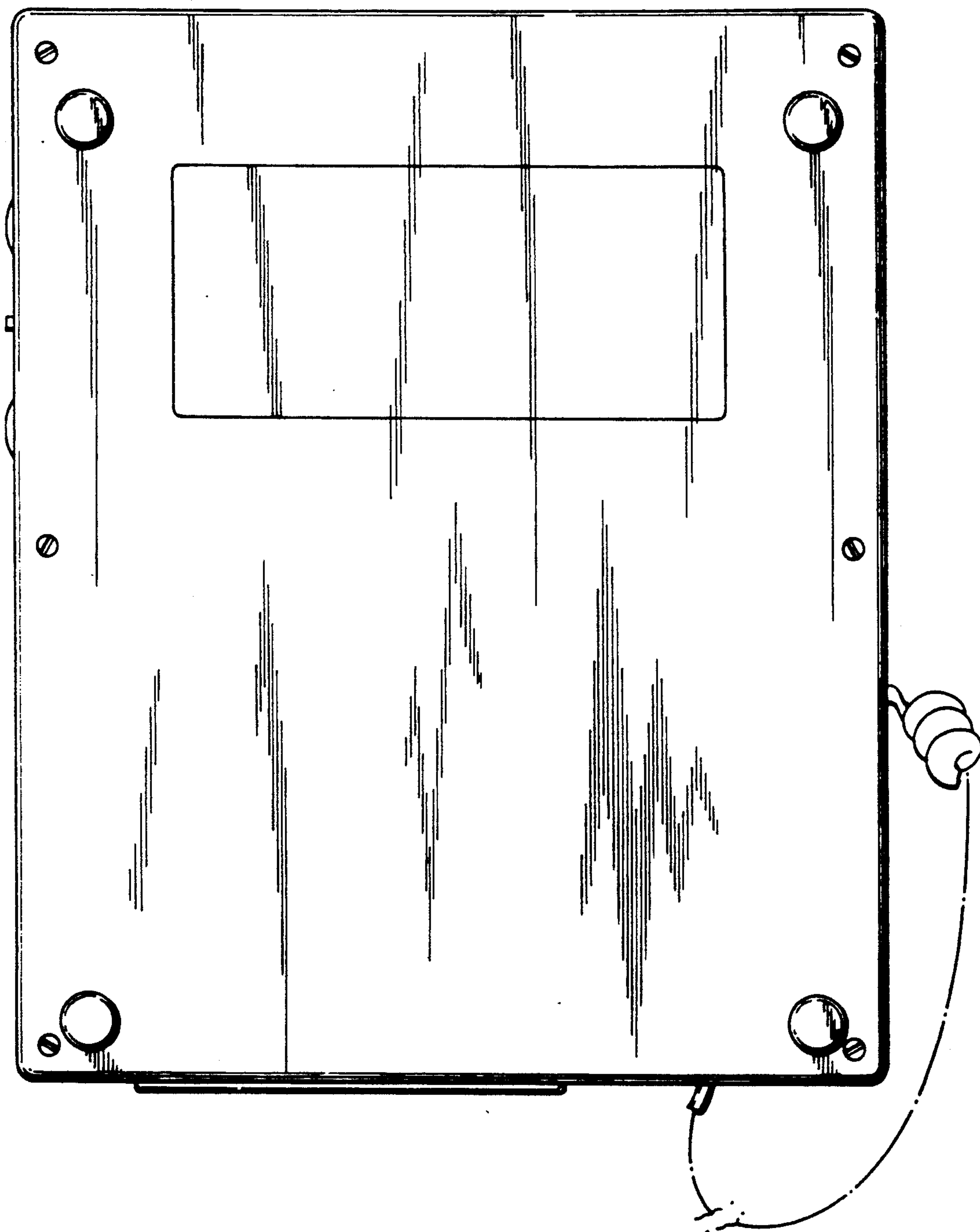


FIG. 7



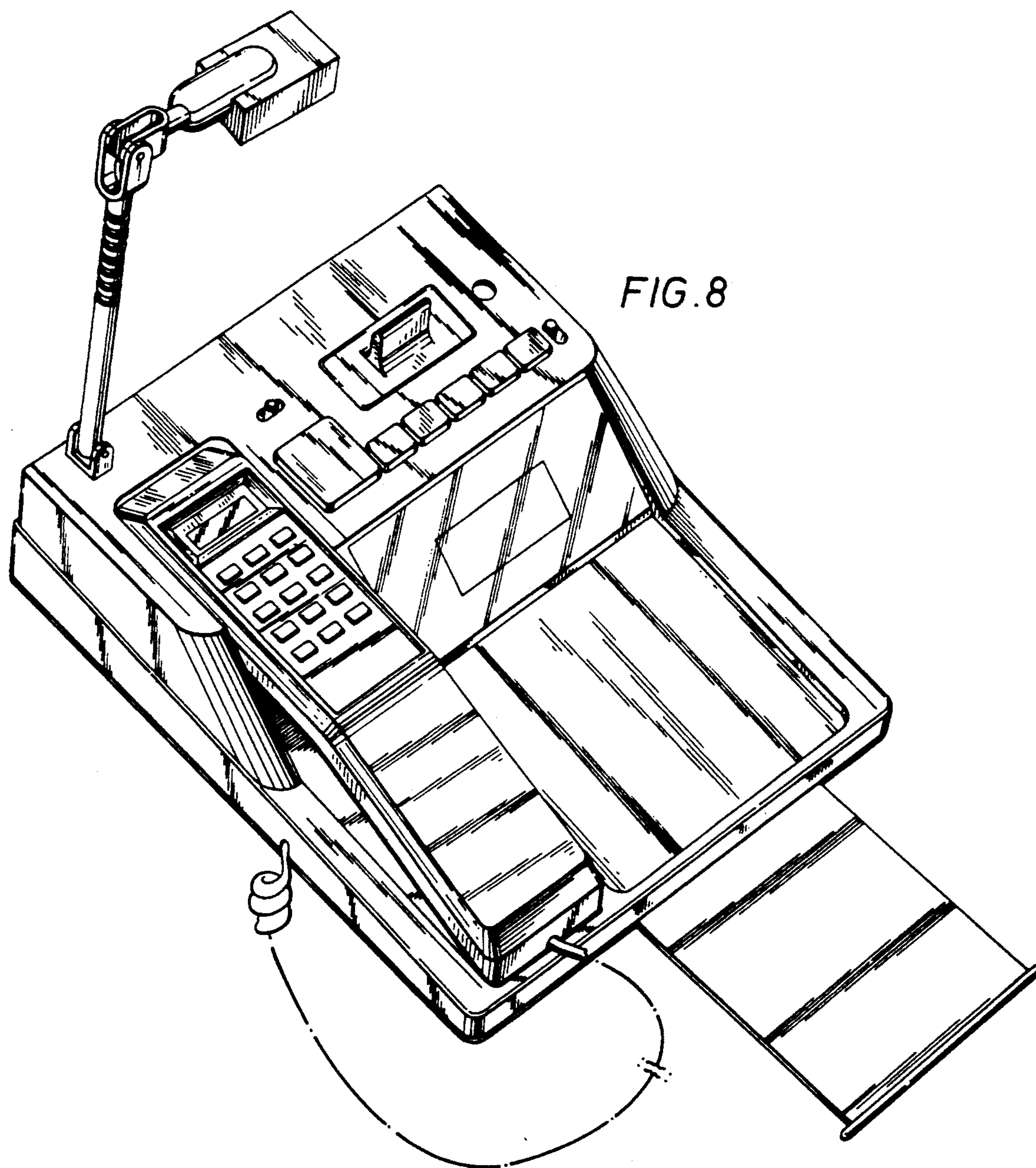


FIG. 8