



US00D334185S

# United States Patent [19]

[11] Patent Number: **Des. 334,185**

**Lam**

[45] Date of Patent: **\*\* Mar. 23, 1993**

[54] **COMPUTER FRONT PANEL**

[75] Inventor: **Tai-Seng Lam**, Taipei, Taiwan

[73] Assignee: **Flytech Technology Co., Ltd.**, Taipei, Taiwan

[\*\*] Term: **14 Years**

[21] Appl. No.: **643,812**

[22] Filed: **Jan. 22, 1991**

[52] U.S. Cl. .... **D14/115**

[58] Field of Search ..... **D14/100, 102, 109, 115; D13/184, 199; 361/390-395**

[56] **References Cited**

**U.S. PATENT DOCUMENTS**

- D. 276,428 11/1984 Burbank et al. .... D13/184
- D. 280,326 8/1985 Jordan ..... D14/115

- D. 304,333 10/1989 Kerezman et al. .... D14/115 X
- D. 321,684 11/1991 Kline et al. .... D14/115

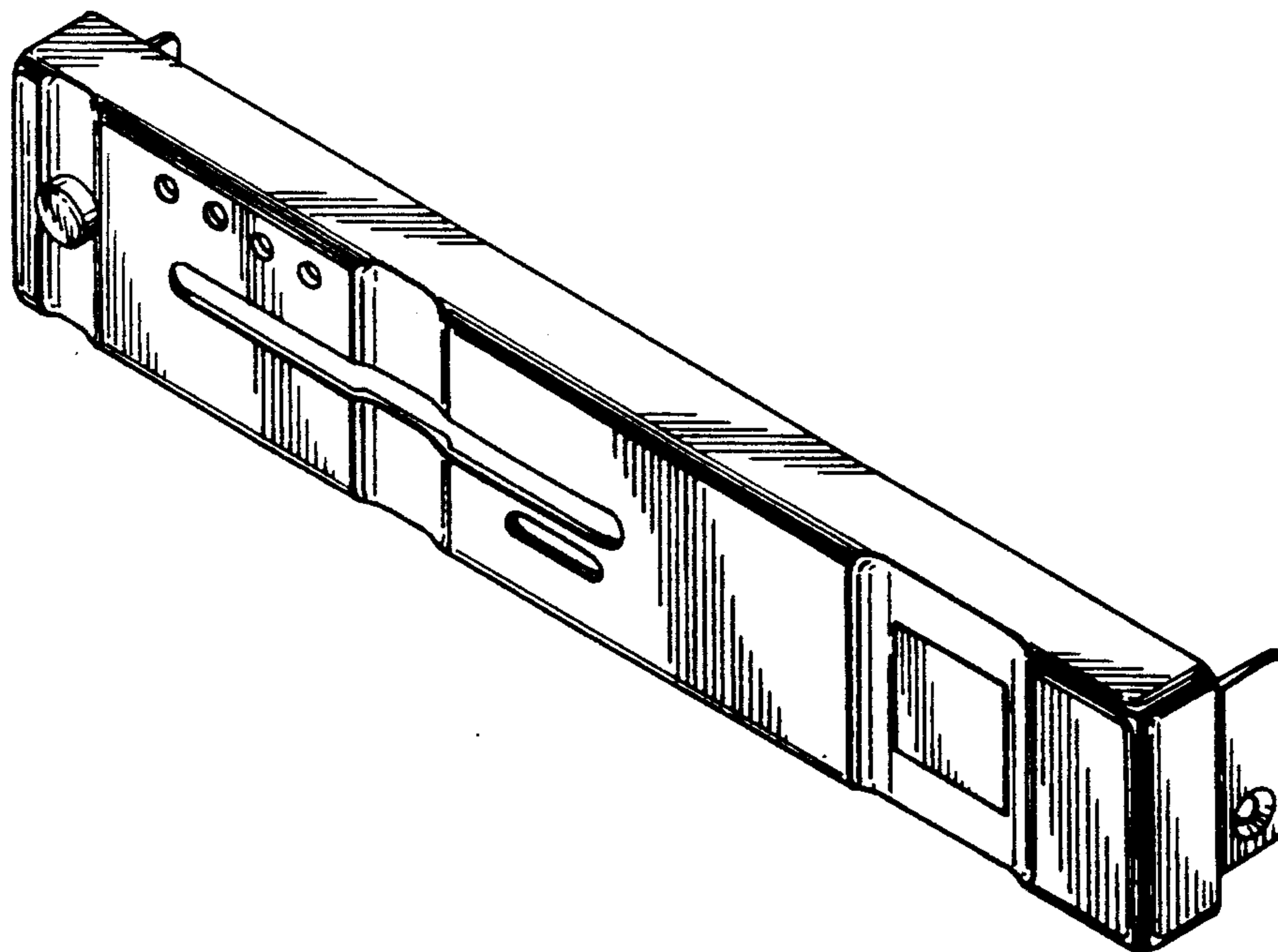
*Primary Examiner*—Wallace R. Burke  
*Assistant Examiner*—Freda S. Nunn  
*Attorney, Agent, or Firm*—Kenyon & Kenyon

[57] **CLAIM**

The ornamental design for computer front panel, as shown and described.

**DESCRIPTION**

FIG. 1 is a top front and right side perspective view of a computer front panel showing my new design; FIG. 2 is a front elevational view thereof; FIG. 3 is a rear elevational view thereof; FIG. 4 is a left side elevational view thereof; FIG. 5 is a right side elevational view thereof; FIG. 6 is a top plan view thereof; and, FIG. 7 is a bottom plan view thereof.



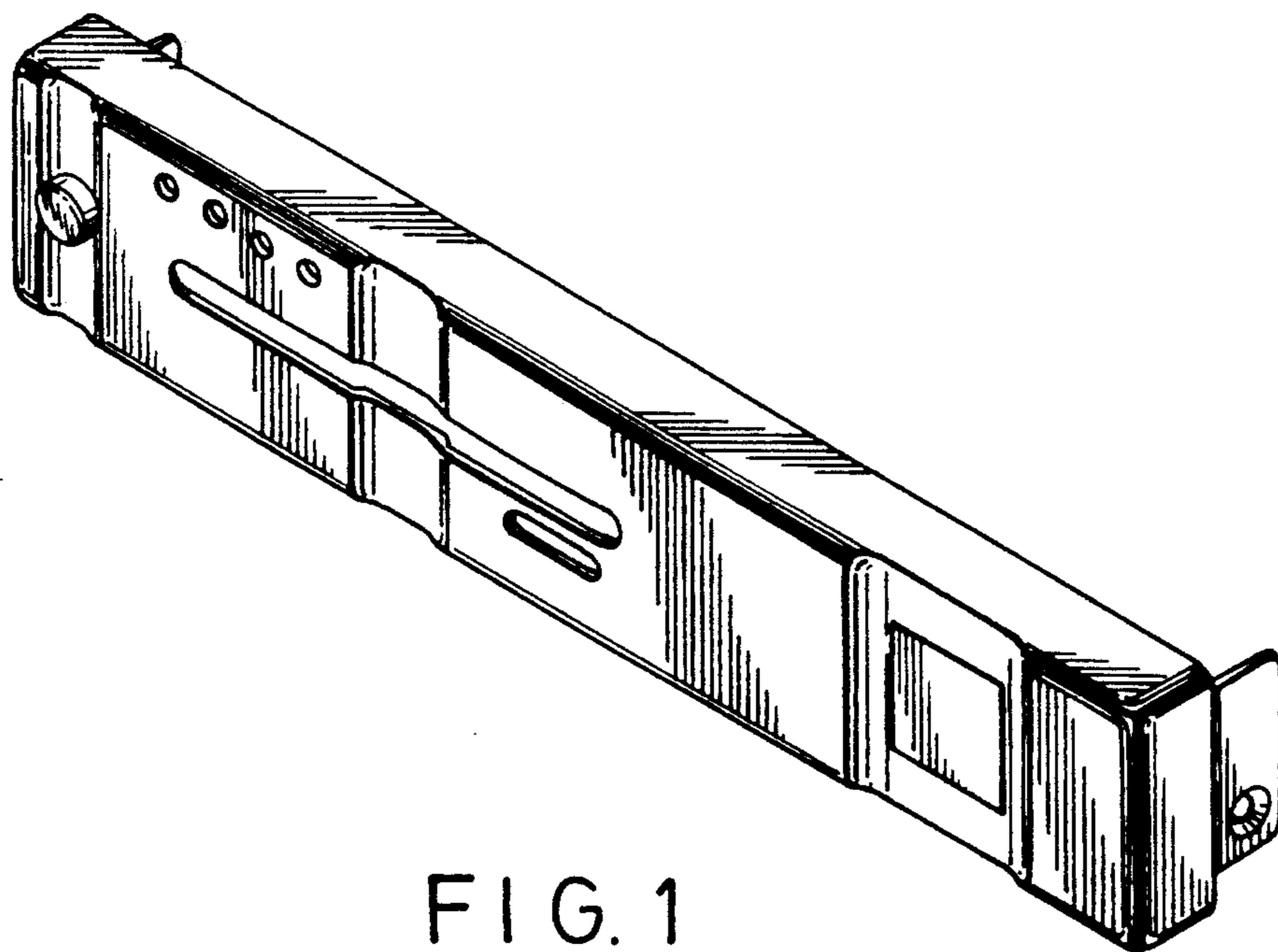


FIG. 1

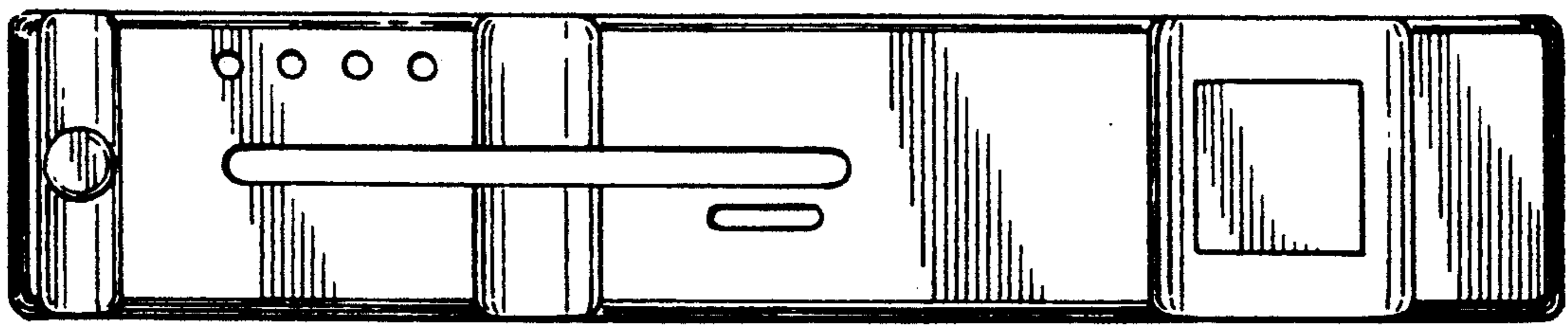


FIG. 2

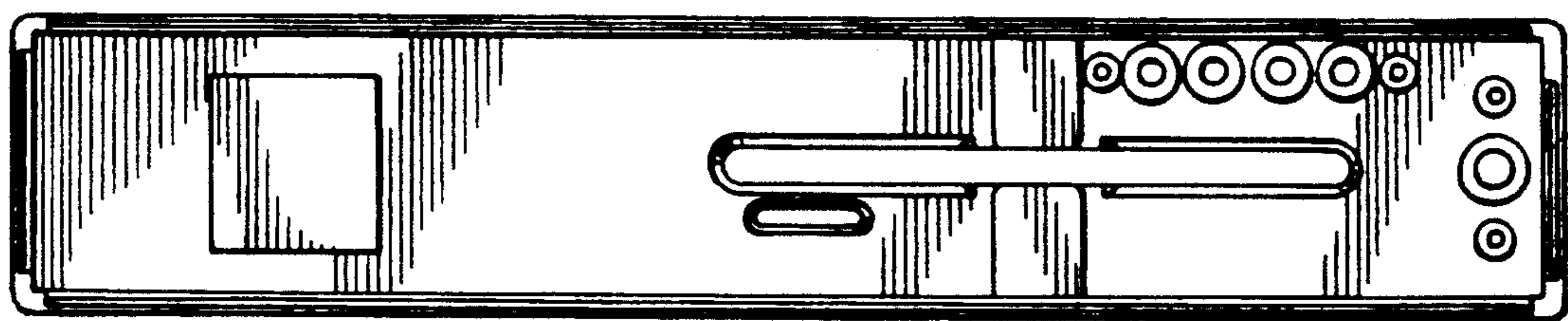


FIG. 3

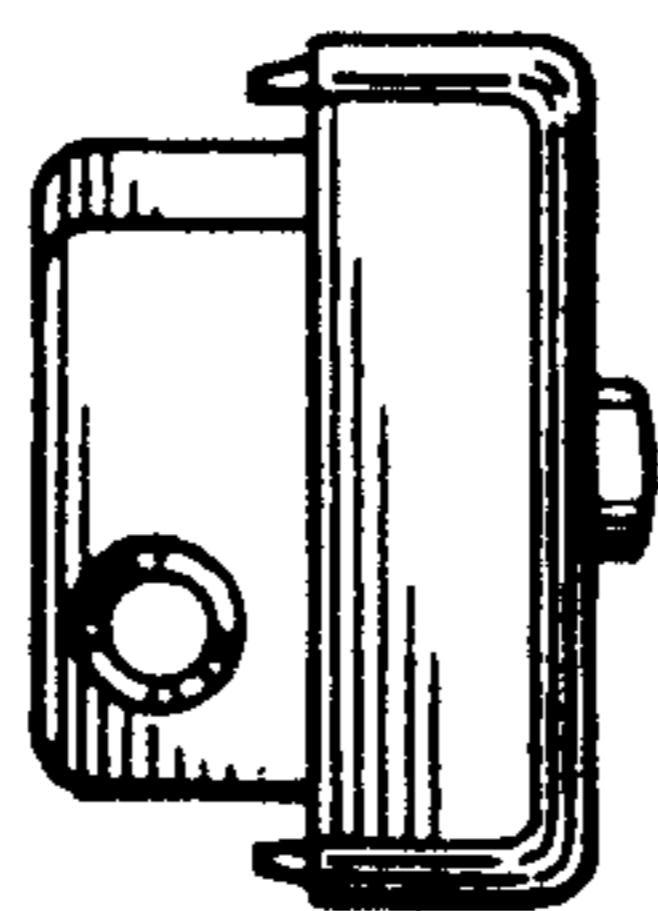


FIG. 4

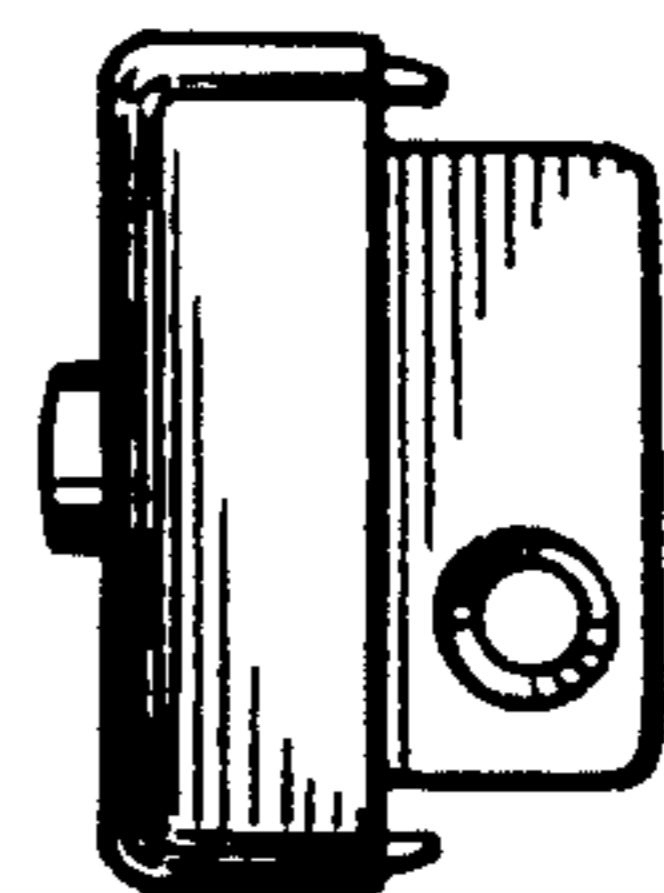


FIG. 5

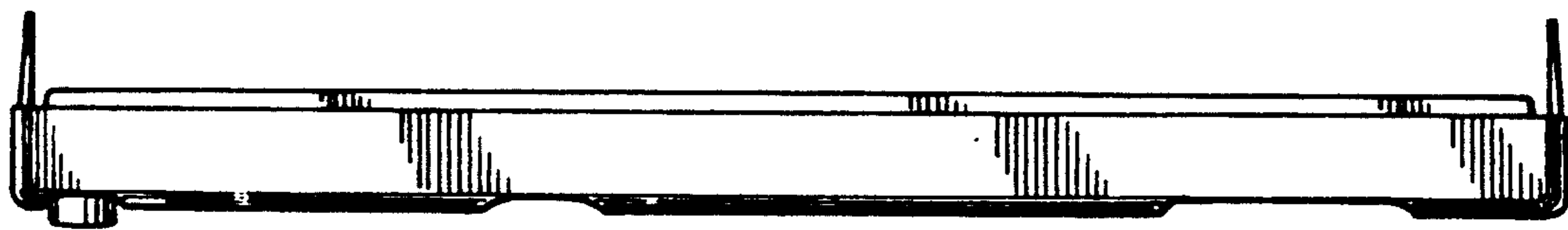


FIG. 6

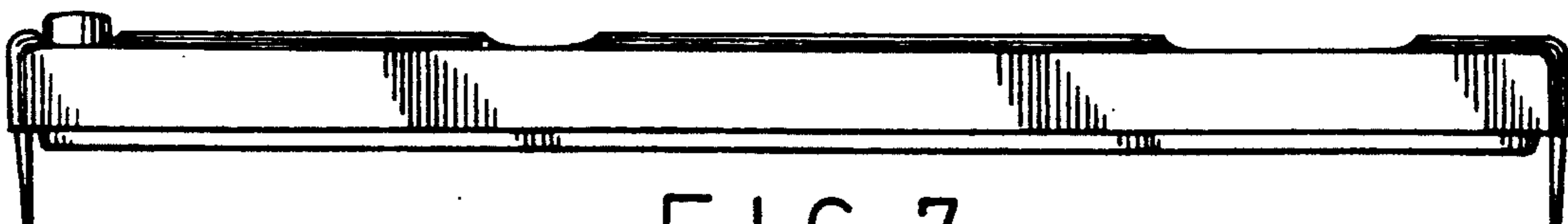


FIG. 7