



US00D334184S

United States Patent [19]

[11] Patent Number: **Des. 334,184**

Weaver et al.

[45] Date of Patent: **** Mar. 23, 1993**

[54] **BASE FOR A COMPUTER HOUSING**

[75] Inventors: **Allan E. Weaver, Hollis, N.H.; John N. Benson, Westwood, Mass.; J. John Schrenk, Pasadena, Calif.**

[73] Assignee: **Digital Equipment Corporation, Maynard, Mass.**

[**] Term: **14 Years**

[21] Appl. No.: **569,547**

[22] Filed: **Aug. 20, 1990**

[52] U.S. Cl. **D14/114**

[58] Field of Search **D14/100, 114; D6/449, D6/491, 495, 499; 248/125, 127, 133, 178-179, 183, 188.1, 188.2, 346, 371, 395, 317-324; 200/5 A, 5 R, 6 A, 6 R; 361/334, 380-381, 390-395**

[56] **References Cited**

U.S. PATENT DOCUMENTS

D. 287,365	12/1986	Judd	D14/114
D. 287,974	1/1987	Davis et al.	D14/114
D. 311,001	10/1990	Massel et al.	D14/114
4,448,312	5/1984	Schuman	248/346 X
4,635,811	1/1987	Lodi	248/346 X
4,832,295	5/1989	Wagner	248/346 X

OTHER PUBLICATIONS

Digital Equipment Corp., "VAX Systems and DECsystems Systems and Options Catalog, 1990 Oct.-Dec.," (Copyright 1990), pp. 1.3, 1.34, 1.61, 1.64, 1.81, 1.92,

1.138, 1.168, 2.2, 2.13, 2.25, 3.22, 8.5, 8.9, 8.23, 8.25, 8.62, 8.76, 8.79 and 8.81.

Digital Equipment Corp., "PDP-11 20th Anniversary Systems and Options Catalog Supplement, May 1990," p. 1B.1.

Digital Equipment Corp., "Realtime Systems and Options Catalog, May 1990" (Copyright 1990), pp. 1.7, 1.44, 1.56 and 4.23.

Primary Examiner—Wallace R. Burke

Assistant Examiner—M. H. Tung

Attorney, Agent, or Firm—Kenyon & Kenyon

[57] **CLAIM**

The ornamental design for a base for a computer housing, as shown and described.

DESCRIPTION

FIG. 1 is a front elevational view of a base for a computer housing showing our new design; FIG. 2 is a right side elevational view thereof; FIG. 3 is a rear elevational view thereof; FIG. 4 is a front, right side perspective view thereof, on an enlarged scale; FIG. 5 is a rear, left side perspective view thereof, on an enlarged scale; FIG. 6 is a top plan view thereof; and, FIG. 7 is a bottom plan view thereof.

The broken line drawings of a computer housing are for illustrative purposes only and form no part of the claimed design.

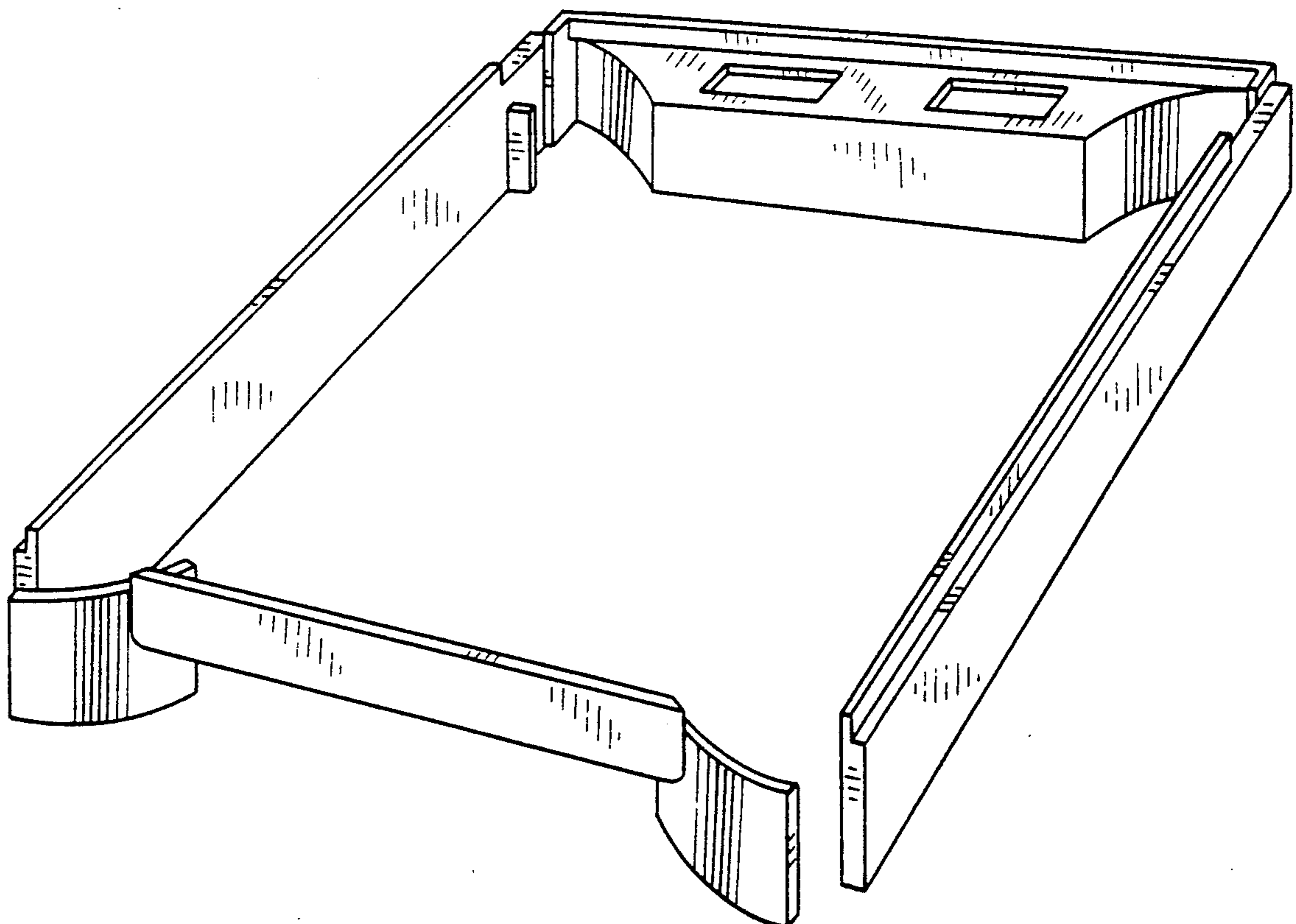




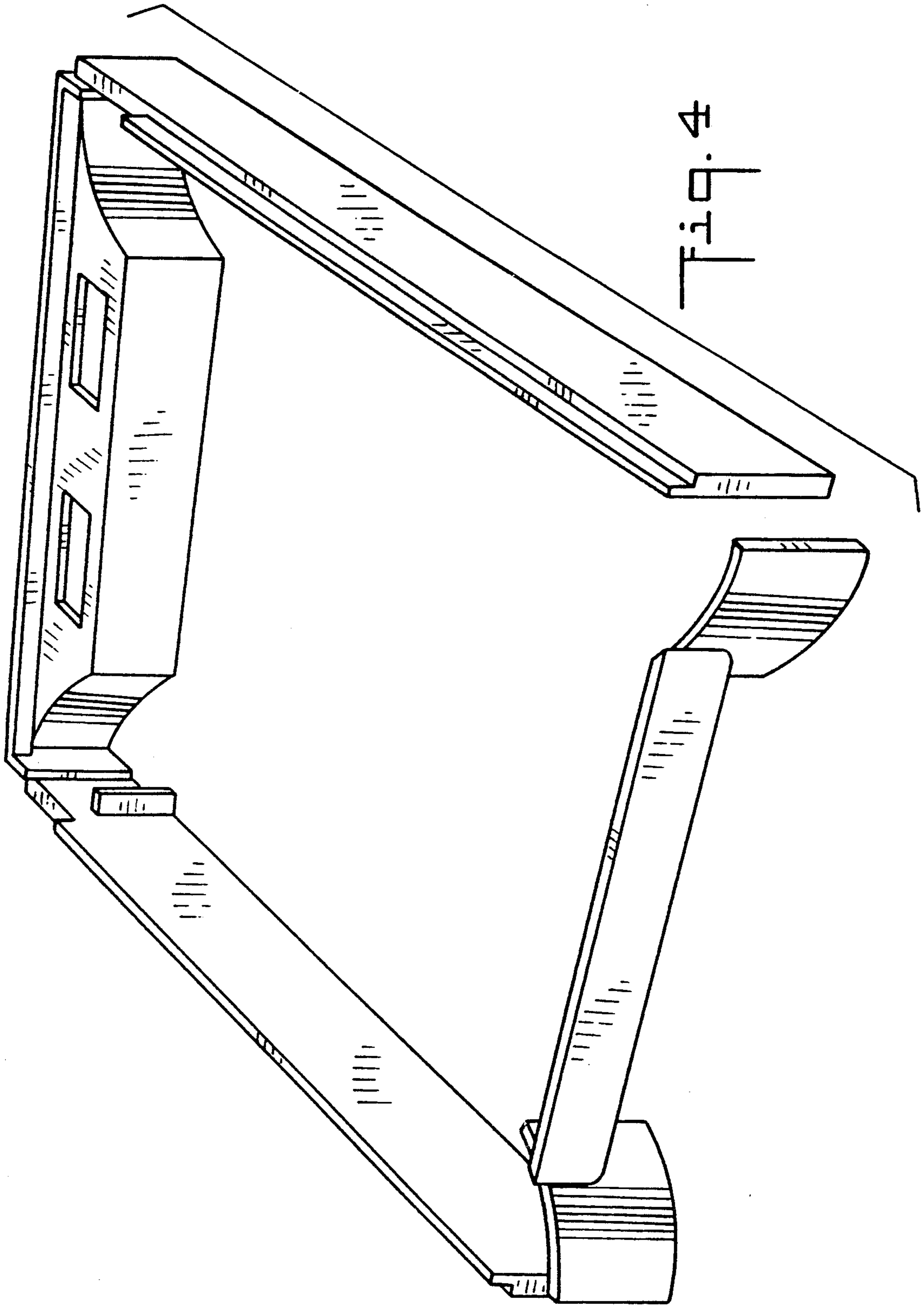
Fig. 3.



Fig. 2.



Fig. 1.



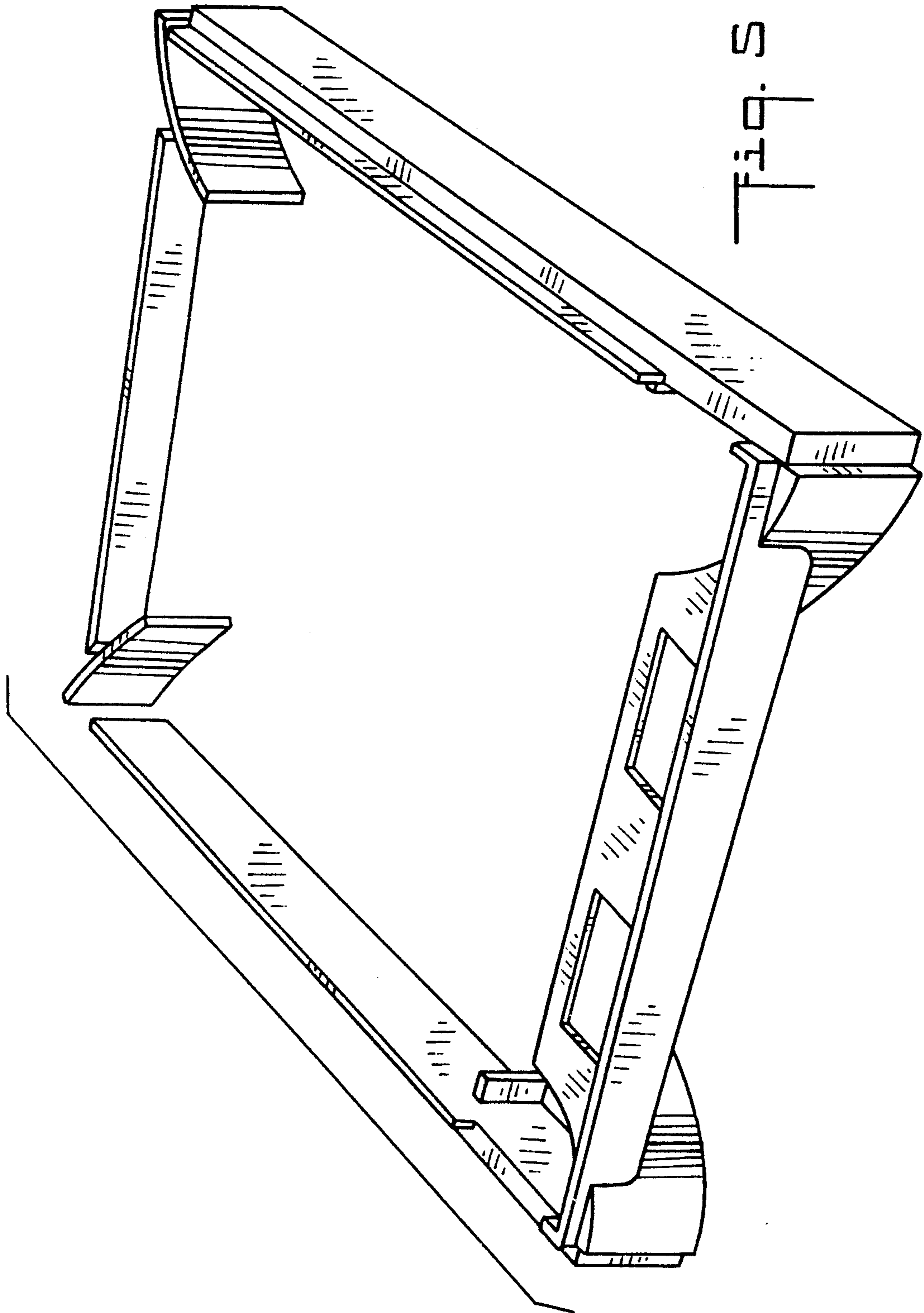


Fig. 7.

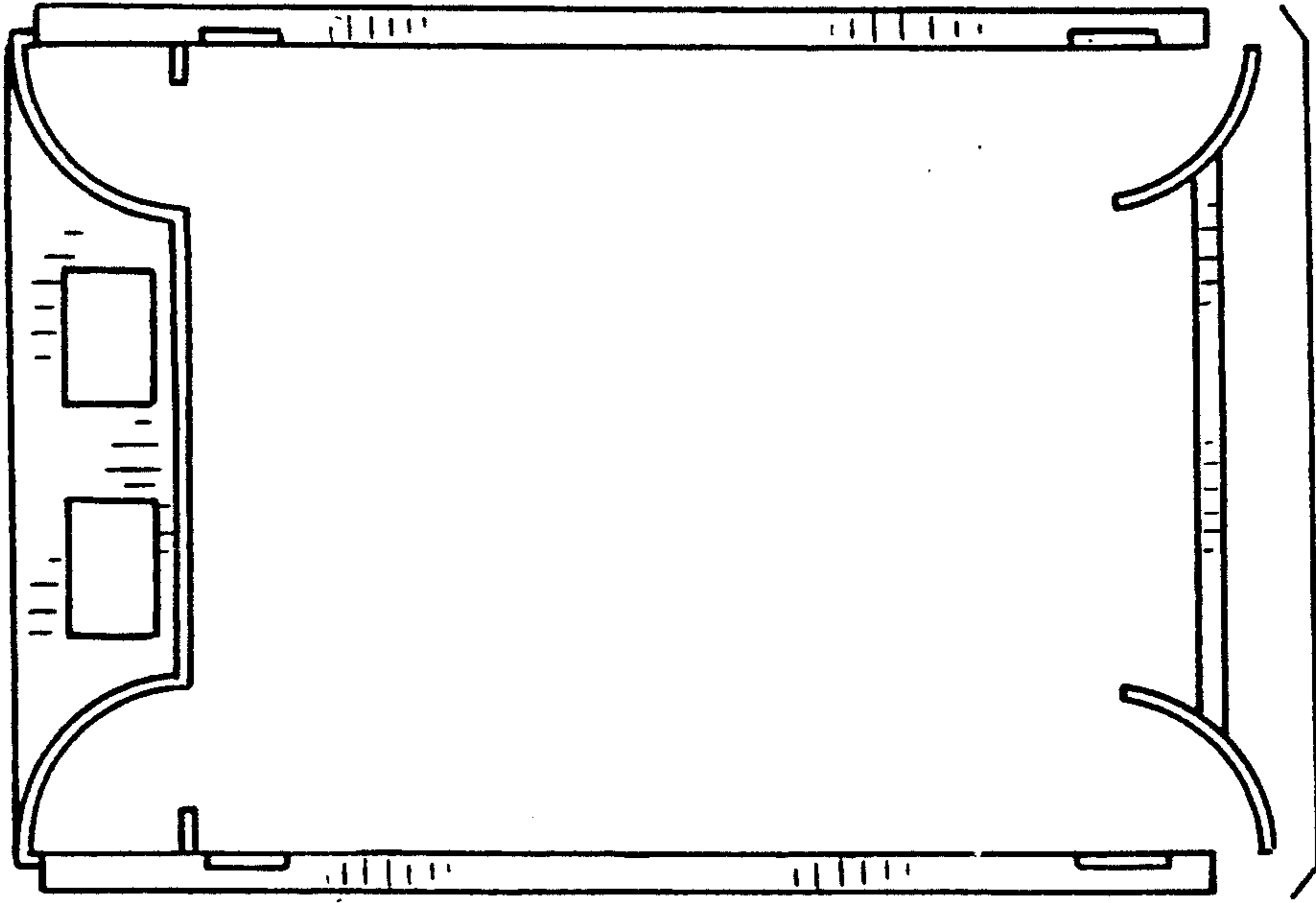


Fig. 8.

