



US00D334183S

United States Patent [19]

[11] Patent Number: **Des. 334,183**

Malon et al.

[45] Date of Patent: **** Mar. 23, 1993**

[54] **INTERFACE FOR A WRIST WATCH PAGER**

4,771,399 9/1988 Snowden et al. .
5,007,105 4/1991 Kudoh et al. 340/311.1 X

[75] Inventors: **Mark R. Malon**, North Palm Beach;
Chuck Weyant, Lake Worth, both of Fla.

[73] Assignee: **Motorola, Inc.**, Schaumburg, Ill.

[**] Term: **14 Years**

[21] Appl. No.: **624,174**

[22] Filed: **Dec. 6, 1990**

[52] U.S. Cl. **D14/107; D13/107; D14/299**

[58] Field of Search **D14/114, 100, 107, 299, D14/191; 429/96-100; 320/2-5, 48, 61; 340/311.1, 573, 825.06, 825.17, 825.22, 825.36, 825.44, 825.47, 825.49; D13/107-108**

[56] **References Cited**

U.S. PATENT DOCUMENTS

D. 271,391	11/1983	Scheid	D13/107
D. 297,827	9/1988	Lay	D13/108
D. 298,136	10/1988	Toth et al. .	
D. 301,456	6/1989	Siddoway .	
D. 329,221	9/1992	Khoo	D13/107
4,713,808	12/1987	Guskill et al.	340/825.44 X

OTHER PUBLICATIONS

"KeyNote Tone and Voice Pager Golay Sequential Coding", 1990, p. 3 top right of the page, Motorola marketing brochure.

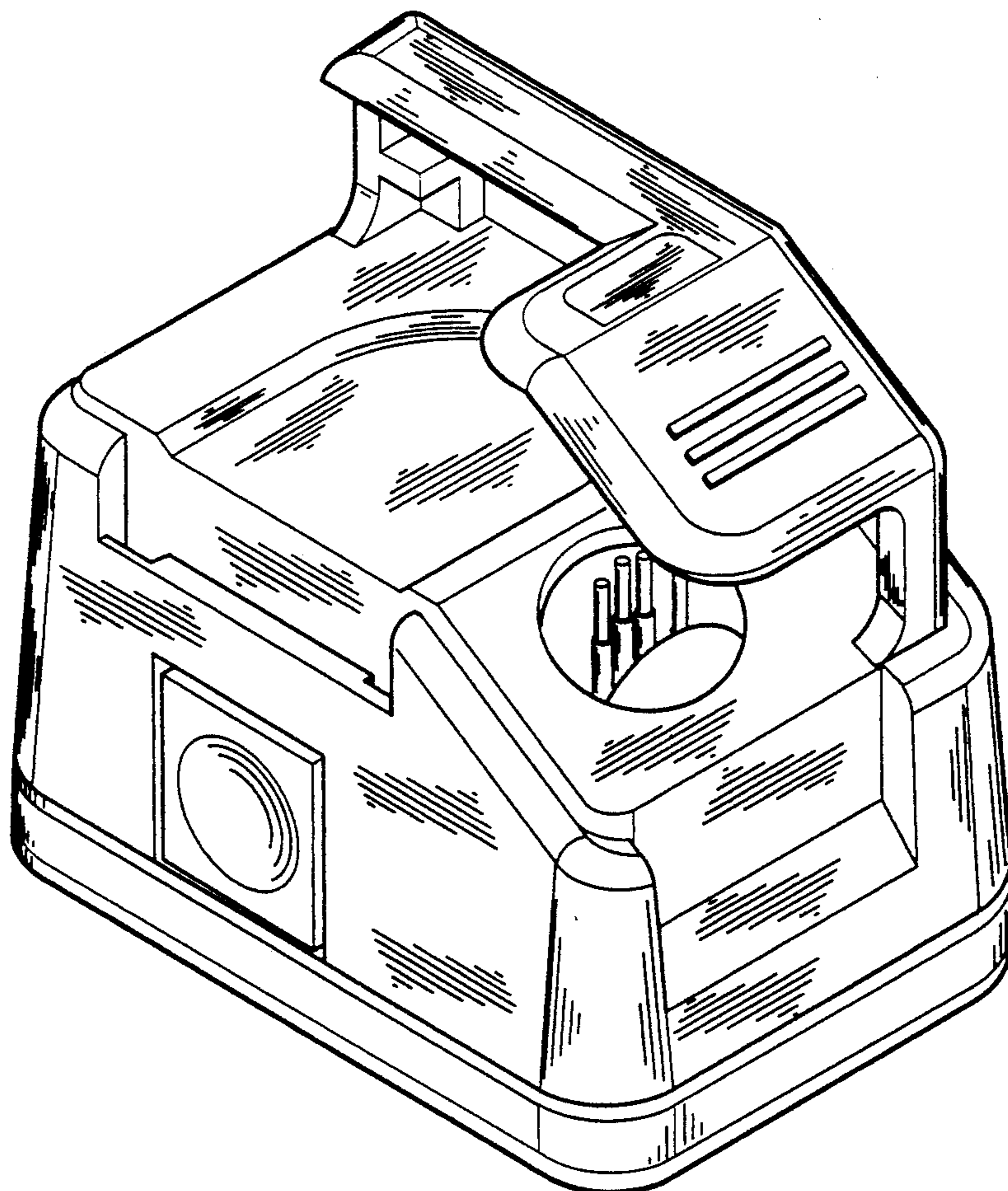
Primary Examiner—Wallace R. Burke
Assistant Examiner—M. H. Tung
Attorney, Agent, or Firm—Jose Gutman; Daniel R. Collopy; William E. Koch

[57] **CLAIM**

The ornamental design for an interface for a wrist watch pager, as shown.

DESCRIPTION

FIG. 1 is a front elevation view of an interface for a wrist watch pager showing our new design; FIG. 2 is a top plan view thereof; FIG. 3 is a right side elevation view thereof; FIG. 4 is a rear elevation view thereof; FIG. 5 is a bottom plan view thereof; FIG. 6 is a left side elevation view thereof; and, FIG. 7 is a top, left side, front perspective view thereof, on an enlarged scale.



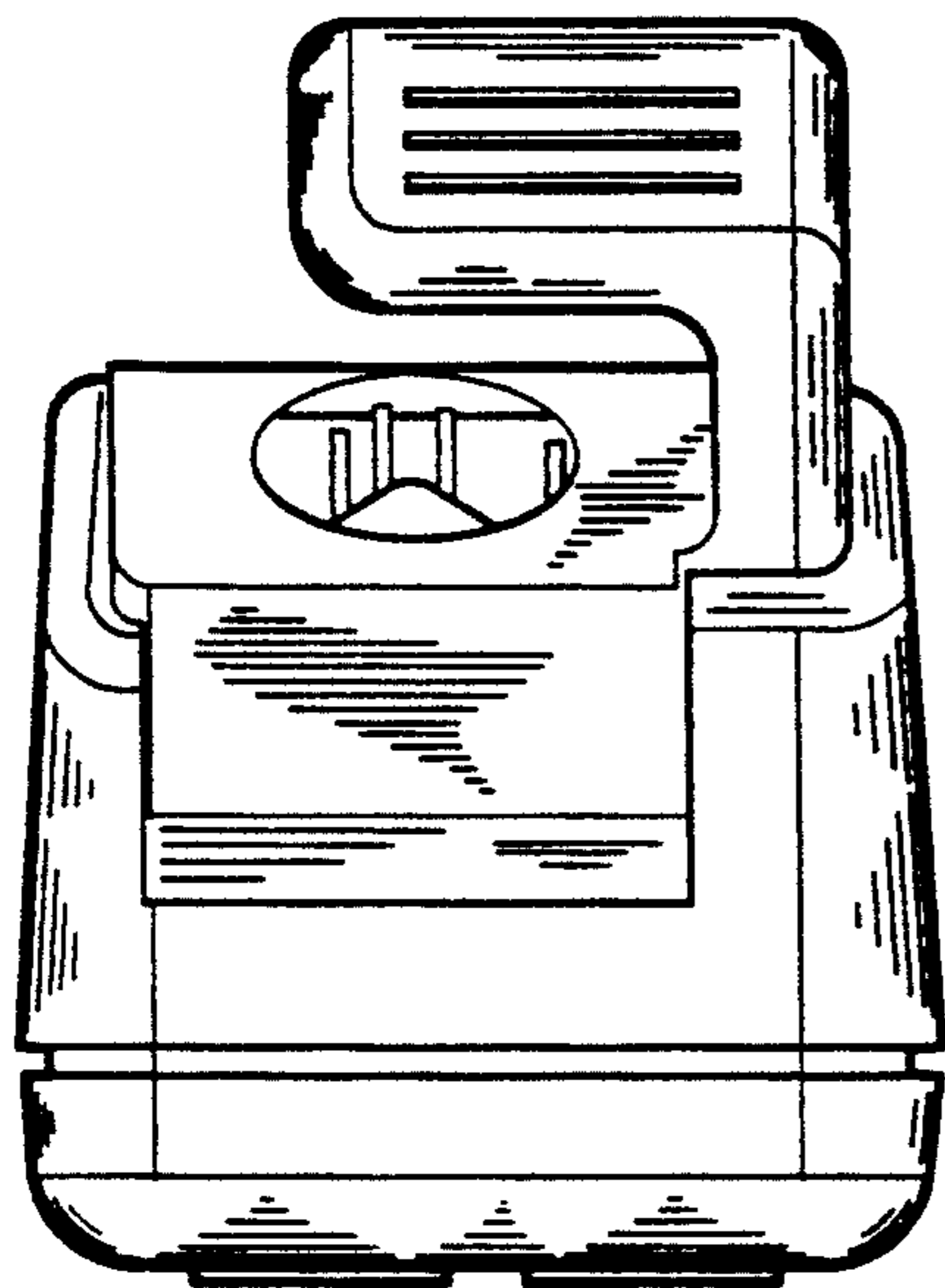


FIG. 1

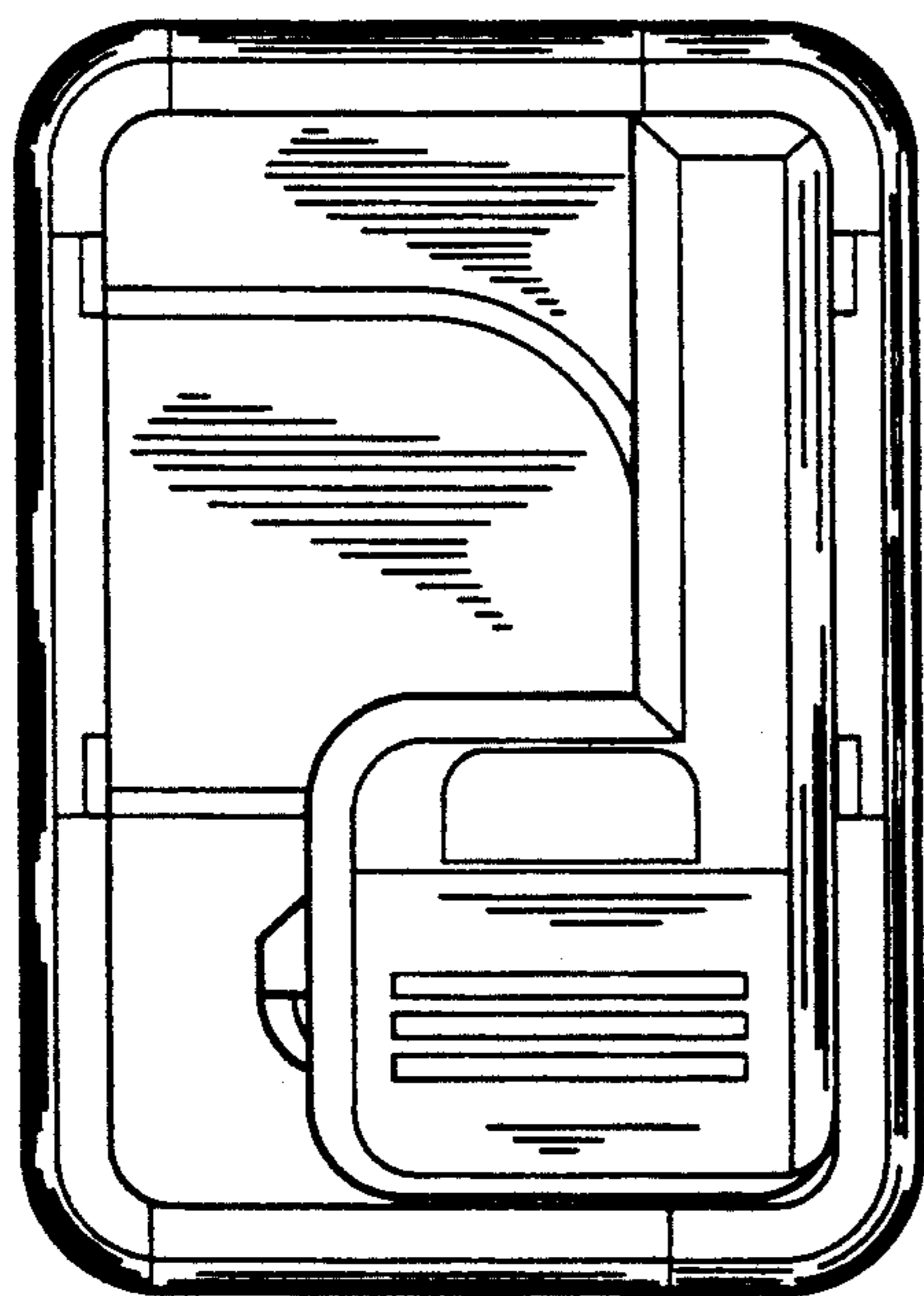


FIG. 2

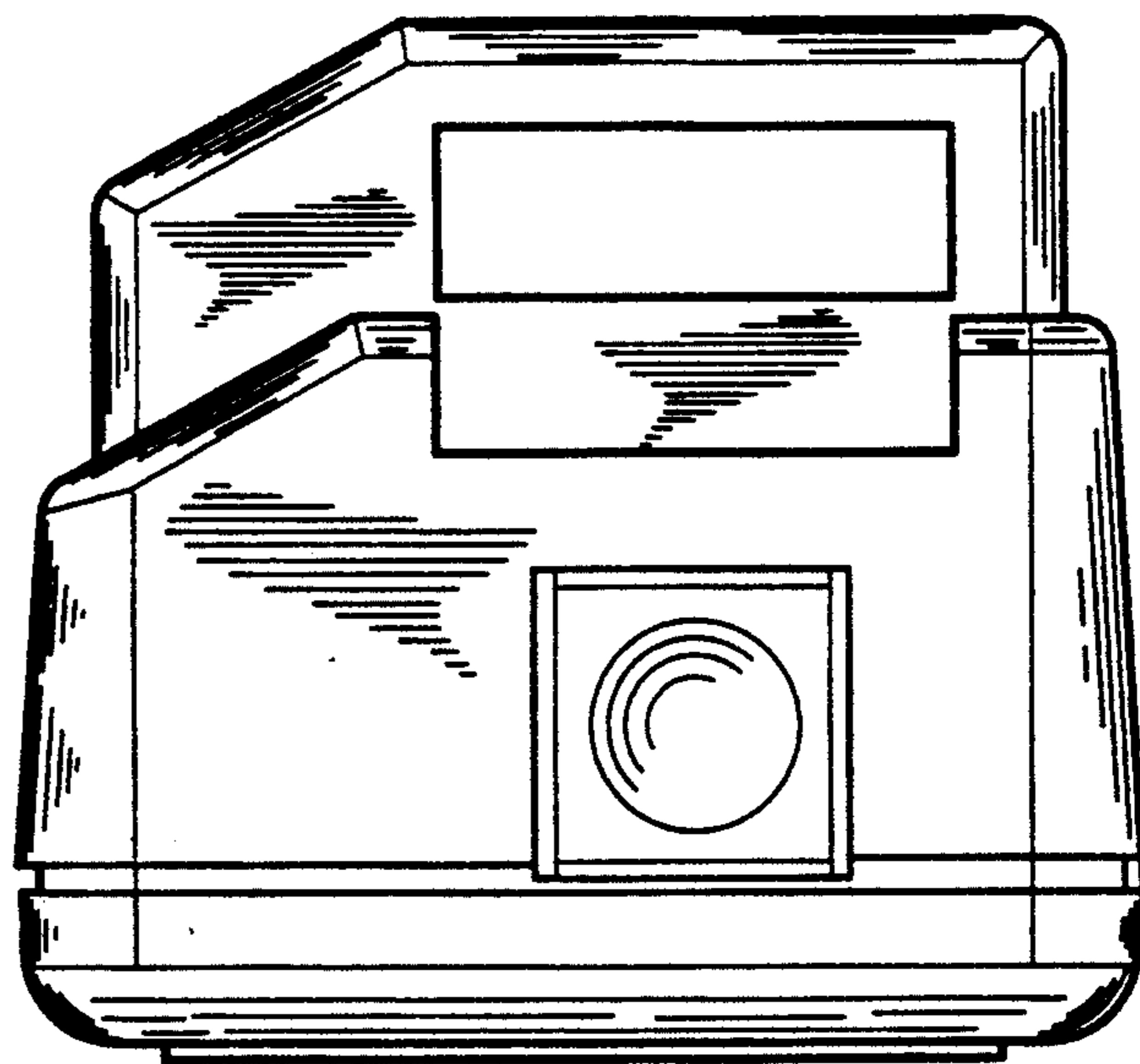


FIG. 3

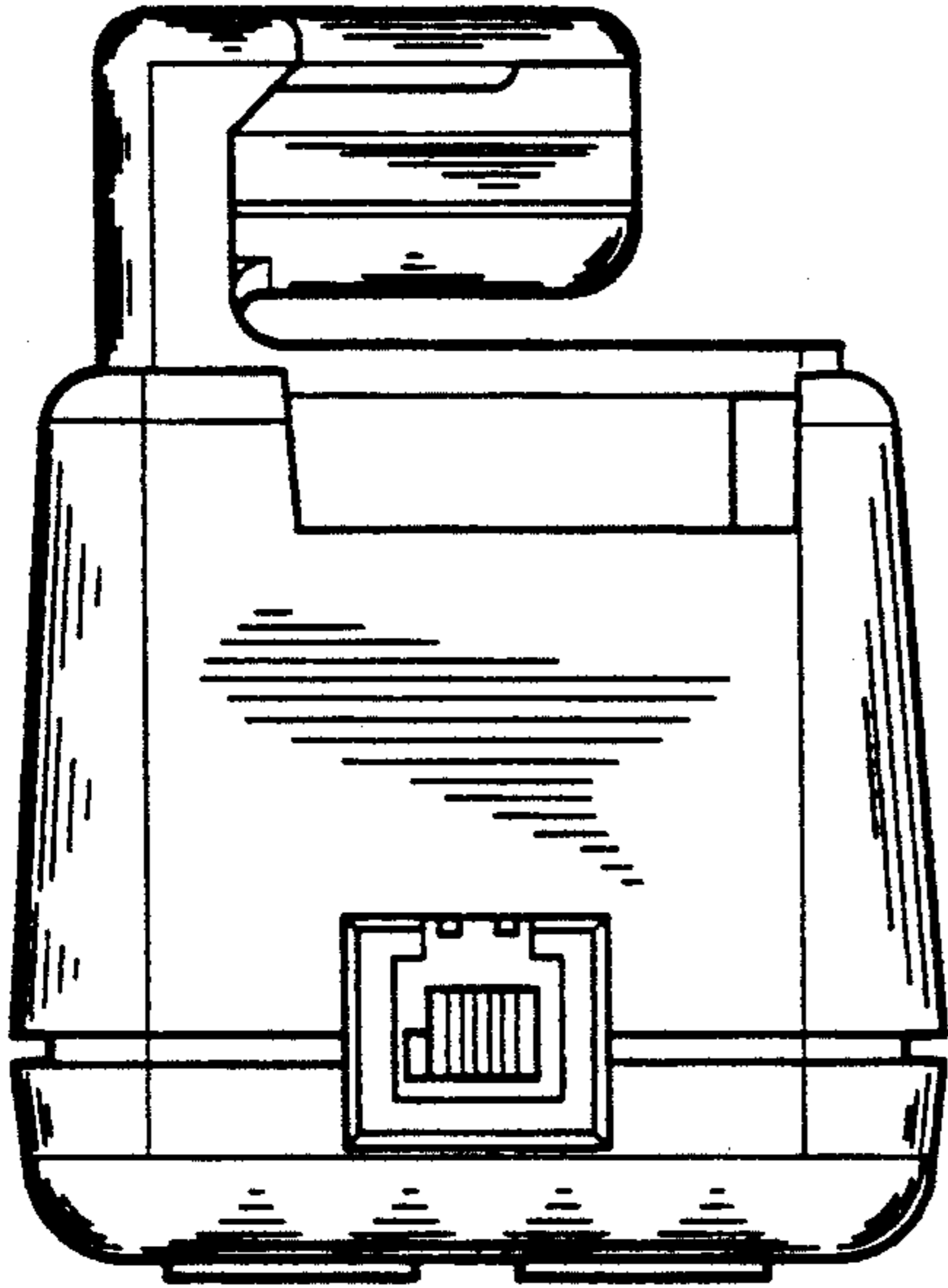


FIG. 4

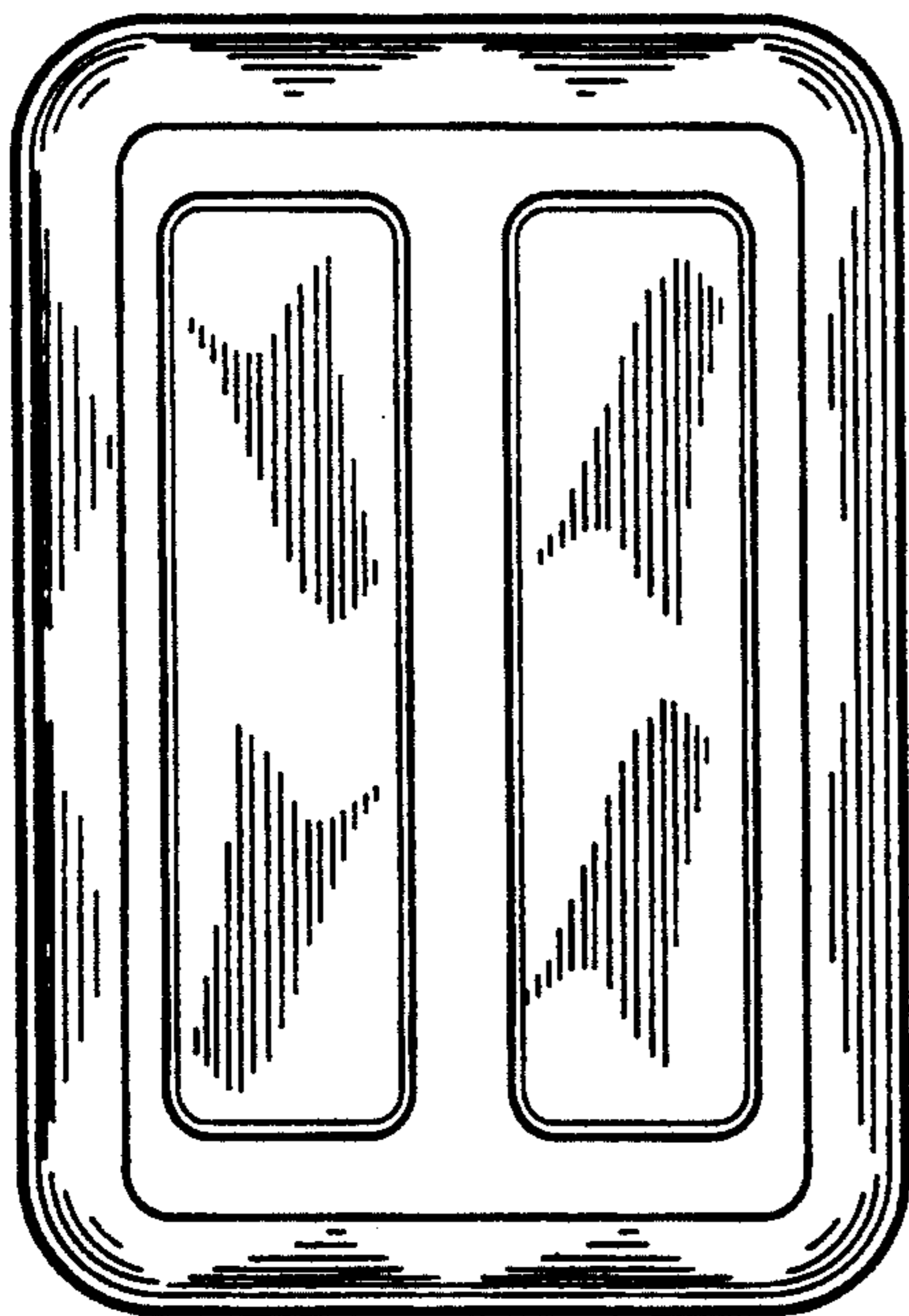


FIG. 5

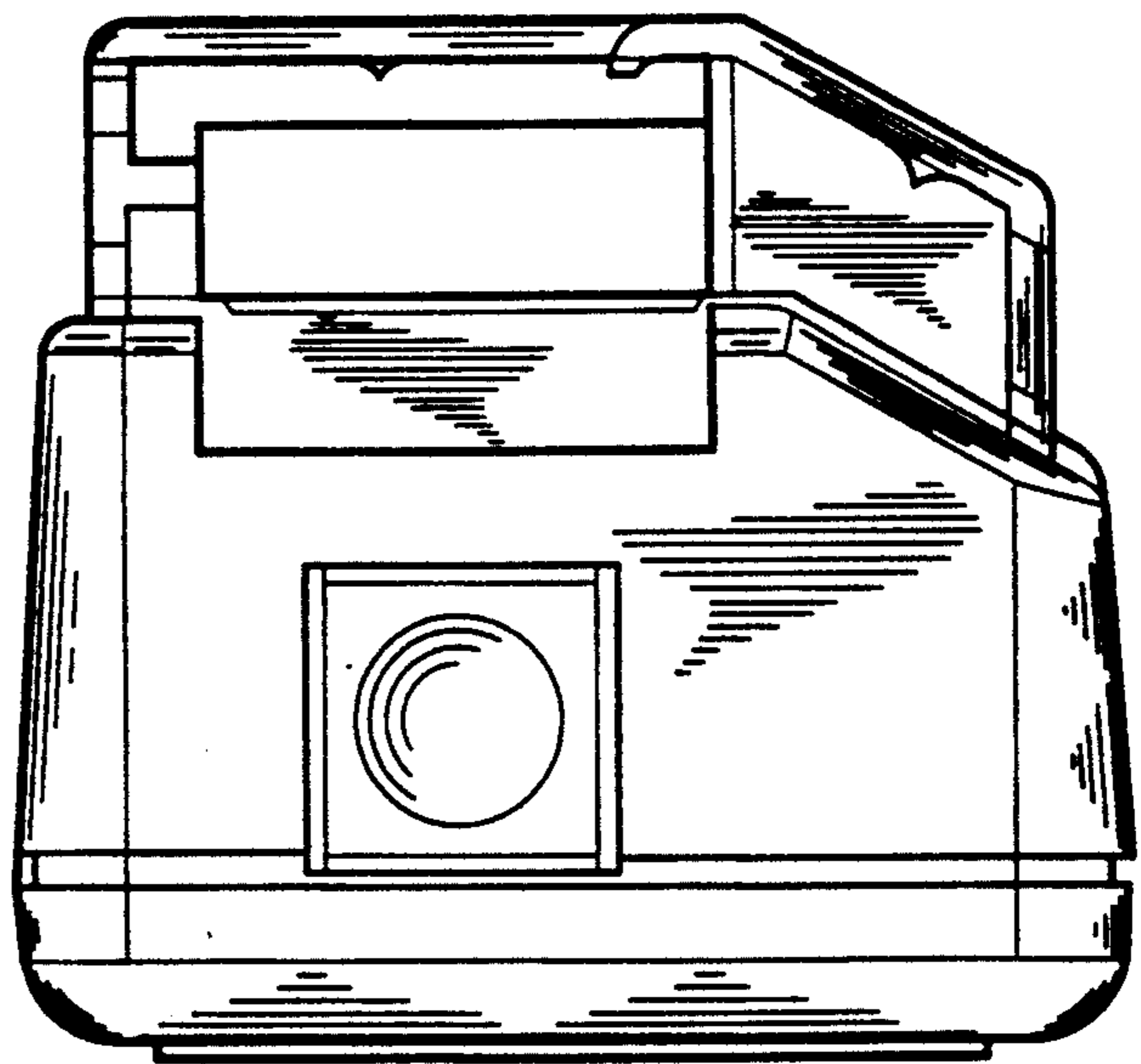


FIG. 6

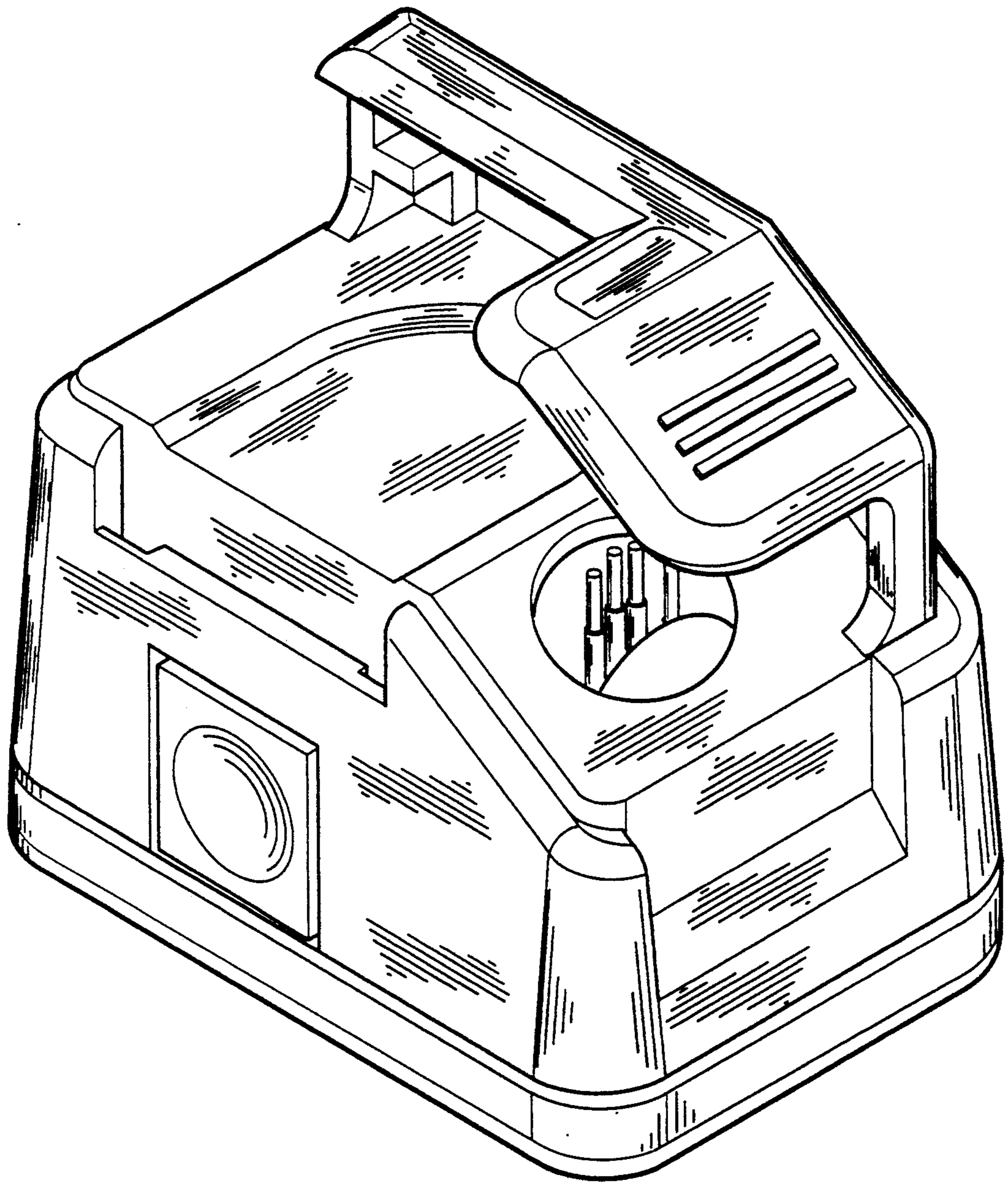


FIG. 7