



US00D334179S

United States Patent [19]

[11] Patent Number: **Des. 334,179**

Crafoord

[45] Date of Patent: **** Mar. 23, 1993**

[54] **HAND HELD TERMINAL**

[56] **References Cited**

[75] Inventor: **Carl-Goran Crafoord, Bromma, Sweden**

U.S. PATENT DOCUMENTS

- D. 263,967 4/1982 Sakai et al. D18/7
- D. 302,973 8/1989 Nishida D18/7 X
- D. 303,521 9/1989 Savio et al. D18/7 X
- D. 310,210 8/1990 Ishida D14/100
- D. 311,907 11/1990 Yoshihara D14/106
- D. 312,821 12/1990 Kemp D14/100

[73] Assignee: **Car-O-Liner Company, Wixom, Mich.**

Primary Examiner—Wallace R. Burke
Assistant Examiner—Freda S. Nunn
Attorney, Agent, or Firm—Barnes, Kisselle, Raisch, Choate, Whittemore & Hulbert

[**] Term: **14 Years**

[21] Appl. No.: **660,573**

[57] **CLAIM**

[22] Filed: **Feb. 22, 1991**

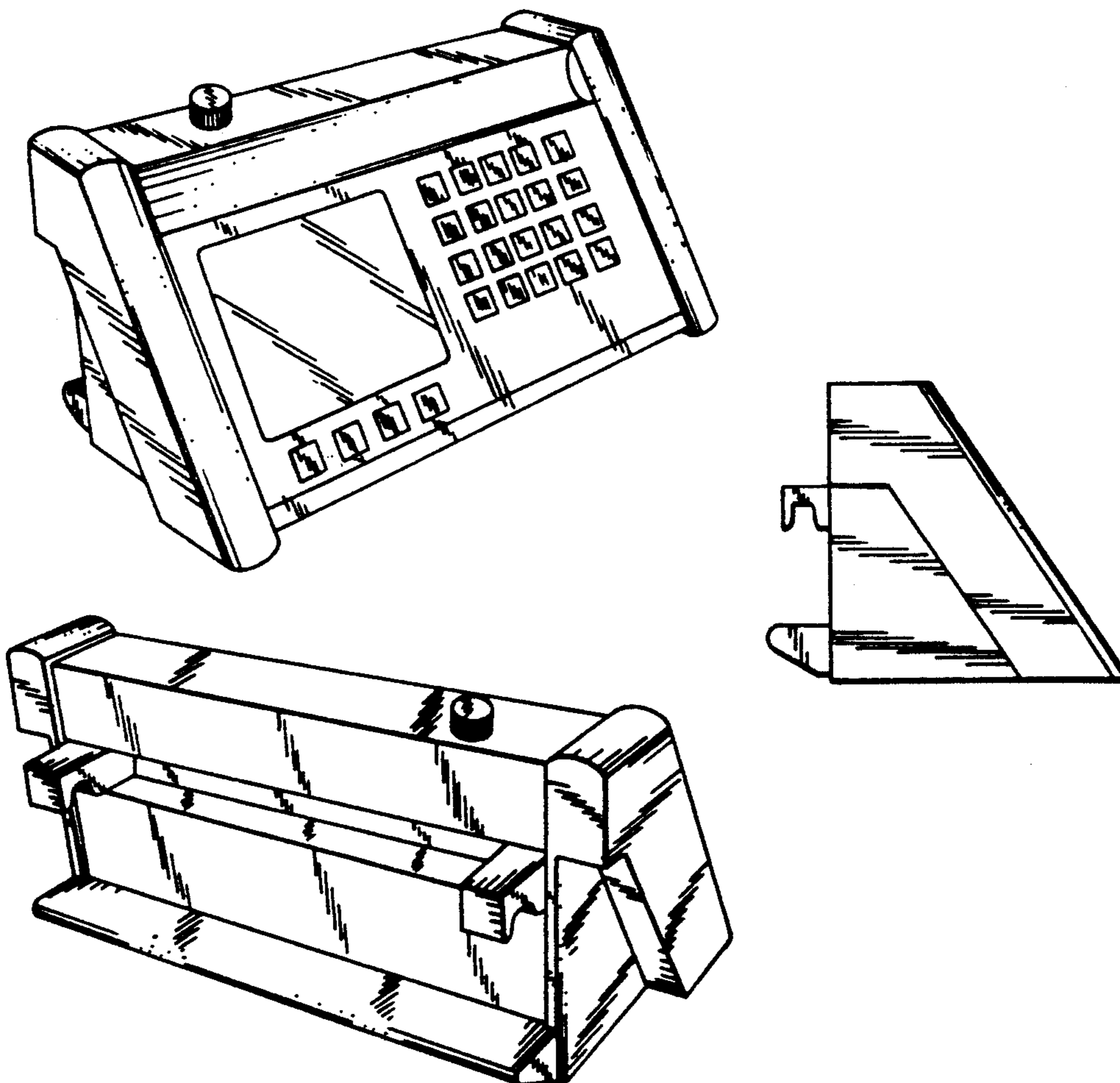
The ornamental design for a hand held terminal, as shown and described.

[30] **Foreign Application Priority Data**

- Mar. 26, 1990 [SE] Sweden 90-0694
- [52] U.S. Cl. **D14/100**
- [58] Field of Search D14/100, 101, 106, 113, D14/115; D18/1, 7, 11, 12; 235/145 A, 145 R; 340/700, 706; 341/22, 23; 364/708, 709.04; 361/390, 394

DESCRIPTION

FIG. 1 is a top front and side perspective view of a hand held terminal showing my new design; FIG. 2 is a rear perspective view thereof; FIG. 3 is a bottom plan view thereof; and, FIG. 4 is a side elevational view thereof the opposite side being a mirror image.



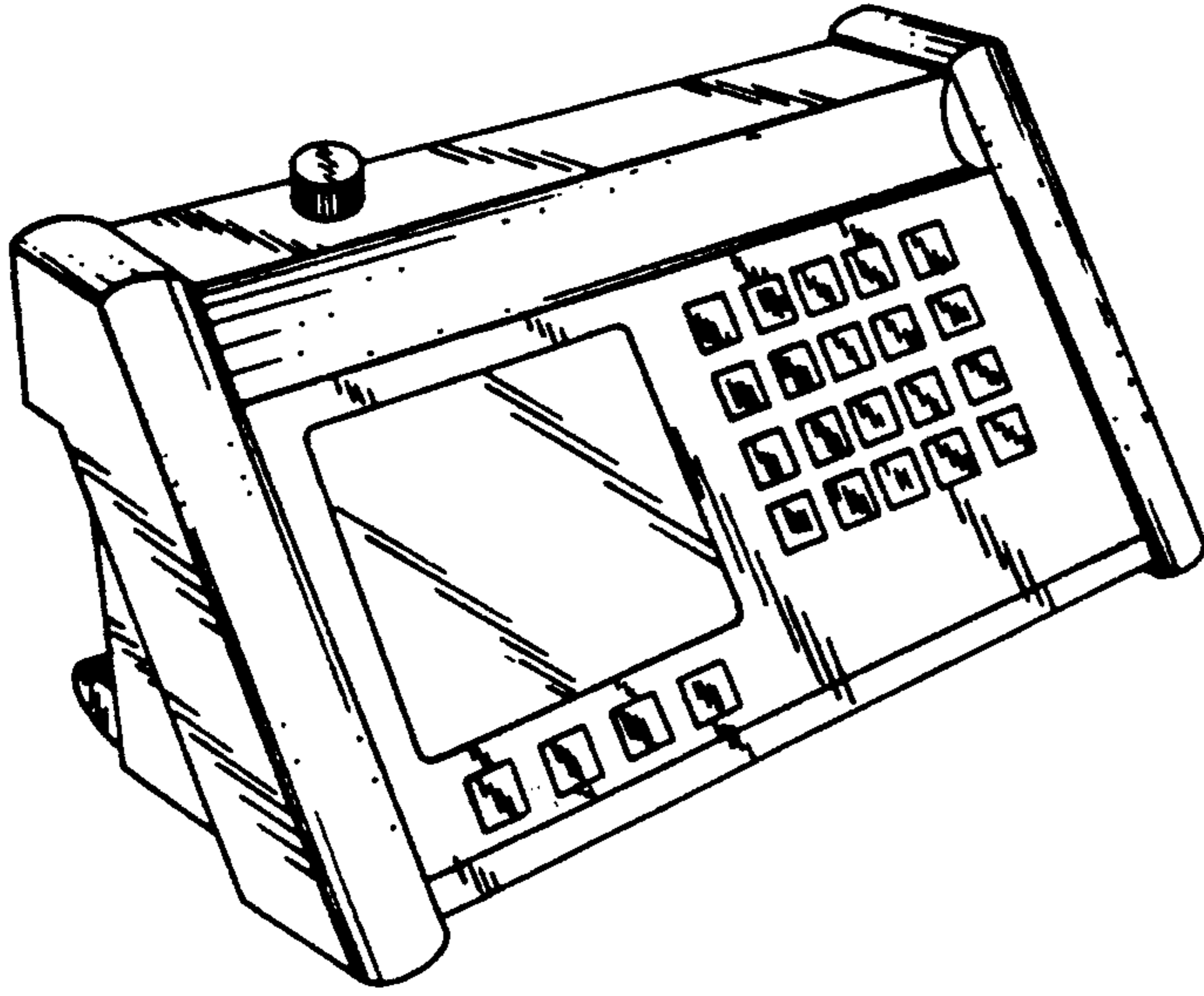


FIG. 1

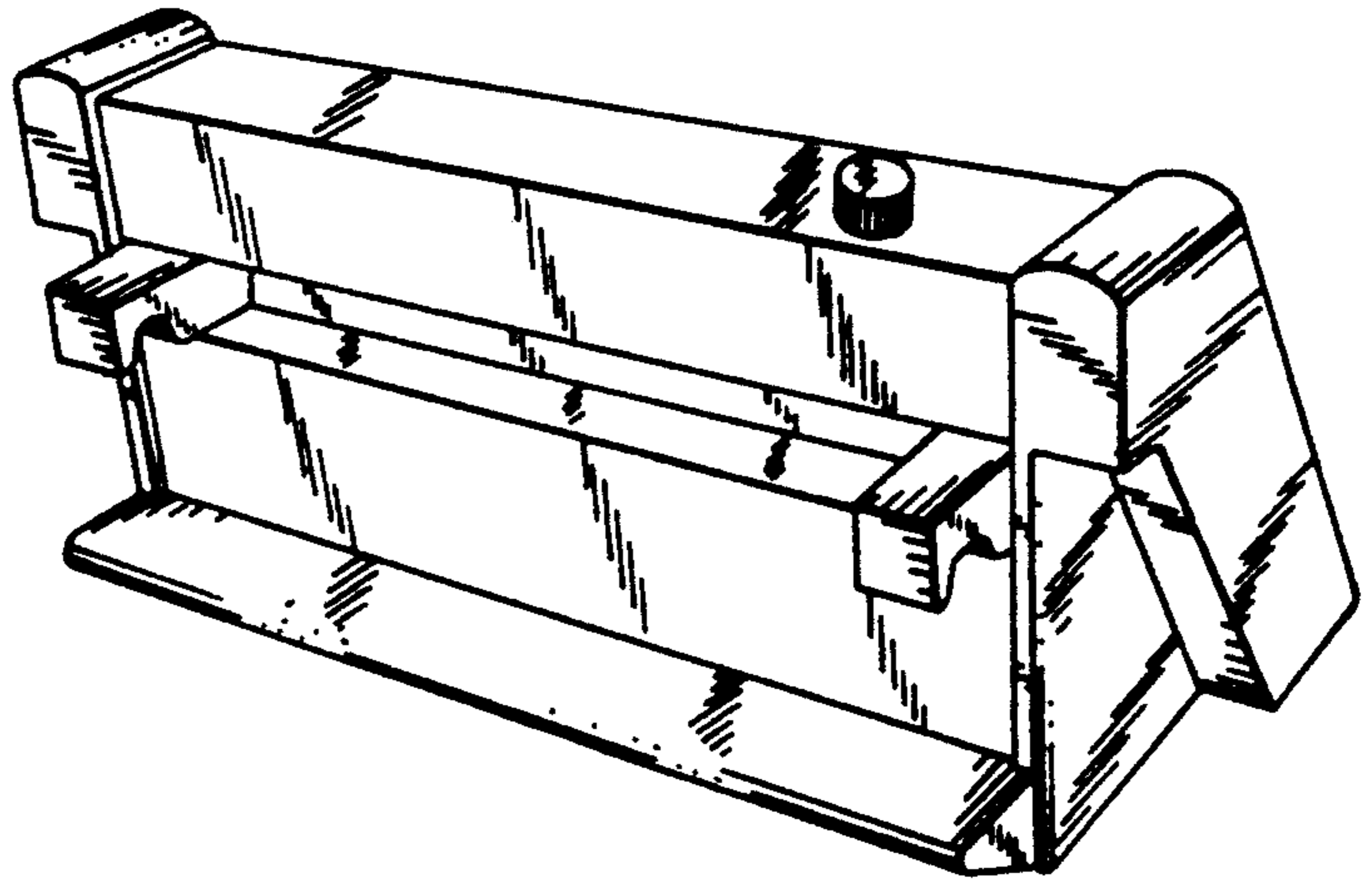


FIG. 2

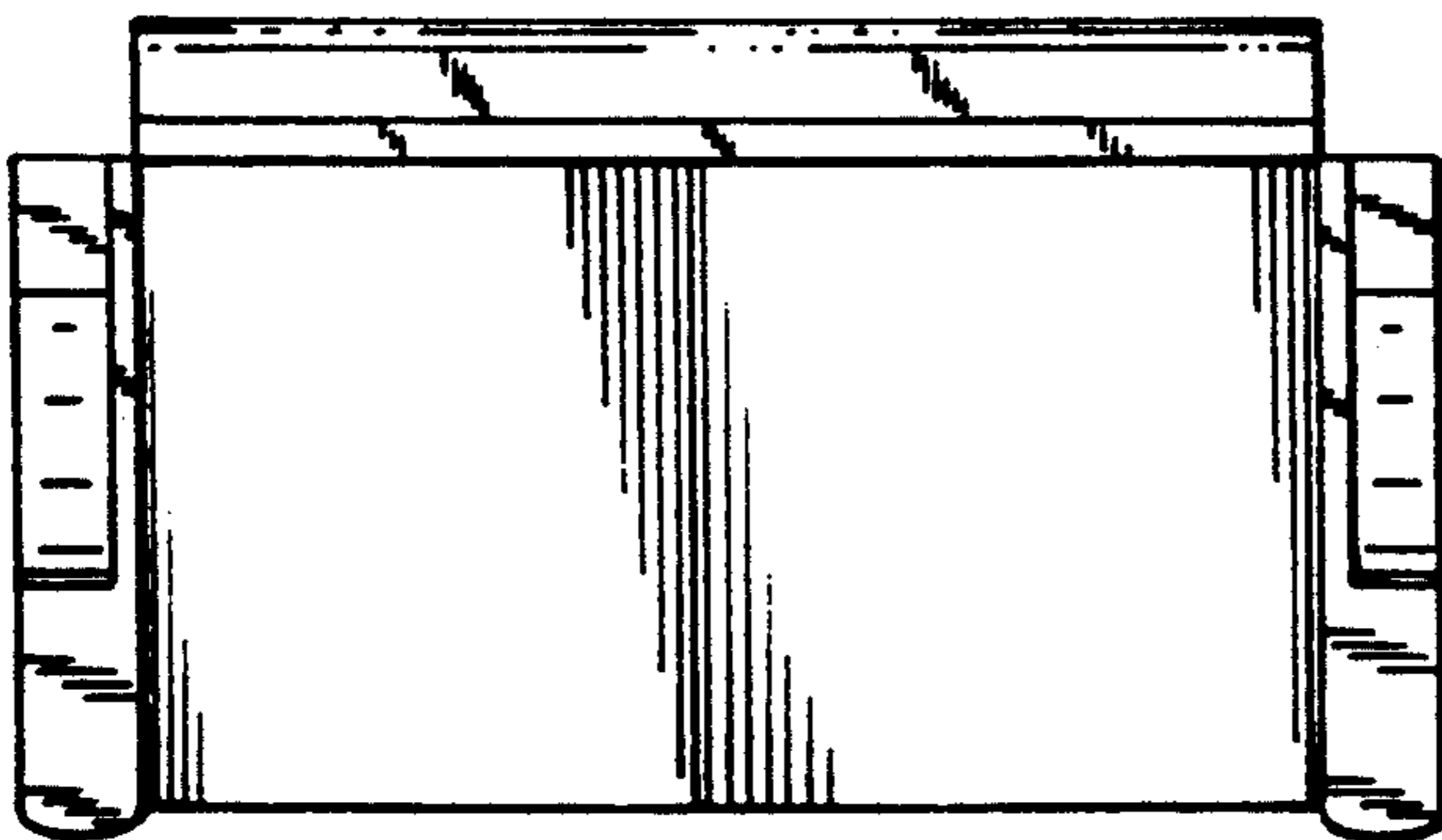


FIG. 3

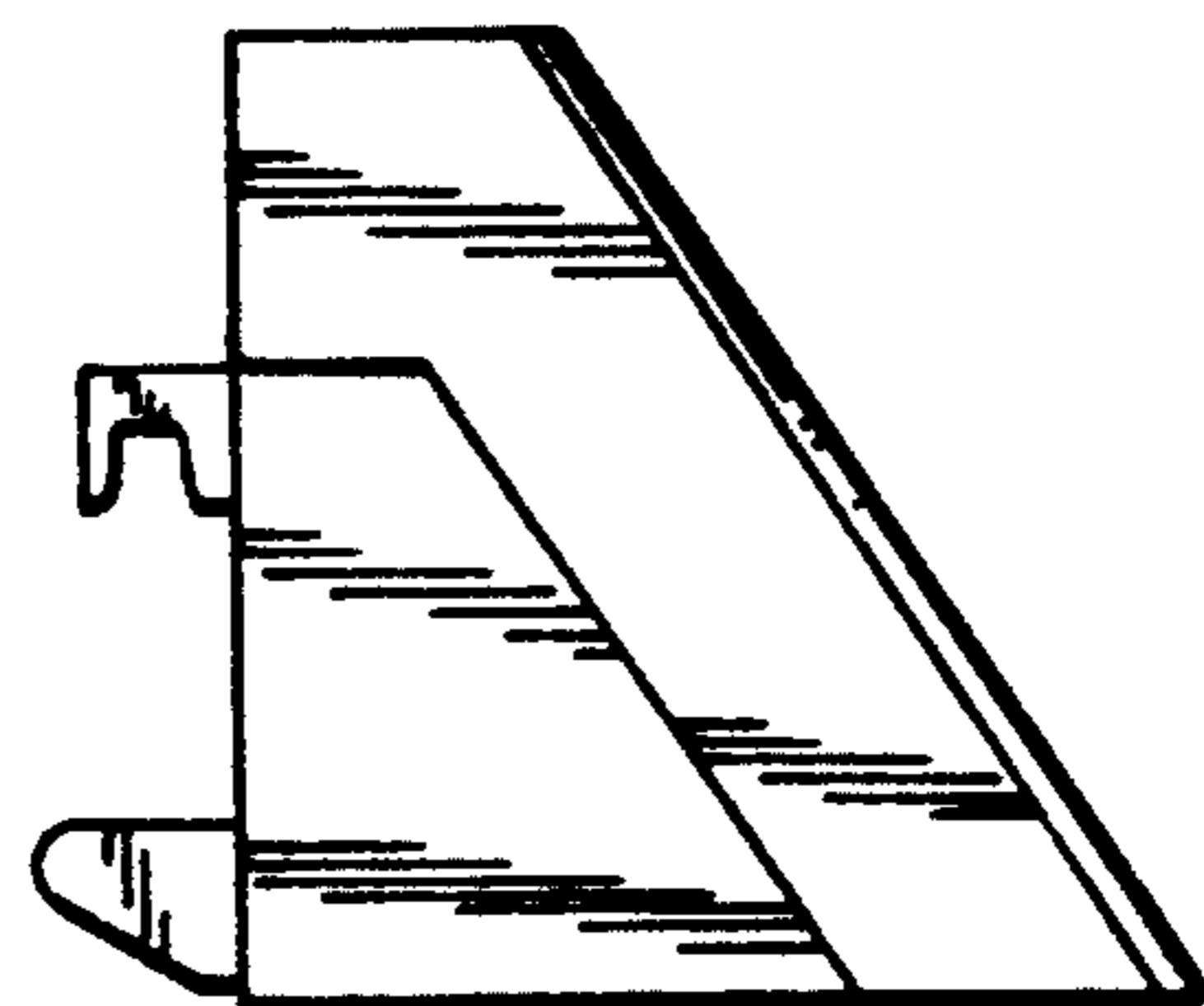


FIG. 4