



US00D334176S

United States Patent [19]
Steinbugler

[11] **Patent Number: Des. 334,176**
[45] **Date of Patent: ** Mar. 23, 1993**

- [54] **RACK MOUNTED CONTROLLER FOR DATA PROCESSING EQUIPMENT**
- [75] **Inventor: Robert E. Steinbugler, Raleigh, N.C.**
- [73] **Assignee: International Business Machines Corporation, Armonk, N.Y.**
- [**] **Term: 14 Years**
- [21] **Appl. No.: 605,871**
- [22] **Filed: Oct. 26, 1990**
- [52] **U.S. Cl. D14/100**
- [58] **Field of Search D14/100, 102, 107, 109; D13/110, 160, 184, 199; 360/99.01-99.12; 361/390-395**

D. 322,428 12/1991 Sato et al. D14/100

Primary Examiner—Wallace R. Burke
Assistant Examiner—Freda S. Nunn
Attorney, Agent, or Firm—Stephen T. Keohane

[57] **CLAIM**

The ornamental design of a rack mounted controller for data processing equipment, as shown and described.

DESCRIPTION

FIG. 1 is a top front and right side perspective view of a rack mounted controller for data processing equipment showing my new design;
 FIG. 2 is a front elevational view thereof on an enlarged scale;
 FIG. 3 is a rear elevational view thereof on an enlarged scale;
 FIG. 4 is a rear and left side perspective view thereof;
 FIG. 5 is a left side elevational view thereof;
 FIG. 6 is a right side elevational view thereof;
 FIG. 7 is a top plan view thereof; and,
 FIG. 8 is a bottom plan view thereof.

[56] **References Cited**

U.S. PATENT DOCUMENTS

- D. 290,844 7/1987 Shibuya et al. D14/109
- D. 293,242 12/1987 Hujimori et al. D14/100
- D. 308,047 5/1990 Aderman et al. D14/100
- D. 319,225 8/1991 Kliine et al. D14/109

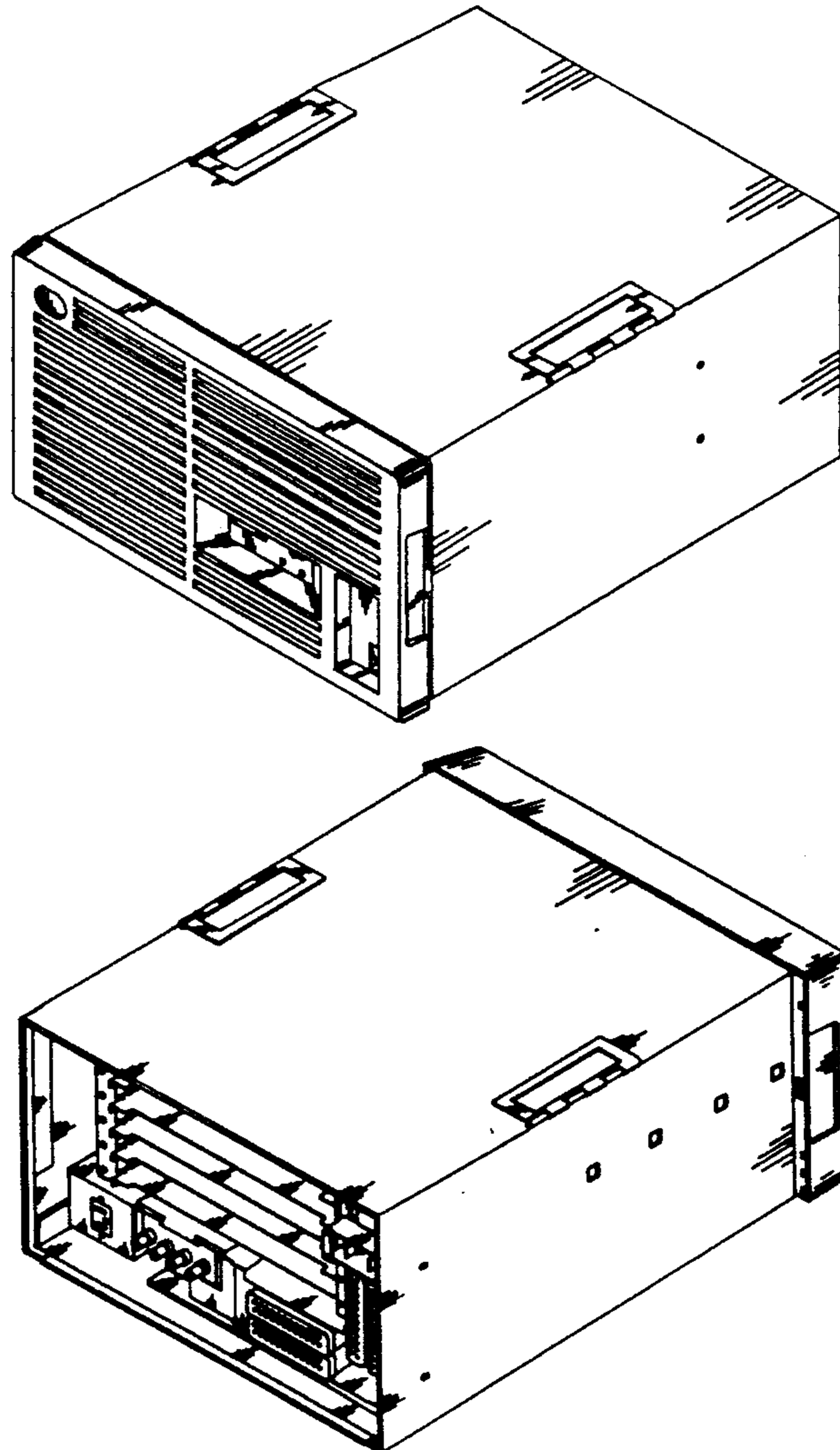


FIG. 1

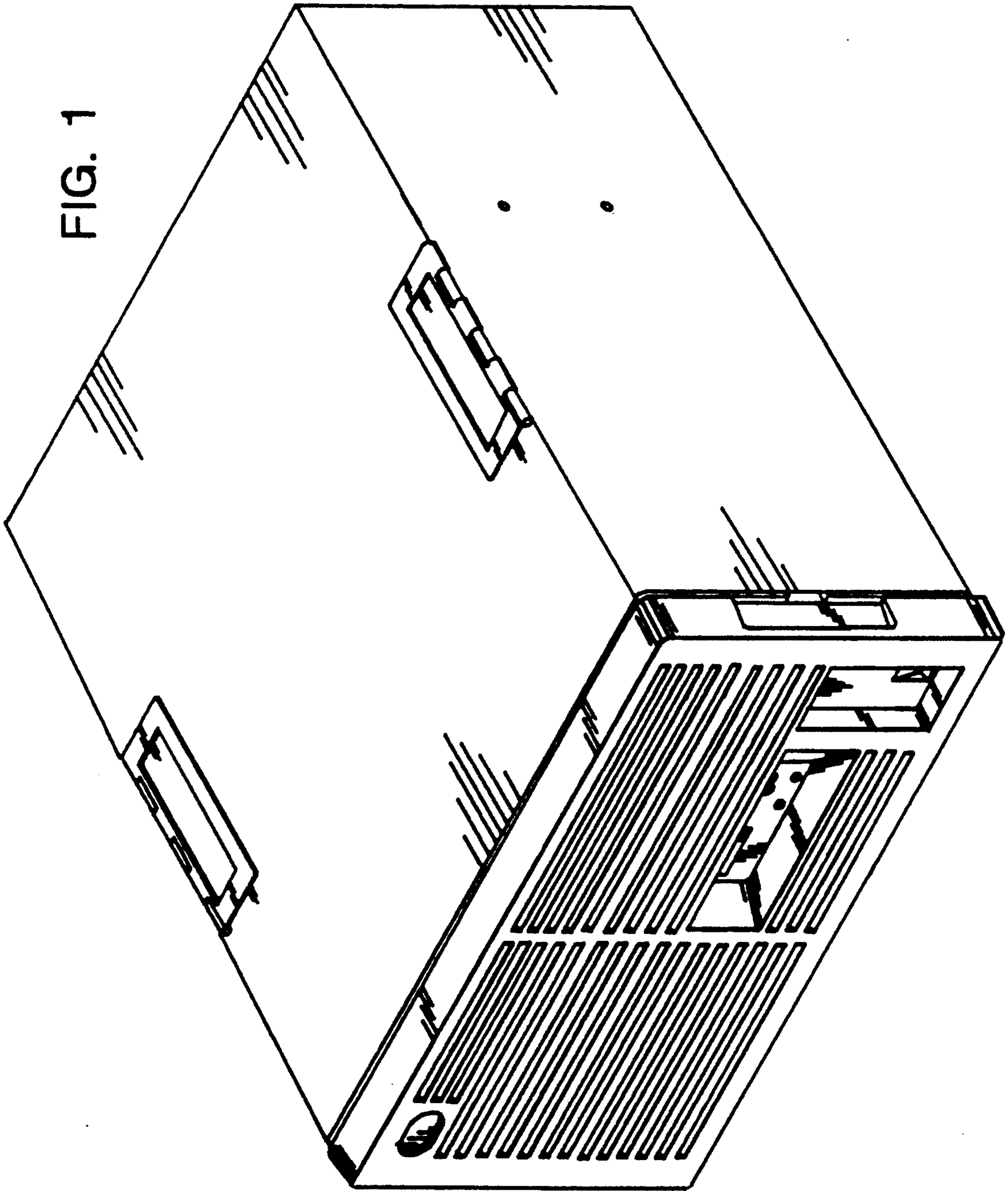


FIG. 2

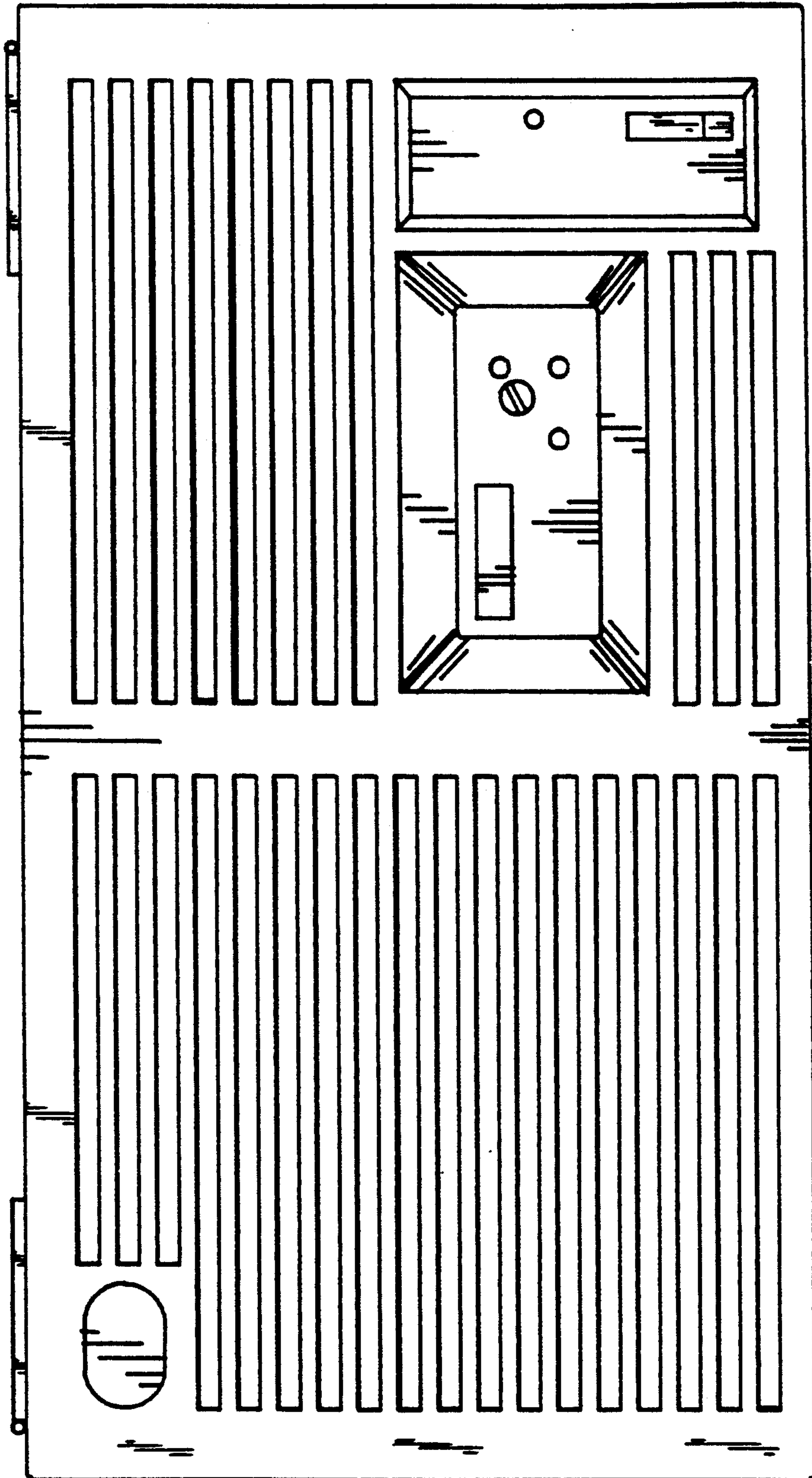
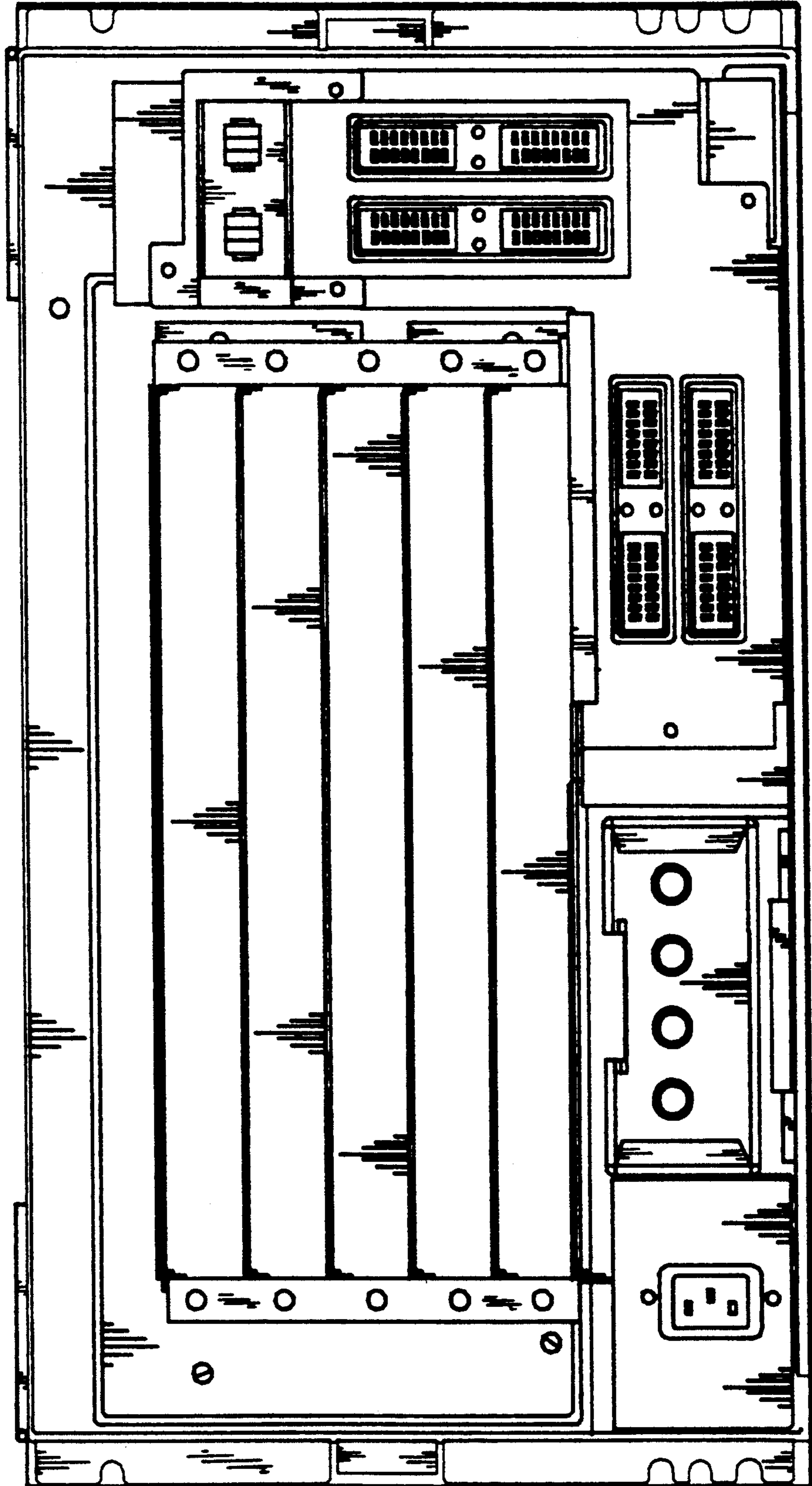


FIG. 3



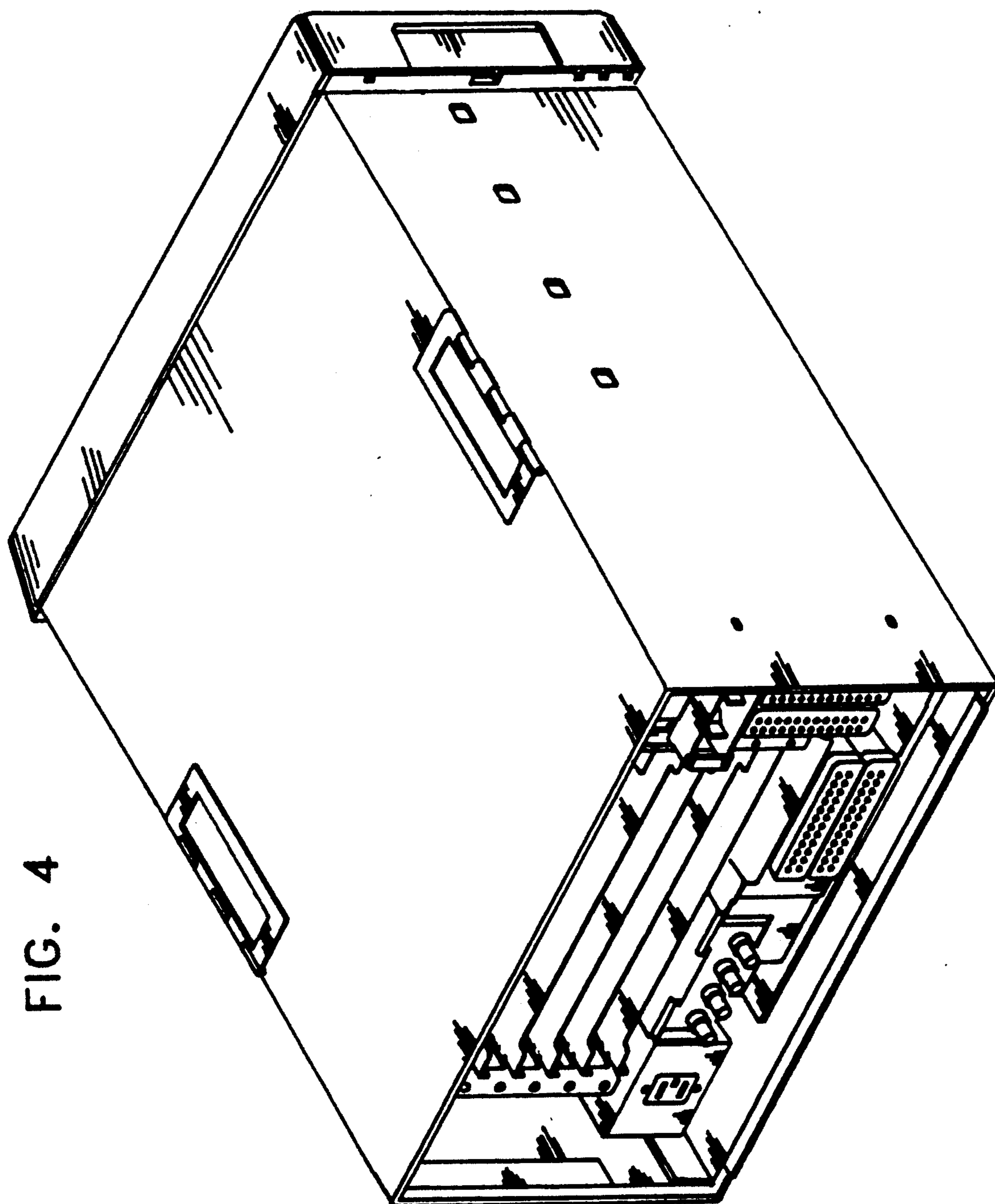


FIG. 4

FIG. 5

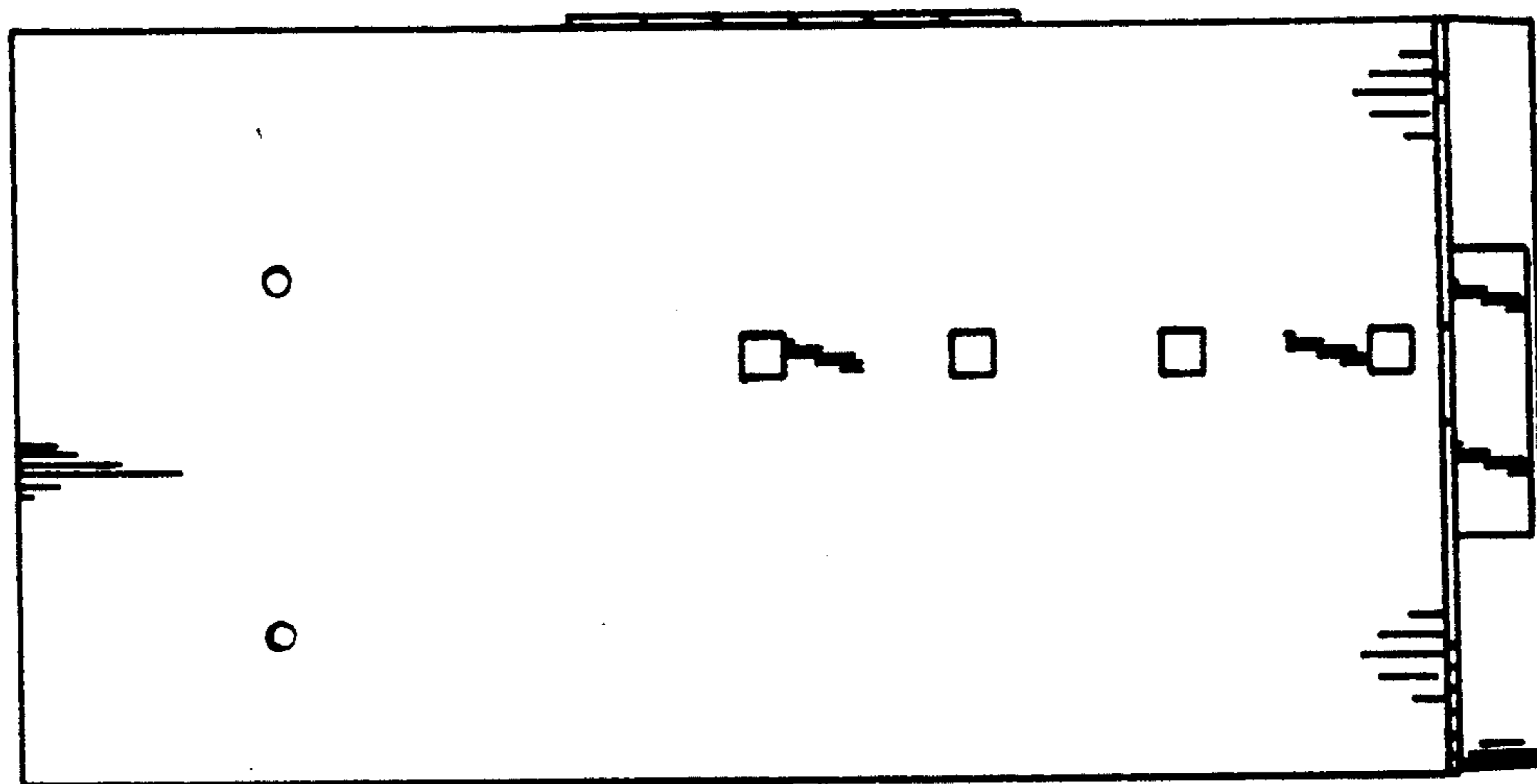


FIG. 6

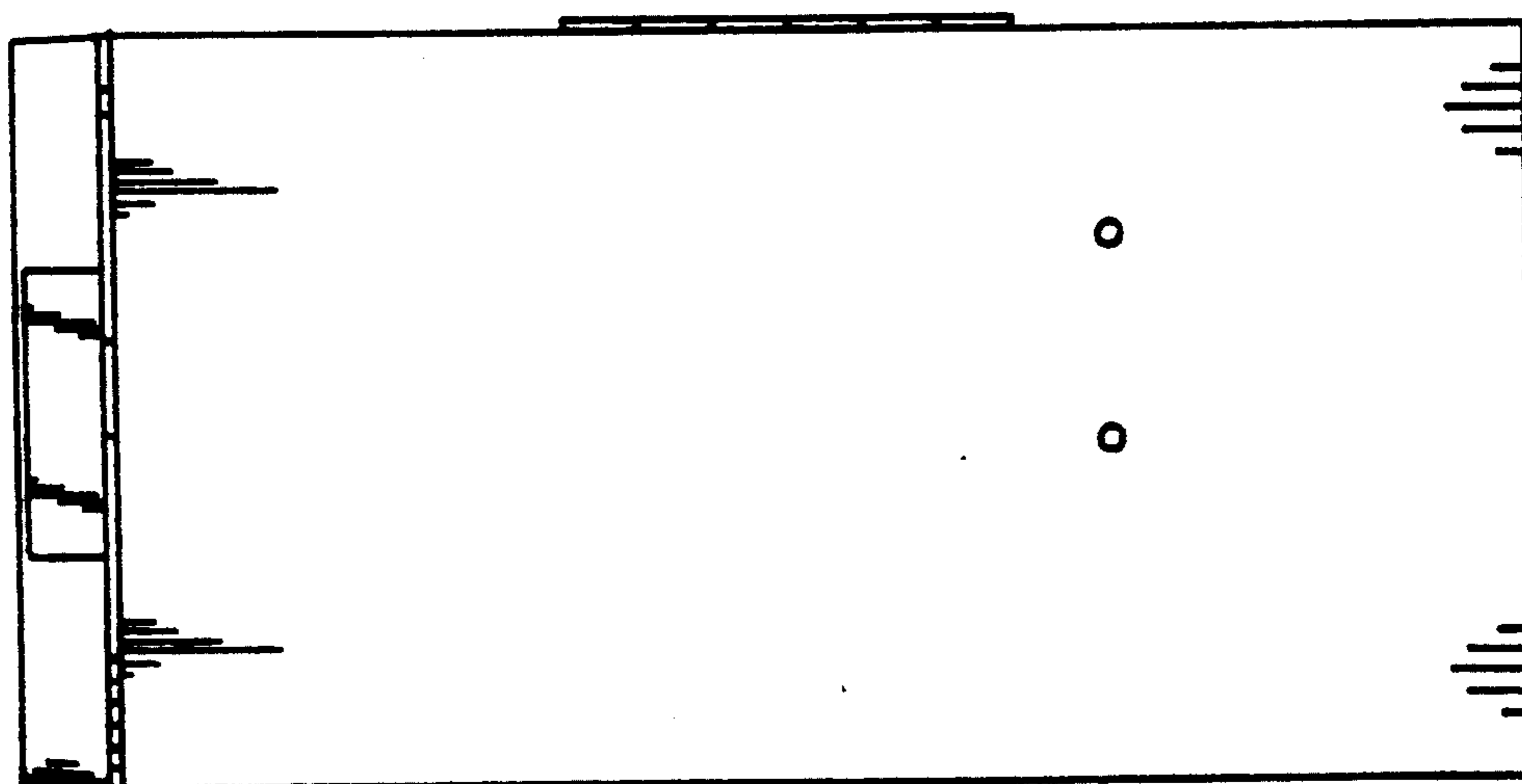


FIG. 7

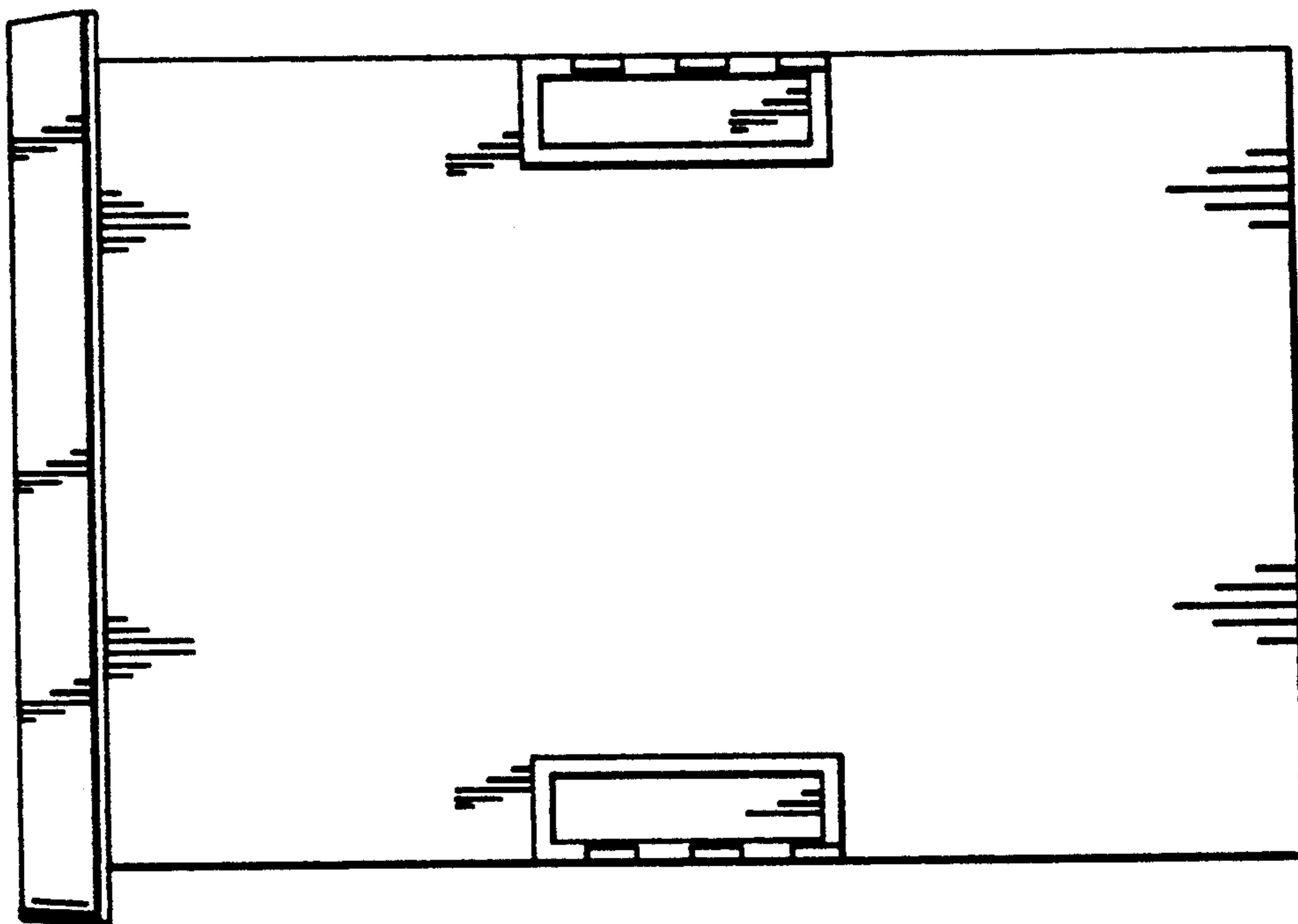


FIG. 8

