



US00D334174S

United States Patent [19]

[11] Patent Number: **Des. 334,174**

Hosogai et al.

[45] Date of Patent: **** Mar. 23, 1993**

[54] RESIDUAL CURRENT OPERATED CIRCUIT-BREAKER

[75] Inventors: **Setsuo Hosogai; Hiroshi Fujii; Yoshiaki Matsumoto; Kazuyoshi Sugihara; Shingo Maeda; Shinji Yokota**, all of Fukuyama; **Masakatsu Suzuki**, Kamakura, all of Japan

[73] Assignee: **Mitsubishi Denki Kabushiki Kaisha**, Chiyoda, Japan

[**] Term: **14 Years**

[21] Appl. No.: **774,284**

[22] Filed: **Oct. 9, 1991**

[30] Foreign Application Priority Data

Apr. 10, 1991 [JP] Japan 3-10634

[52] U.S. Cl. **D13/160**

[58] Field of Search D13/158, 160; 361/115, 361/357; 200/43.01, 293, 144 AP; 335/6, 8, 16, 18

[56] References Cited

U.S. PATENT DOCUMENTS

D. 315,333	3/1991	Barbier et al.	D13/160
D. 321,169	10/1991	Bouteiller	D13/158
D. 326,844	6/1992	Bouteiller	D13/158
4,595,812	6/1986	Tamaru et al.	D13/160 X

OTHER PUBLICATIONS

Mitsubishi circuit breaker on p. 761 of *Elektrotechnische Zeitschrift*, Jul. 1985.

Circuit breakers on p. 240 of *Westinghouse Consulting Application Guide*, Mar. 1989.

Group of four circuit breakers on p. 620 of *Elektrotechnische Zeitschrift*, Jun. 1989.

Super NV, published by Mitsubishi Denki Kabushiki Kaisha, Mar. 1987.

Primary Examiner—Wallace R. Burke

Assistant Examiner—Joel Sincavage

Attorney, Agent, or Firm—Burns, Doane, Swecker & Mathis

[57] CLAIM

The ornamental design for a residual current operated circuit-breaker, as shown and described.

DESCRIPTION

FIG. 1 is a front and upper right perspective view of residual current operated-circuit breaker showing our new design;

FIG. 2 is a front elevational view thereof;

FIG. 3 is a top plan view thereof;

FIG. 4 is a bottom plan view thereof;

FIG. 5 is a rear elevational view thereof;

FIG. 6 is a right side elevational view thereof; and,

FIG. 7 is a left side elevational view thereof.

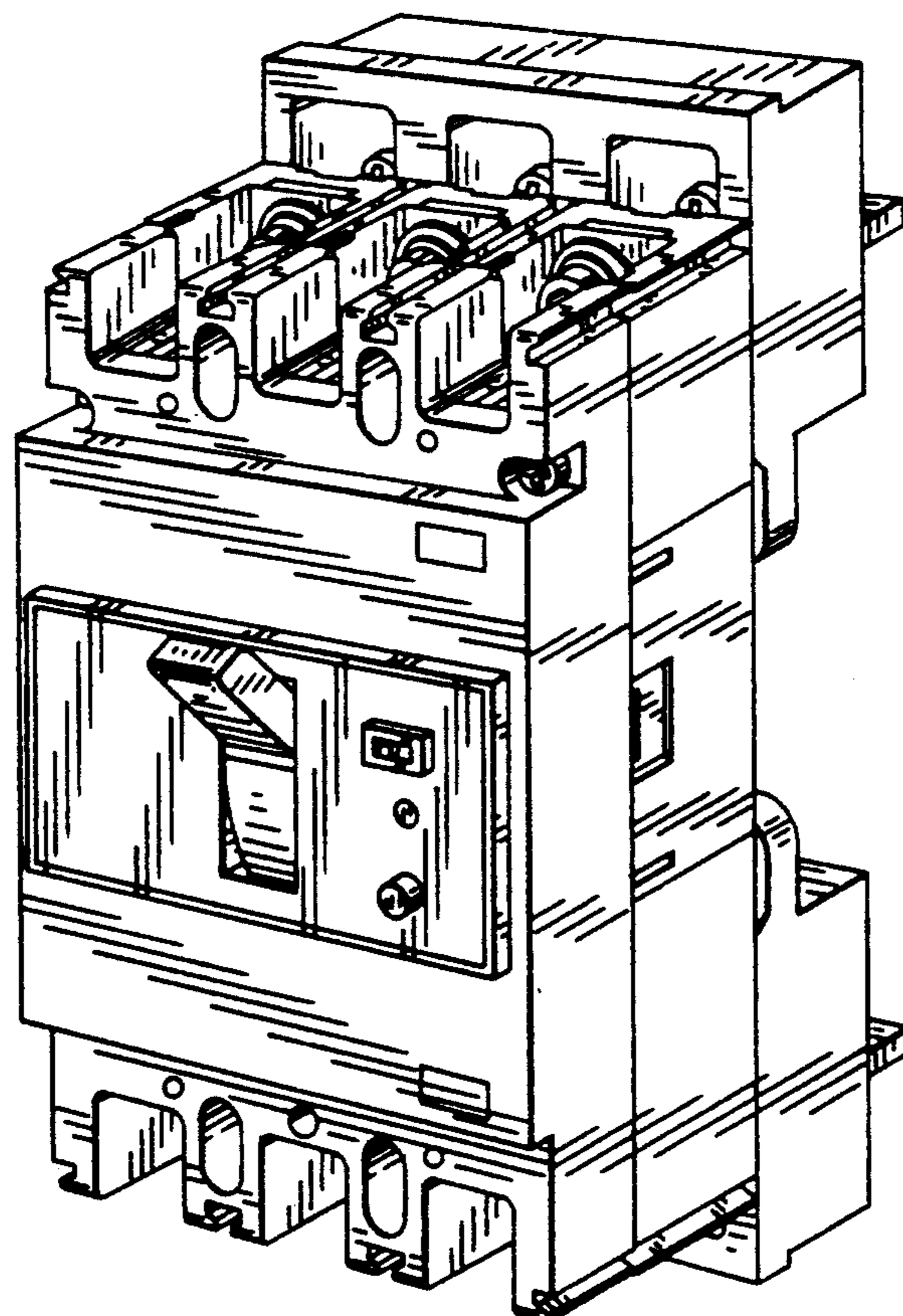


FIG. 1

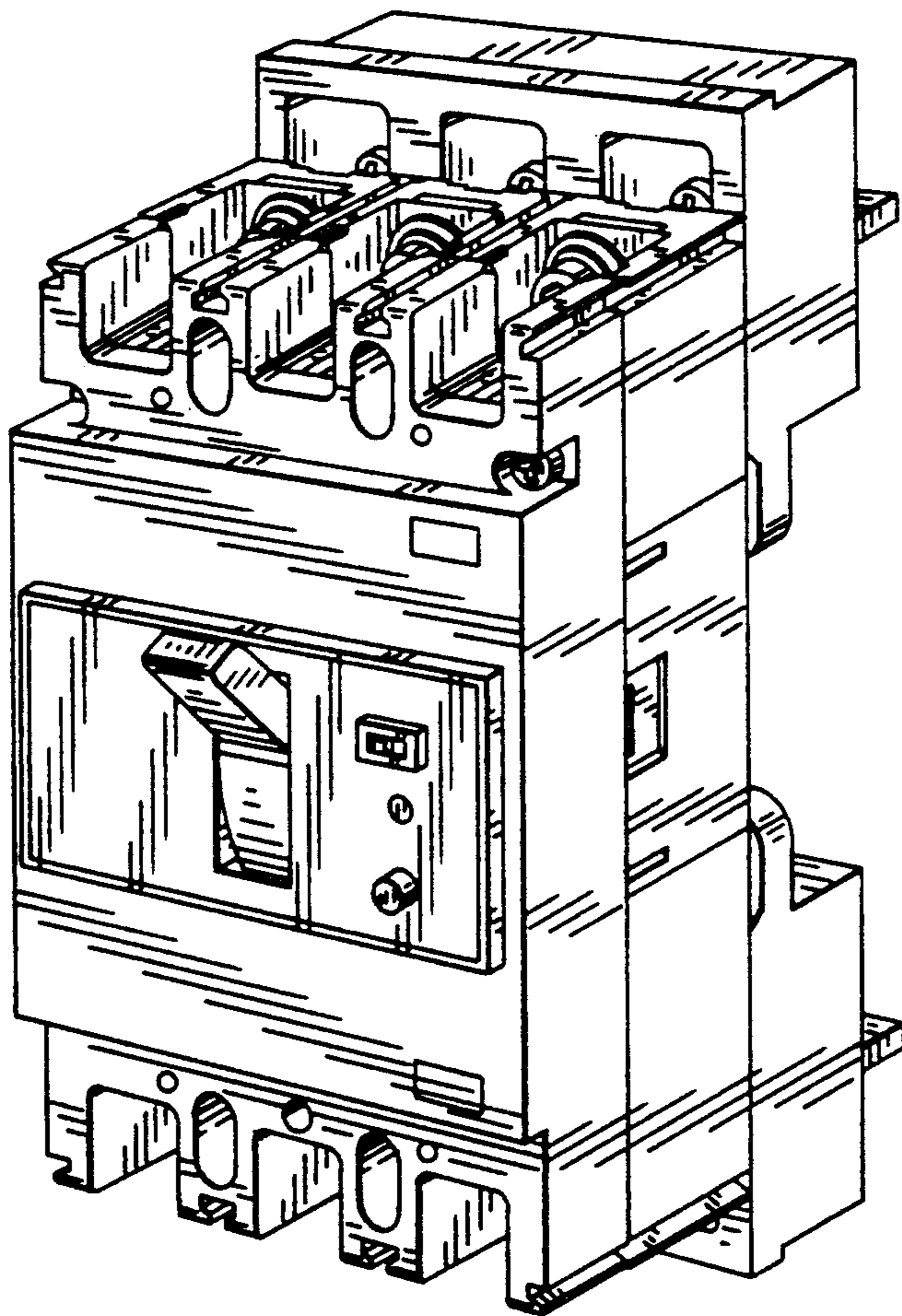


FIG. 2

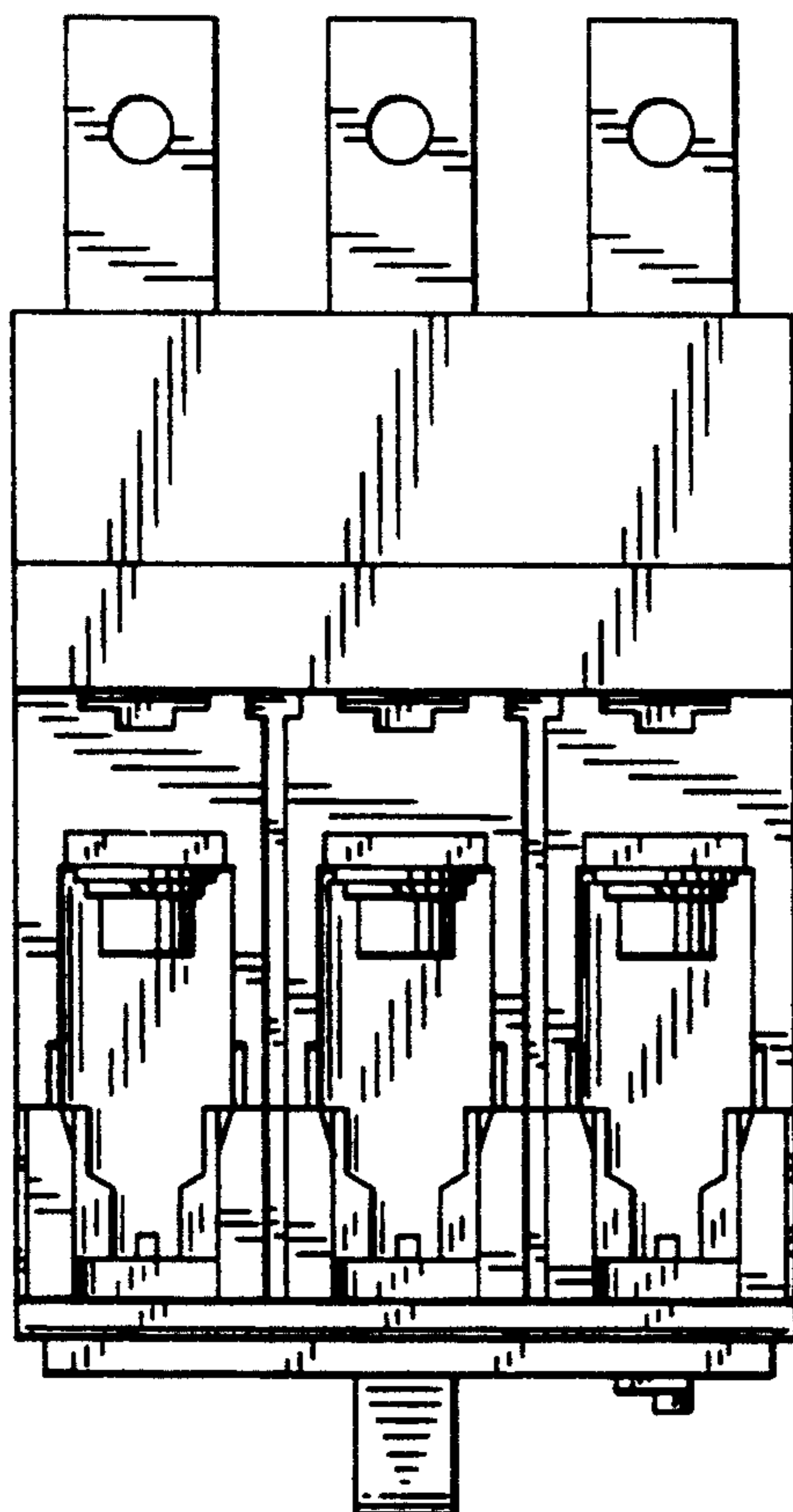
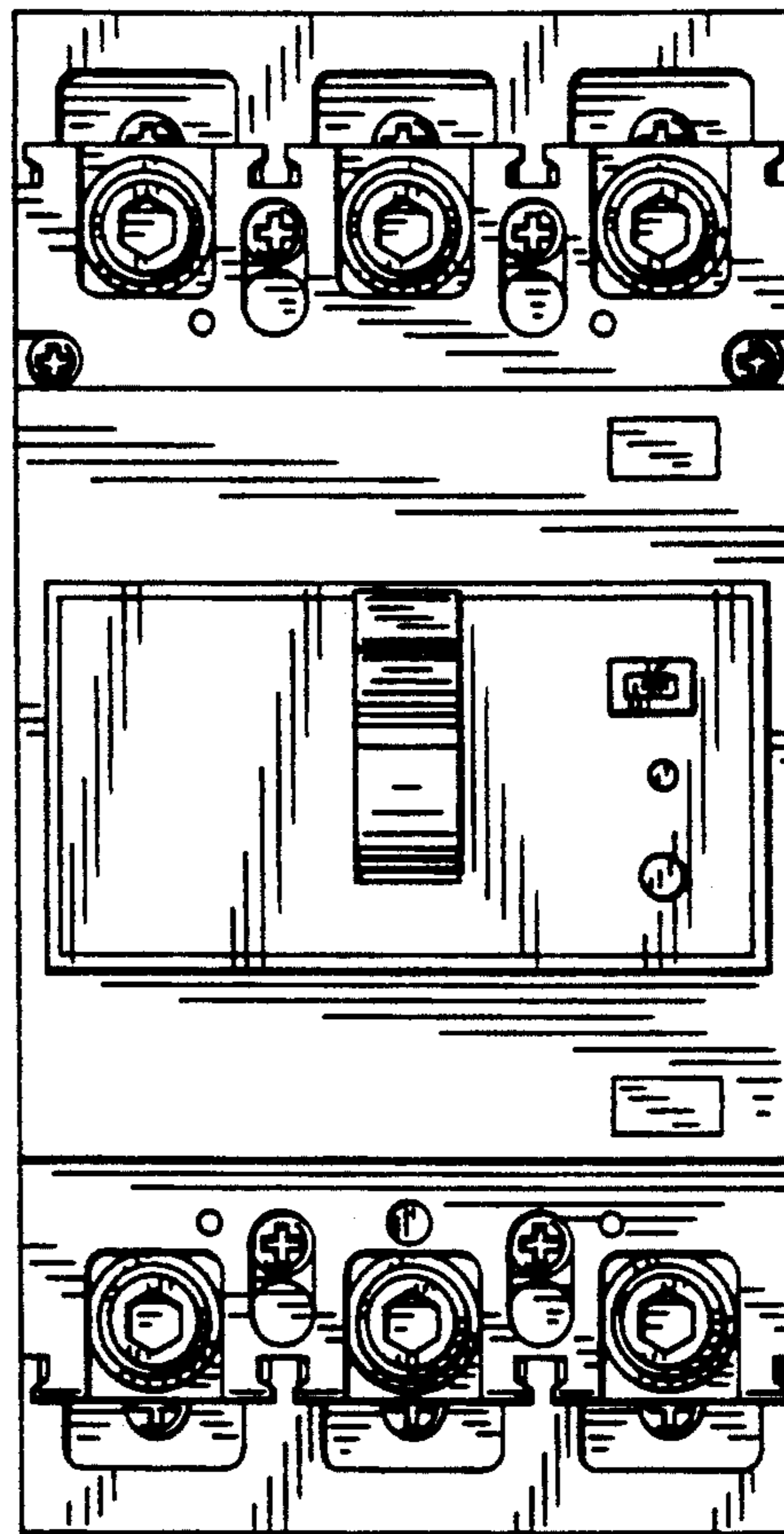


FIG. 3

FIG. 4

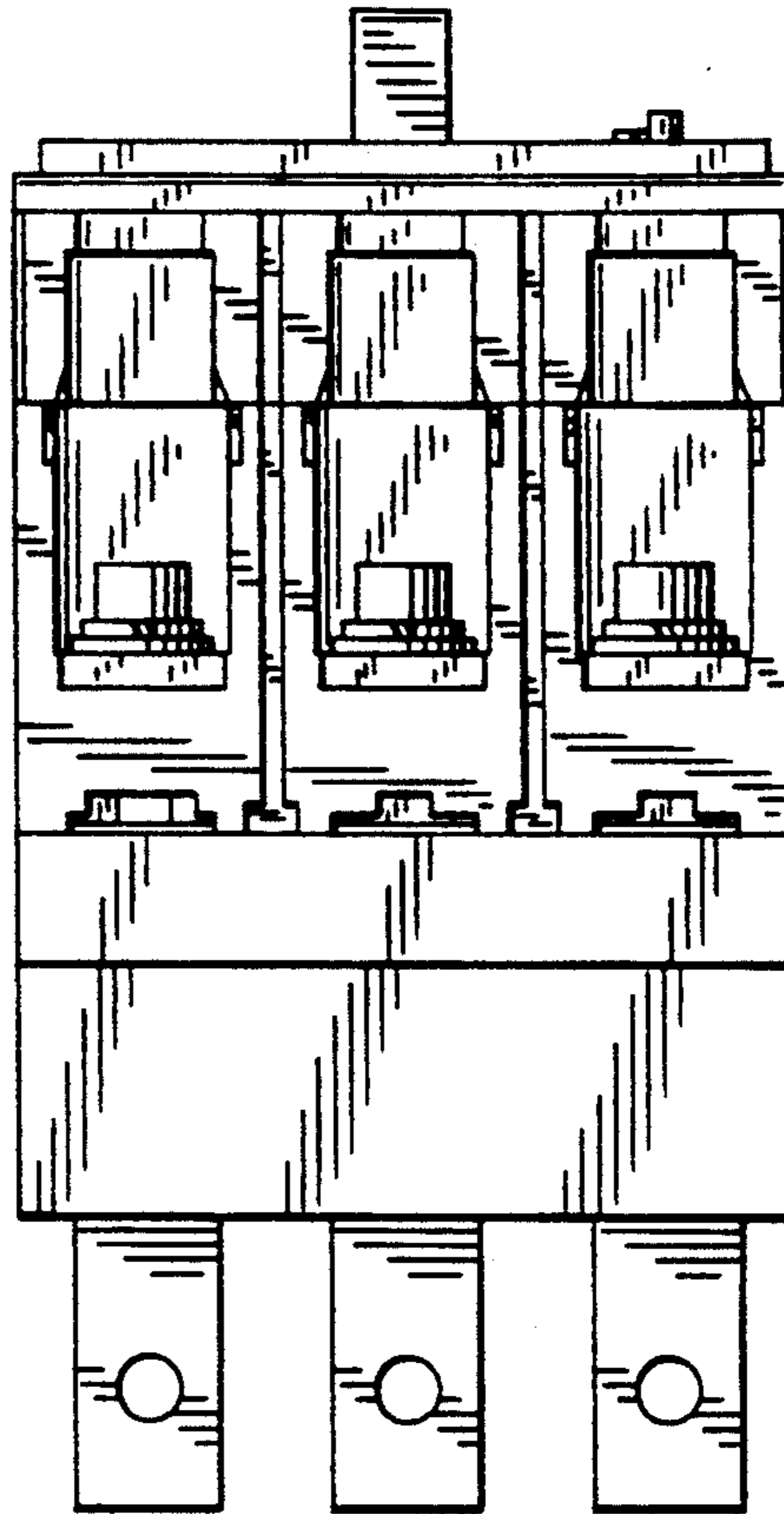


FIG. 5

