



US00D334173S

United States Patent [19]

[11] Patent Number: **Des. 334,173**

Liu et al.

[45] Date of Patent: **** Mar. 23, 1993**

[54] **PLASTIC OUTER SHELL FOR A COMPUTER CONNECTOR**

4,632,121 12/1986 Johnson et al. 439/502 X
4,703,989 11/1987 Price et al. 439/344 X
5,117,479 5/1992 Erdman et al. D13/133 X

[75] Inventors: **Yun-Yu Liu, Taipei; Ming-Shing Laiw, Yun Lin, both of Taiwan**

FOREIGN PATENT DOCUMENTS

[73] Assignee: **Pan-International Industrial Corp., Taipei, Taiwan**

1400395 4/1965 France 439/660

[**] Term: **14 Years**

Primary Examiner—Wallace R. Burke
Assistant Examiner—Joel Sincavage
Attorney, Agent, or Firm—Jacobson, Price, Holman & Stern

[21] Appl. No.: **731,083**

[57] CLAIM

[22] Filed: **Jul. 17, 1991**

The ornamental design for a plastic outer shell for a computer connector, as shown and described.

[52] U.S. Cl. **D13/133**

[58] Field of Search D13/133, 146, 156;
D14/256; 439/344, 449, 474, 502, 660, 668, 669,
966

DESCRIPTION

[56] References Cited

U.S. PATENT DOCUMENTS

D. 210,021 1/1968 Prifogle D13/156
D. 243,698 3/1977 Gietzen D14/256 X
D. 267,713 1/1983 Node et al. D13/133
D. 313,790 1/1991 Hirabayashi D13/133
D. 320,001 9/1991 Hirabayashi D13/146

FIG. 1 is a front and top perspective view of a plastic outer shell for a computer connector showing my new design;

FIG. 2 is a front elevational view thereof;

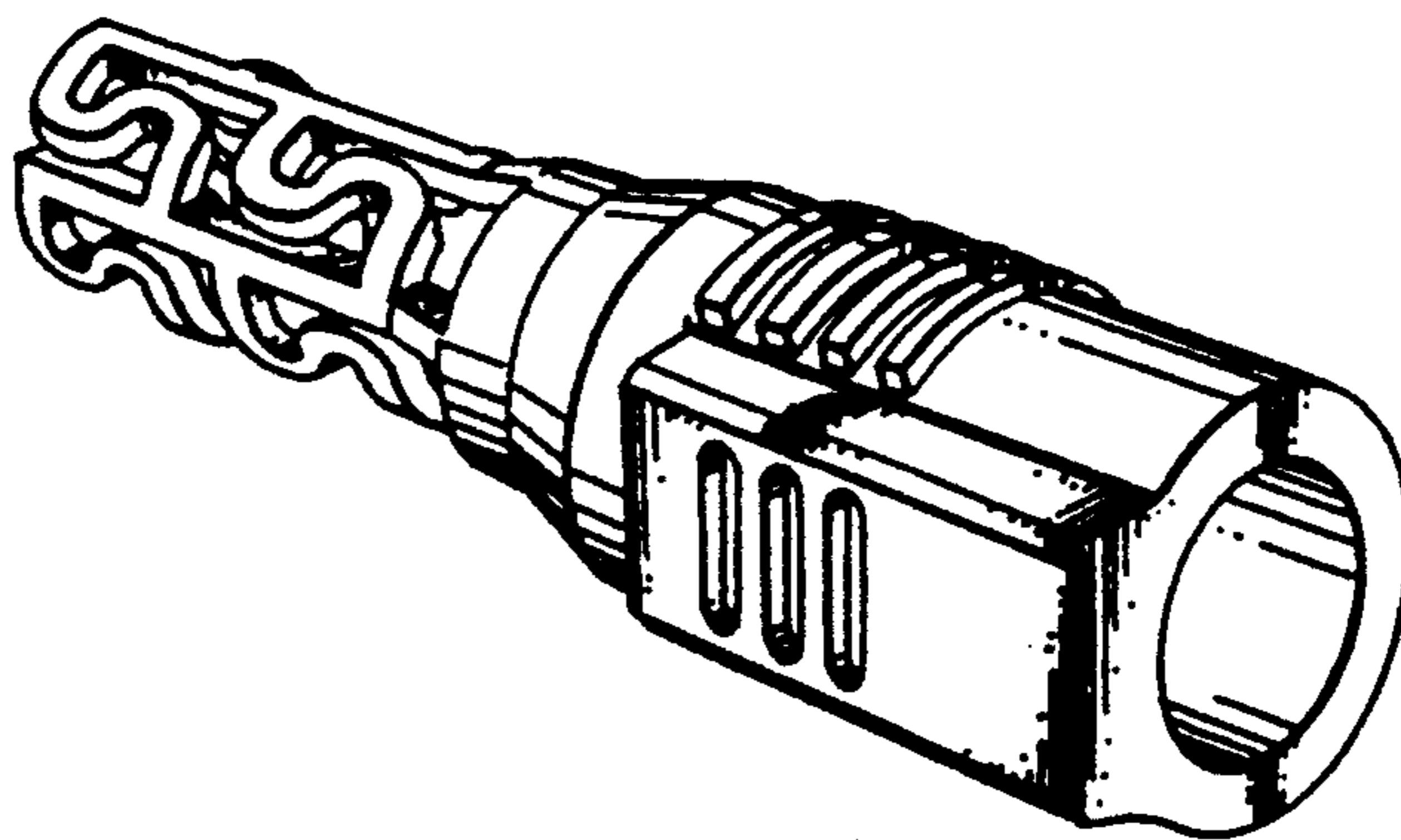
FIG. 3 is a rear elevational view thereof;

FIG. 4 is a left side elevational view thereof;

FIG. 5 is a right side elevational view thereof;

FIG. 6 is a top plan view thereof; and,

FIG. 7 is a bottom plan view thereof.



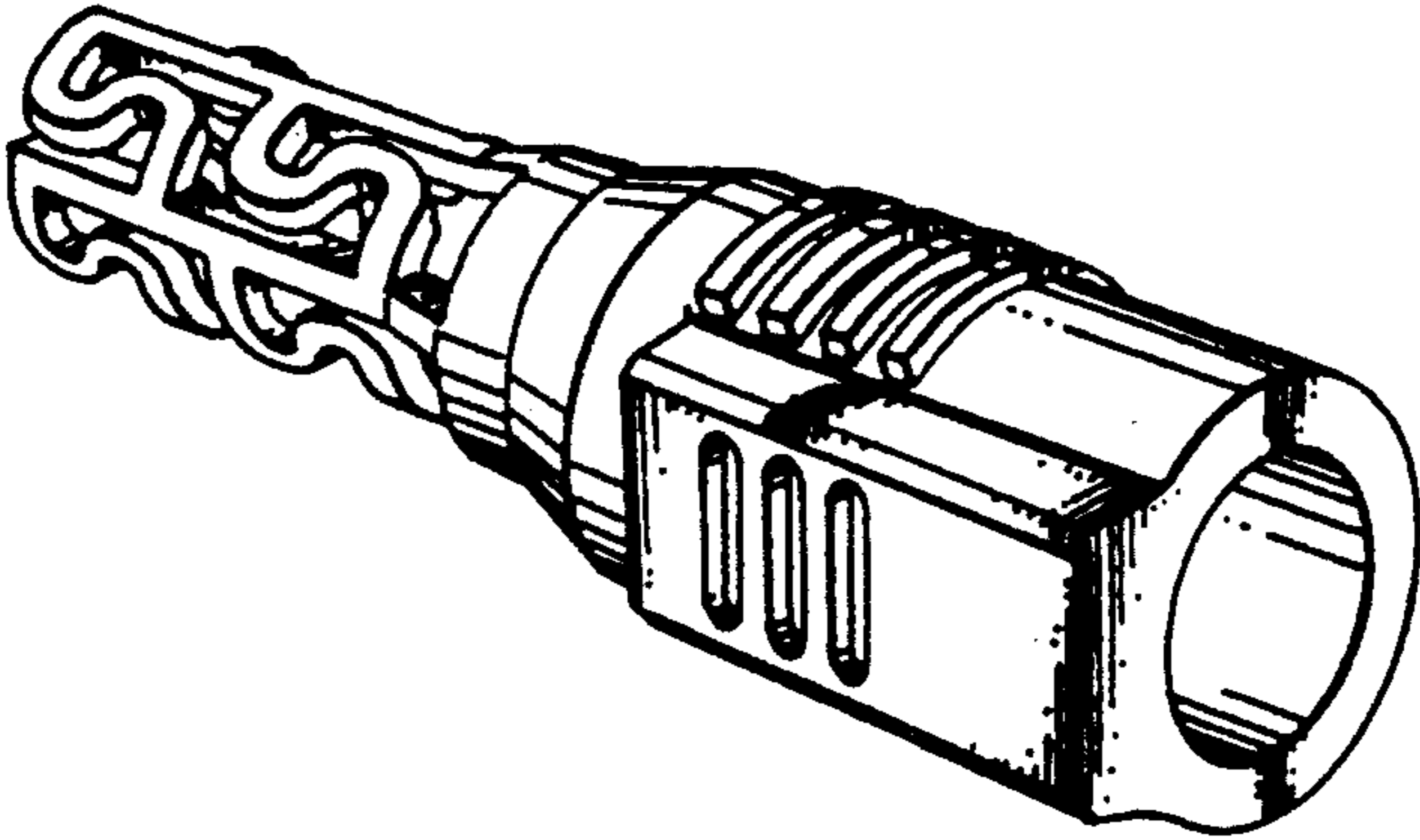


FIG. 1

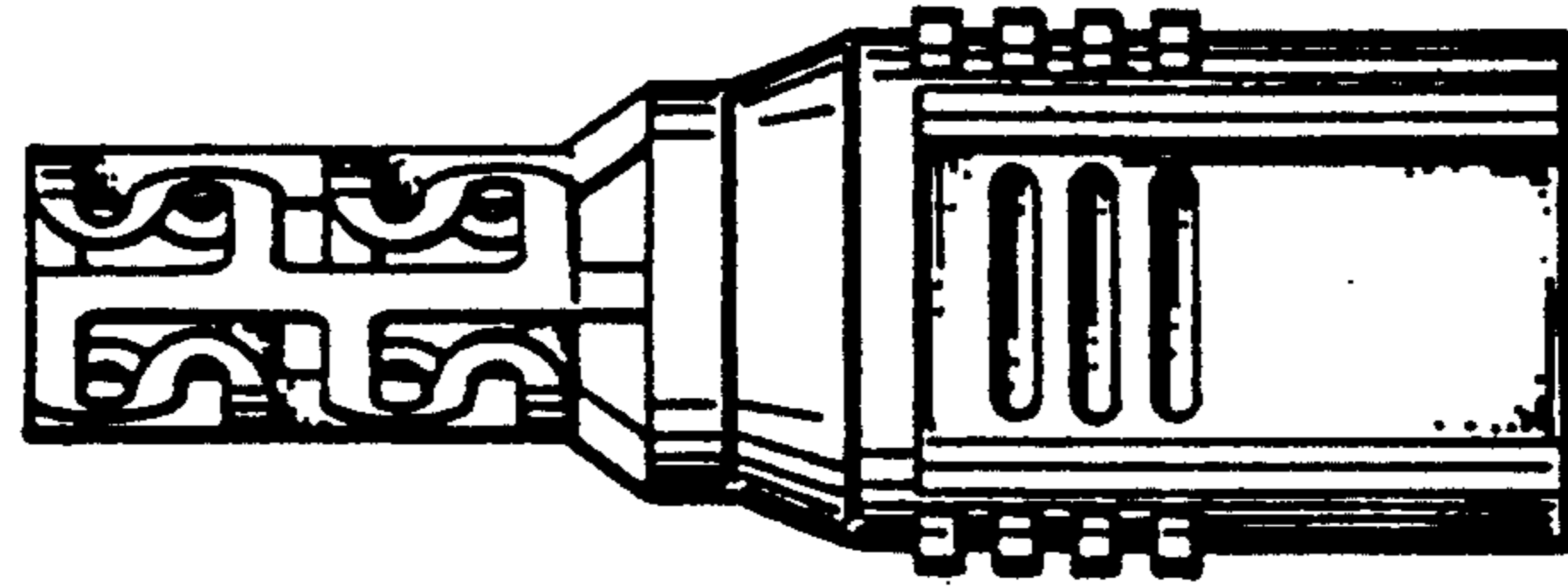


FIG. 2

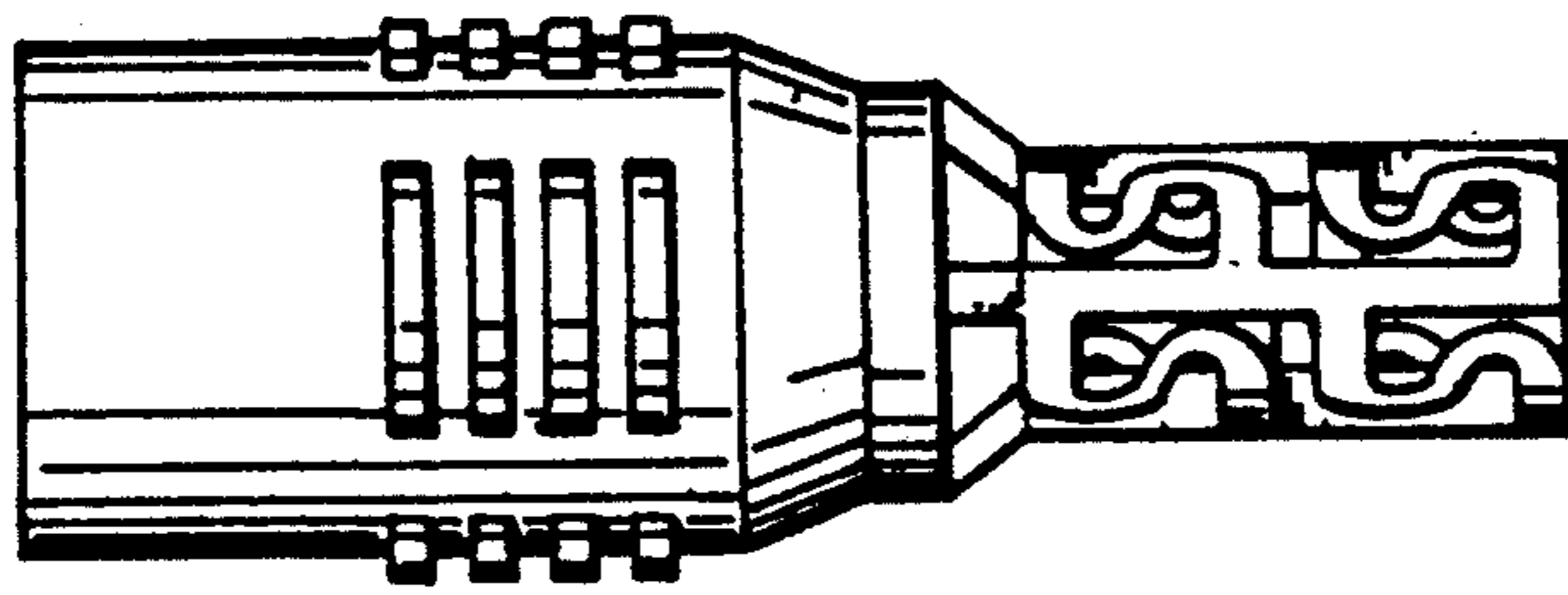


FIG. 3

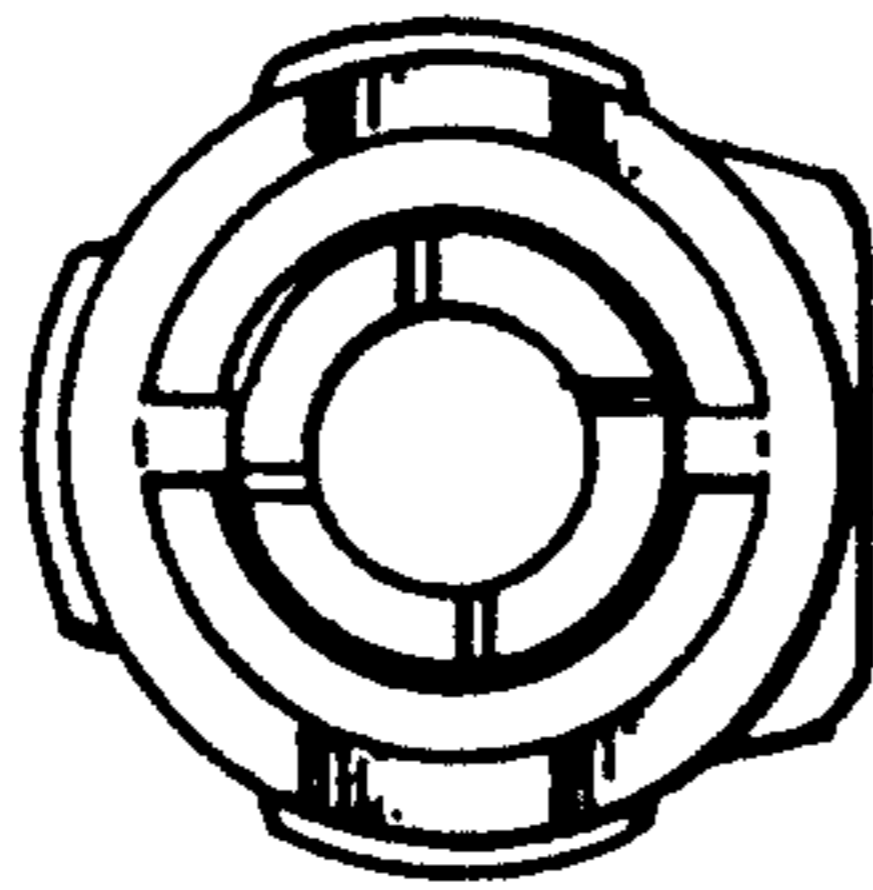


FIG. 4

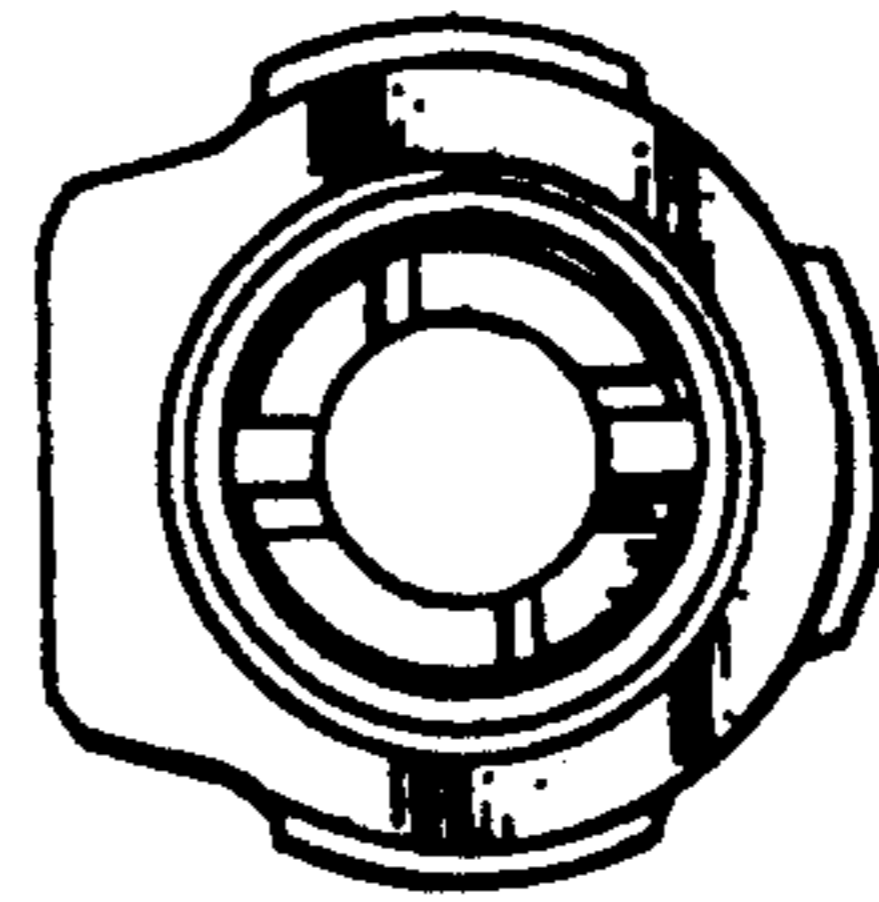


FIG. 5

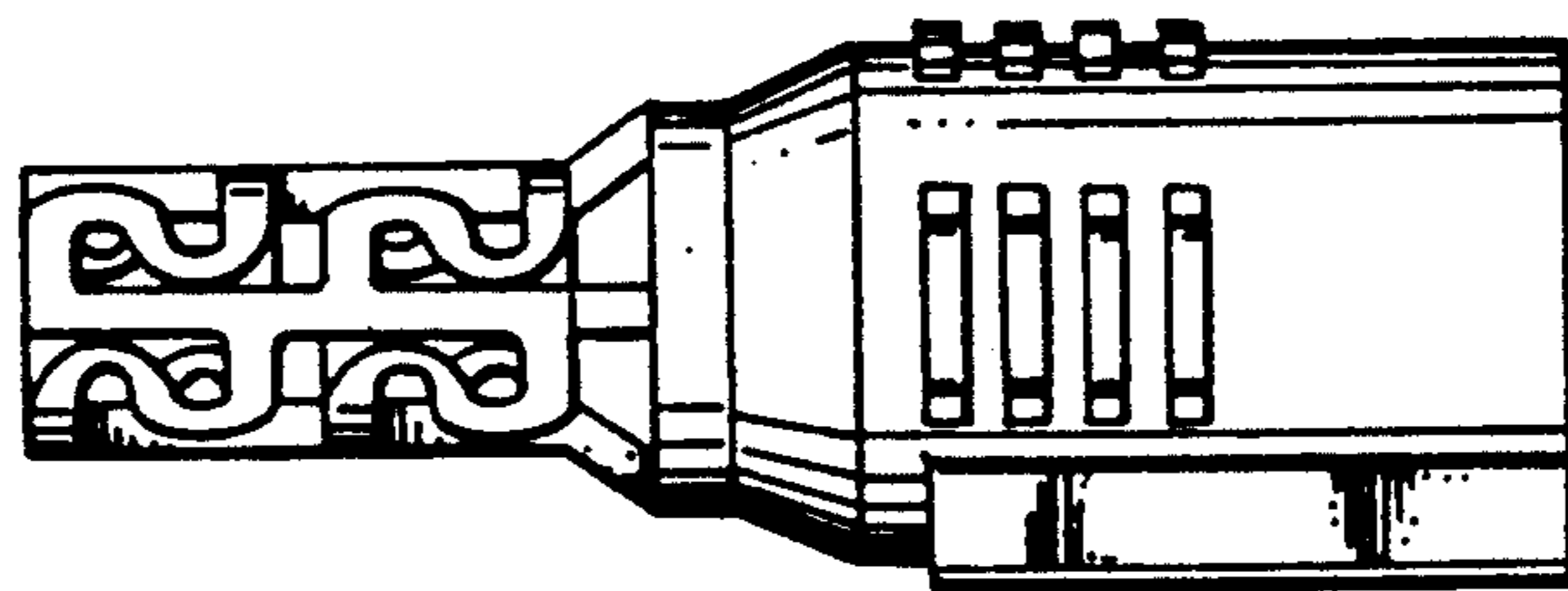


FIG. 6

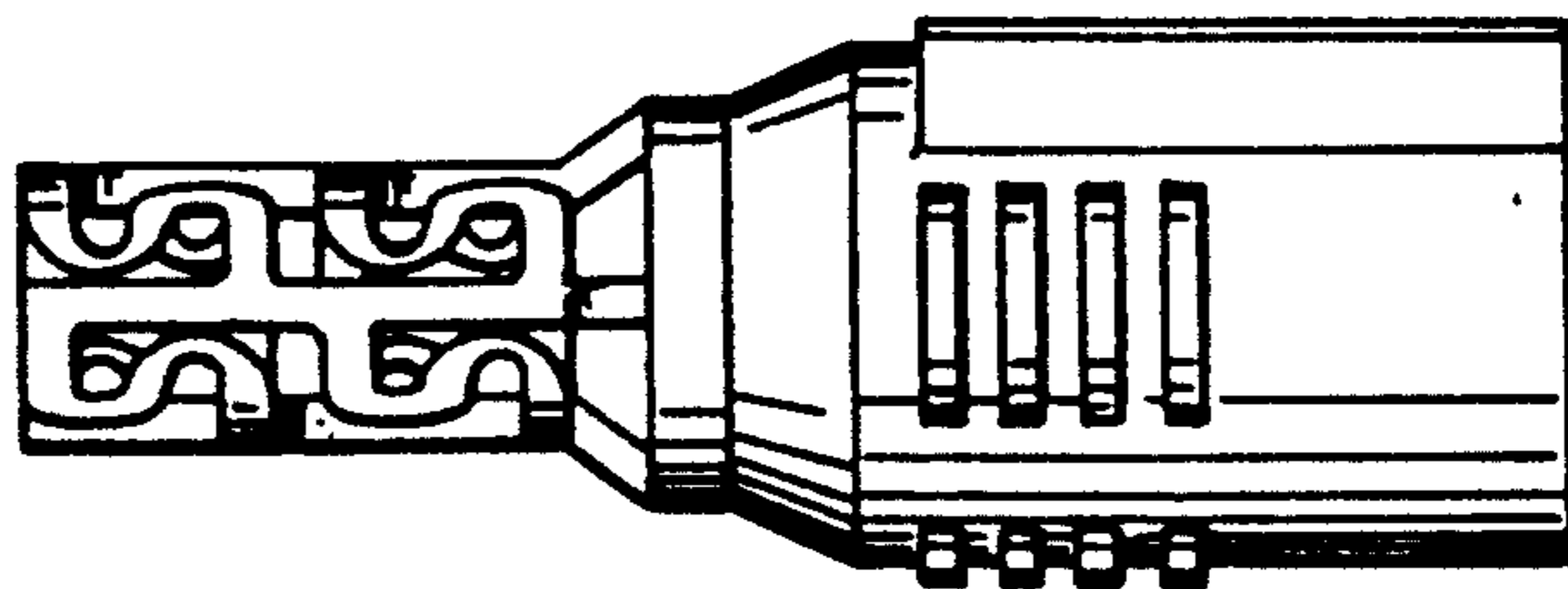


FIG. 7