



US00D334170S

United States Patent [19]

[11] Patent Number: **Des. 334,170**

Rams et al.

[45] Date of Patent: **** Mar. 23, 1993**

[54] **CHARGER UNIT FOR AN ELECTRIC SHAVER**

[75] Inventors: **Dieter Rams, Kronberg; Peter Eckart, Frankfurt**, both of Fed. Rep. of Germany

[73] Assignee: **Braun Aktiengesellschaft, Frankfurt**, Fed. Rep. of Germany

[**] Term: **14 Years**

[21] Appl. No.: **673,219**

[22] Filed: **Mar. 21, 1991**

[30] **Foreign Application Priority Data**

Sep. 28, 1990 [DE] Fed. Rep. of Germany 9006407

[52] U.S. Cl. **D13/108**

[58] Field of Search D13/107, 108; D14/240; 320/2, 3, 4, 5

[56] **References Cited**

U.S. PATENT DOCUMENTS

- D. 219,031 10/1970 Quinn D13/107
- D. 219,985 2/1971 Ray D13/108
- D. 289,996 5/1987 Oord et al. D13/108
- 3,609,501 9/1971 Ray et al. 320/2
- 4,670,701 6/1987 Sako et al. 320/2

FOREIGN PATENT DOCUMENTS

- DM/016587 1/1990 Hague .
- DM/106588 1/1990 Hague .
- 1059192 12/1989 United Kingdom .

OTHER PUBLICATIONS

Philips, Philishave 1939-1979 Historical Review, Jun., 1989.

Primary Examiner—Wallace R. Burke
Assistant Examiner—Joel Sincavage
Attorney, Agent, or Firm—Fish & Richardson

[57] **CLAIM**

The ornamental design for a charger unit for an electric shaver, as shown and described.

DESCRIPTION

FIG. 1 is a front and upper left perspective view of a charger unit for an electric shaver showing our new design;

FIG. 2 is a front elevational view thereof;

FIG. 3 is a rear elevational view thereof;

FIG. 4 is a right side elevational view thereof;

FIG. 5 is a left side elevational view thereof;

FIG. 6 is a top plan view thereof; and,

FIG. 7 is a bottom plan view thereof.

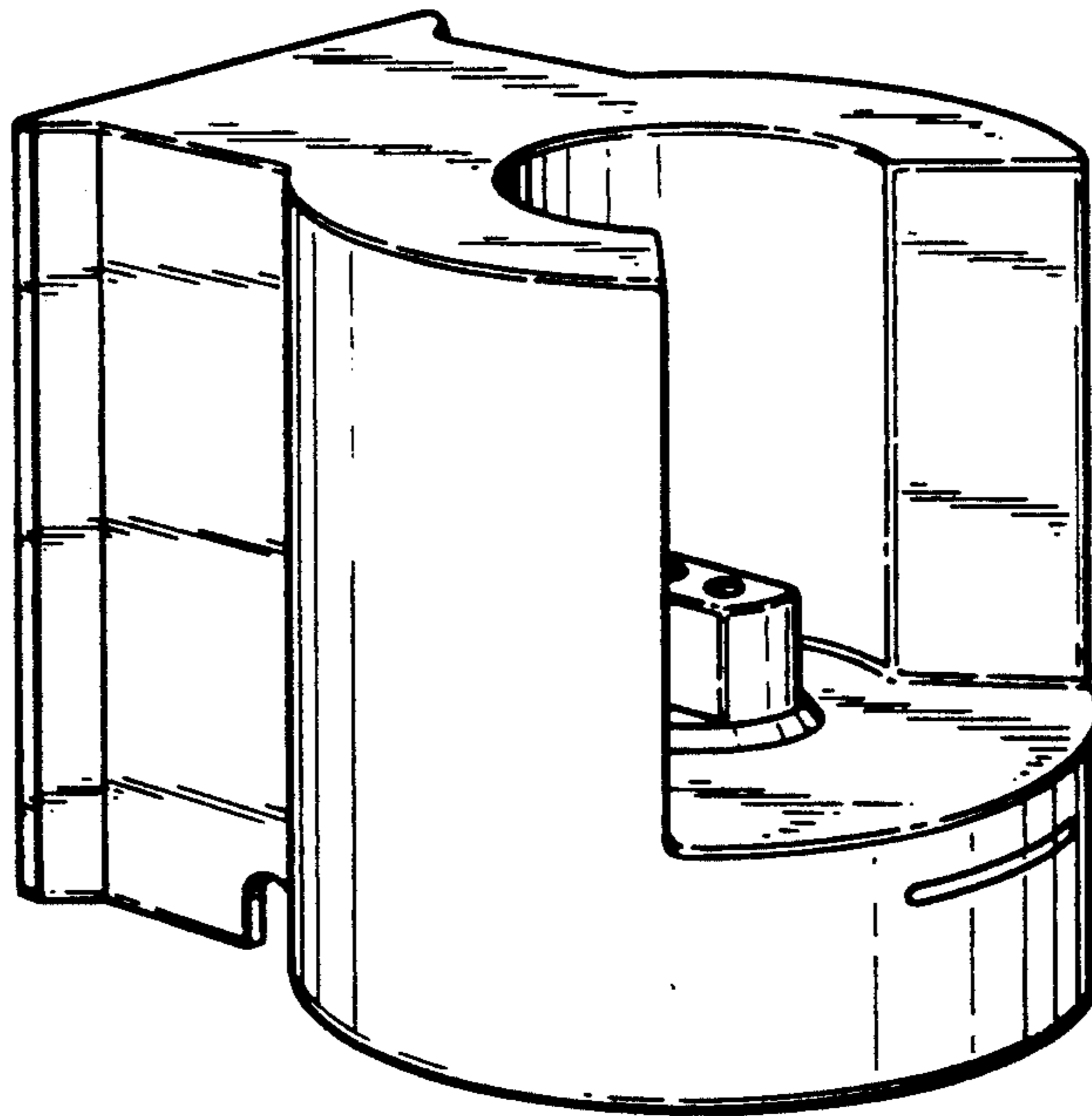


Fig. 1

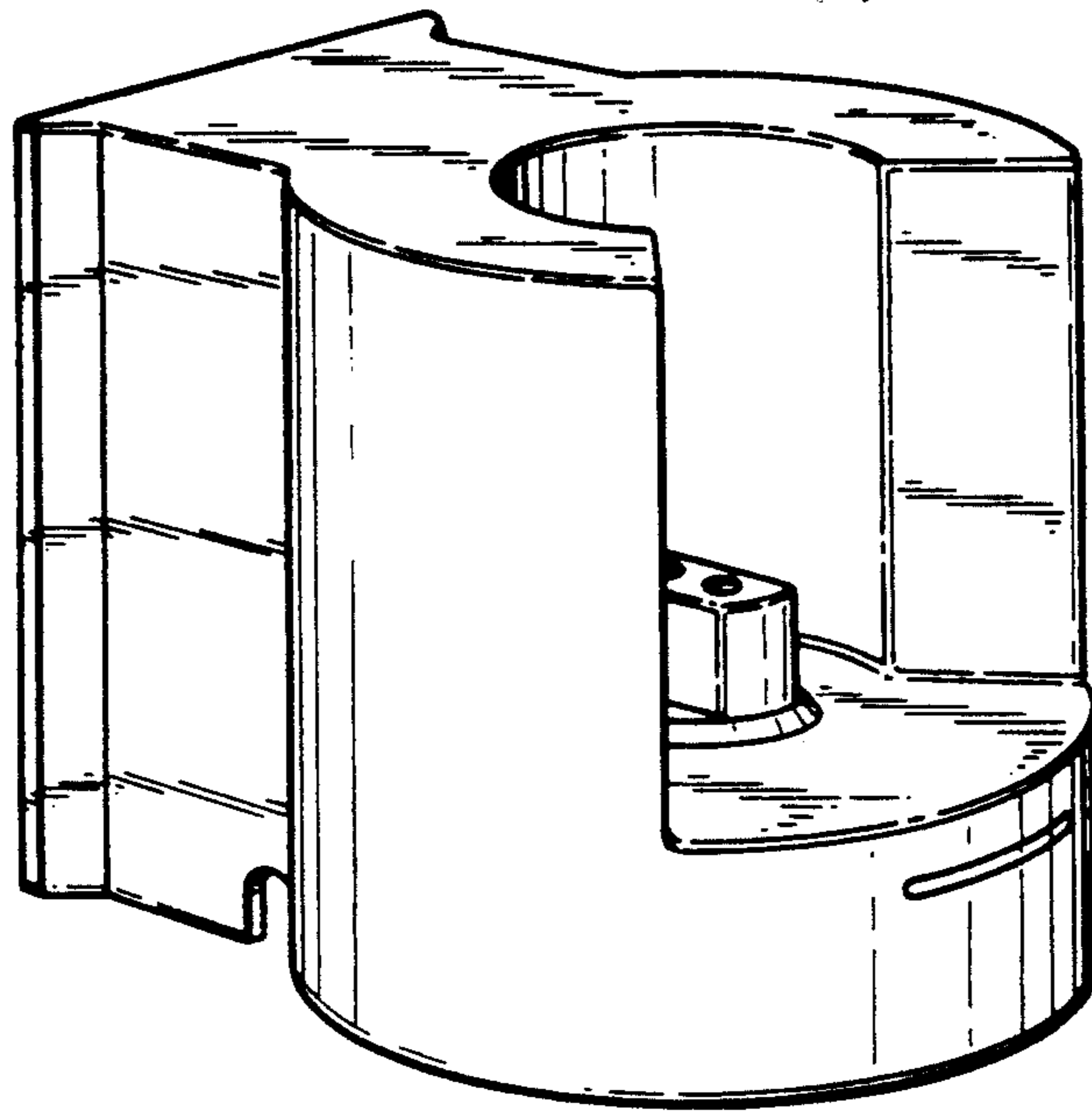


Fig. 2

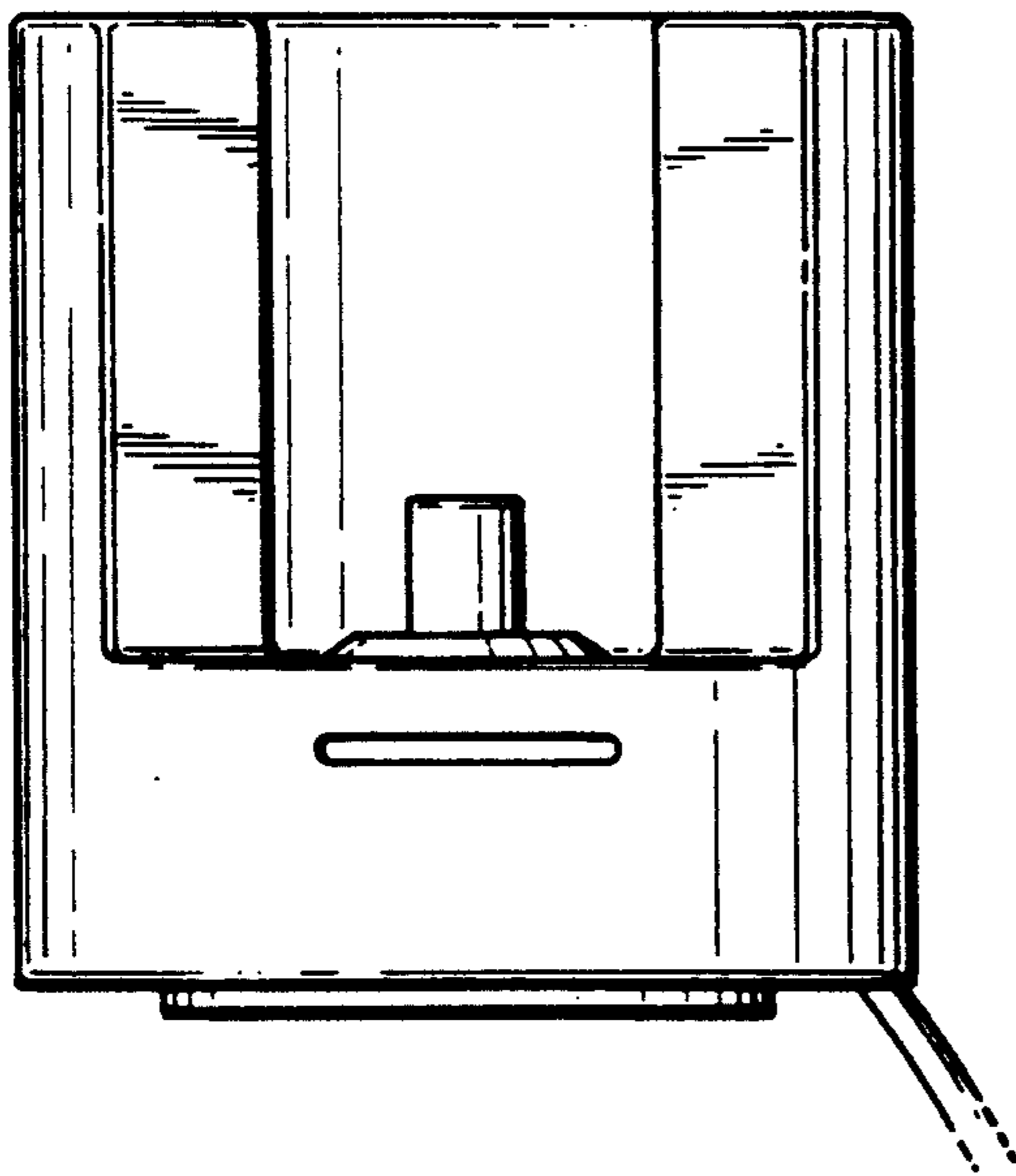


Fig. 3

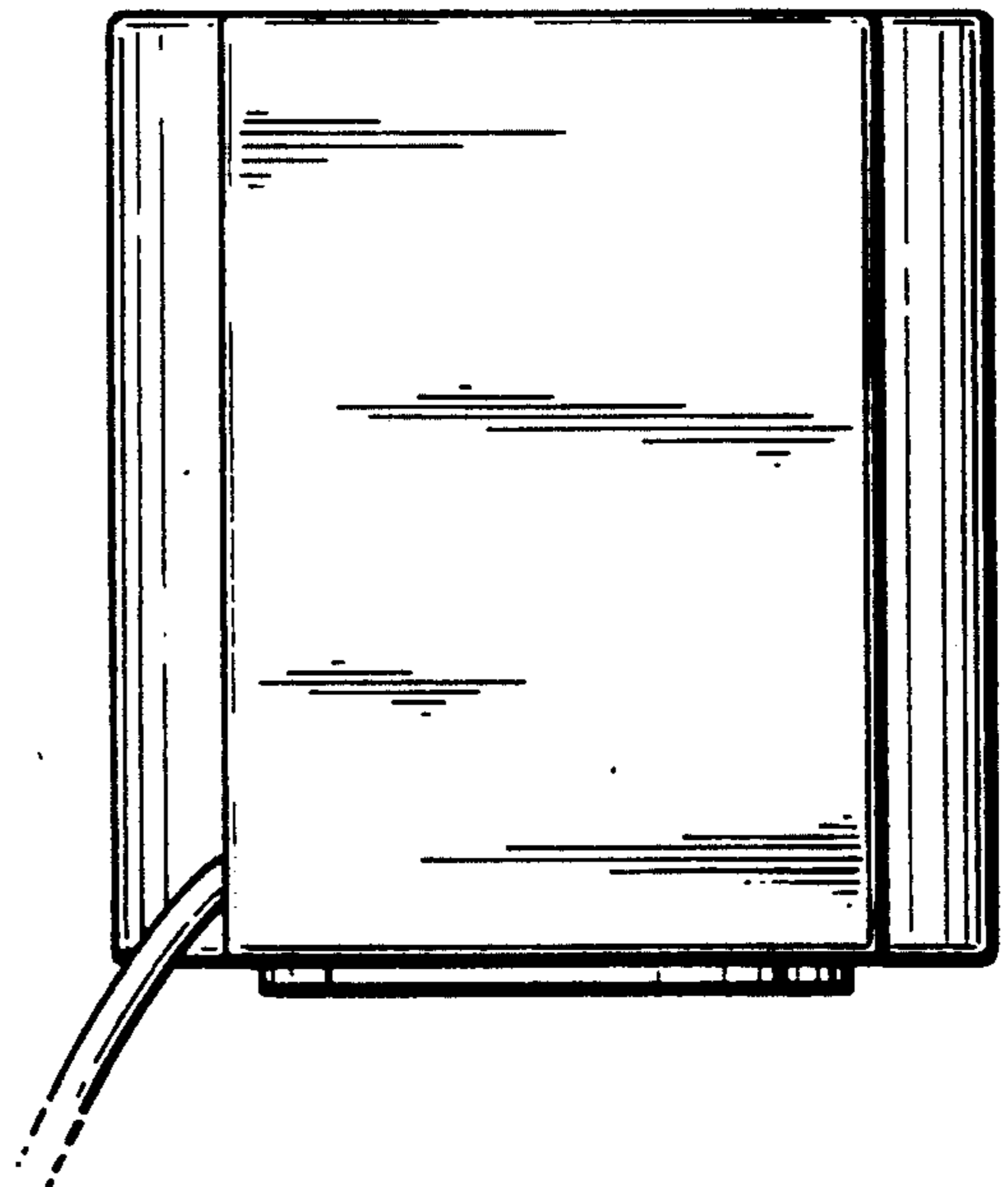


Fig. 6

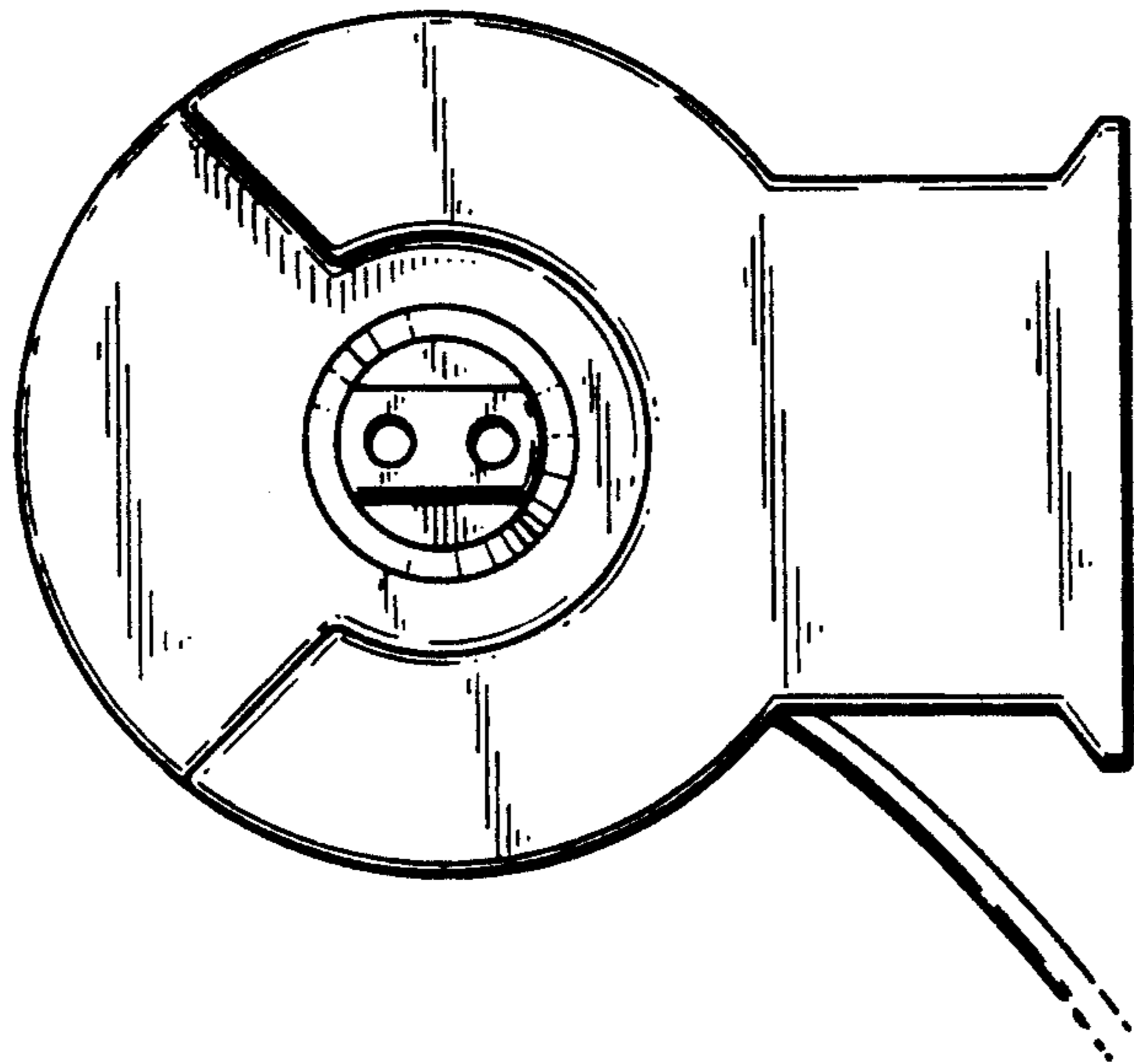


Fig. 4

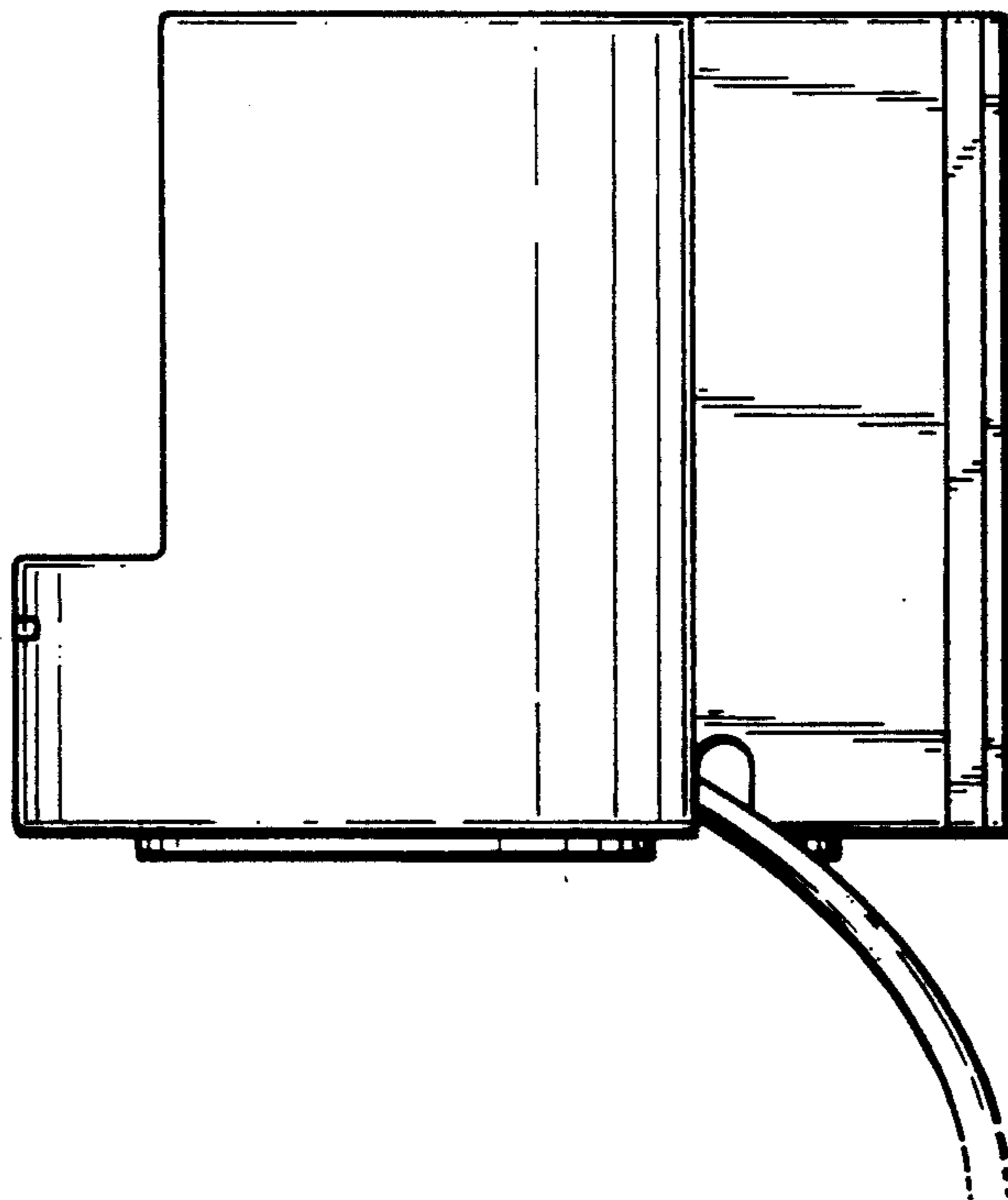


Fig. 5

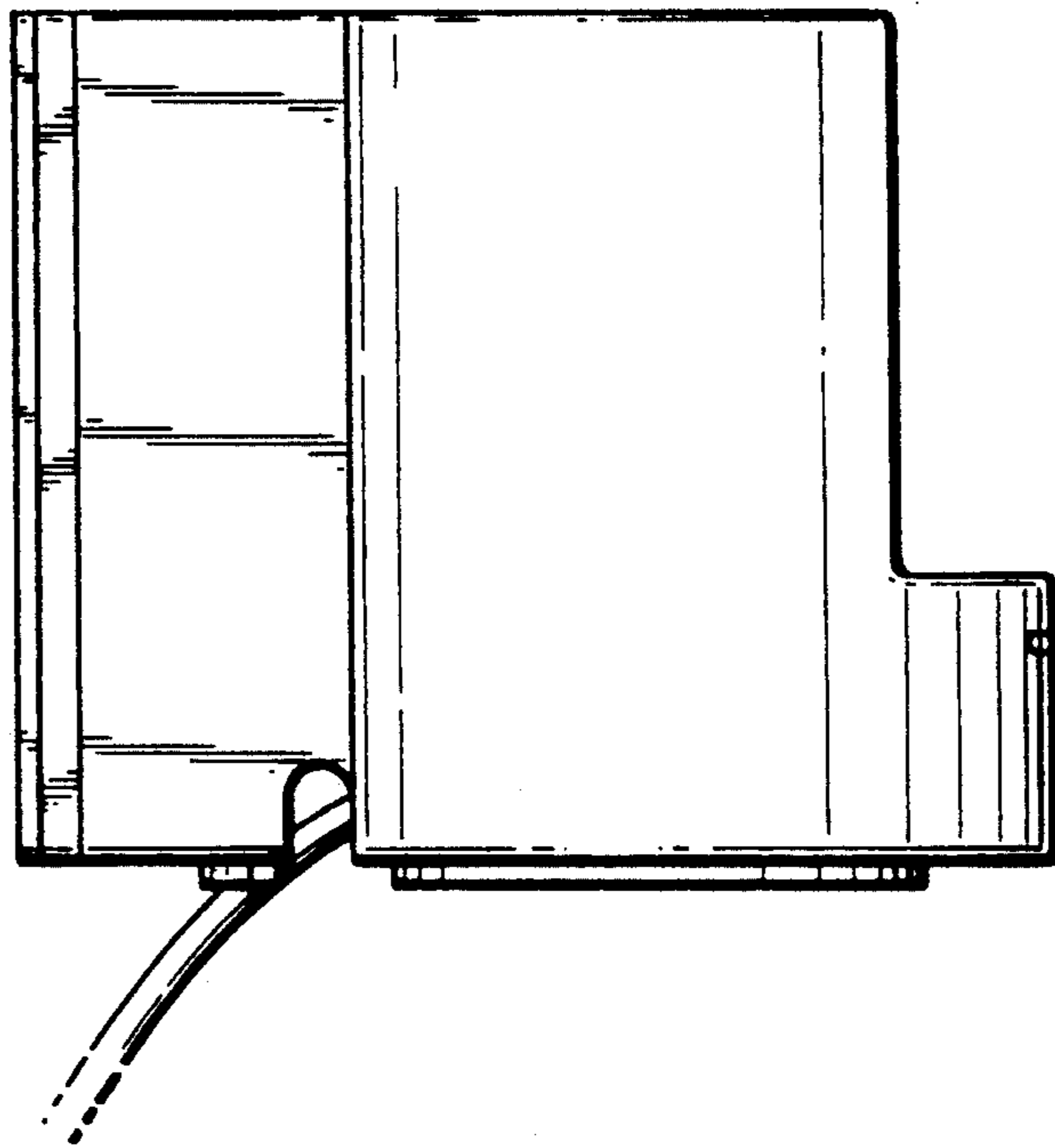


Fig. 7

