



US00D334165S

# United States Patent [19]

[11] Patent Number: **Des. 334,165**

**Carter, Jr.**

[45] Date of Patent: **\*\* Mar. 23, 1993**

[54] **SELF-CLEARING SIDE VIEW MIRROR**

3147945 9/1982 Fed. Rep. of Germany ..... 359/868  
2265581 10/1975 France .  
1020576 2/1966 United Kingdom .

[76] Inventor: **John C. Carter, Jr.**, 8285 Hidden Pines Rd., Ft. Pierce, Fla. 34945

[\*\*] Term: **14 Years**

### OTHER PUBLICATIONS

J. C. Whitney Catalog No. 4825, ©1987, p. 129, Sports Car Wide Oval Mirror, Bottom Left Side of Page.

[21] Appl. No.: **741,157**

*Primary Examiner*—James M. Gandy  
*Attorney, Agent, or Firm*—Terry M. Gernstein

[22] Filed: **Aug. 7, 1991**

[52] U.S. Cl. .... **D12/187**

[58] Field of Search ..... **D12/187; 359/838, 841, 359/842, 844, 850, 854, 855, 865, 866, 868, 871, 872, 873, 875, 879, 880, 881**

### [57] CLAIM

The ornamental design for a self-clearing side view mirror, as shown and described.

### [56] References Cited

#### U.S. PATENT DOCUMENTS

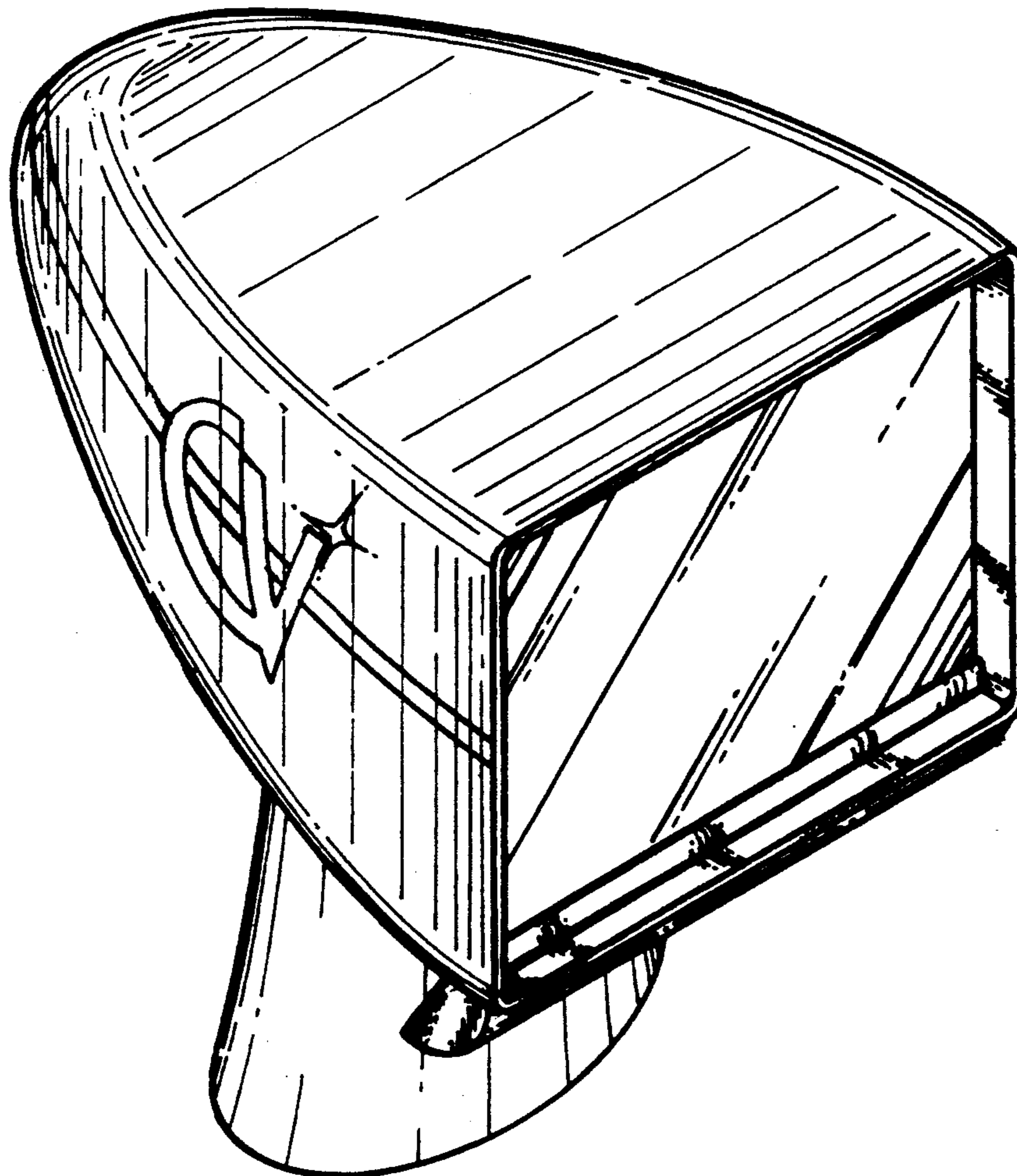
D. 203,497	1/1966	Vitaloni et al. ....	D12/187
D. 282,458	2/1986	Whittington .....	D12/187
D. 282,535	2/1986	Whittington .....	D12/187
D. 294,139	2/1988	Kretschmer .....	D12/187
D. 310,505	9/1990	Unno .....	D12/187
D. 316,841	5/1991	Neff .....	D12/187

#### FOREIGN PATENT DOCUMENTS

2259393 6/1974 Fed. Rep. of Germany ..... 359/842

### DESCRIPTION

FIG. 1 is a perspective view of the self-clearing side view mirror embodying the design of the present invention;  
FIG. 2 is a side elevational view thereof, the side opposite being a mirror image of the side shown in FIG. 2;  
FIG. 3 is a rear elevational view thereof;  
FIG. 4 is a front elevational view thereof;  
FIG. 5 is a top plan view thereof; and,  
FIG. 6 is a bottom view thereof.



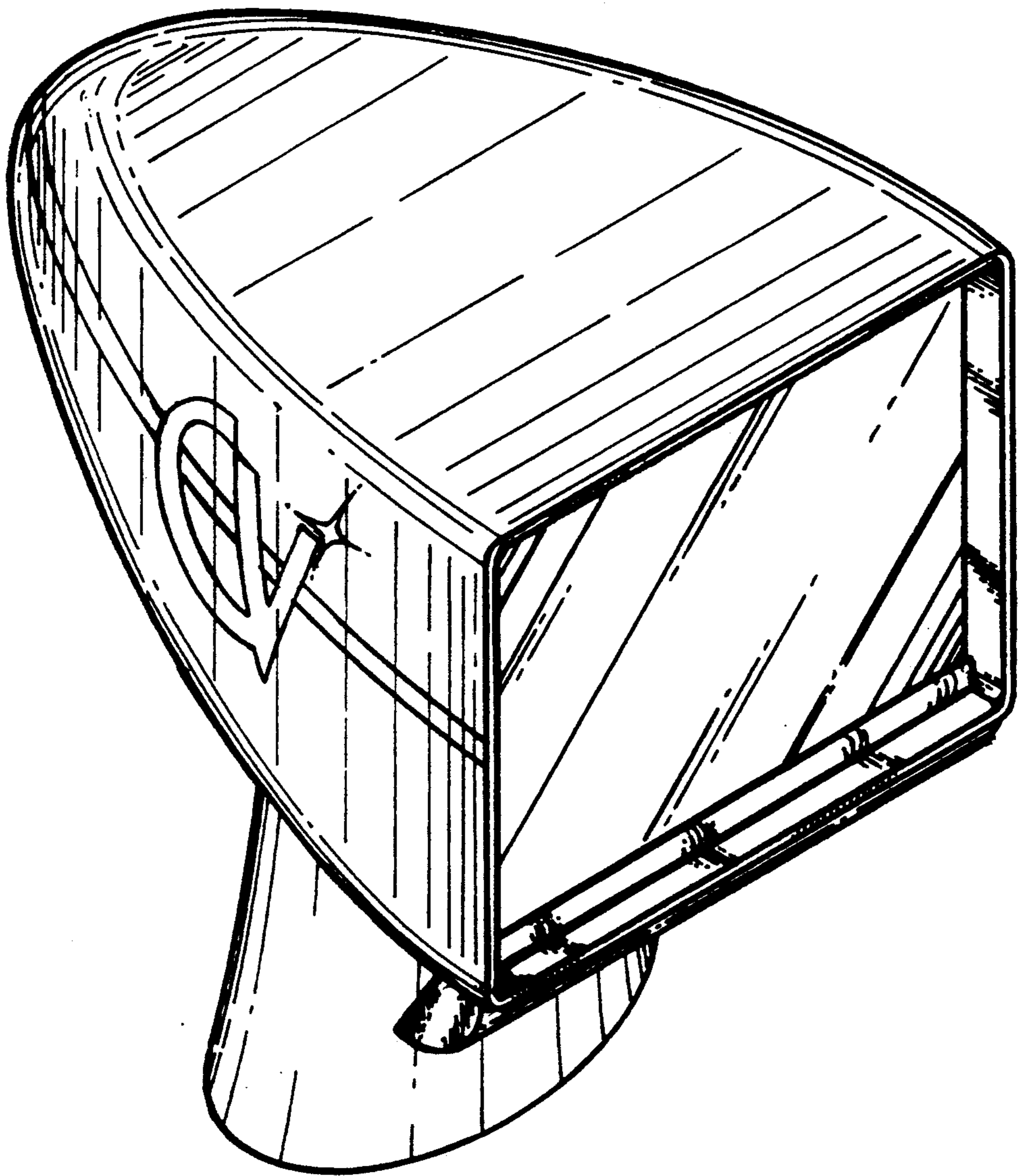


FIG. 1

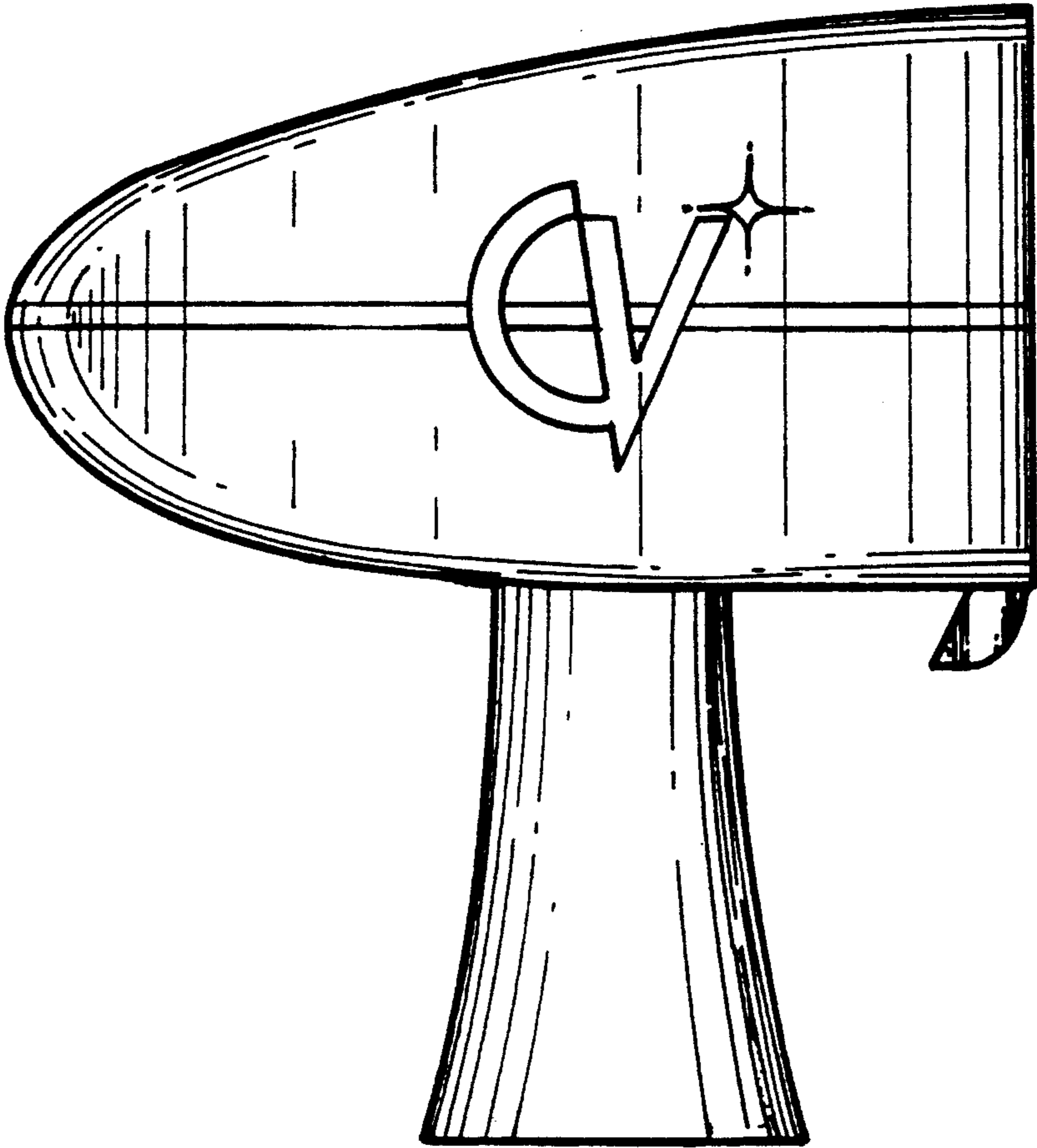


FIG. 2

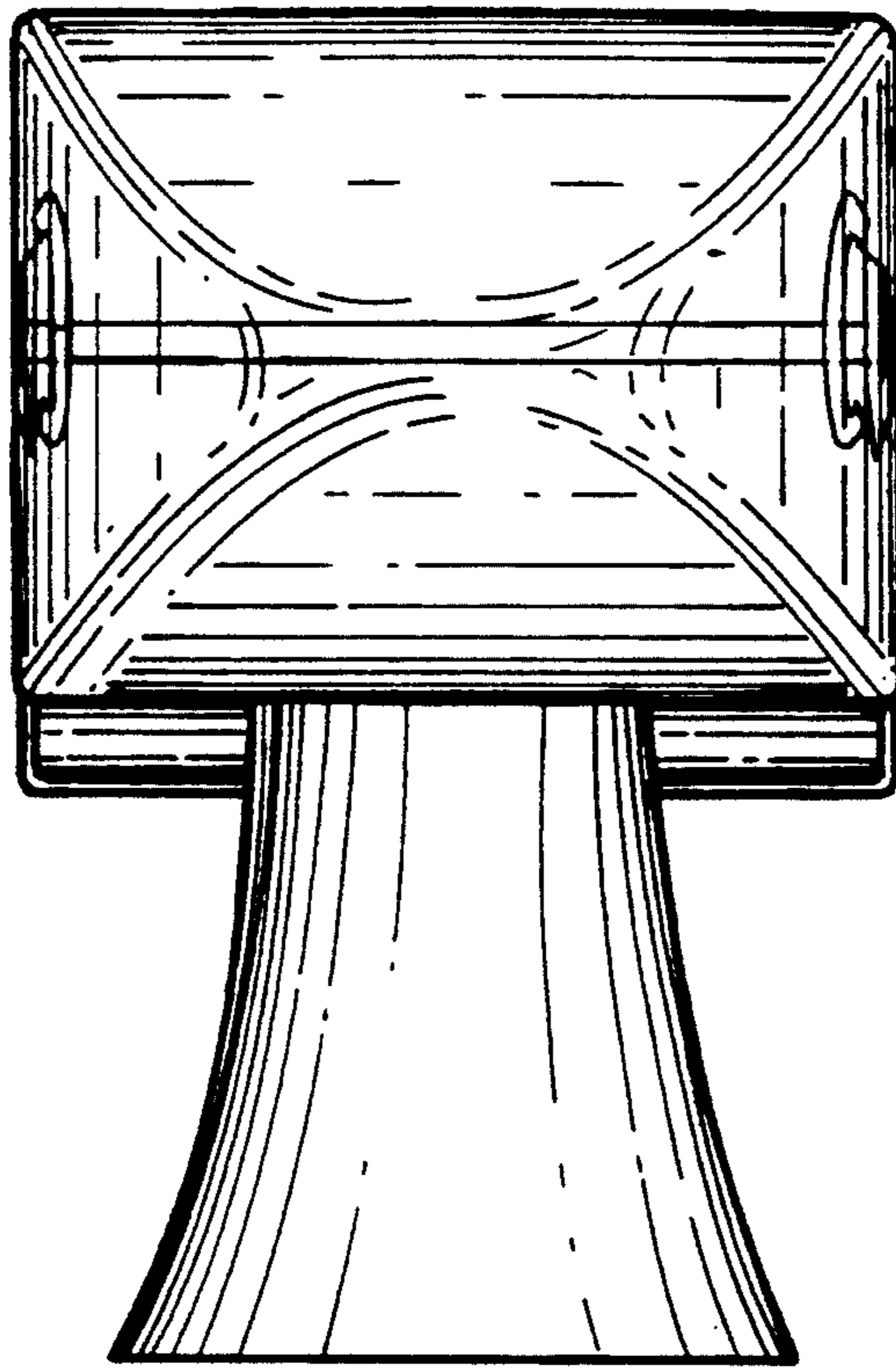


FIG. 3

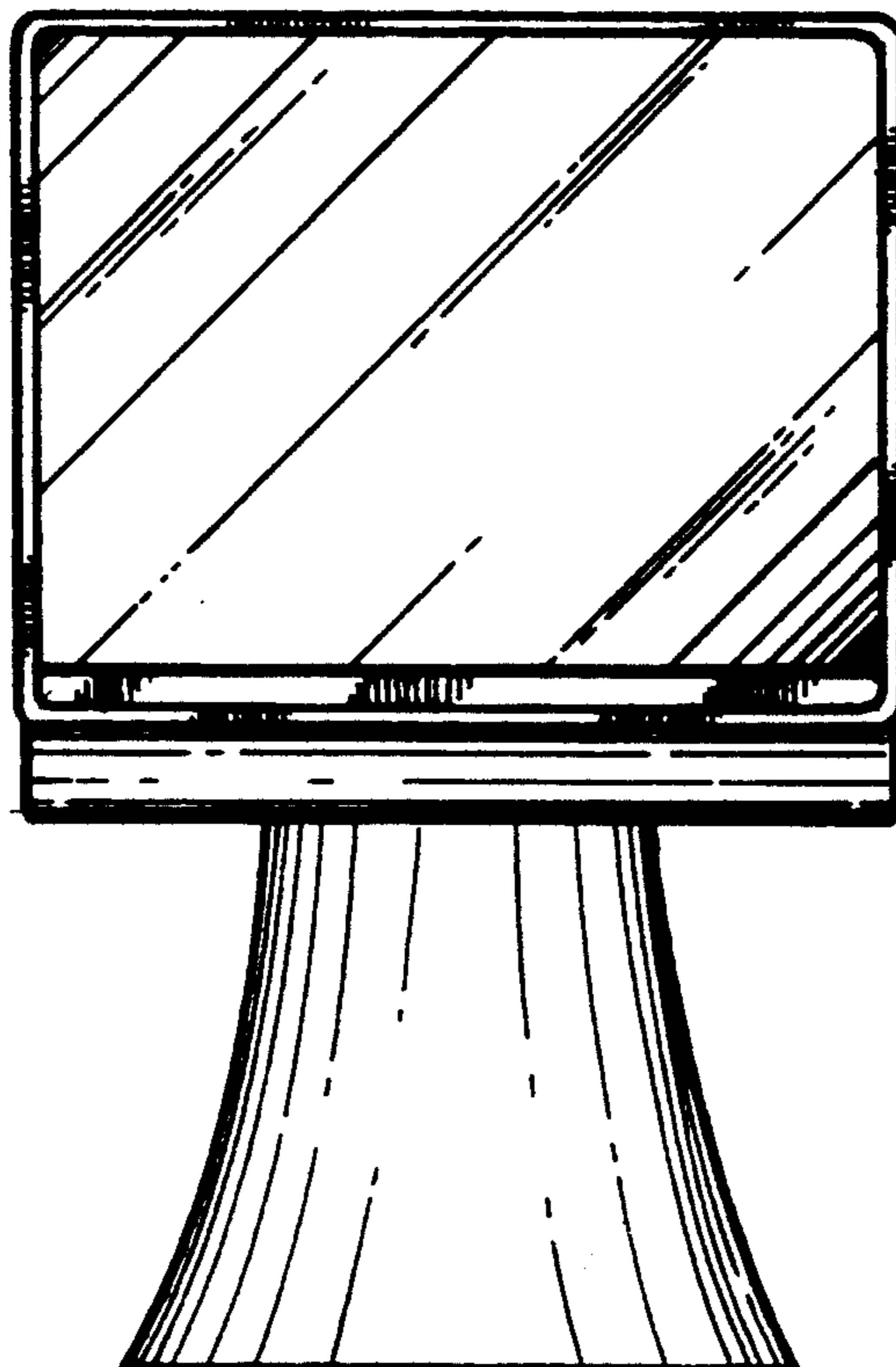


FIG. 4

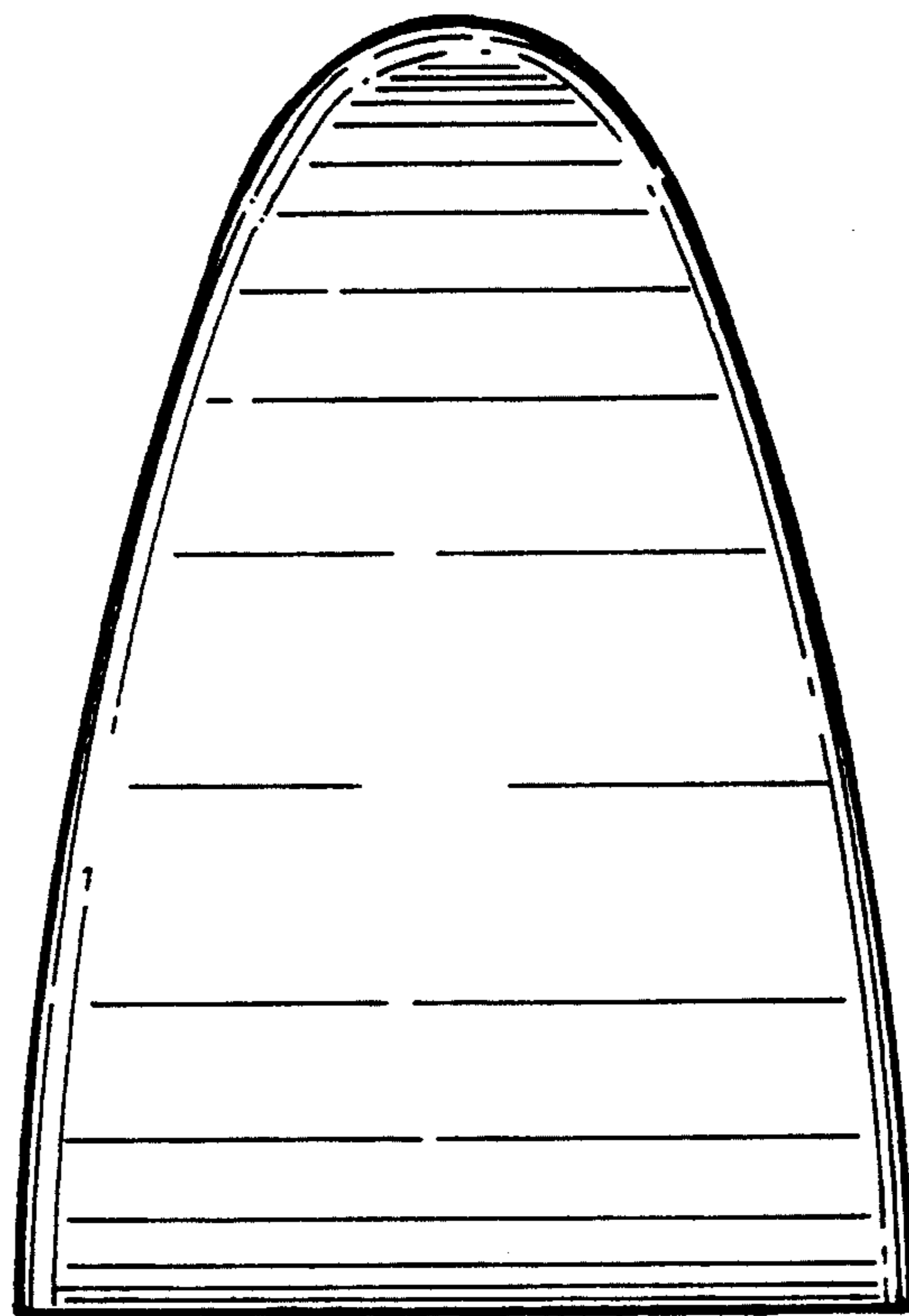


FIG. 5

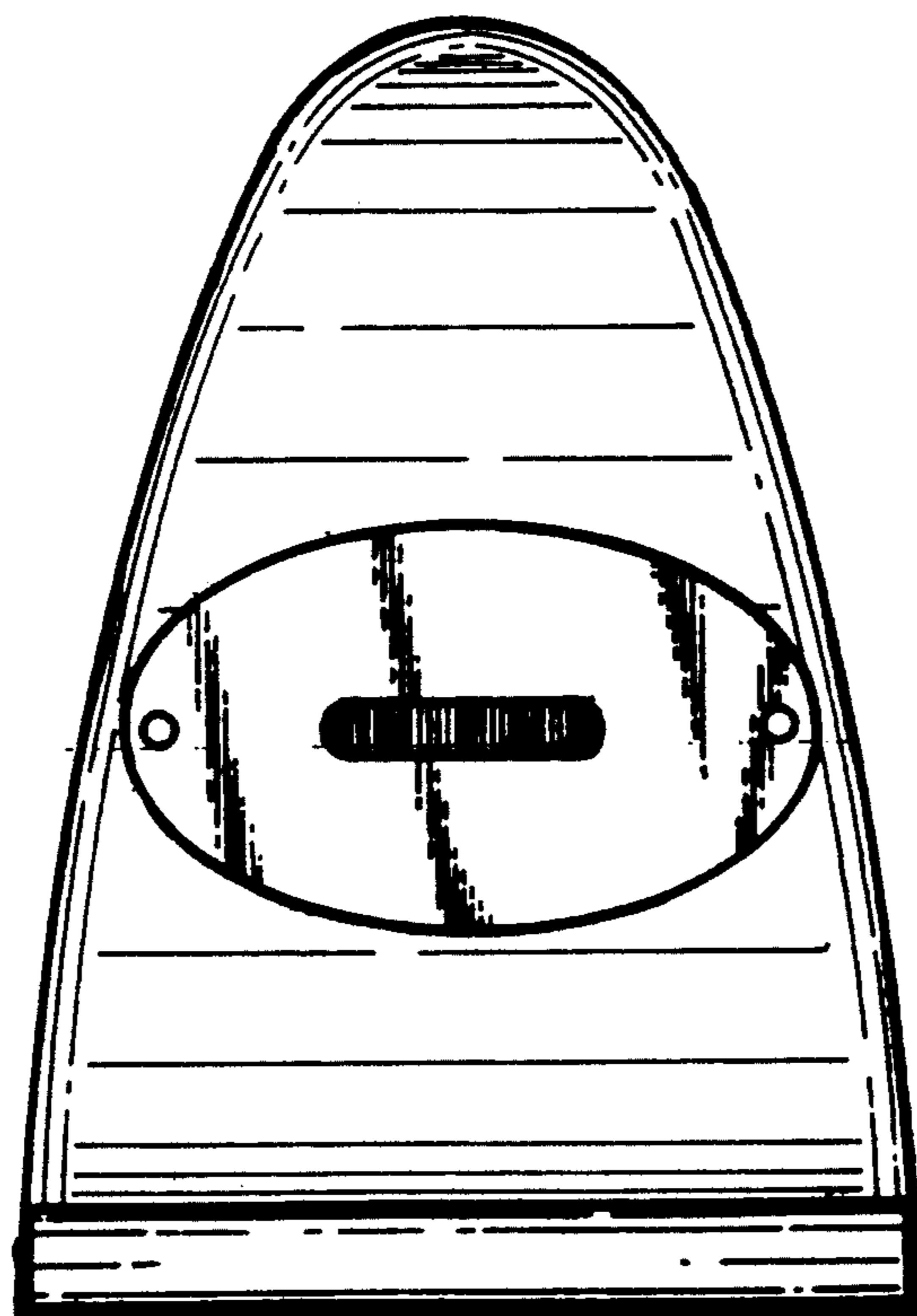


FIG. 6