



US00D334163S

United States Patent [19]
McVey

[11] **Patent Number: Des. 334,163**
[45] **Date of Patent: ** Mar. 23, 1993**

[54] **MOTORCYCLE TOWING HITCH**
[76] **Inventor: Scot C. McVey, R.R. 2 Box 116, Herrin, Ill. 62948**
[**] **Term: 14 Years**
[21] **Appl. No.: 598,326**
[22] **Filed: Oct. 16, 1990**
[52] **U.S. Cl. D12/162**
[58] **Field of Search D12/162; 280/477, 507, 280/511, 500; 248/300, 291; D8/380, 381**

4,208,065 6/1980 Hansen 280/507
4,421,333 12/1983 Van Dyke 248/291
4,929,028 5/1990 Underwood 280/500
4,949,929 8/1990 Resselman et al. 248/300
5,026,028 6/1991 Ooi et al. 248/291
5,035,565 7/1991 White 414/537

Primary Examiner—Wallace R. Burke
Assistant Examiner—Melody Brown
Attorney, Agent, or Firm—Terry M. Gernstein

[56] **References Cited**

U.S. PATENT DOCUMENTS

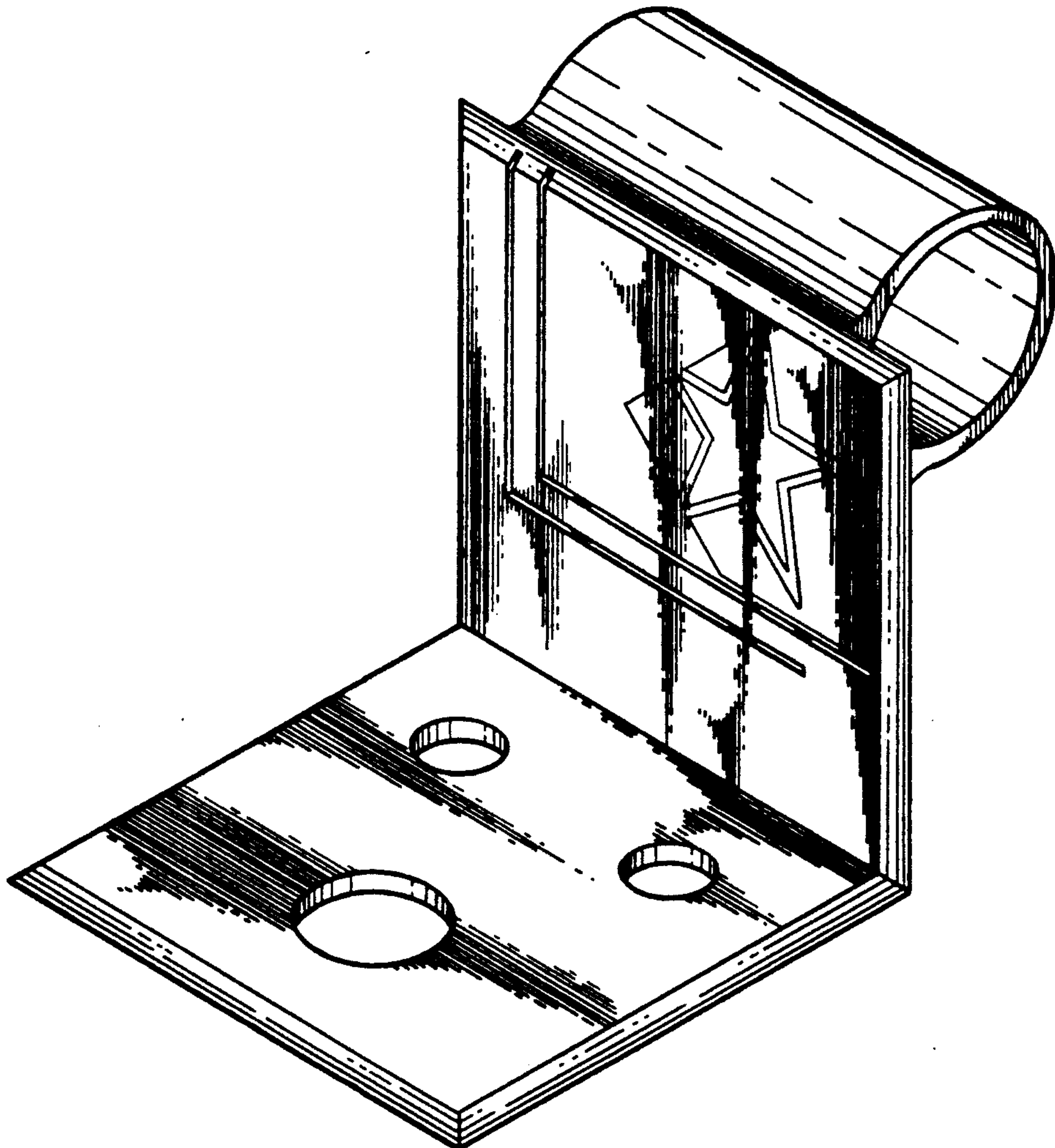
30,278 2/1899 Nygaard D8/380
D. 266,238 9/1982 Miller D12/162
D. 290,223 6/1987 Westerheim D8/380
D. 291,655 9/1987 Motta D8/381
D. 294,680 3/1988 Pappert D9/435
D. 311,859 11/1990 Bohringer D8/380
3,713,672 1/1973 Robbins 280/292
3,764,163 10/1973 Ortman 280/292
3,776,572 12/1973 Bane 280/292

[57] **CLAIM**

The ornamental design for the motorcycle towing hitch, as shown and described.

DESCRIPTION

FIG. 1 is a perspective view of a motorcycle towing hitch showing my new design;
FIG. 2 is a front elevational view thereof;
FIG. 3 is a rear elevational view thereof;
FIG. 4 is a side elevational view thereof, the side opposite being a mirror image of the side shown in FIG. 4;
FIG. 5 is a top plan view thereof; and,
FIG. 6 is a bottom plan view thereof.



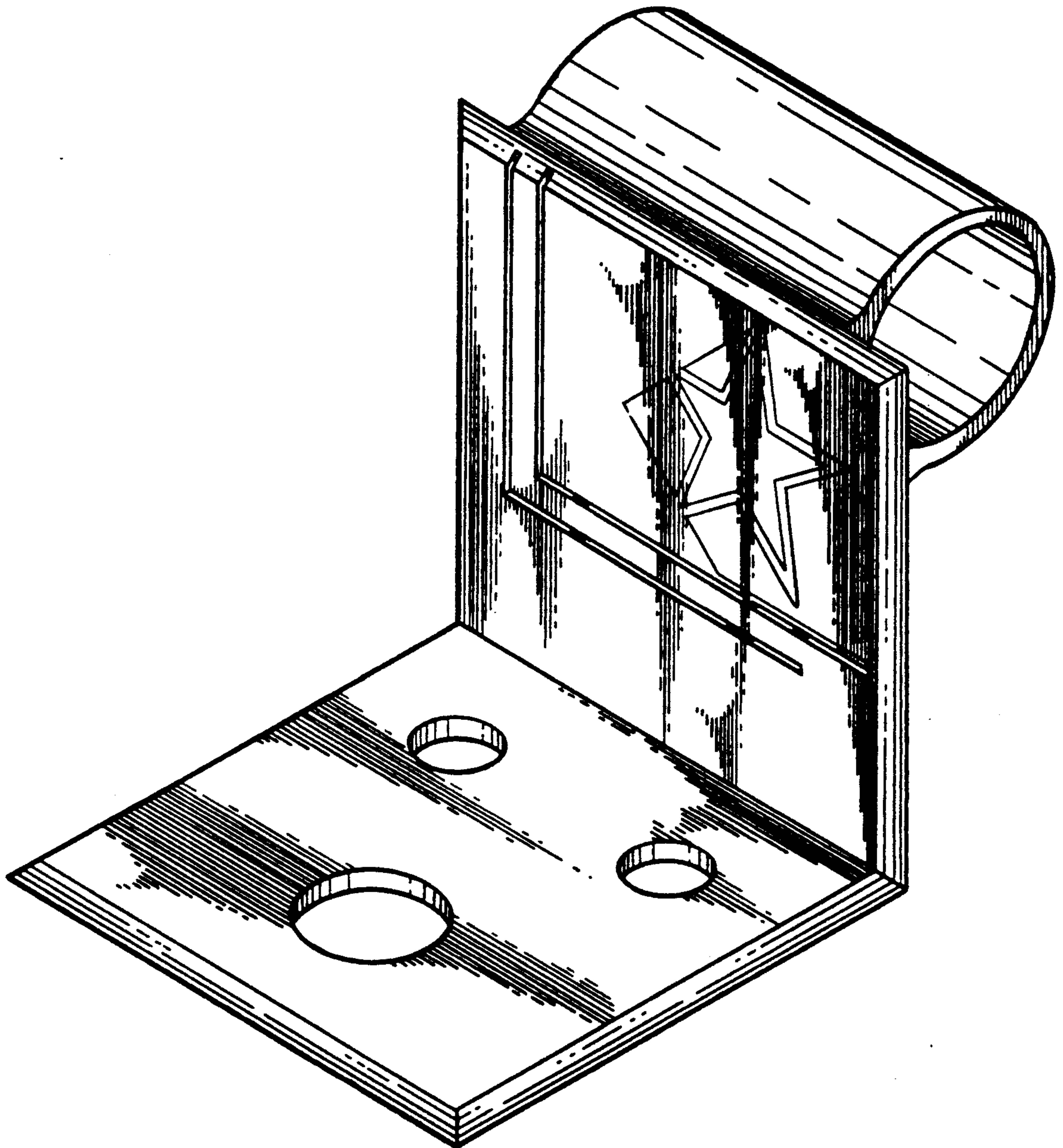


FIG. 1

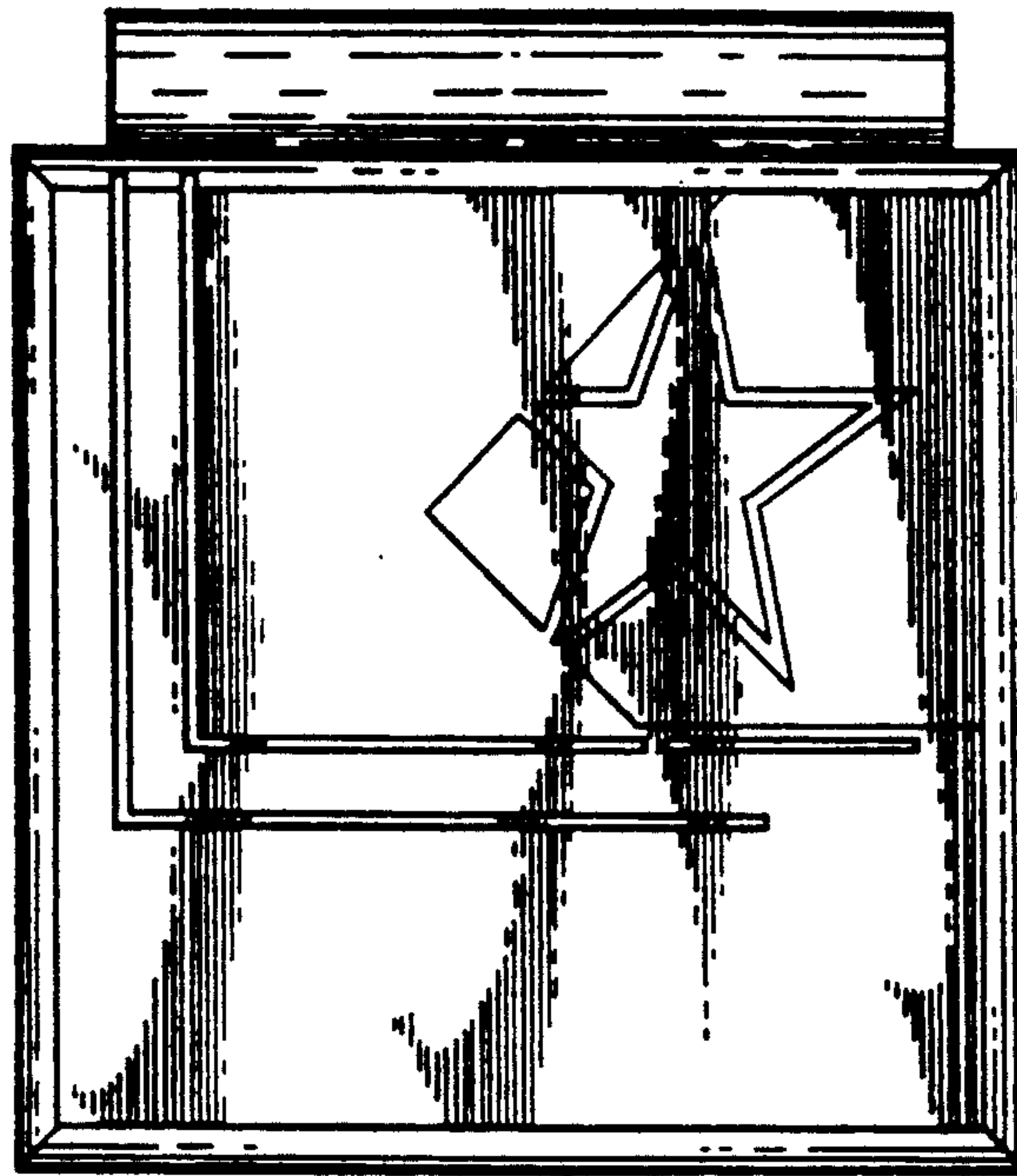


FIG. 2

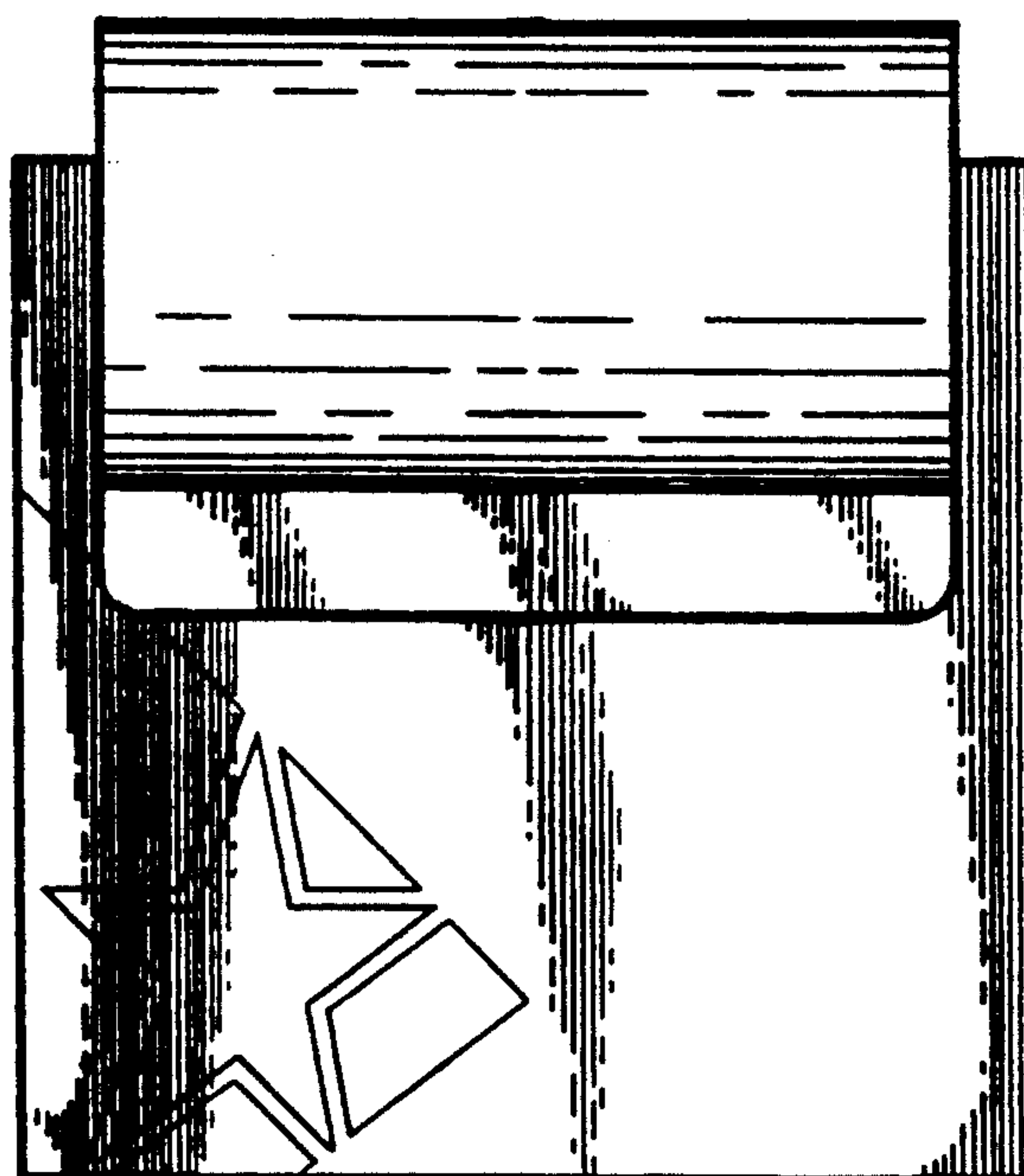


FIG. 3

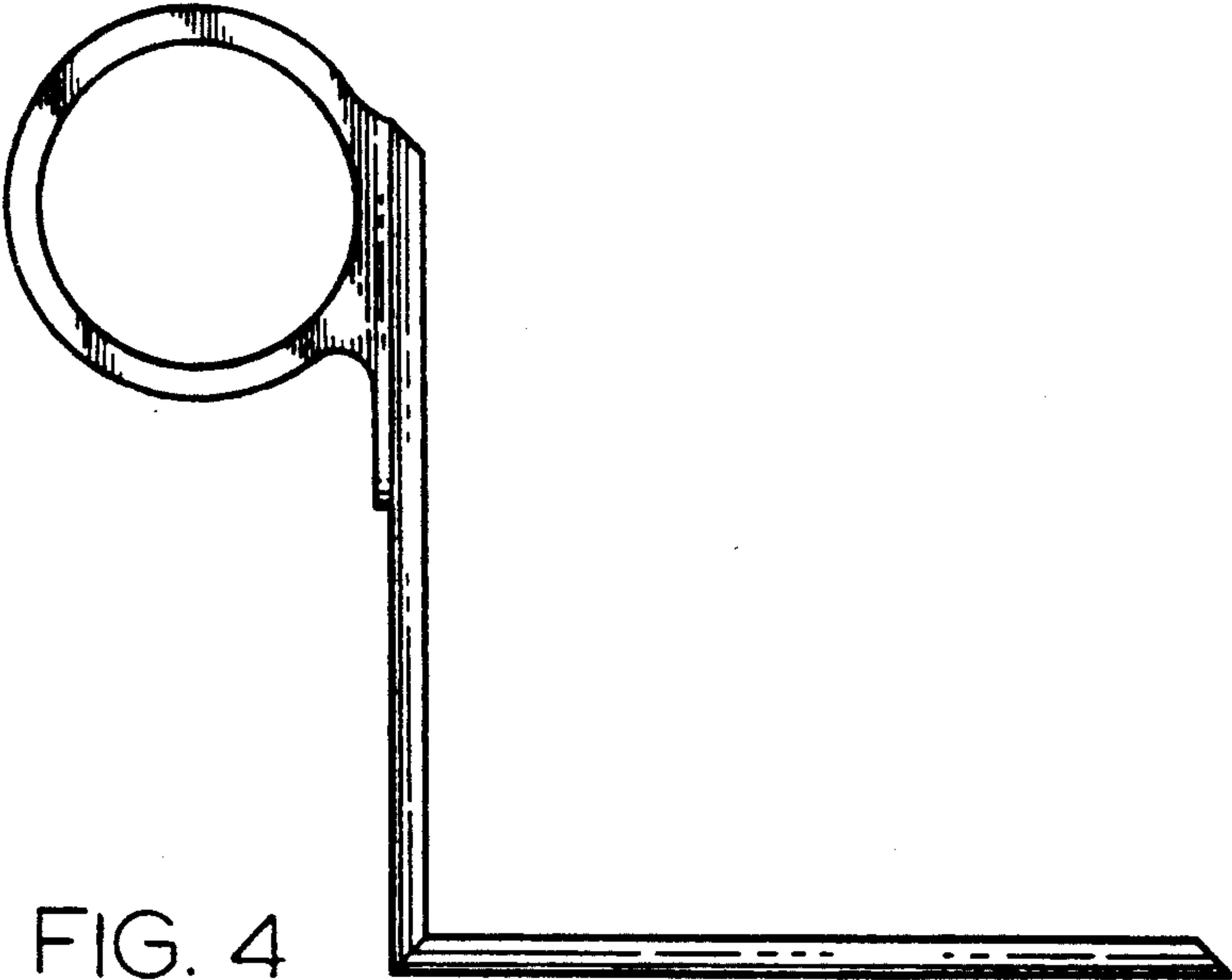


FIG. 4

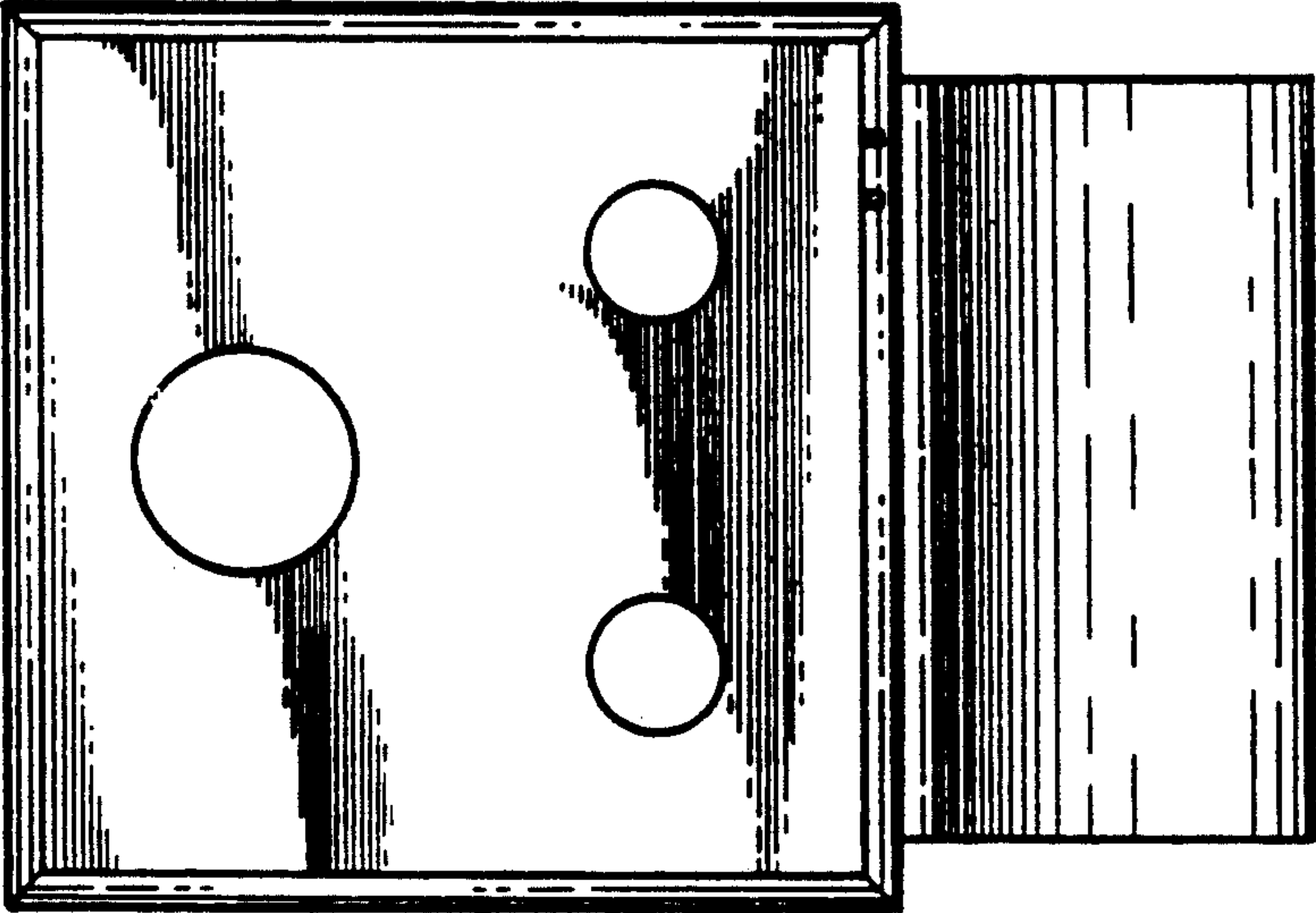


FIG. 5

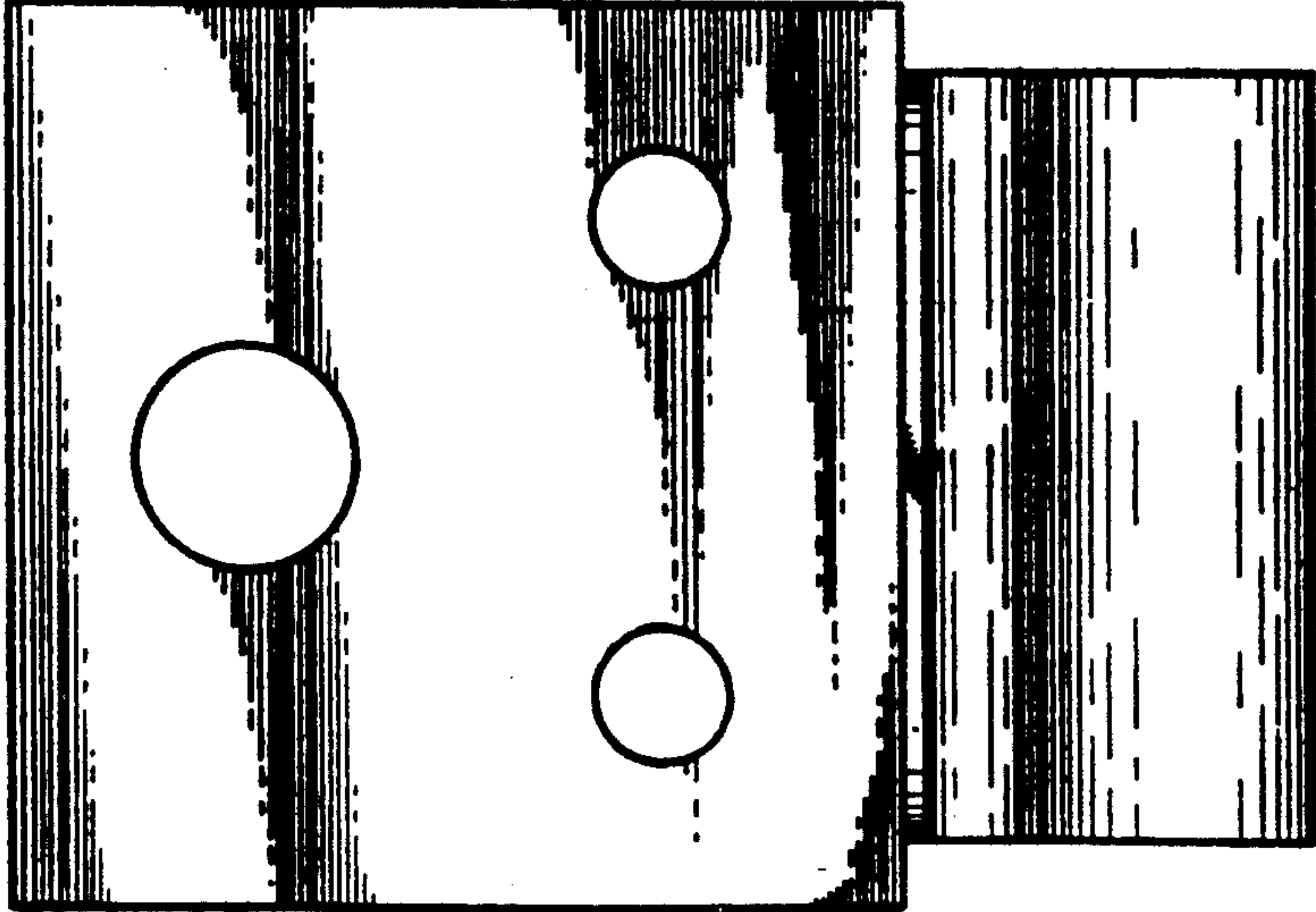


FIG. 6