



US00D334159S

United States Patent [19]
Mulligan

[11] **Patent Number: Des. 334,159**
[45] **Date of Patent: ** Mar. 23, 1993**

[54] **SEAT CUSHION**
[76] **Inventor: Gail Mulligan, 1008 Montecito, Milton, Fla. 32583**
[**] **Term: 14 Years**
[21] **Appl. No.: 723,541**
[22] **Filed: Jul. 1, 1991**

4,673,216 6/1987 Alfer 5/653
4,824,174 4/1989 Dunn, Sr. 5/653
4,912,788 4/1990 Lonardo 5/464
5,018,790 5/1991 Jay 5/653

Primary Examiner—Kay H. Chin
Attorney, Agent, or Firm—George A. Bode

[57] **CLAIM**

The ornamental design for a seat cushion, as shown and described.

Related U.S. Application Data

[63] Continuation-in-part of Ser. No. 663,633, Mar. 1, 1991.
[52] **U.S. Cl. D12/133; 5/653**
[58] **Field of Search D12/133, 128, 131, 132; 297/459, 458; D6/601; 5/653, 654**

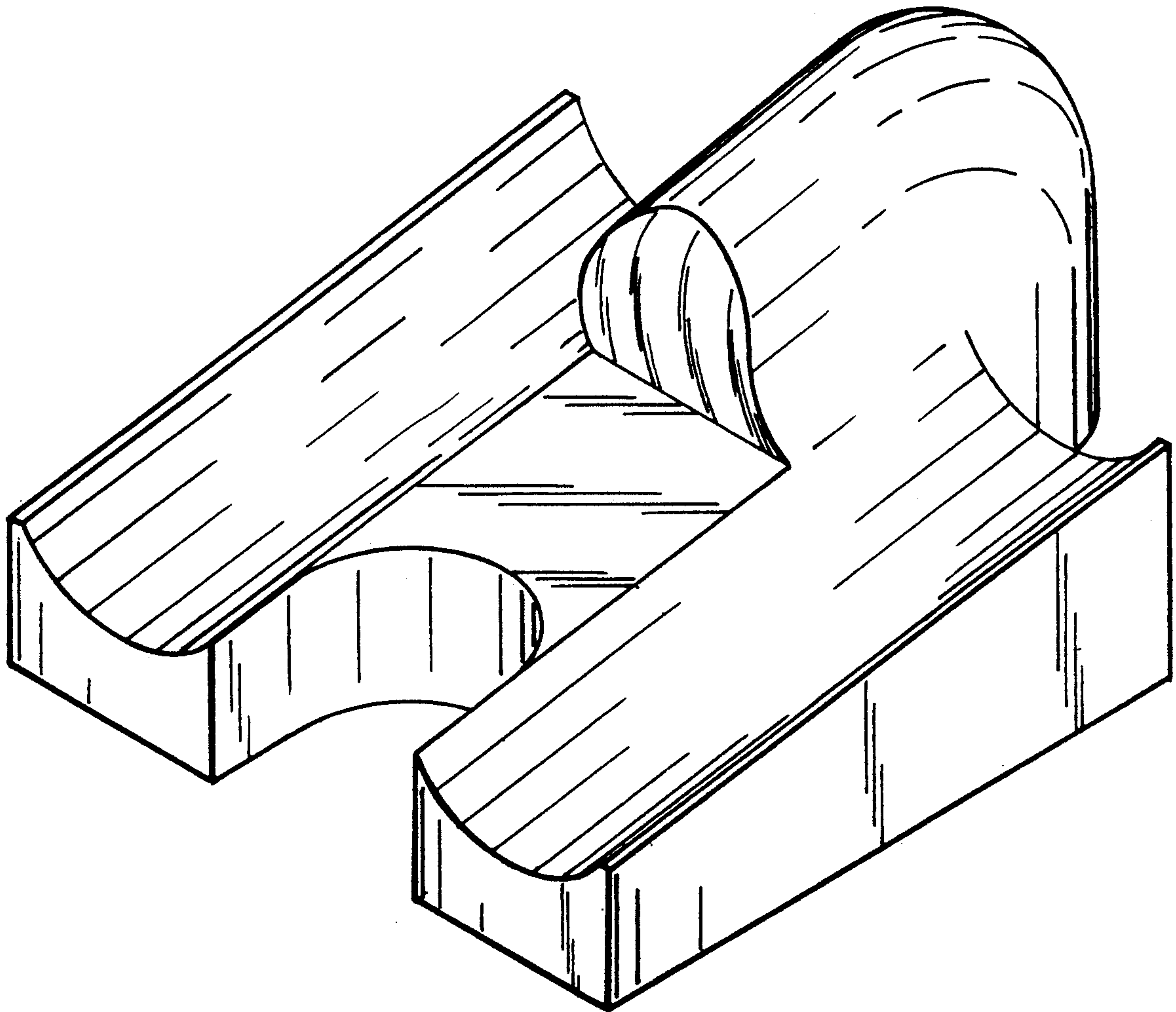
DESCRIPTION

FIG. 1 is a top rear perspective elevational view of a seat cushion showing my new design;
FIG. 2 is a top plan view thereof;
FIG. 3 is a side elevational view thereof, the side opposite being a mirror of that shown;
FIG. 4 is a bottom plan view thereof;
FIG. 5 is a rear elevational view thereof; and,
FIG. 6 is a front elevational view thereof.

[56] **References Cited**

U.S. PATENT DOCUMENTS

3,376,070 4/1968 Johnson 297/459



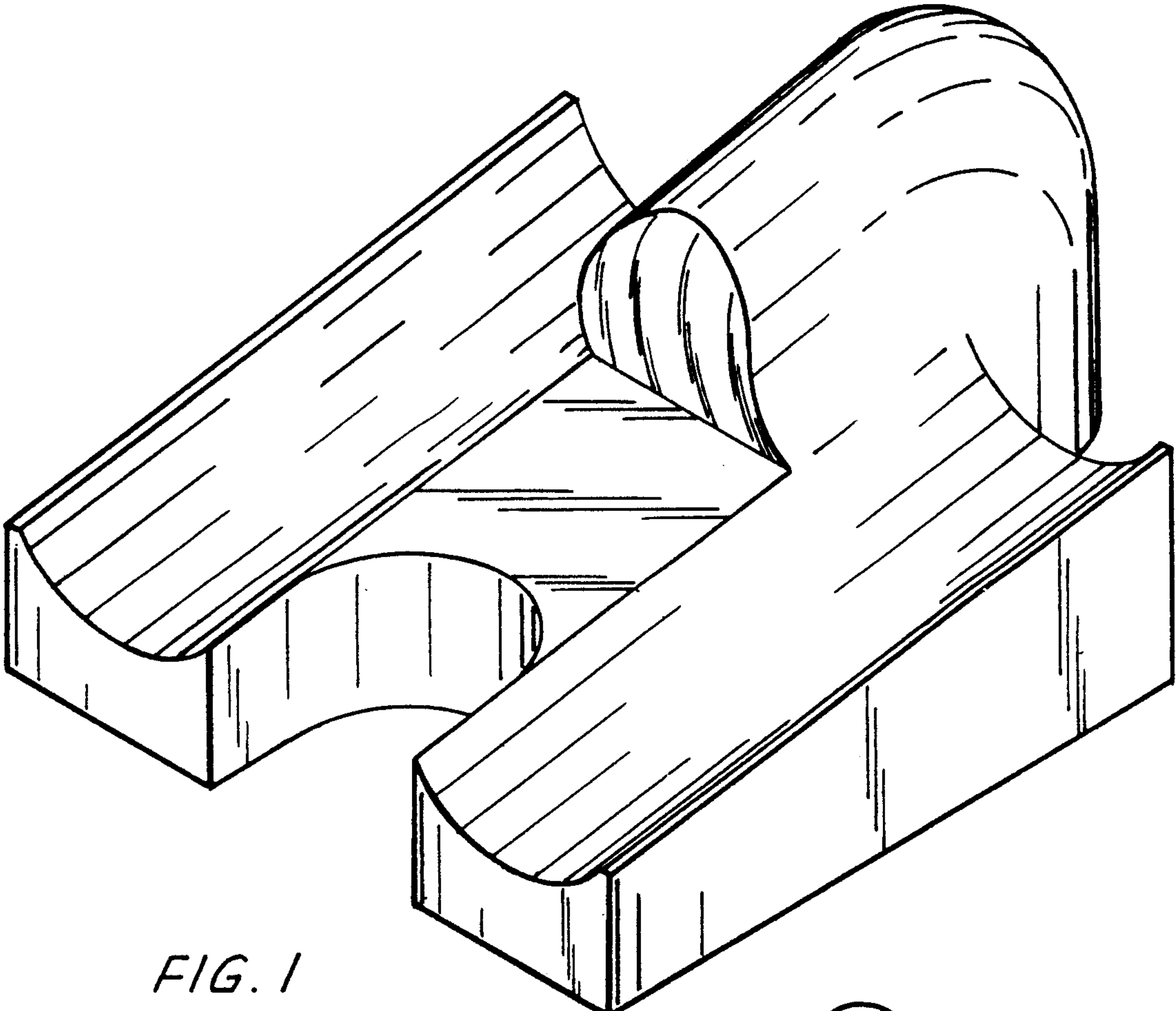


FIG. 1

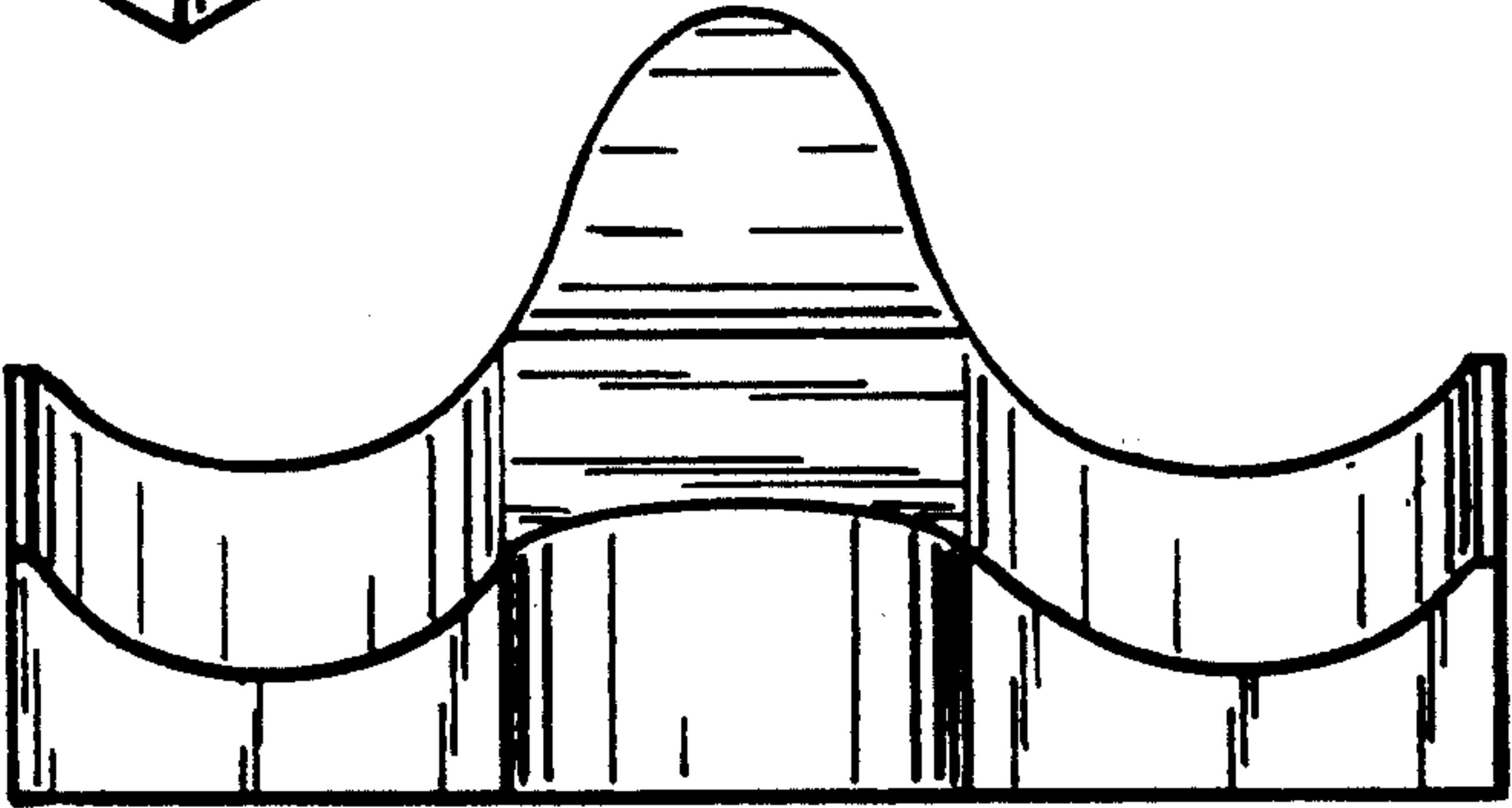


FIG. 5

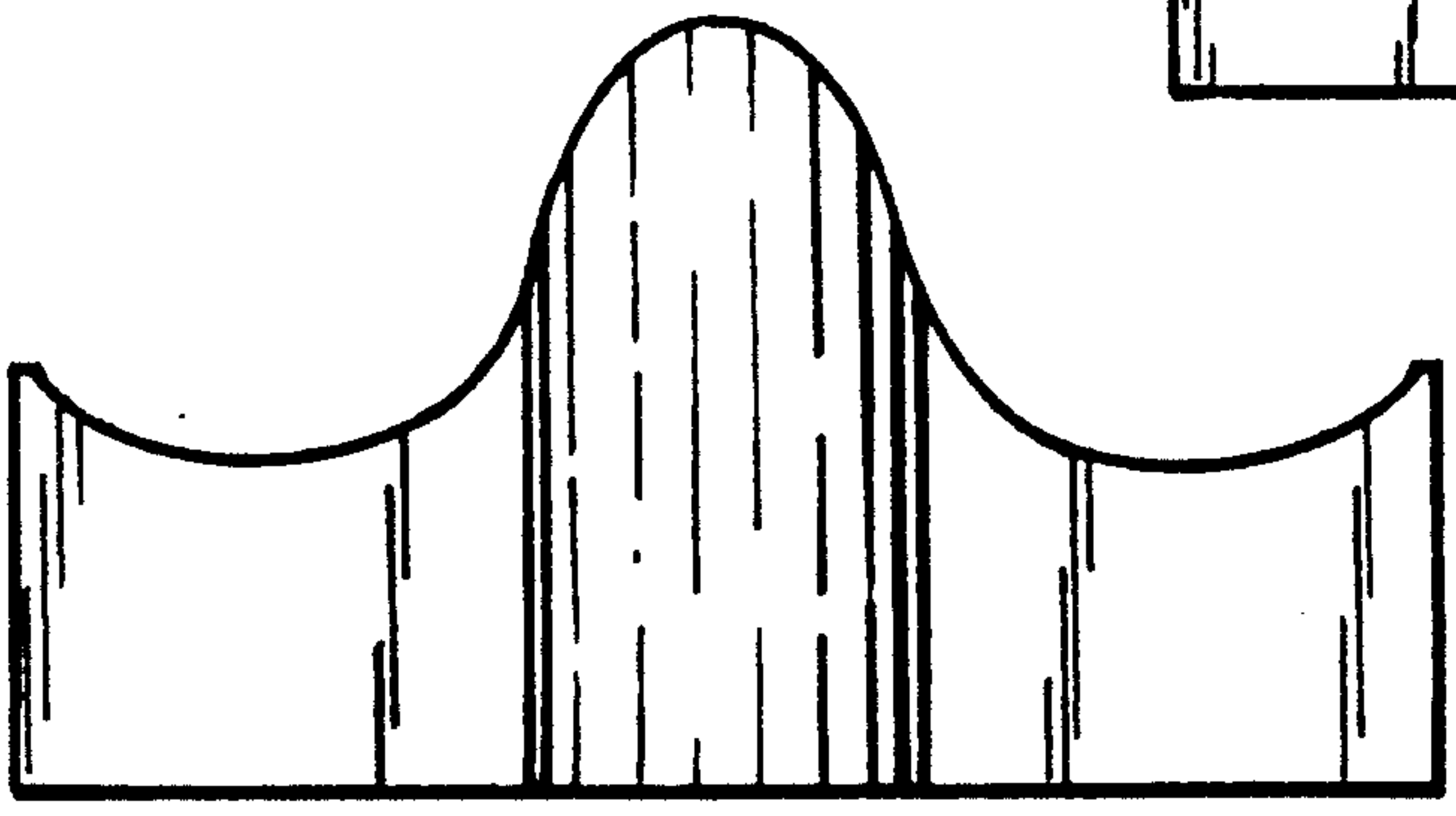


FIG. 6

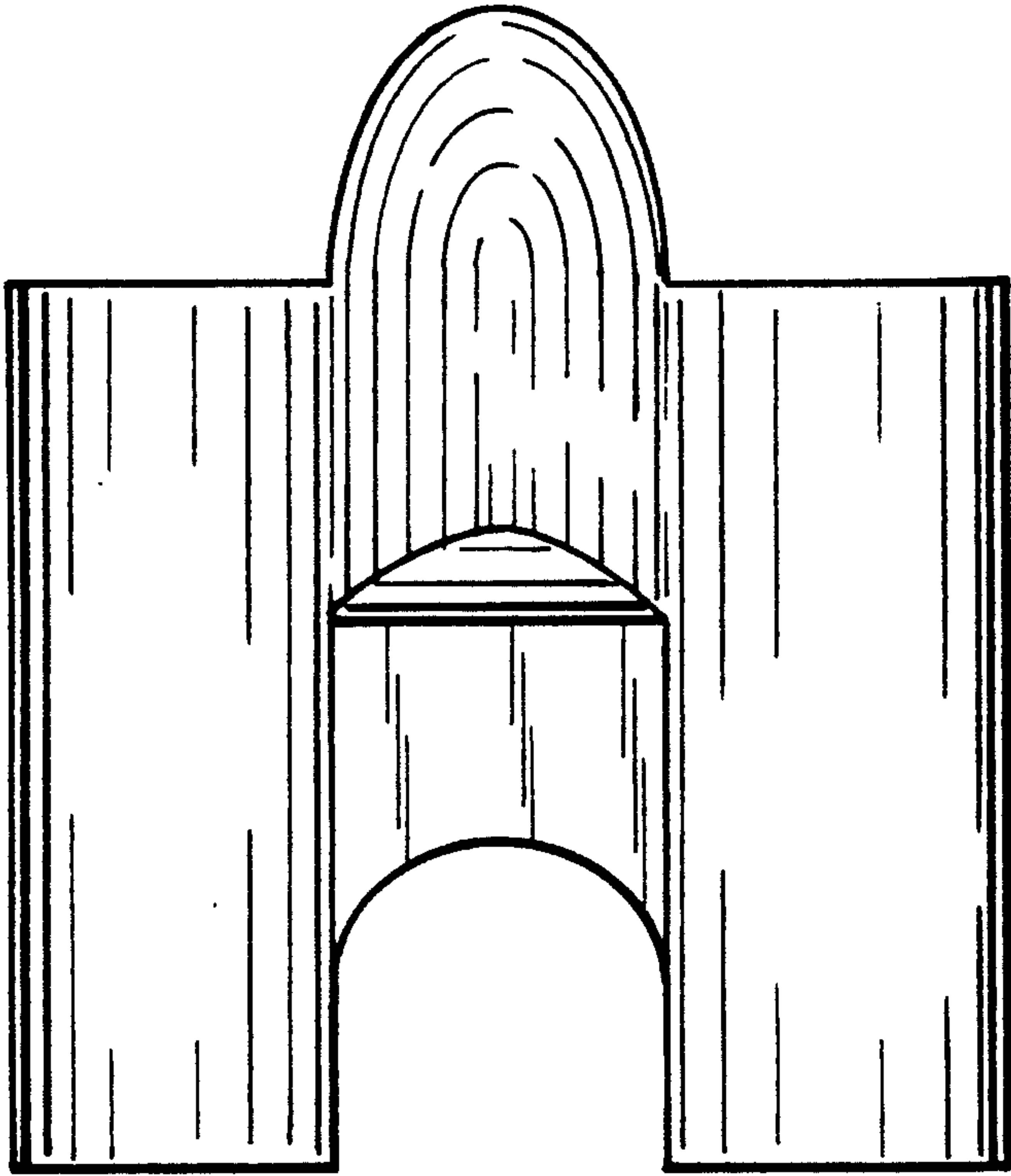


FIG. 2

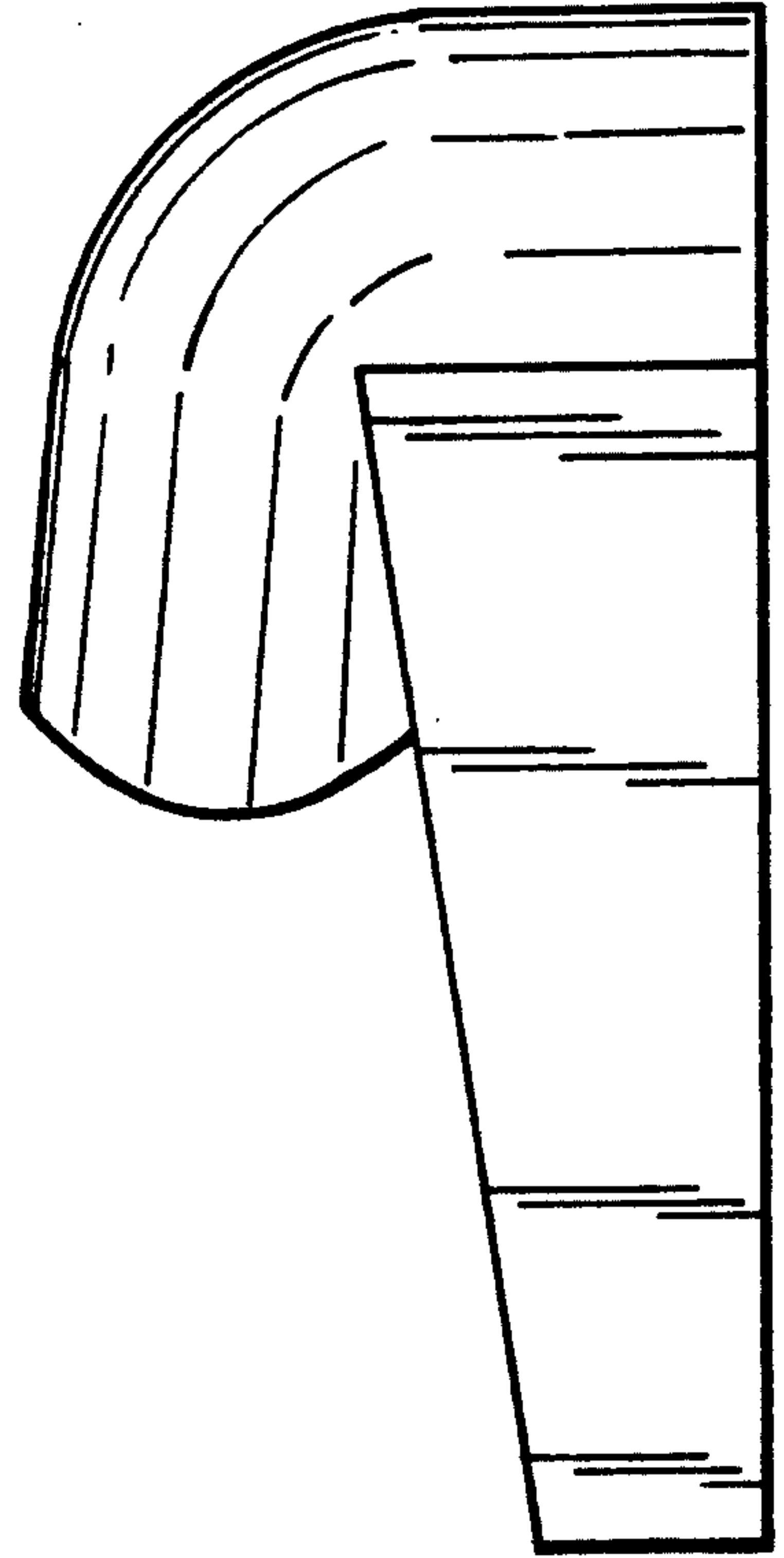


FIG. 3

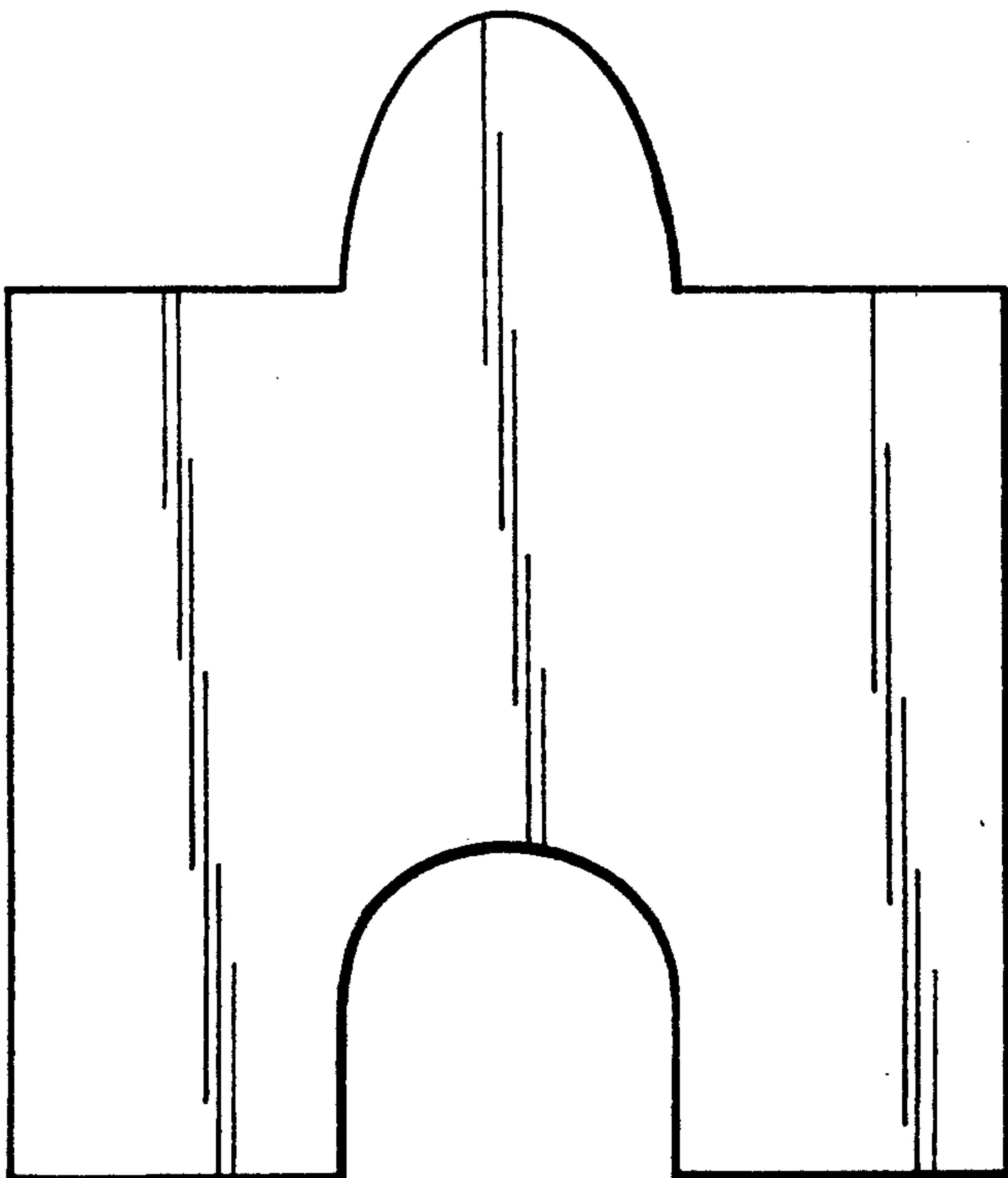


FIG. 4