



US00D334157S

United States Patent [19]
Tonelli

[11] **Patent Number: Des. 334,157**
[45] **Date of Patent: ** Mar. 23, 1993**

[54] **TRICYCLE**

[75] **Inventor: Roger Tonelli, Elmwood Park, Ill.**

[73] **Assignee: Radio Flyer Inc., Chicago, Ill.**

[**] **Term: 14 Years**

[21] **Appl. No.: 658,571**

[22] **Filed: Feb. 21, 1991**

[52] **U.S. Cl. D12/113**

[58] **Field of Search D12/112, 113; 280/282,
280/267, 202, 204**

[56] **References Cited**

U.S. PATENT DOCUMENTS

D. 296,774 7/1988 Armstrong D12/112
3,039,791 6/1962 Horowitz et al. 297/195
4,657,270 4/1987 Allen et al. D12/112

OTHER PUBLICATIONS

American Bicyclist & Motorcyclist, Sep./Oct. 1990, p. 60, the Todson tricycle.
American Bicyclist & Motorcyclist, Sep./Oct. 1990, p. 55, the Ace turbo tricycle.

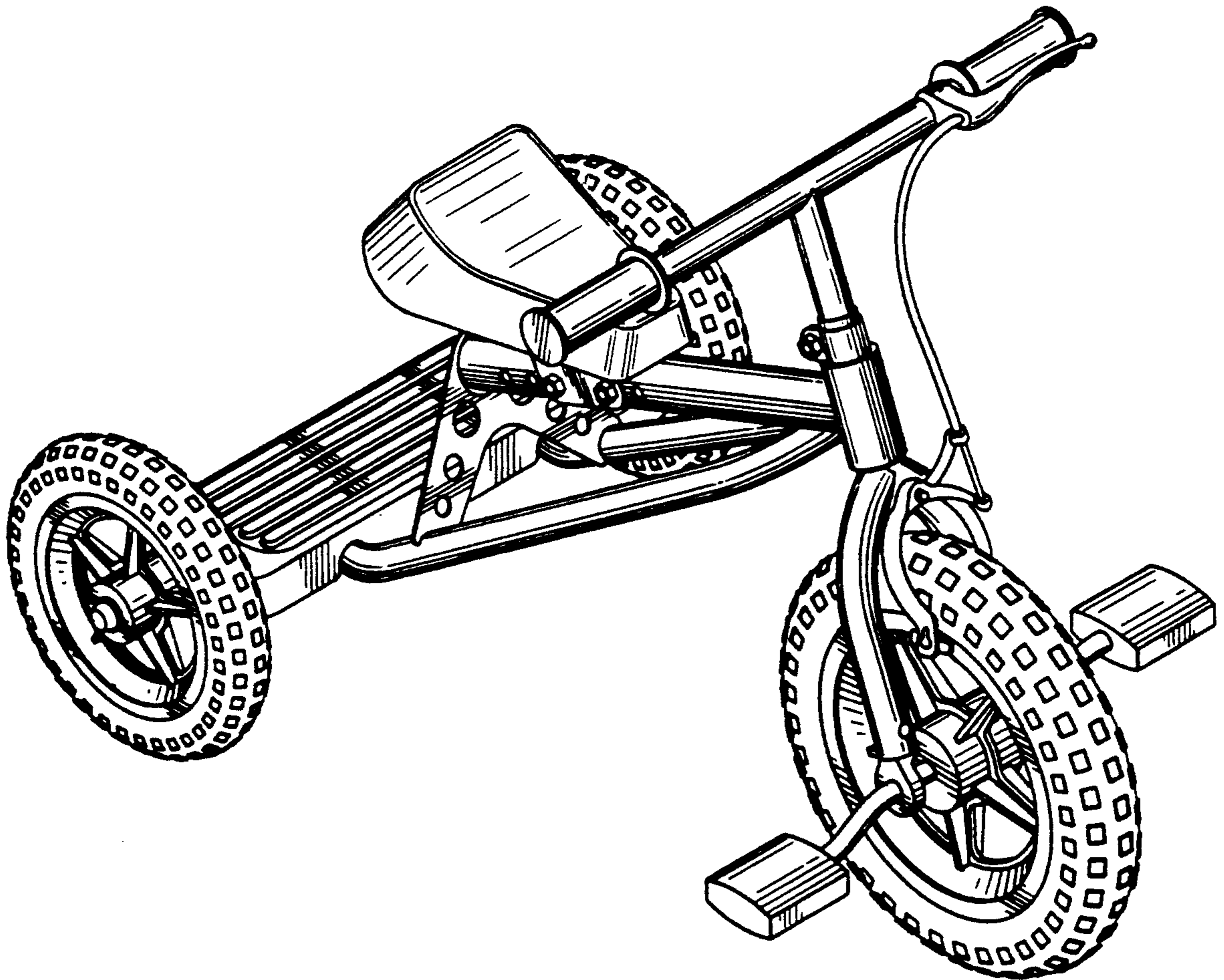
Primary Examiner—Wallace R. Bruke
Assistant Examiner—Melody Brown
Attorney, Agent, or Firm—James P. Ryther

[57] **CLAIM**

The ornamental design for a tricycle, as shown.

DESCRIPTION

FIG. 1 is a perspective view of a tricycle showing my design;
FIG. 2 is a right side elevational view thereof;
FIG. 3 is a top plan view thereof;
FIG. 4 is a front elevational view thereof;
FIG. 5 is a rear elevational view thereof;
FIG. 6 is a left side elevational view thereof; and,
FIG. 7 is a bottom plan view thereof.



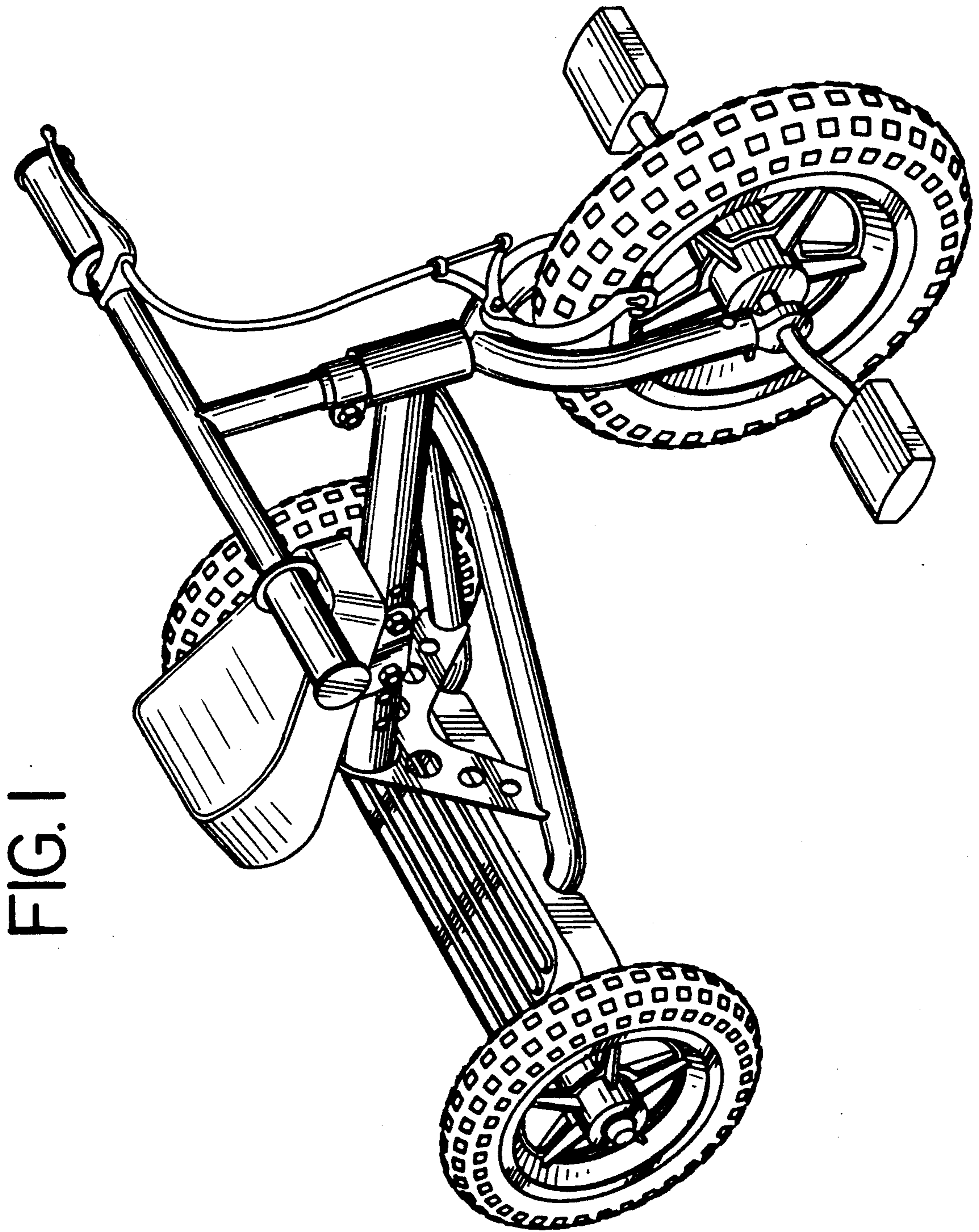


FIG. 1

FIG. 2

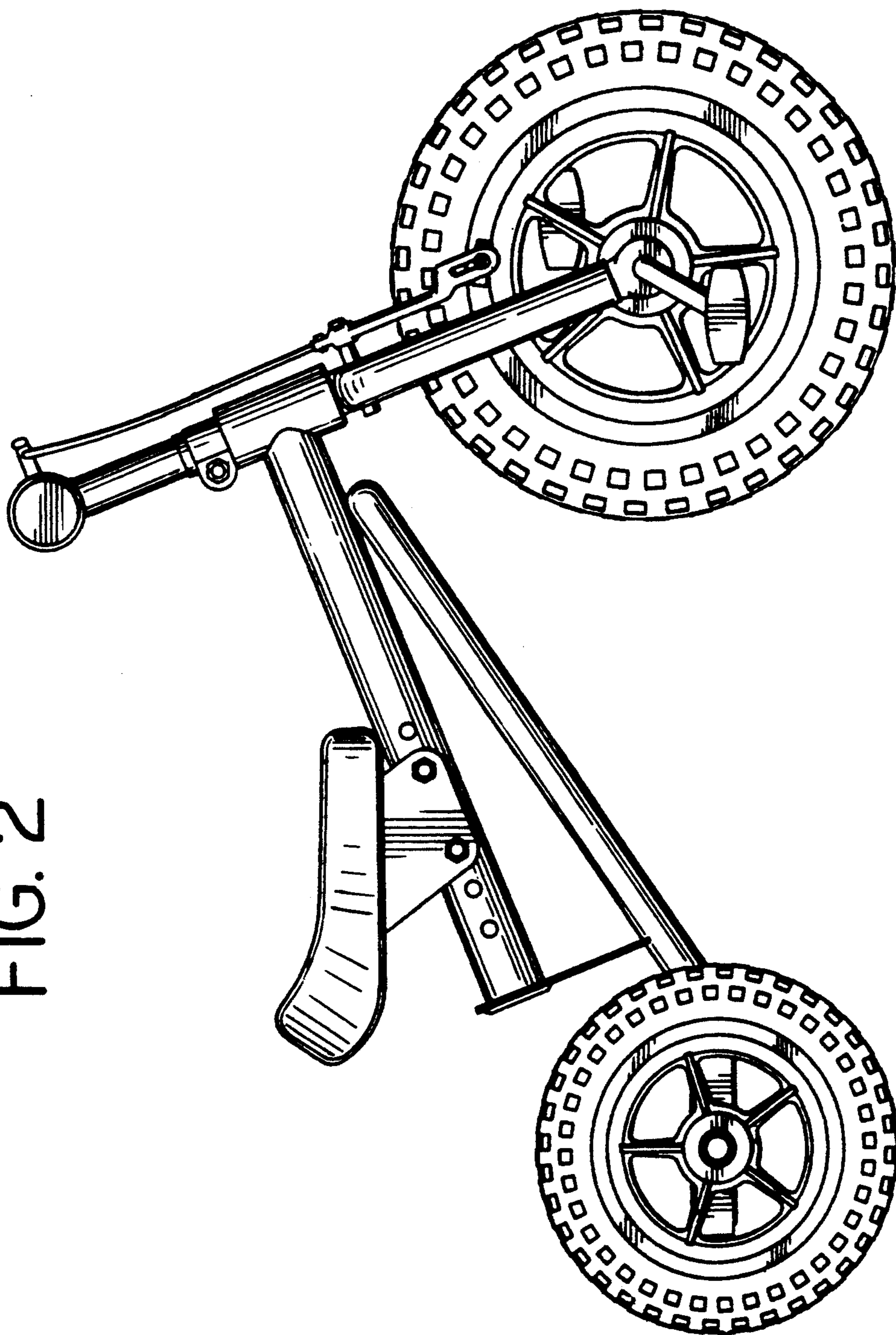


FIG. 3

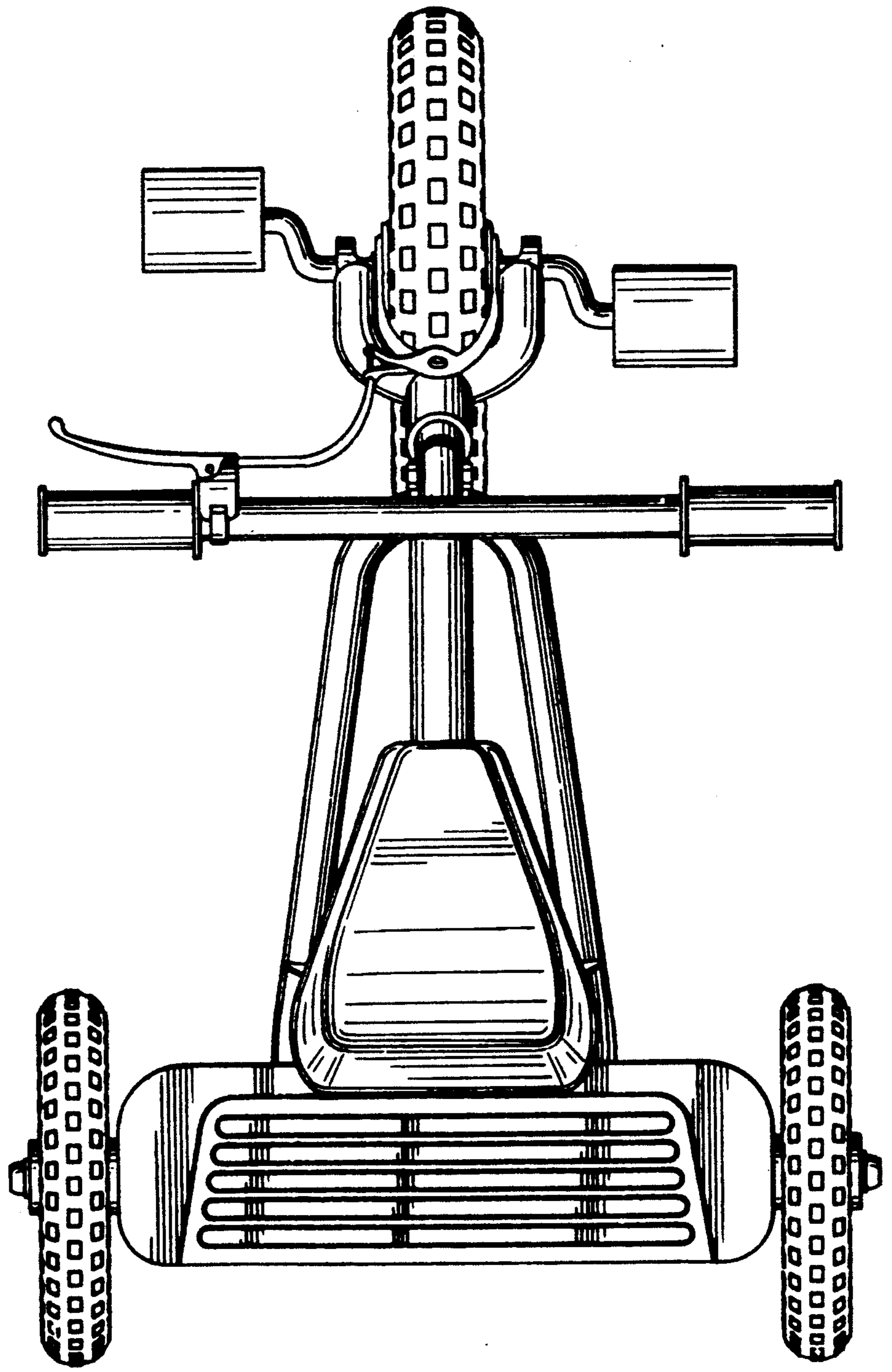


FIG. 5

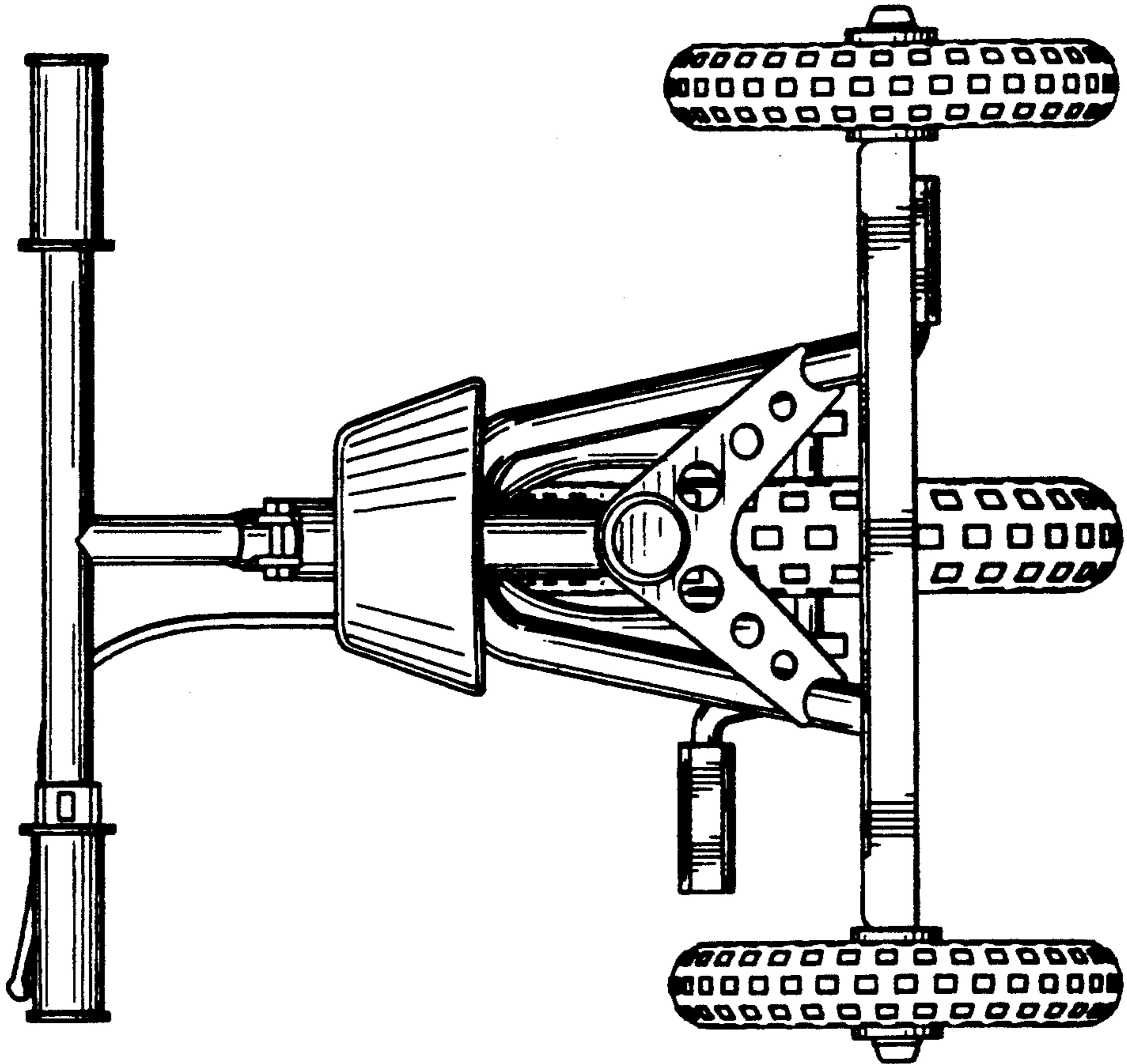


FIG. 4

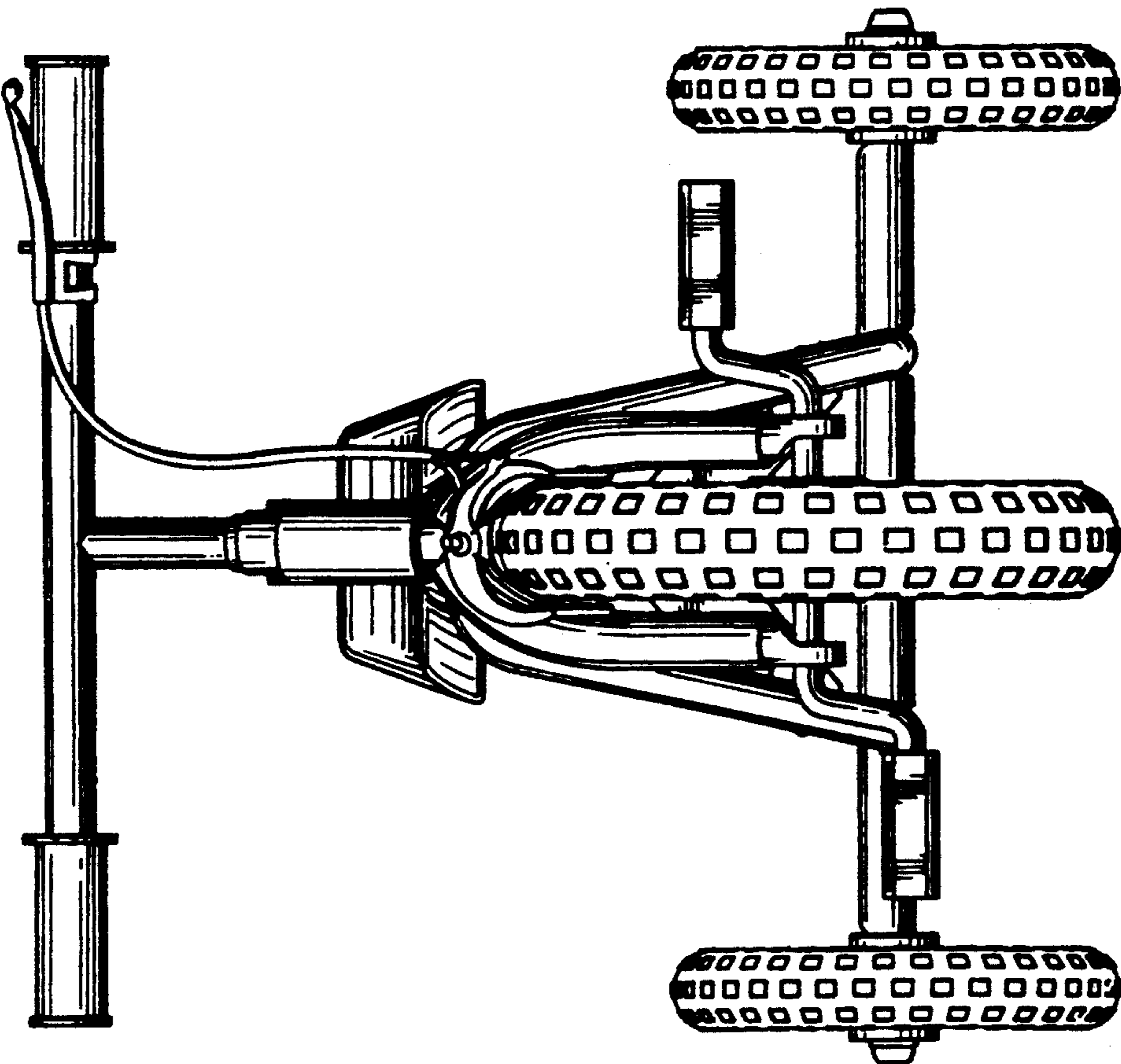


FIG. 6

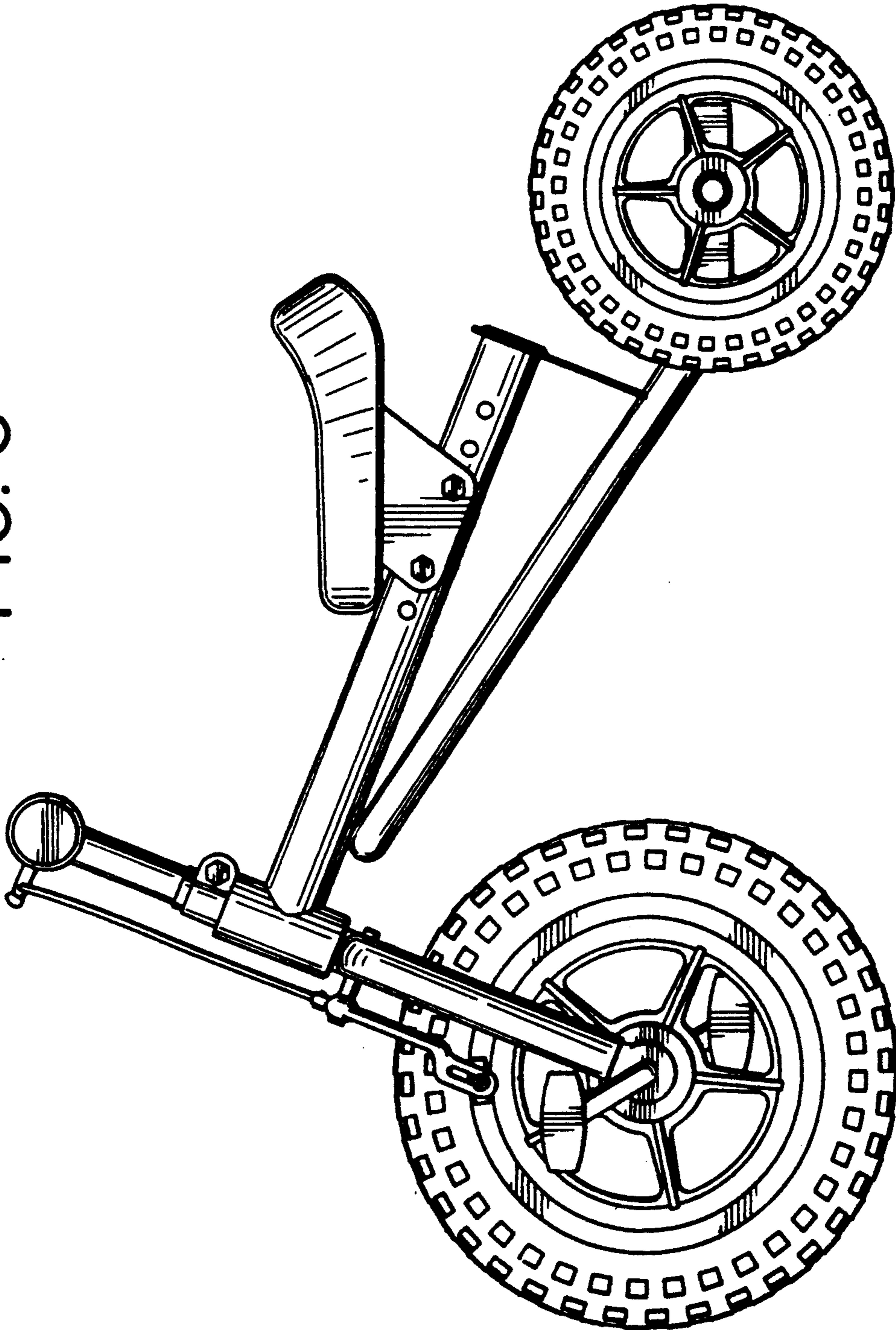


FIG. 7

