



US00D334155S

United States Patent [19]
Terada et al.

[11] **Patent Number: Des. 334,155**
[45] **Date of Patent: ** Mar. 23, 1993**

[54] **PULL TAB FOR SLIDE FASTENER**

[75] **Inventors: Yasuharu Terada, Uozu; Chiharu Takemura, Kurobe, both of Japan**

[73] **Assignee: Yoshida Kogyo K. K., Tokyo, Japan**

[*] **Notice: The portion of the term of this patent subsequent to Oct. 15, 2005 has been disclaimed.**

[**] **Term: 14 Years**

[21] **Appl. No.: 342,564**

[22] **Filed: Apr. 24, 1989**

[30] **Foreign Application Priority Data**

Oct. 24, 1988 [JP] Japan 63-41715
[52] **U.S. Cl. D11/221**
[58] **Field of Search D11/200, 201, 221, 212, D11/13, 40-47, 79-80, 85, 86, 1-4; 24/381-385, 415-417, 427-431**

[56] **References Cited**

U.S. PATENT DOCUMENTS

D. 320,576 10/1991 Terada et al. D11/221
D. 320,766 10/1991 Terada et al. D11/221

Primary Examiner—A. Hugo Word
Assistant Examiner—R. Seifert
Attorney, Agent, or Firm—Hill, Steadman & Simpson

[57] **CLAIM**

The ornamental design for a pull tab for slide fastener, as shown and described.

DESCRIPTION

FIG. 1 is a front elevational view of a pull tab for slide fastener showing my new design;
FIG. 2 is a right side elevational view;
FIG. 3 is a top plan view;
FIG. 4 is a bottom plan view;
FIG. 5 is a cross sectional view taken along the lines 5—5 of FIG. 1;
FIG. 6 is a cross sectional view taken along the lines 6—6 of FIG. 2;
FIG. 7 is an enlarged cross sectional view taken along the lines 7—7 of FIG. 1; and,
FIG. 8 is a cross sectional view taken along the lines 8—8 of FIG. 1.

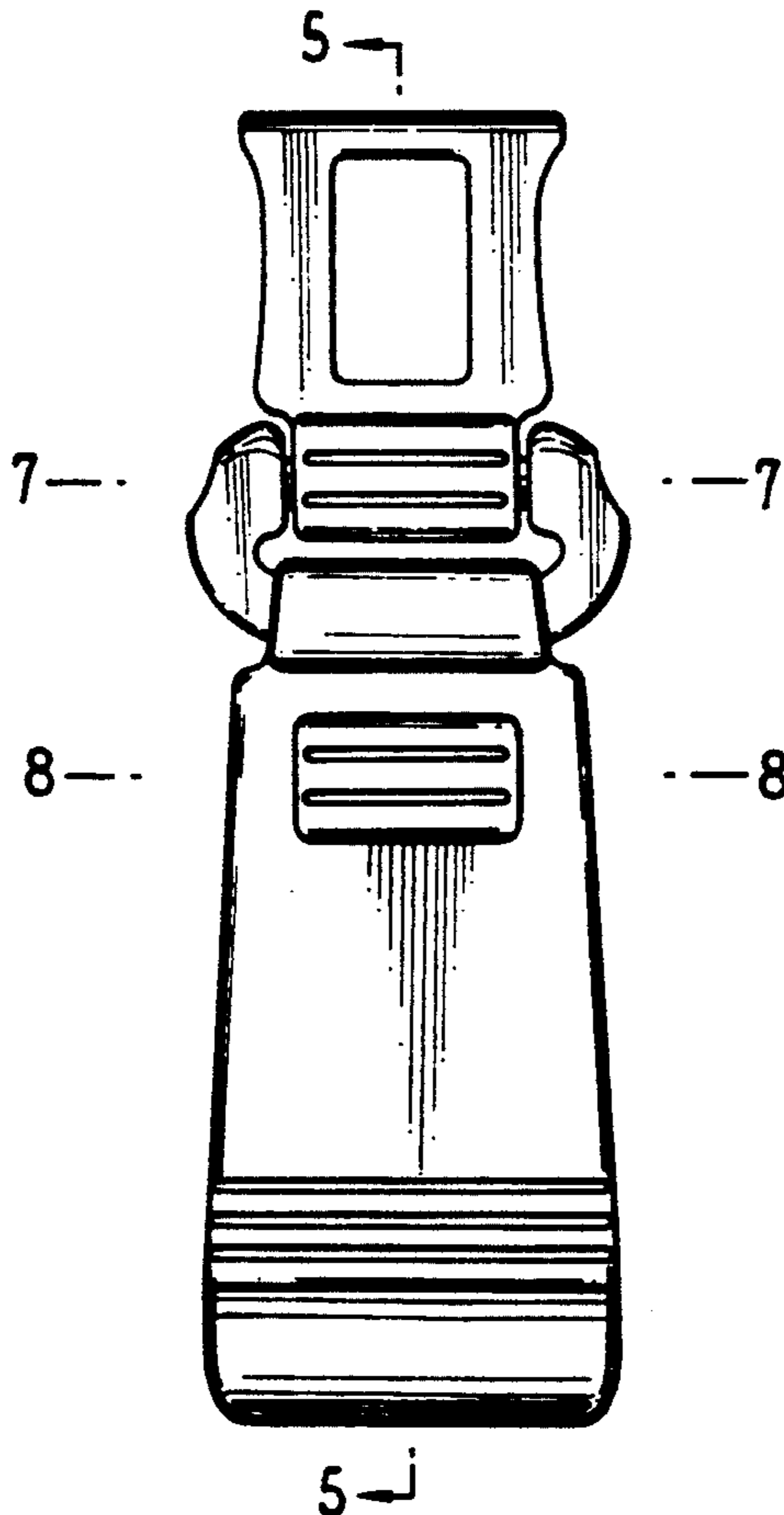


FIG. 1

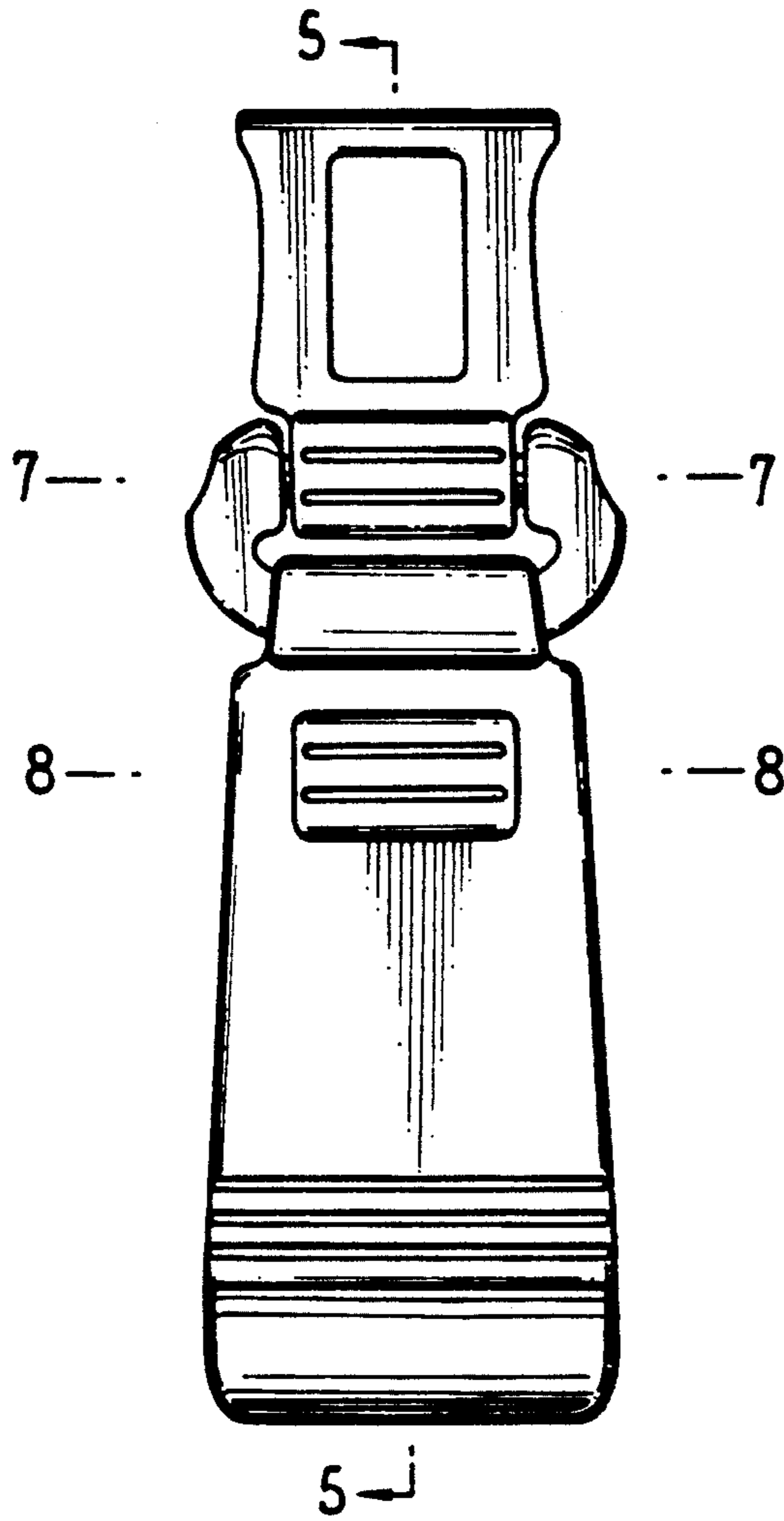


FIG. 2

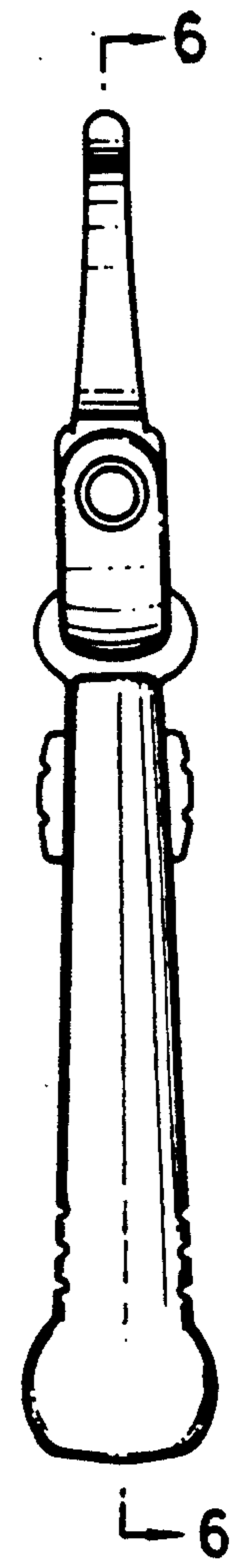


FIG. 4

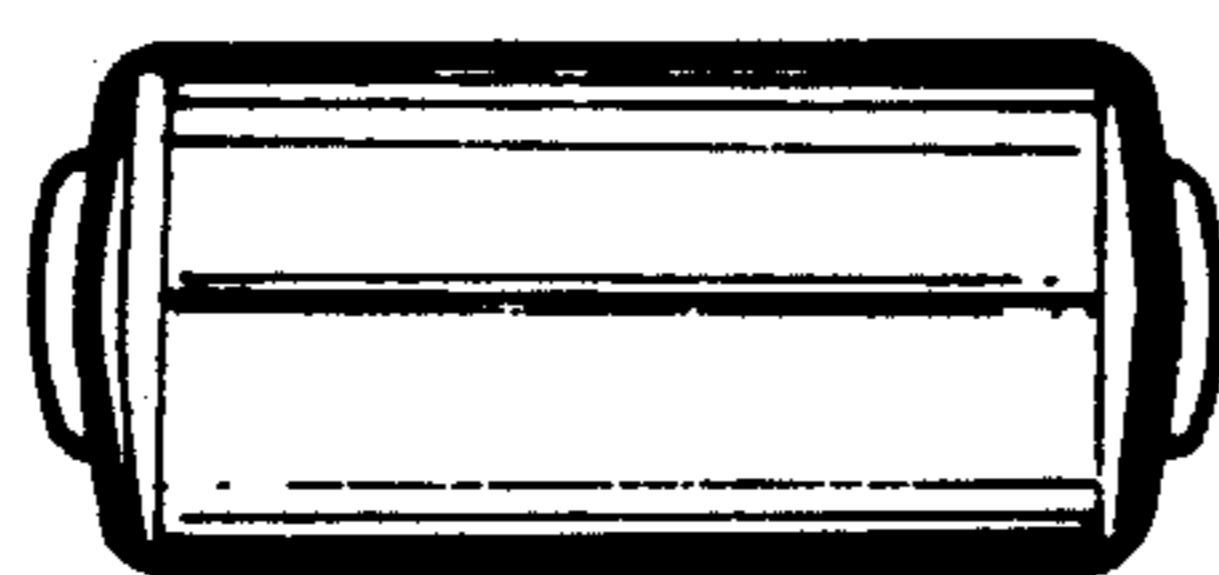


FIG. 3

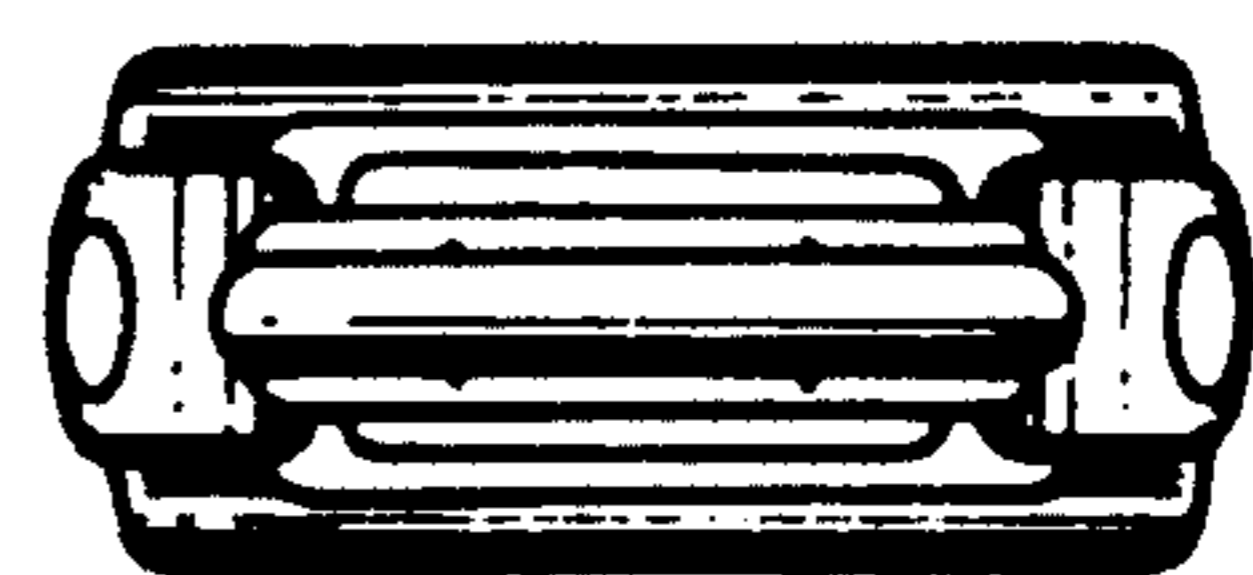


FIG. 6

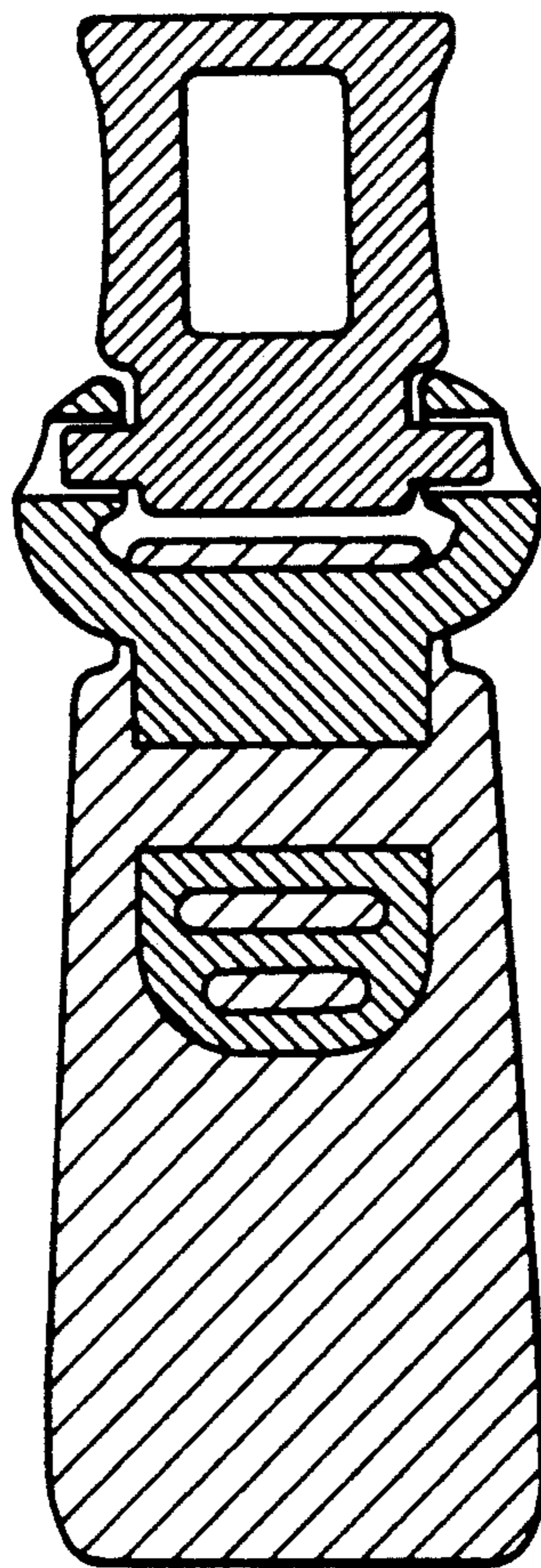


FIG. 5



FIG. 7

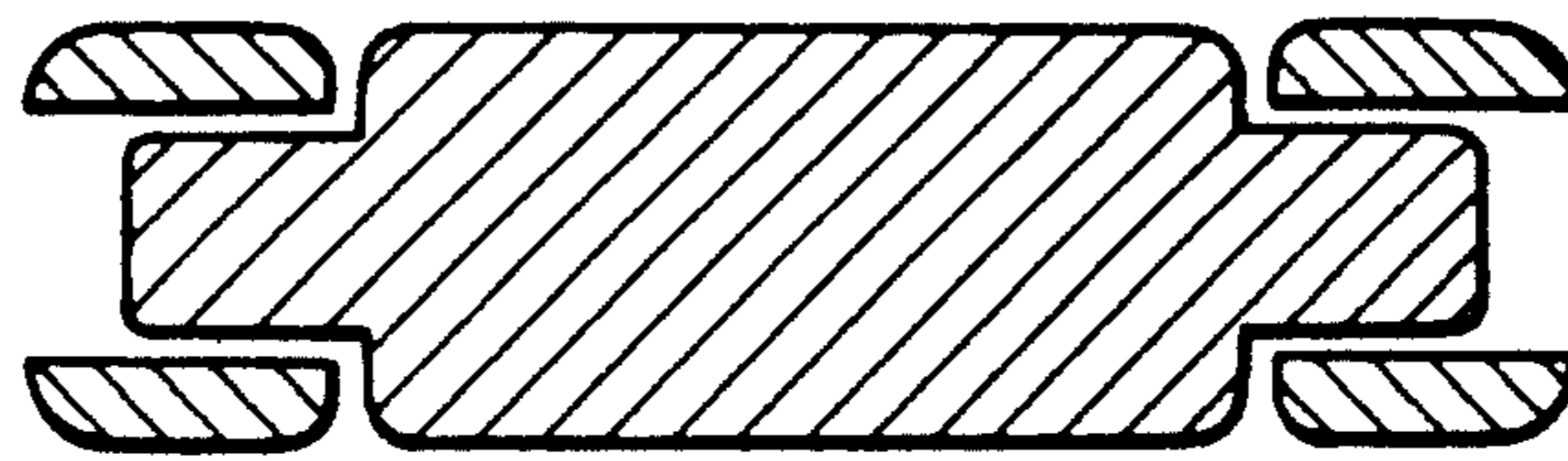


FIG. 8

