



US00D334148S

United States Patent [19]

[11] Patent Number: **Des. 334,148**

McAllister

[45] Date of Patent: **** Mar. 23, 1993**

[54] **INFLATABLE DISTRESS SIGNAL**

[76] Inventor: **Carol H. McAllister**, 8301 Elmcrest La., Huntington Beach, Calif. 92646

[**] Term: **14 Years**

[21] Appl. No.: **731,907**

[22] Filed: **Jul. 18, 1991**

[52] U.S. Cl. **D10/109**

[58] Field of Search **D10/104, 106, 109, 111, D10/121; 40/607; 116/DIG. 8, DIG. 9, 6; 441/30, 40, 41**

4,768,739 9/1988 Schnee 116/210
 4,872,414 10/1987 Asquith et al. 116/DIG. 9
 5,005,513 4/1991 Van Patten et al. 116/DIG. 9
 5,014,757 5/1991 Donaldson et al. 116/DIG. 9
 5,020,467 6/1991 Van Patten et al. 116/DIG. 9

Primary Examiner—Wallace R. Burke
Assistant Examiner—Marcus Jackson
Attorney, Agent, or Firm—Terry M. Gernstein

[57] CLAIM

The ornamental design for an inflatable distress signal, as shown and described.

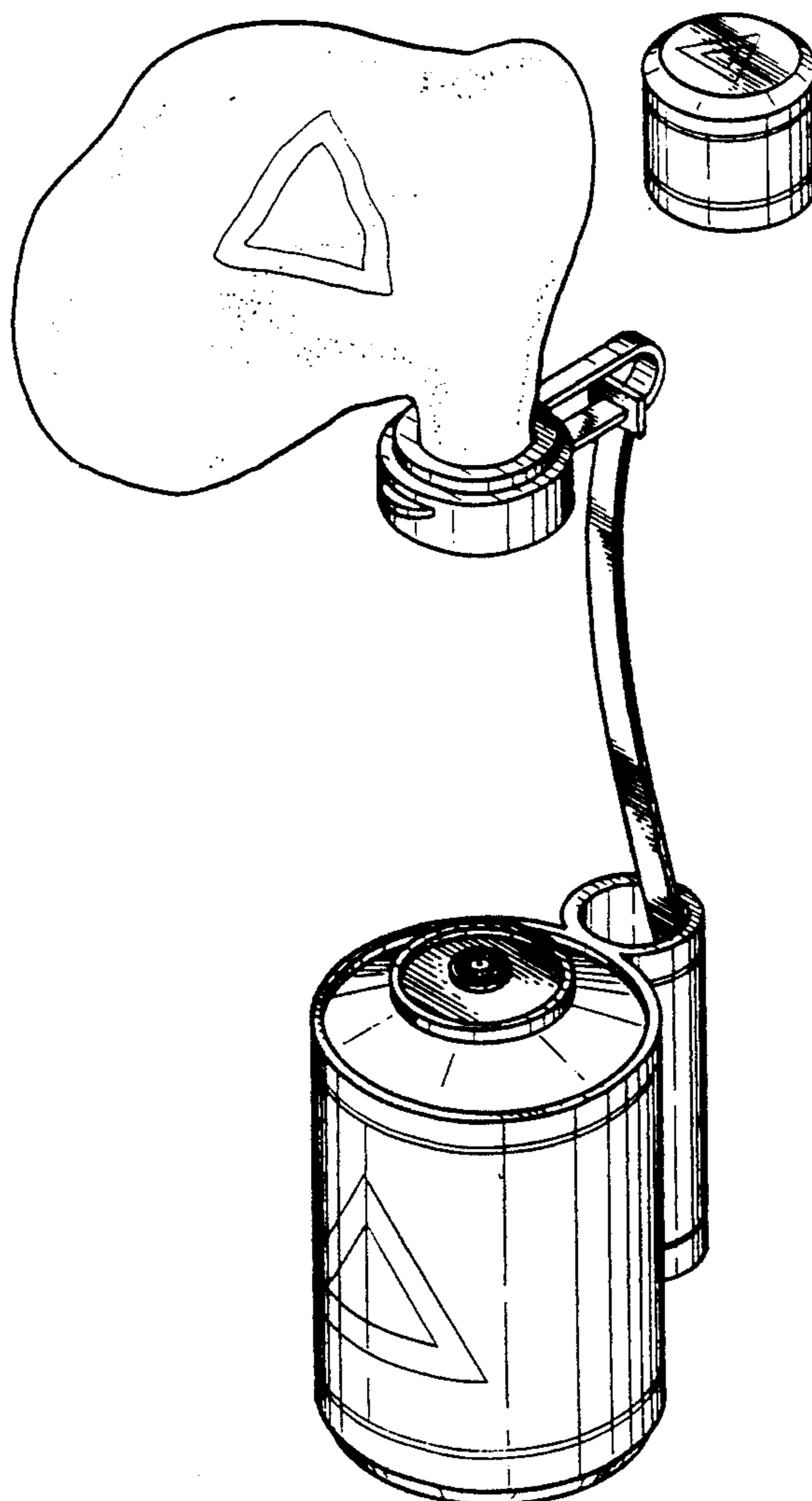
[56] References Cited

U.S. PATENT DOCUMENTS

3,171,128 2/1965 Shattuck 116/DIG. 9
 3,250,241 5/1966 Levy et al. 40/607
 3,419,361 12/1968 Bratton et al. 116/DIG. 9
 4,013,035 3/1977 Kopeika 116/210
 4,052,955 10/1977 Haushalter 116/210
 4,094,267 6/1978 Davis, Jr. 116/DIG. 9
 4,586,456 5/1986 Forward 116/DIG. 9

DESCRIPTION

FIG. 1 is an exploded perspective view of an inflatable distress signal showing my new design;
 FIG. 2 is a front elevational view thereof;
 FIG. 3 is a rear elevational view thereof;
 FIG. 4 is a side elevational view thereof, the side opposite being a mirror image of the side shown in FIG. 4;
 FIG. 5 is a top plan view thereof; and,
 FIG. 6 is a bottom view thereof.



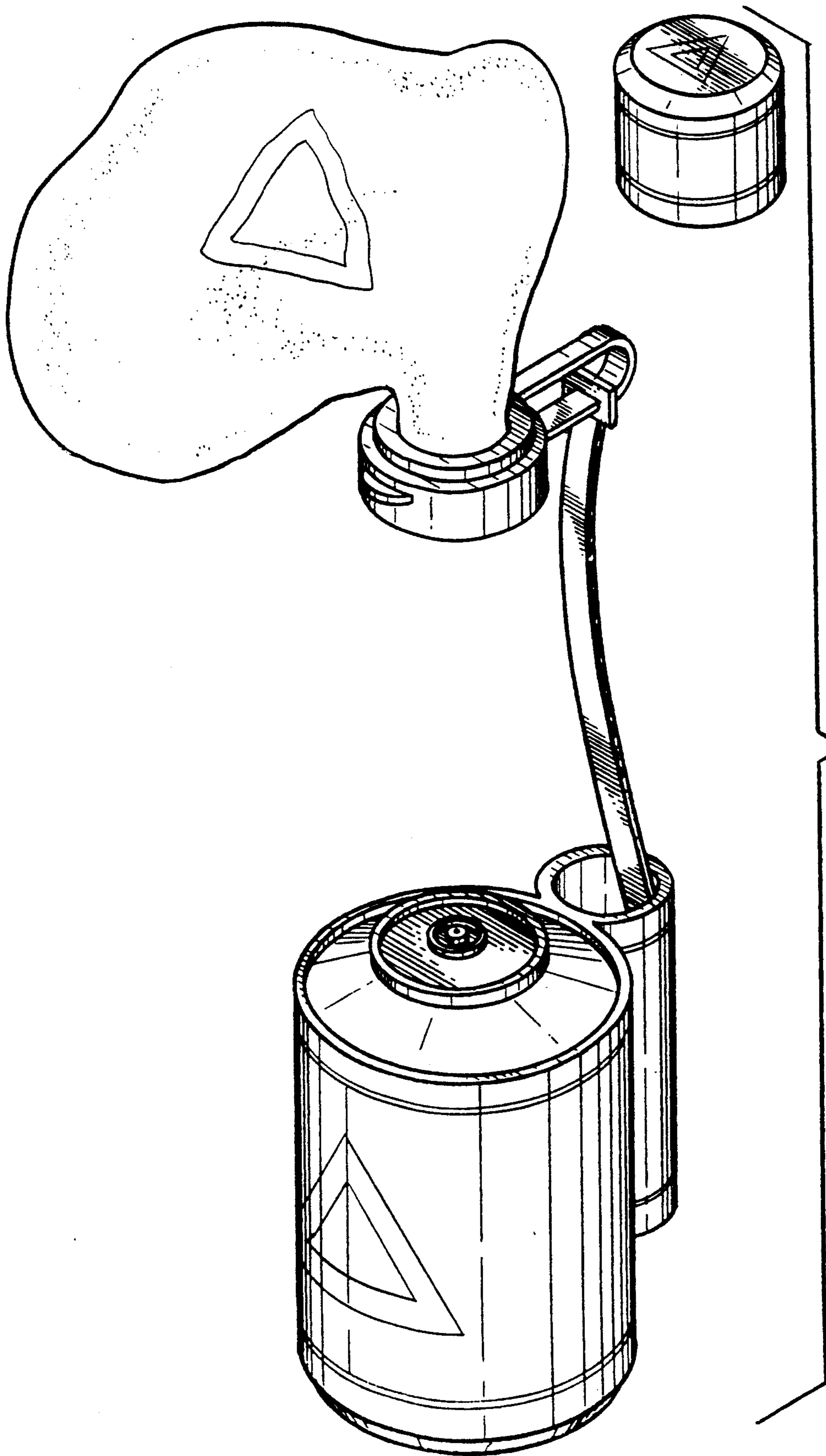


FIG. 1

FIG. 4

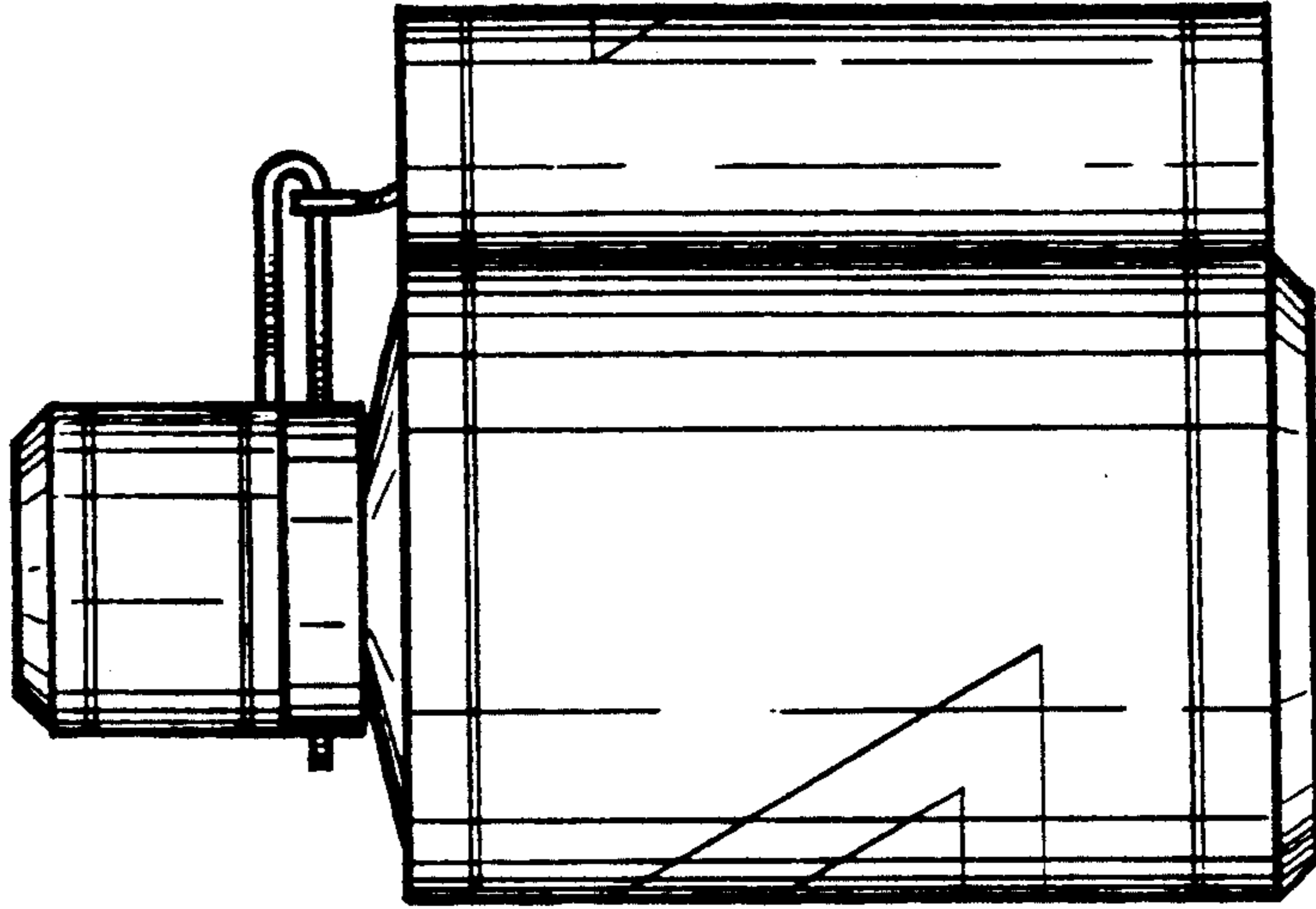


FIG. 3

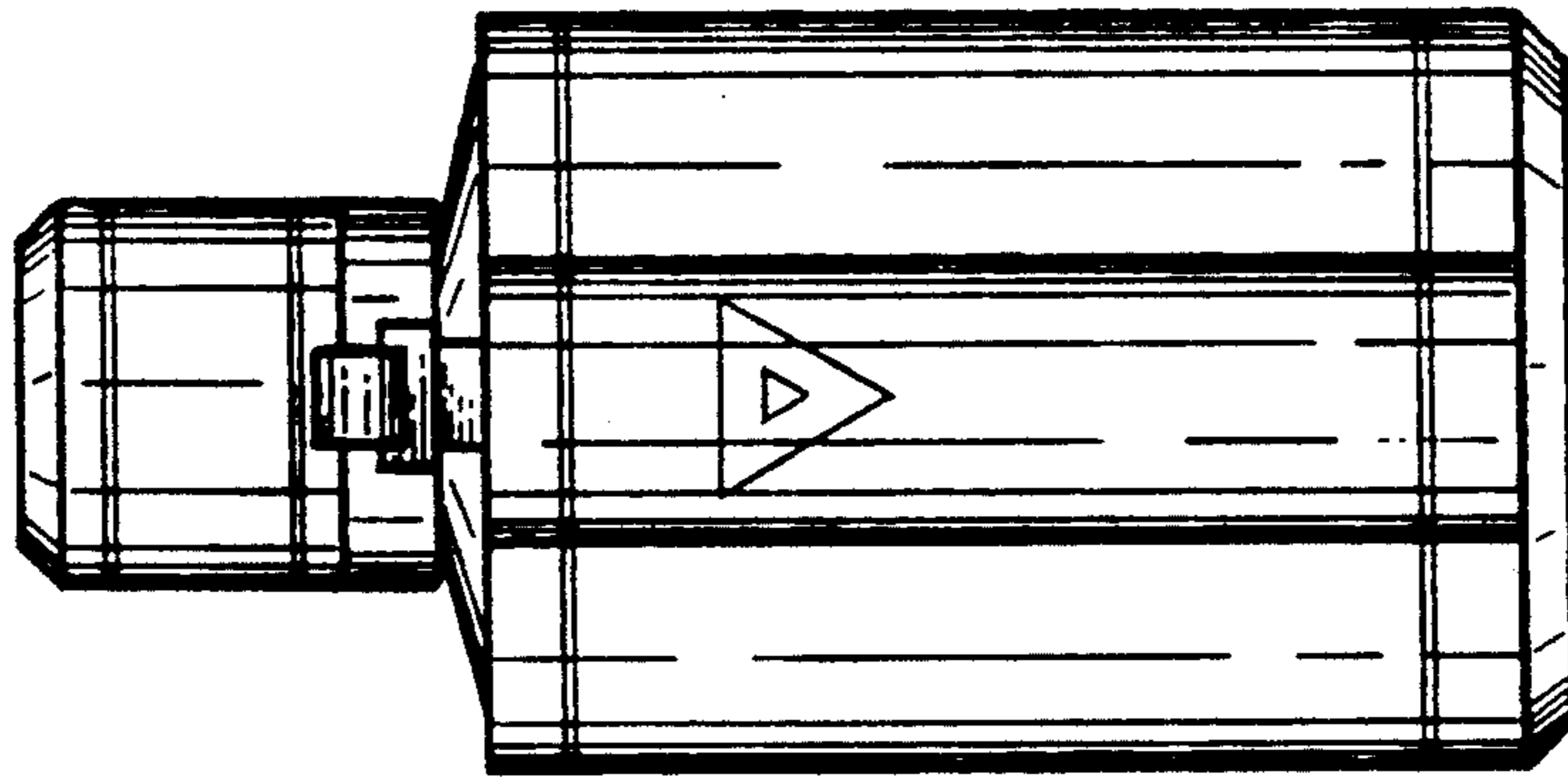
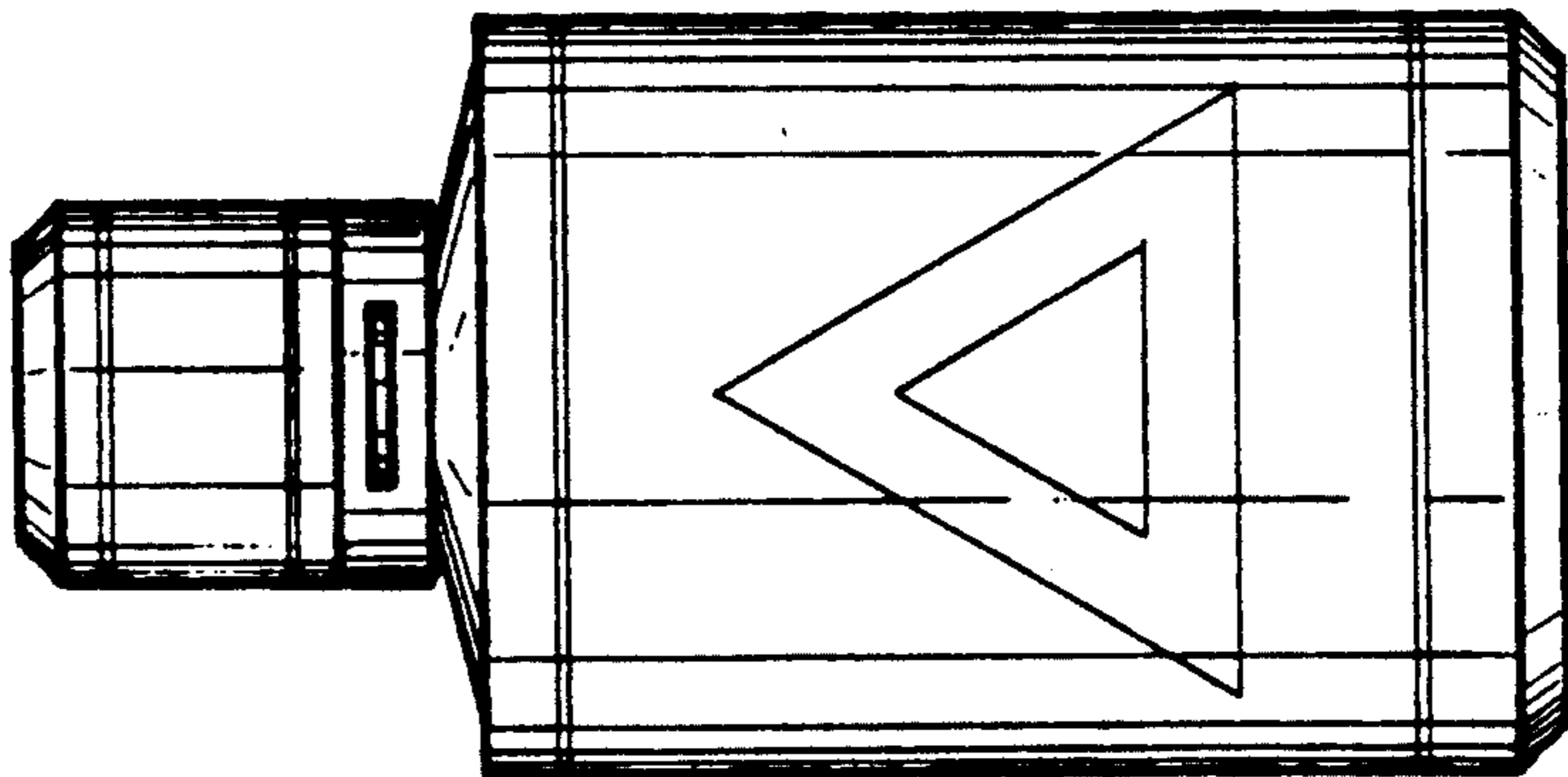


FIG. 2



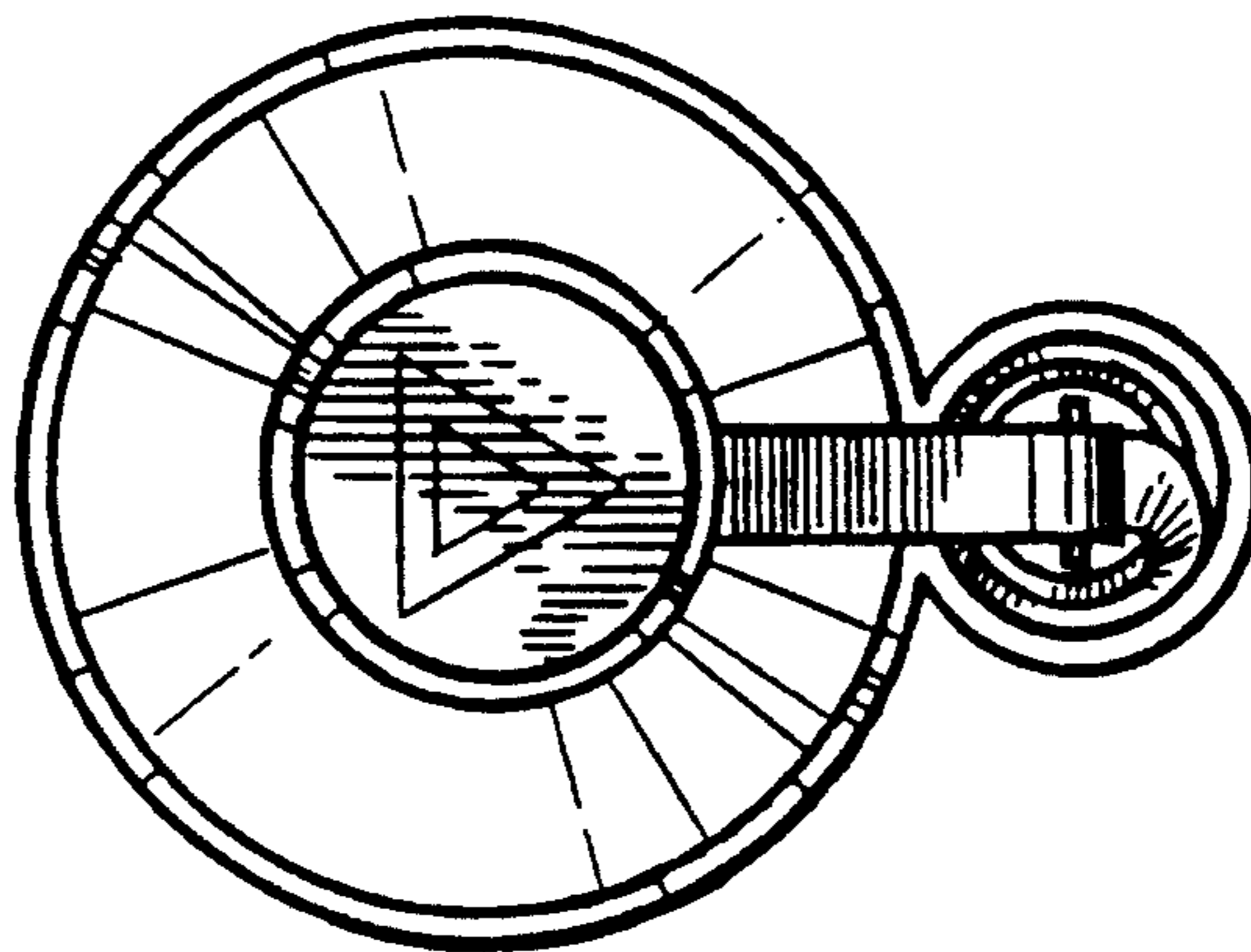


FIG. 5

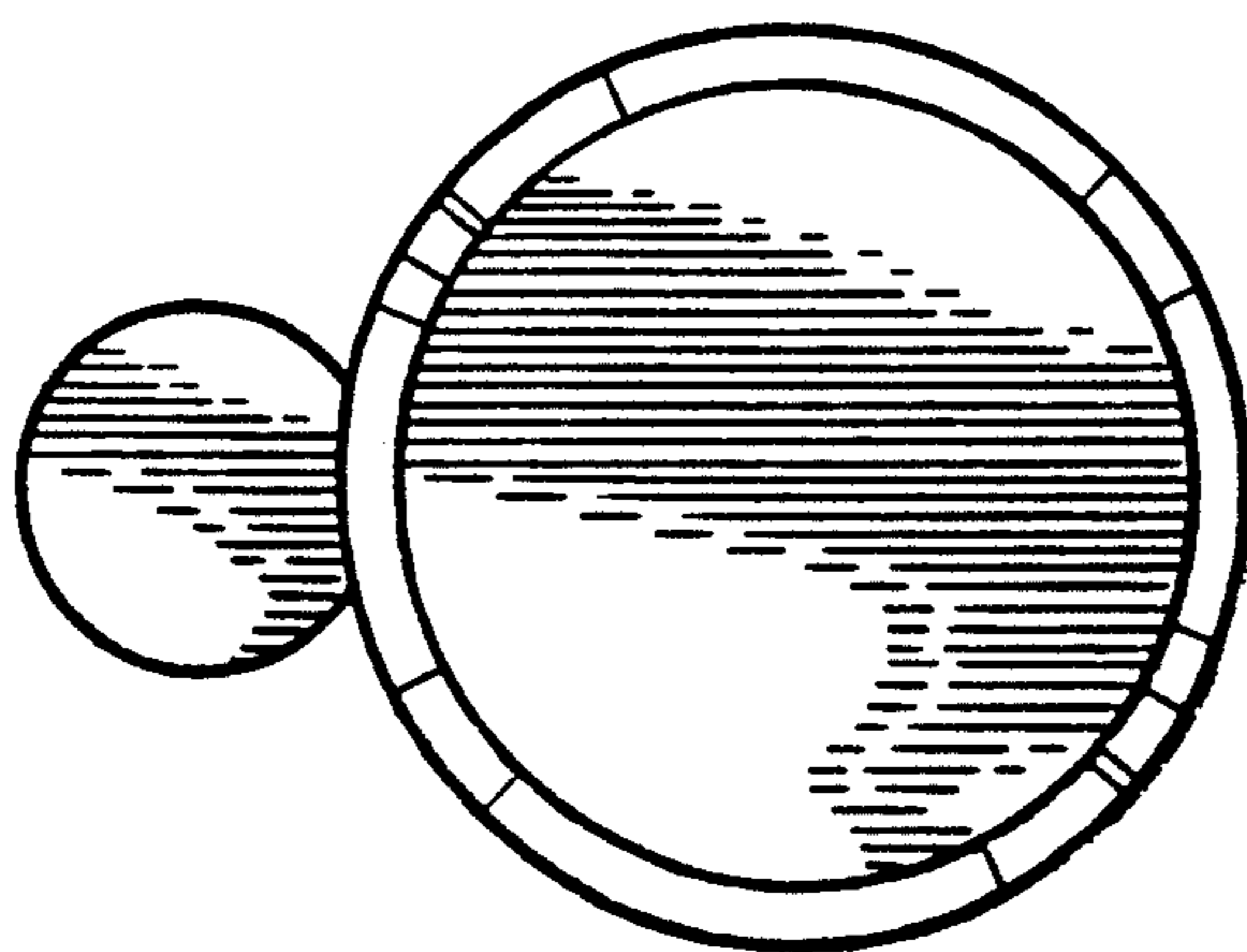


FIG. 6