



US00D334137S

United States Patent [19]
Petschek

[11] **Patent Number: Des. 334,137**
[45] **Date of Patent: ** Mar. 23, 1993**

[54] **DISPENSING CONTAINER**
[75] **Inventor: Nick Petschek, New York, N.Y.**
[73] **Assignee: ReSeal International Limited Partnership, New York, N.Y.**
[**] **Term: 14 Years**
[21] **Appl. No.: 596,344**
[22] **Filed: Oct. 11, 1990**
[52] **U.S. Cl. D9/300; D9/545**
[58] **Field of Search D6/542-545; D28/7, 73, 76; D9/300, 516, 528, 529, 542, 543, 544, 562, 566, 574; 215/1 R, 1 C; 222/182, 209, 211, 212, 372, 373, 402.12**

D. 285,053 8/1986 Marchetti D9/544
D. 308,634 6/1990 Dinand D9/544
D. 326,217 5/1992 Petschek D6/544

Primary Examiner—Theodore M. Shooman
Assistant Examiner—Mitchell Siegel
Attorney, Agent, or Firm—Anderson Kill Olick & Oshinsky

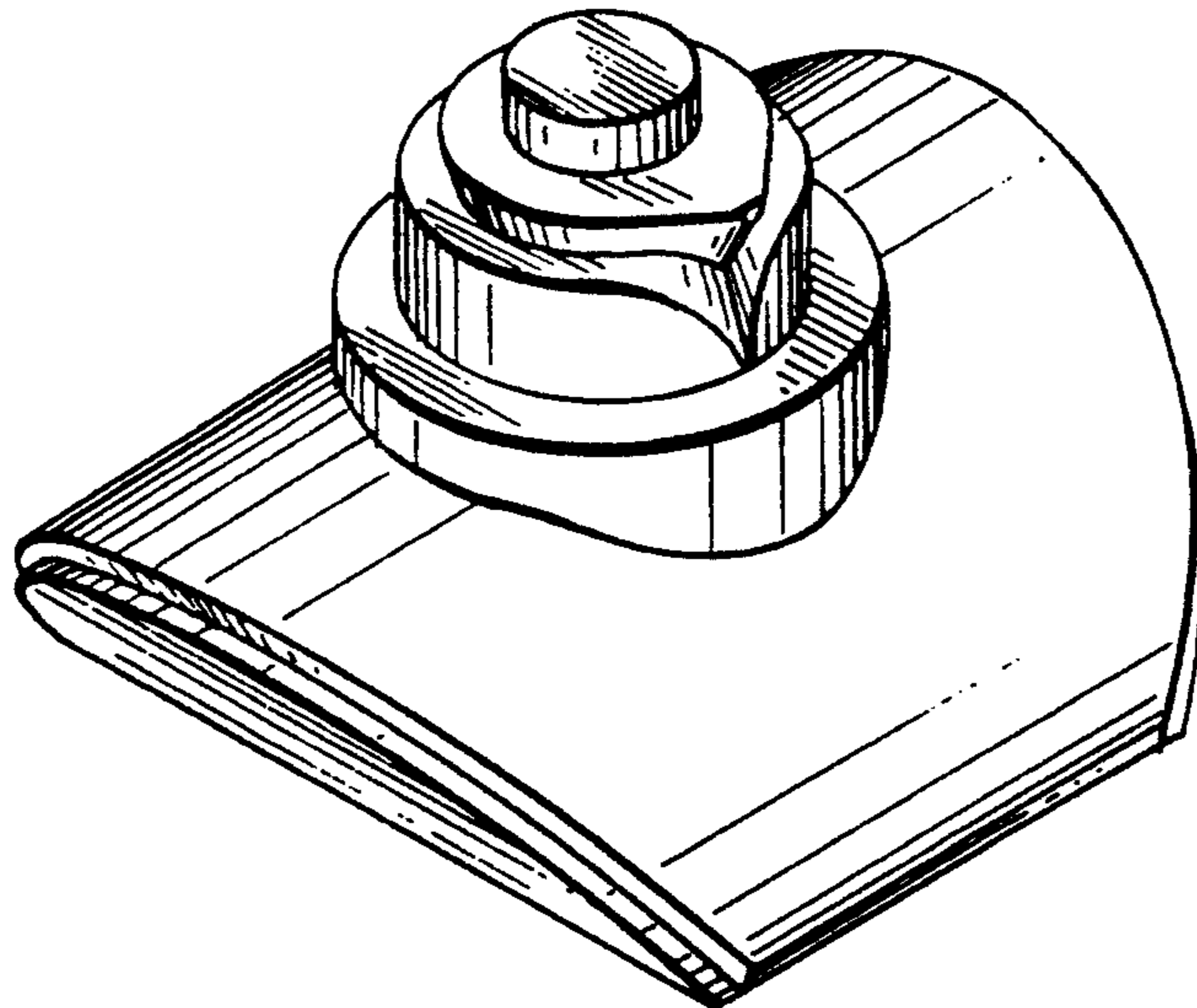
[57] **CLAIM**

The ornamental design for a dispensing container, as shown and described.

DESCRIPTION

FIG. 1 is a top, front, and left side perspective view of a dispensing container showing my new design;
FIG. 2 is a top plan view thereof;
FIG. 3 is a front elevational view thereof;
FIG. 4 is a left side elevational view thereof; the undisclosed opposite side being a mirror image;
FIG. 5 is a rear elevational view thereof; and,
FIG. 6 is a bottom plan view thereof.

[56] **References Cited**
U.S. PATENT DOCUMENTS
D. 100,424 7/1936 Guerlain D9/546
D. 228,710 10/1973 Stevenson D6/545



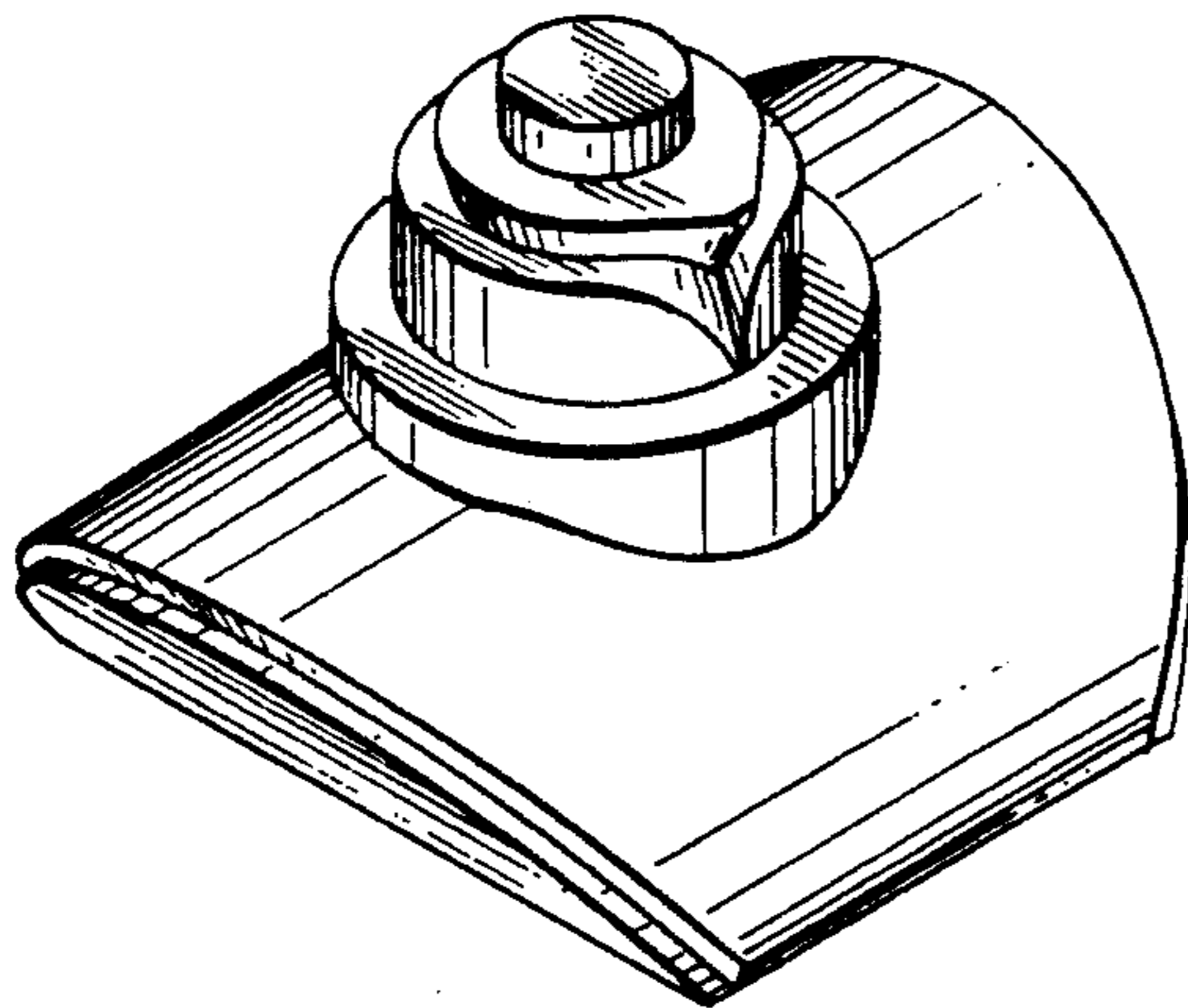


FIG. 1

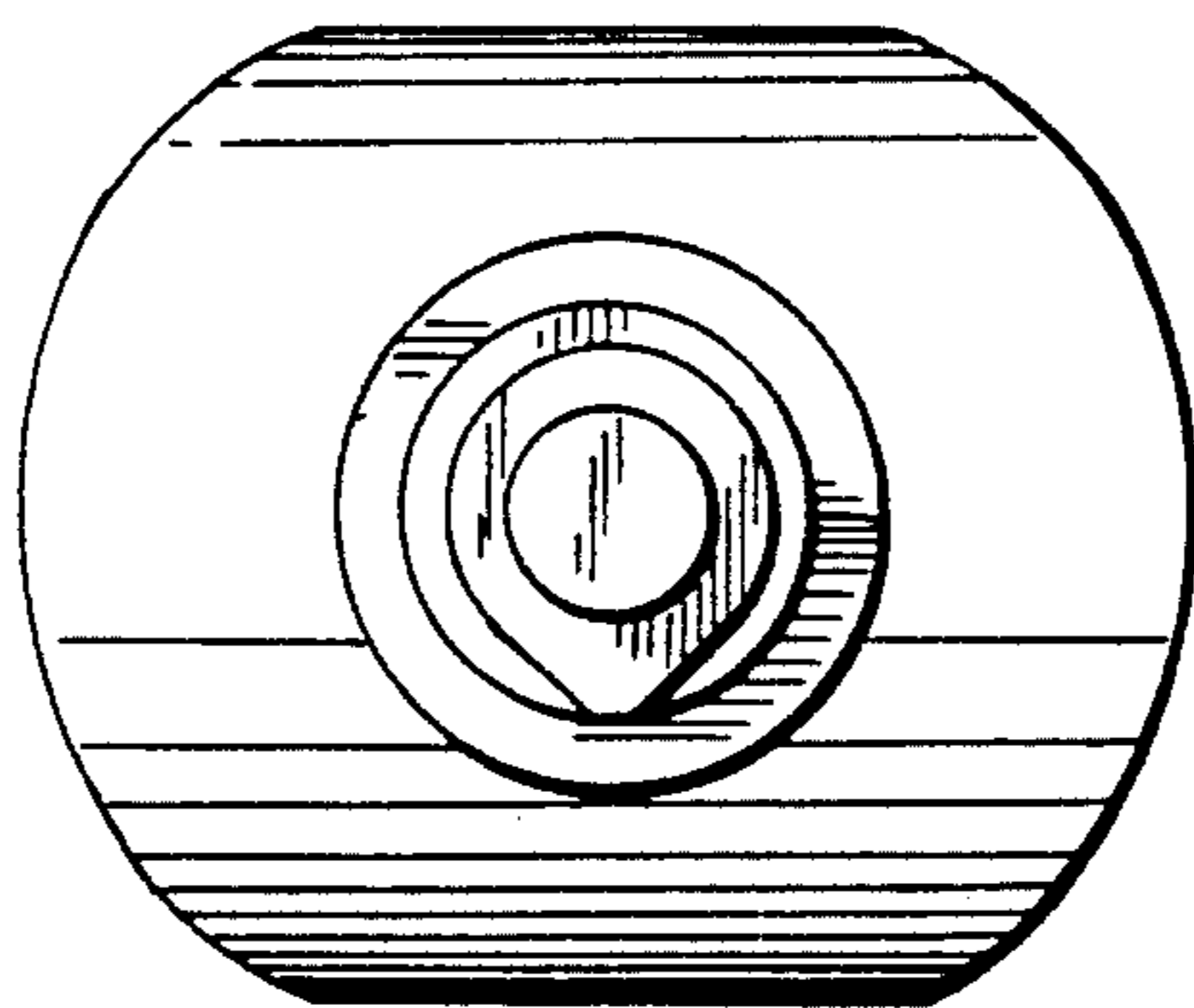


FIG. 2

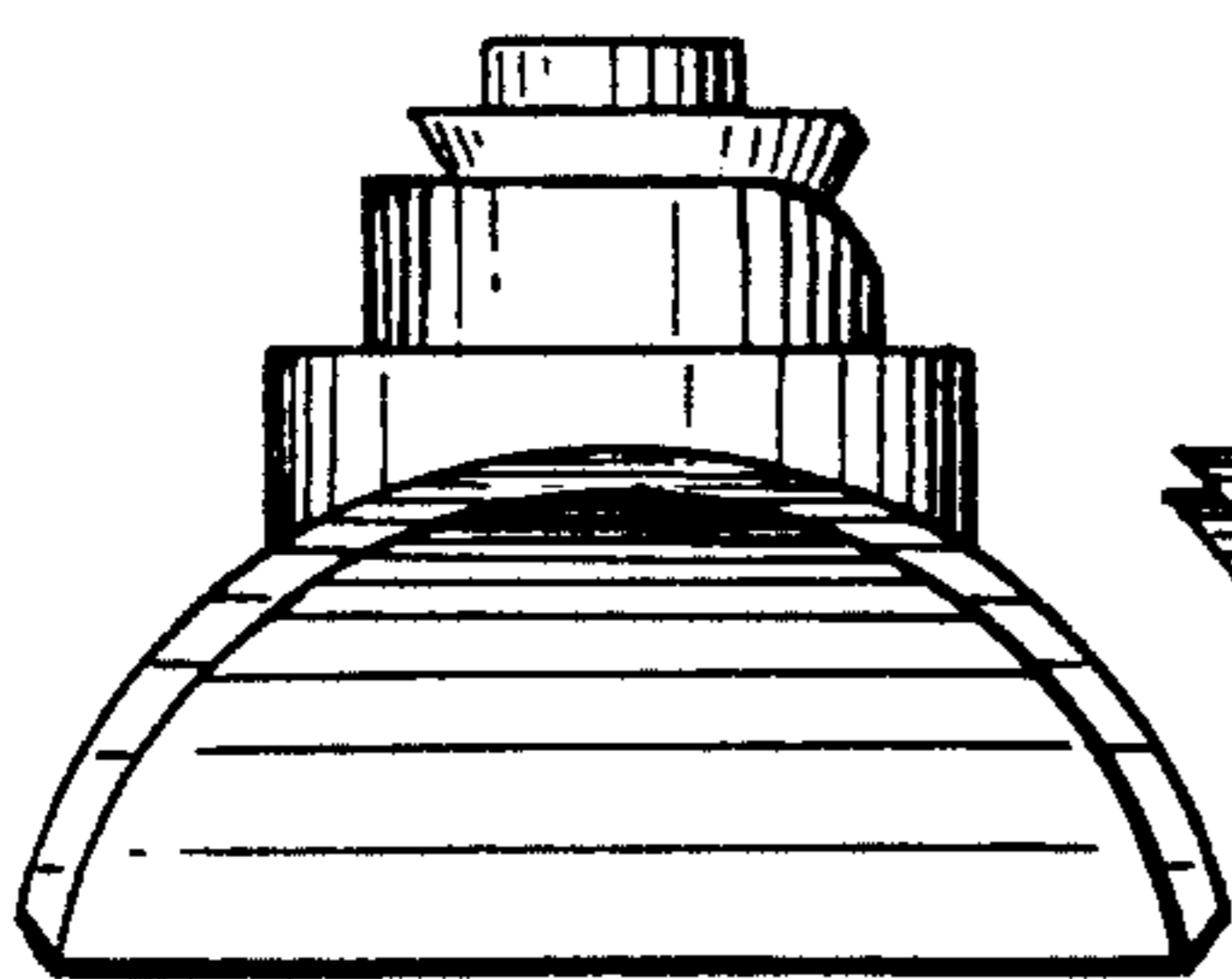


FIG. 4

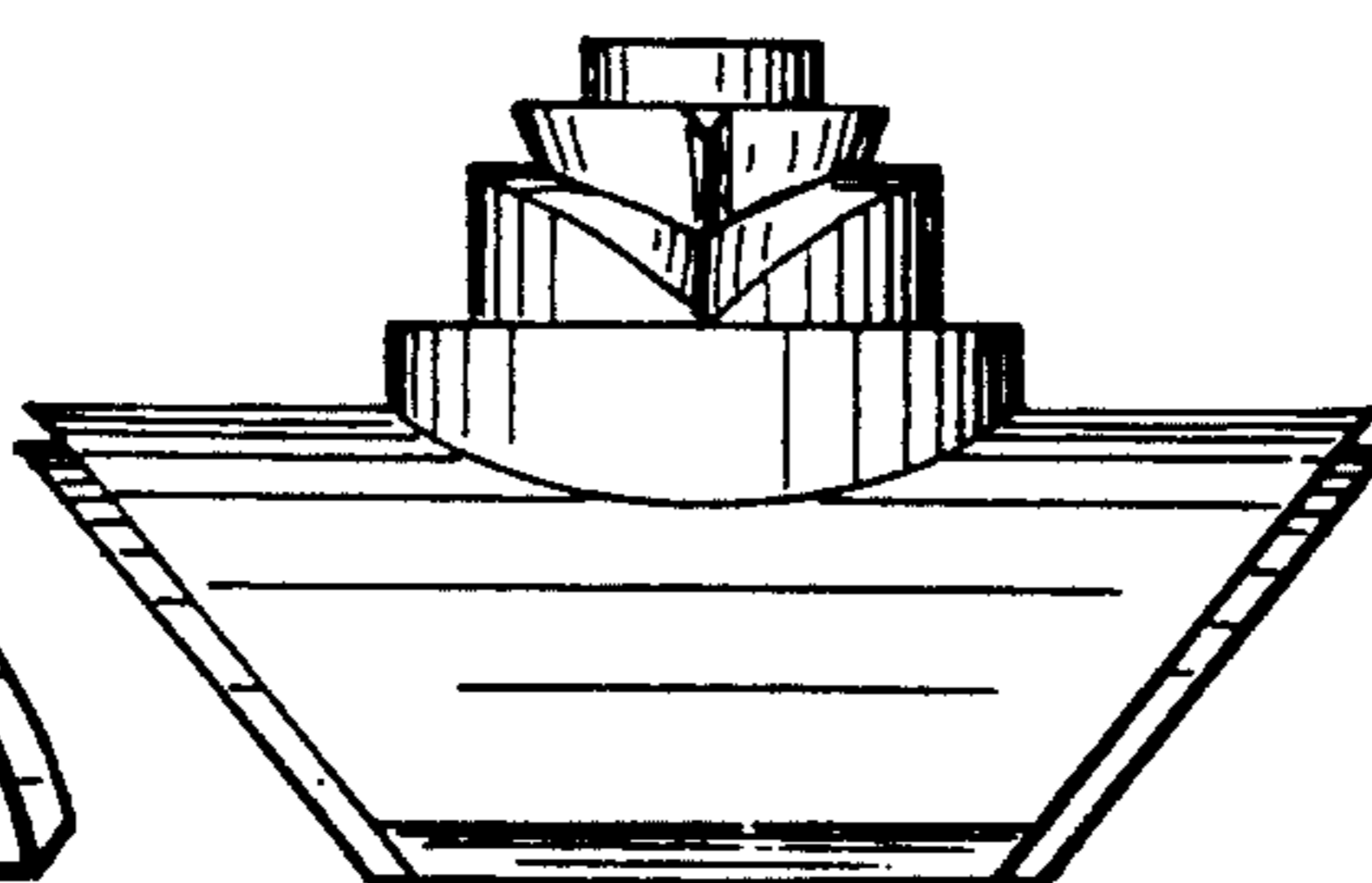


FIG. 3

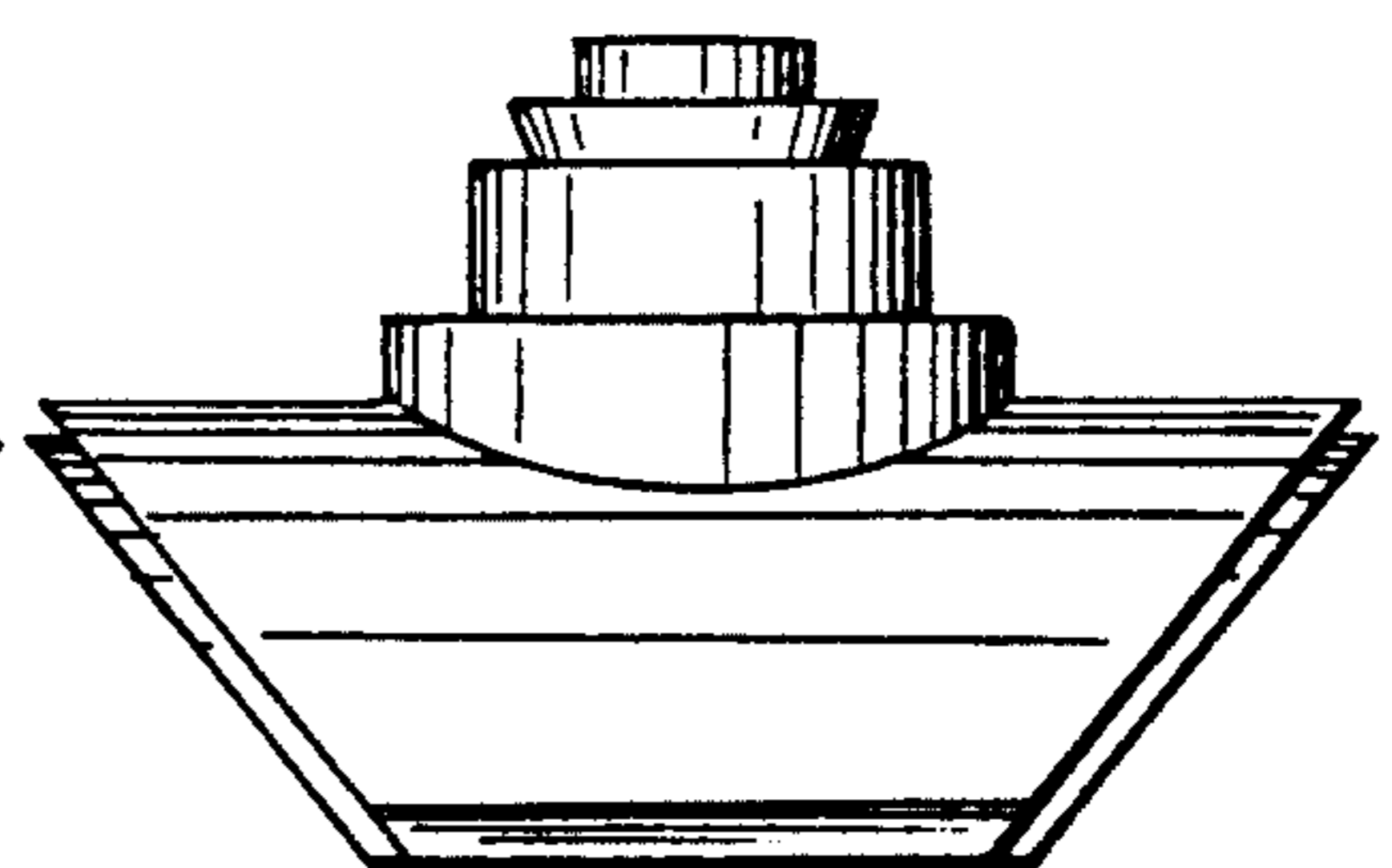


FIG. 5

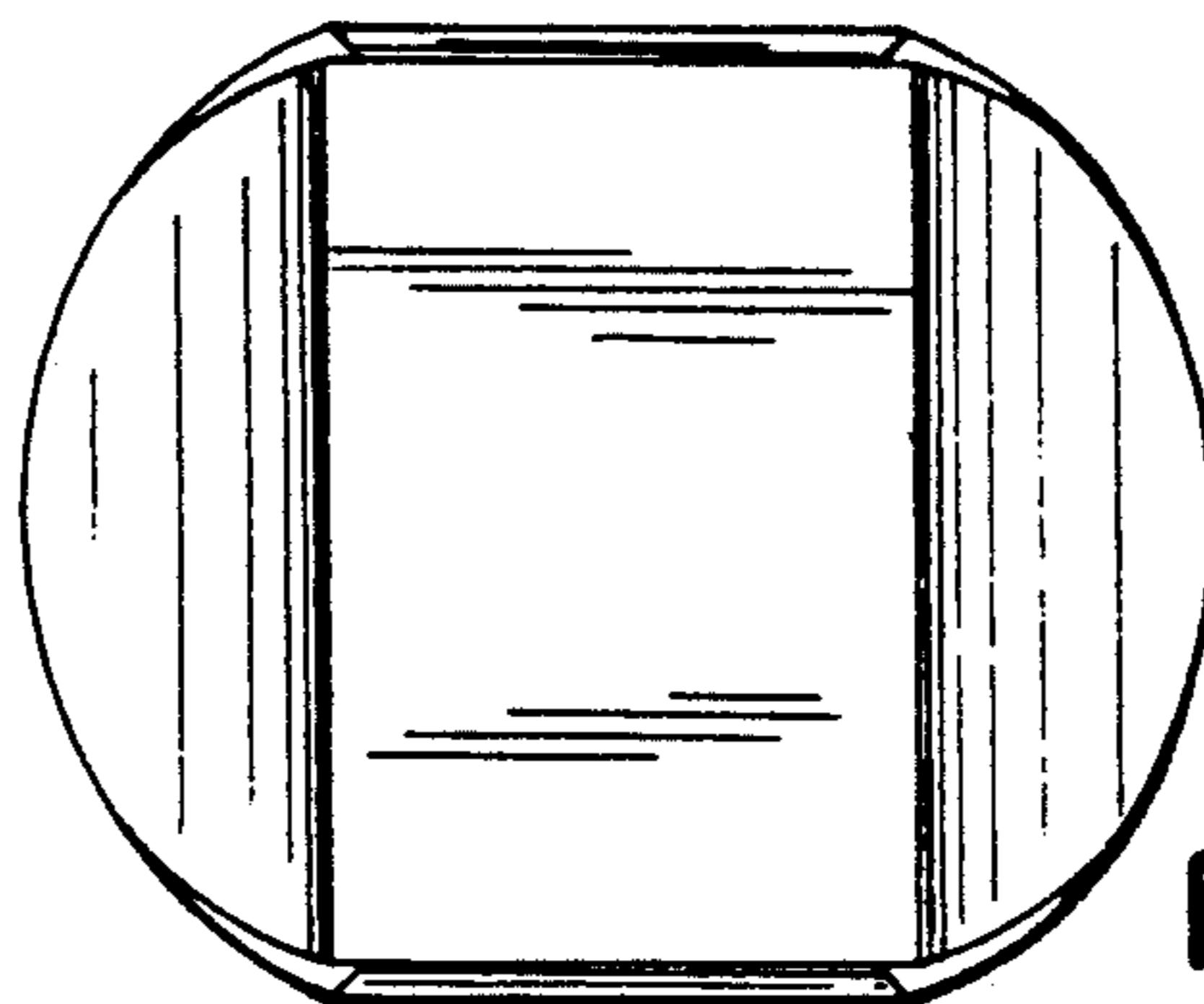


FIG. 6