



US00D334135S

# United States Patent [19]

[11] Patent Number: **Des. 334,135**

Fraker et al.

[45] Date of Patent: **\*\* Mar. 23, 1993**

[54] **SUPPORT BRACKET FOR DRAPERY RINGS**

[75] Inventors: **Stuart R. Fraker**, Arlington; **Michael R. Loupe**, Fort Worth; **Kitty M. Milliorn**, Arlington, all of Tex.

[73] Assignee: **Home Furnishing Discount Club of America, Inc.**, Arlington, Tex.

[\*\*] Term: **14 Years**

[21] Appl. No.: **734,321**

[22] Filed: **Jul. 18, 1991**

[52] U.S. Cl. .... **D8/363; D8/381**

[58] Field of Search ..... **D8/349, 354, 381, 363; D6/324-325, 327; 248/297.1, 244-246, 97-99; 211/87, 88**

[56] **References Cited**

**U.S. PATENT DOCUMENTS**

- D. 201,810 8/1965 Castellano ..... D8/363
- D. 229,032 11/1973 Ferdinand et al. .... D8/381
- D. 266,482 10/1982 Goldstein ..... D8/381

- D. 284,608 7/1986 Hampton ..... D8/381 X
- 4,170,335 10/1979 King ..... 248/297.2 X
- 4,421,289 12/1983 Sturm ..... 248/246
- 4,538,784 9/1985 O'Flanagan ..... 248/297.2 X
- 4,901,965 2/1990 Bowman ..... 248/297.2 X

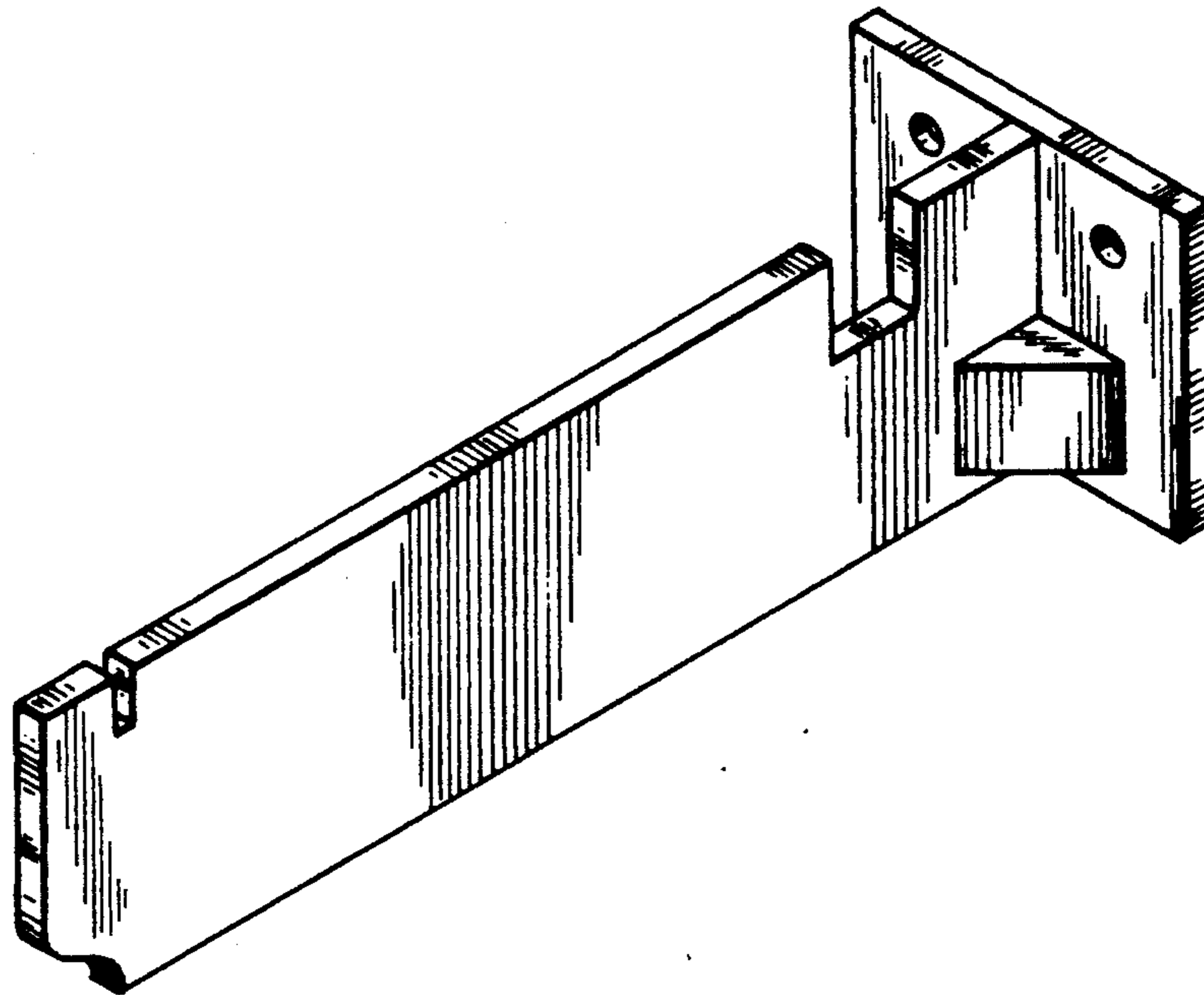
*Primary Examiner*—Wallace R Burke  
*Assistant Examiner*—H. Baynham  
*Attorney, Agent, or Firm*—L. Dan Tucker

[57] **CLAIM**

The ornamental design for a support bracket for drapery rings, as shown and described.

**DESCRIPTION**

FIG. 1 is a perspective view of a support bracket for drapery rings showing my new design; FIG. 2 is a side elevational view thereof, it being understood that the side elevational view of the opposite side is a mirror image of FIG. 2; FIG. 3 is a rear elevational view thereof; FIG. 4 is a front elevational view thereof; FIG. 5 is a top plan view thereof; and, FIG. 6 is a bottom plan view thereof.



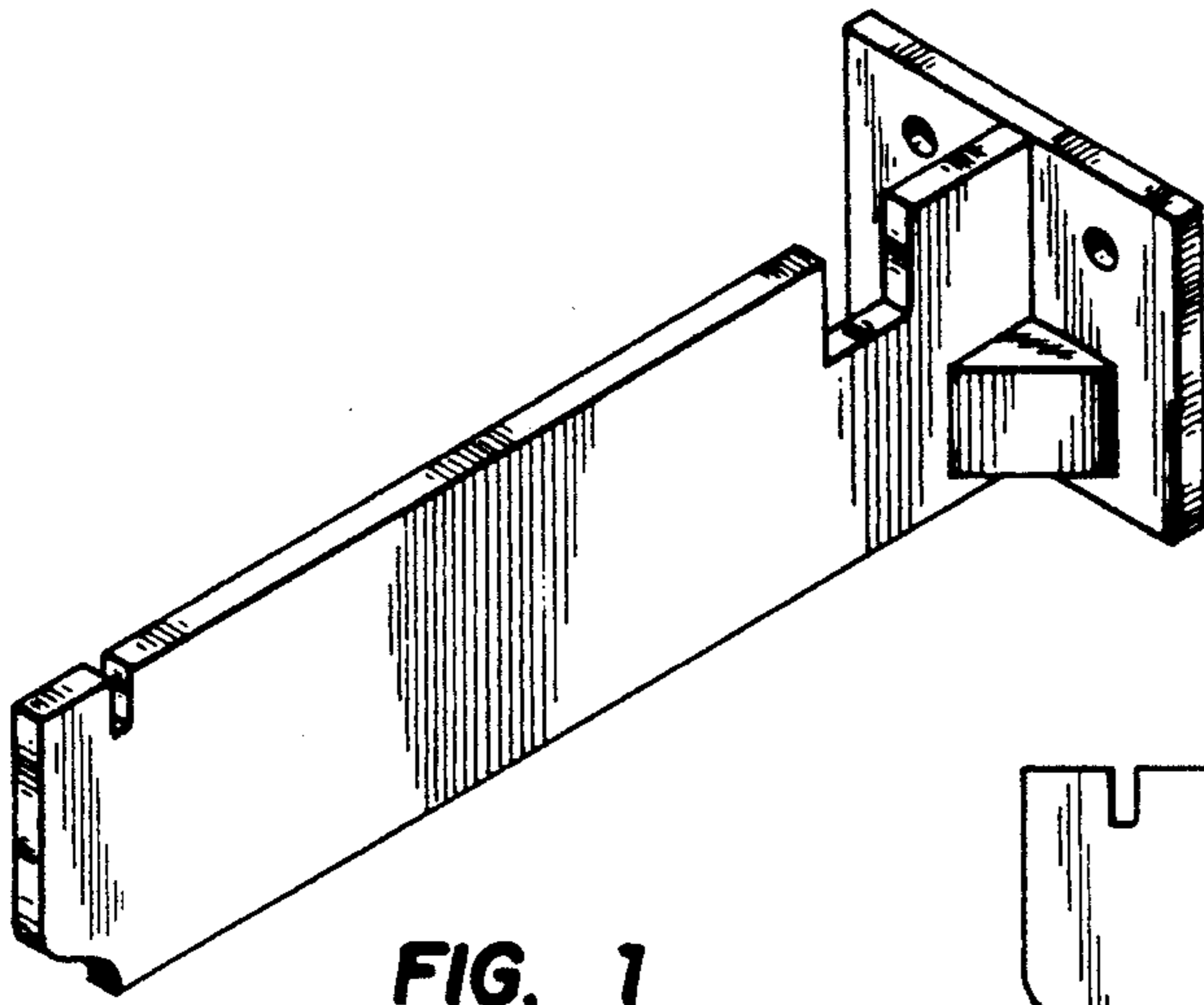


FIG. 1

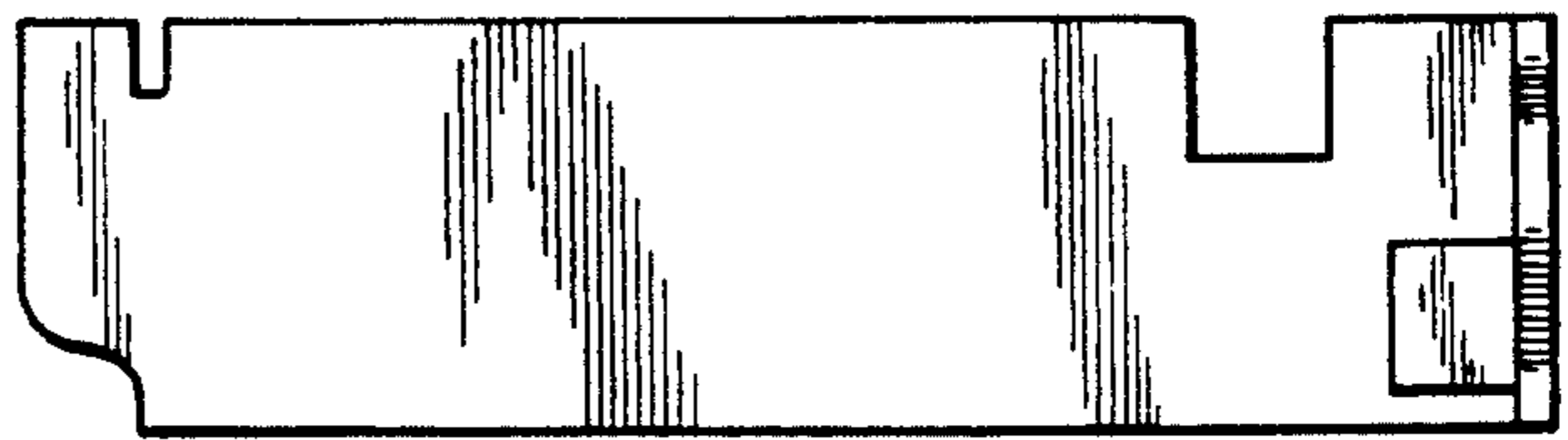


FIG. 2

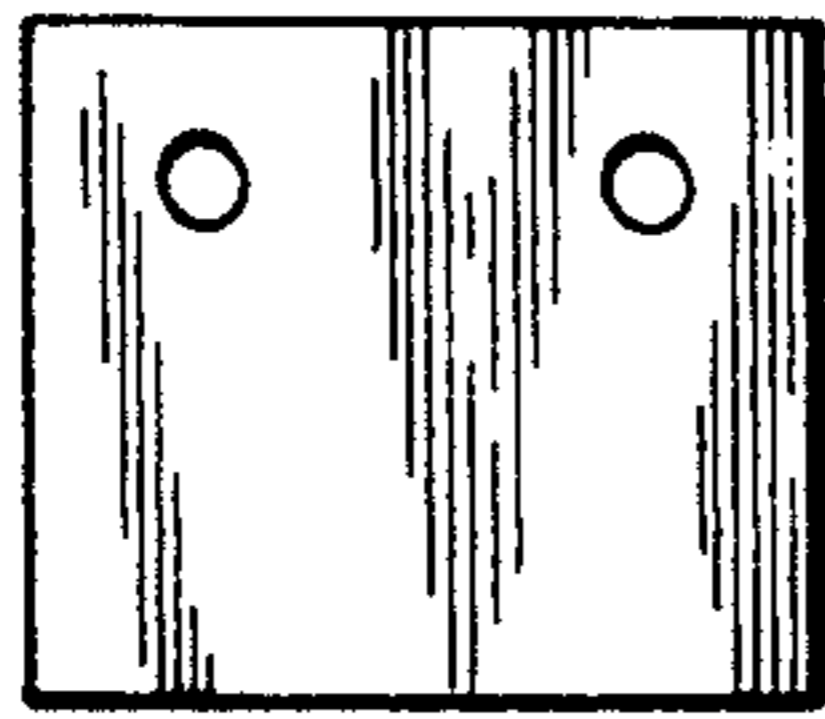


FIG. 3

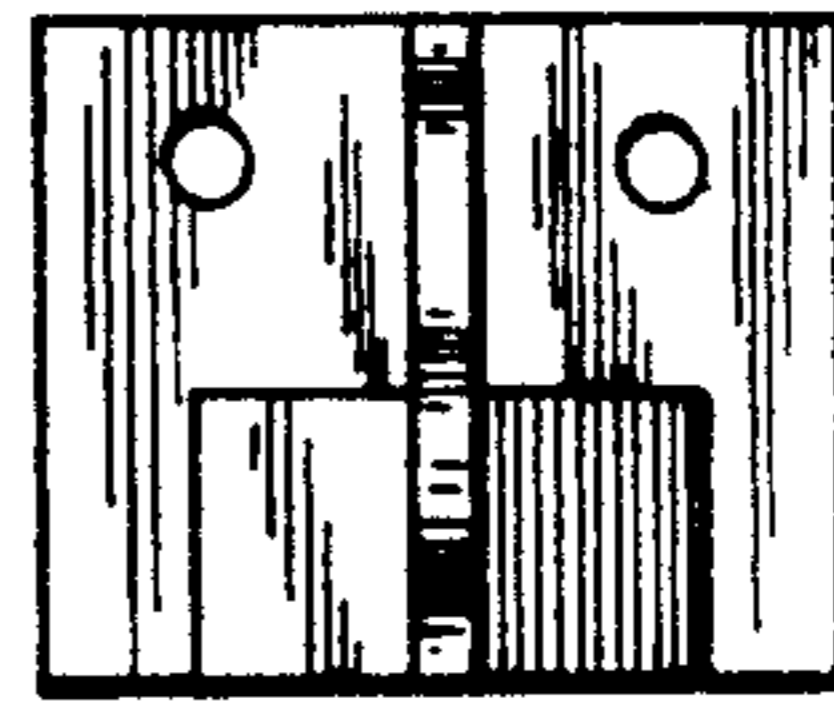


FIG. 4

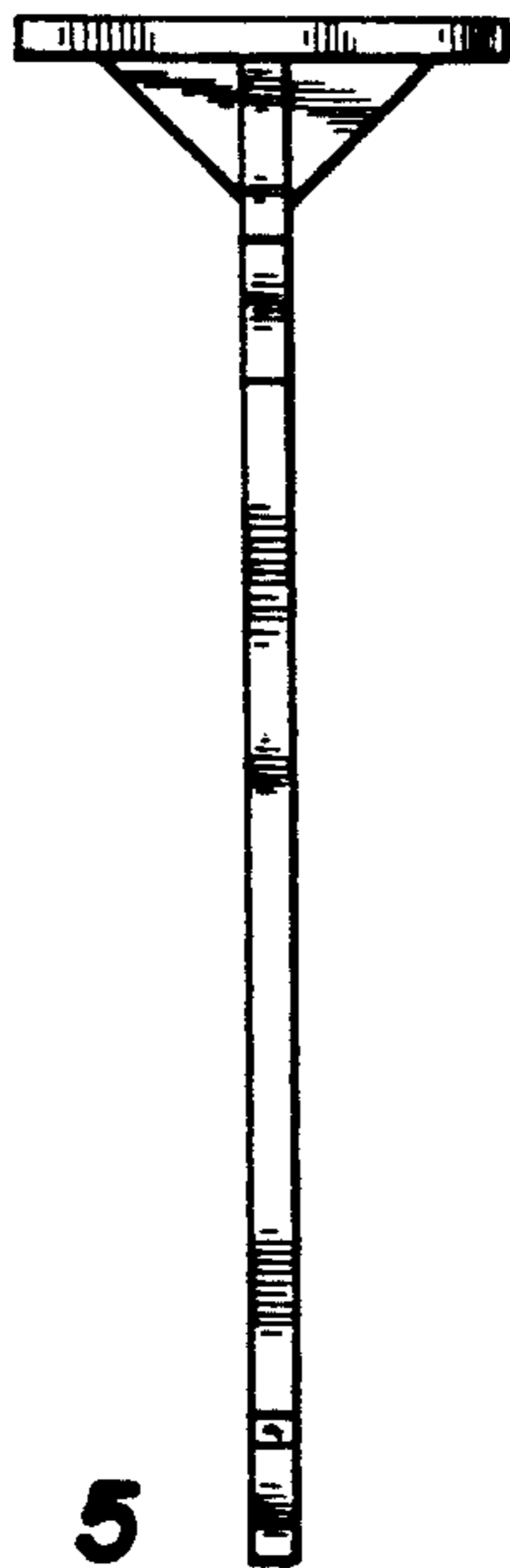


FIG. 5

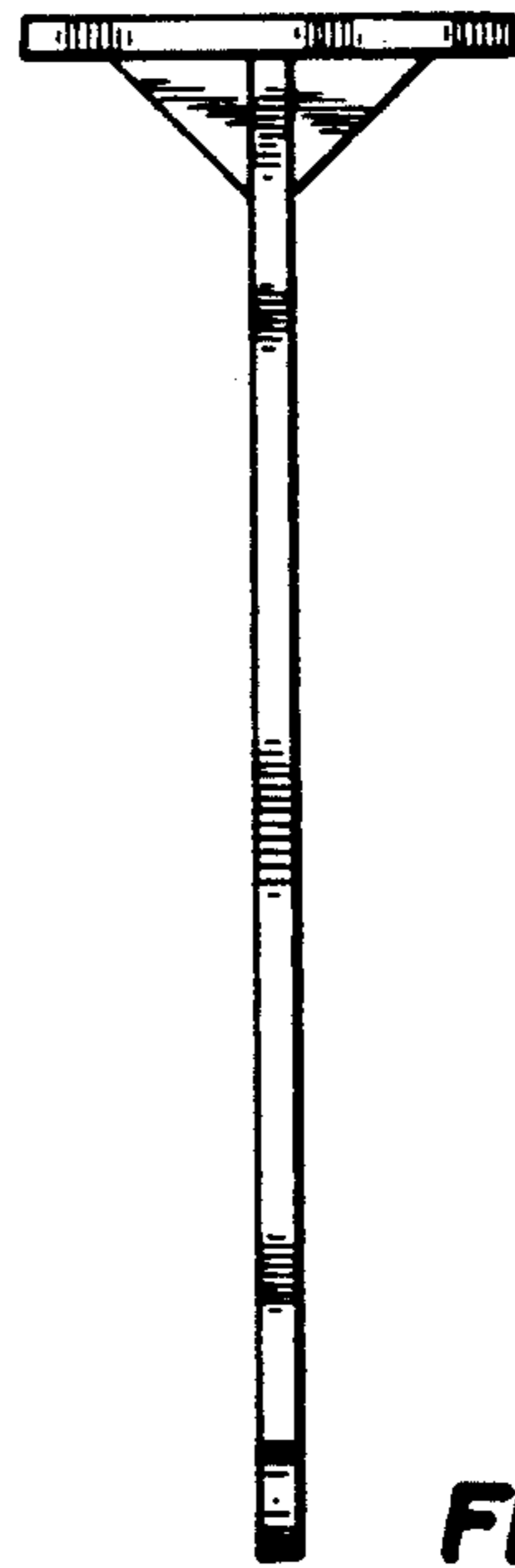


FIG. 6