



US00D334129S

United States Patent [19]
Ishikawa

[11] **Patent Number: Des. 334,129**
[45] **Date of Patent: ** Mar. 23, 1993**

[54] **PIVOT HINGE**

[75] **Inventor: Masayoshi Ishikawa, Kurobe, Japan**

[73] **Assignee: YKK Architectural Products, Inc.,
Tokyo, Japan**

[**] **Term: 14 Years**

[21] **Appl. No.: 583,719**

[22] **Filed: Sep. 17, 1990**

[30] **Foreign Application Priority Data**

Mar. 22, 1990 [JP] Japan 2-9641
[52] **U.S. Cl. D8/323**
[58] **Field of Search D8/323; 16/221, 247,
16/309, 312**

[56] **References Cited**

U.S. PATENT DOCUMENTS

D. 285,043	8/1986	Takasaki	D8/323
D. 299,418	1/1989	Takahashi	D8/323
2,297,023	9/1942	Phelan	16/309
3,545,032	12/1970	Dielman	16/312
3,733,650	5/1973	Douglas	16/312
3,832,755	9/1974	Maertin	16/309

Primary Examiner—B. J. Bullock

[57] **CLAIM**

The ornamental design for a pivot hinge, as shown.

DESCRIPTION

FIG. 1 is a rear view of a pivot hinge showing my new design;
FIG. 2 is a front view thereof;
FIG. 3 is a top view thereof;
FIG. 4 is a bottom view thereof;
FIG. 5 is a right side view thereof; and,
FIG. 6 is a left side view thereof.

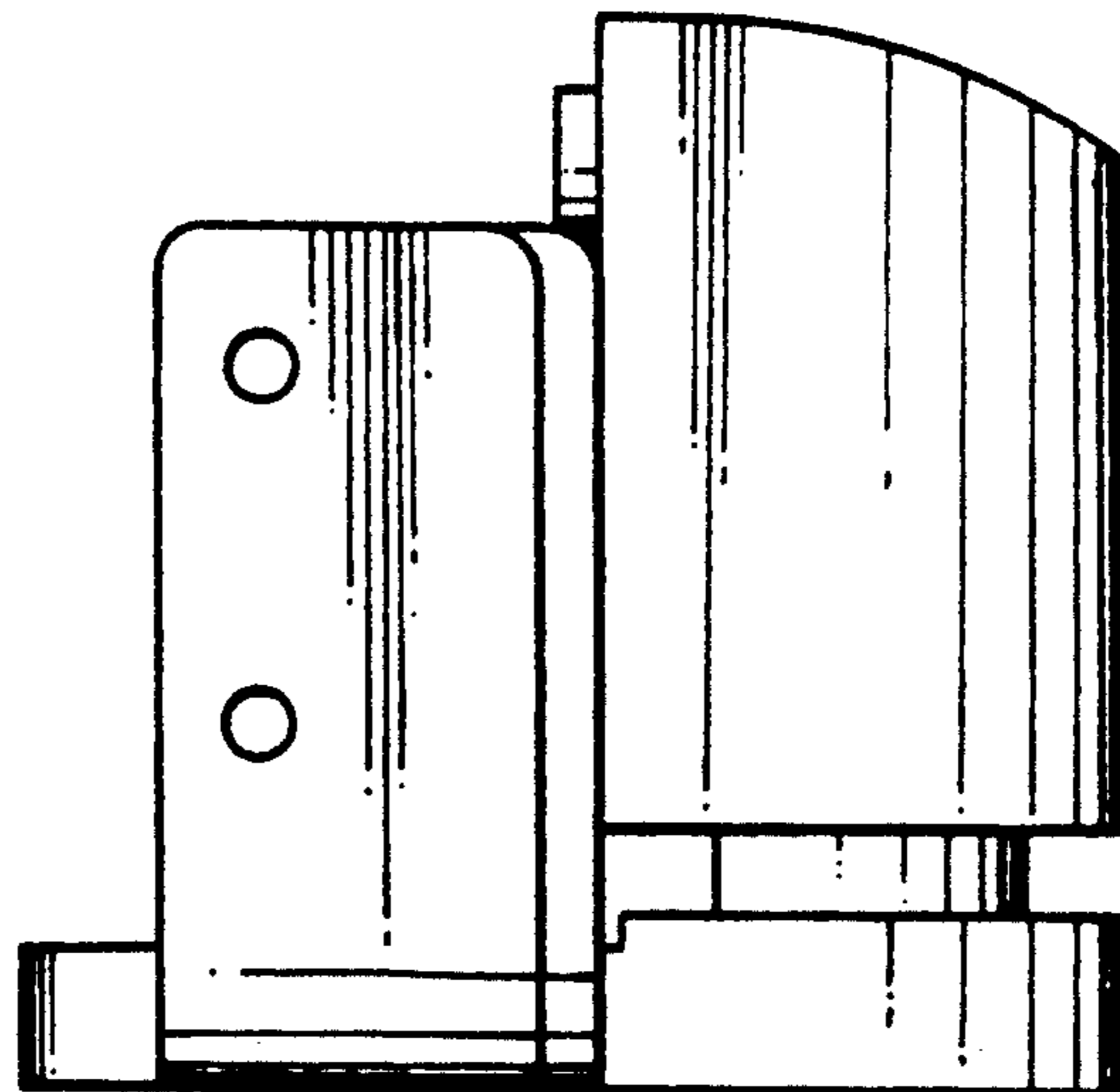
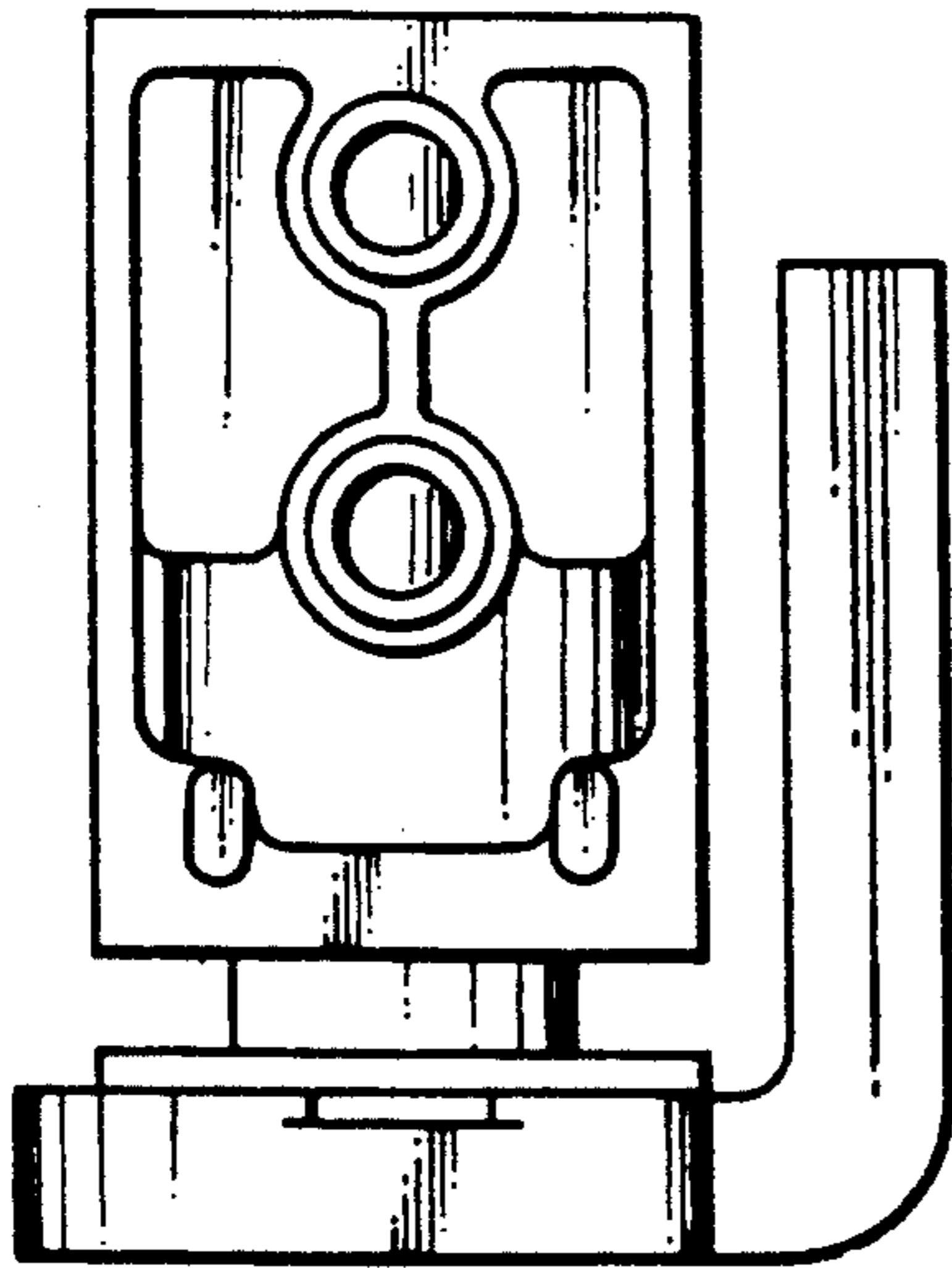


FIG. 1

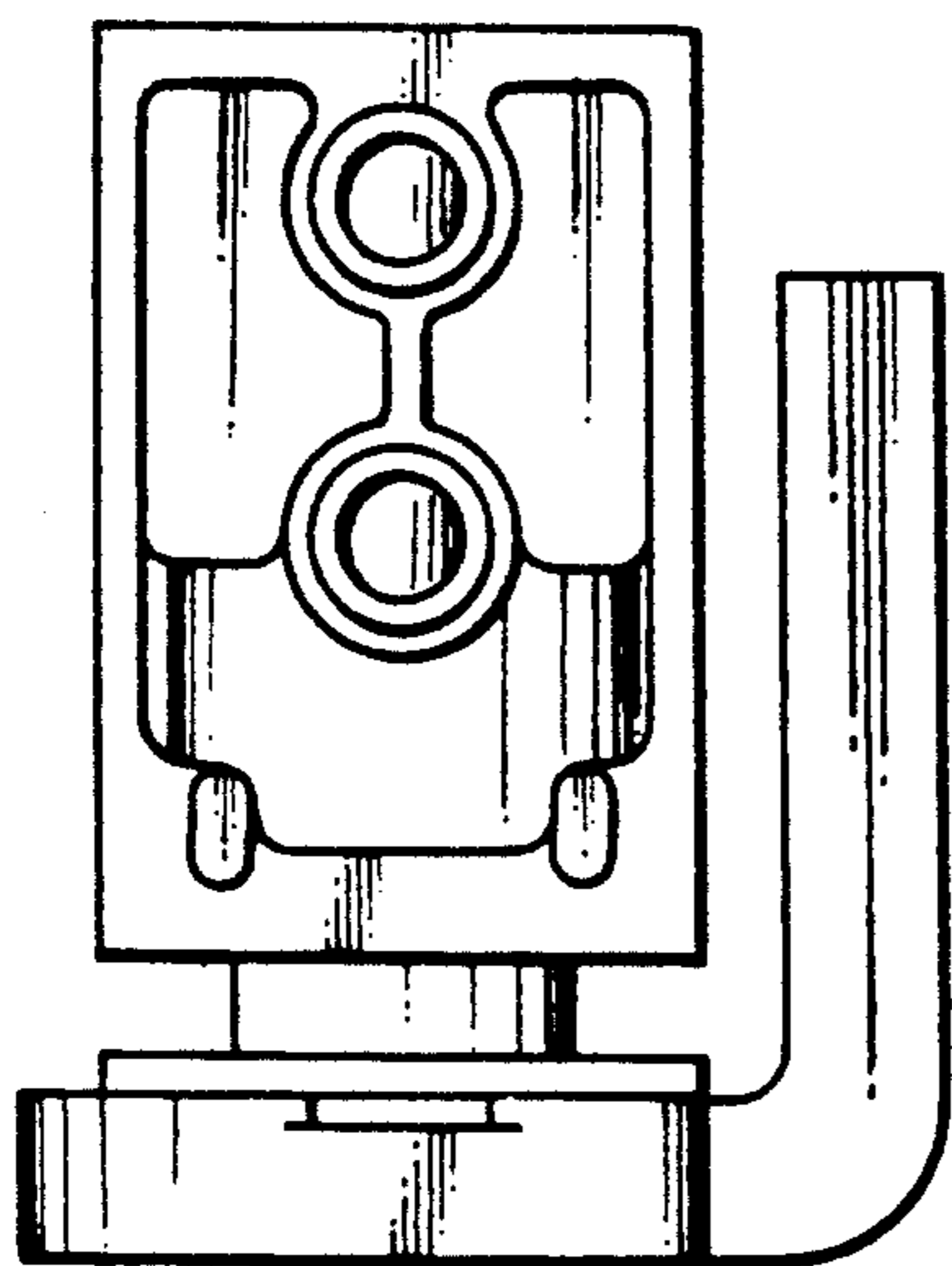


FIG. 2

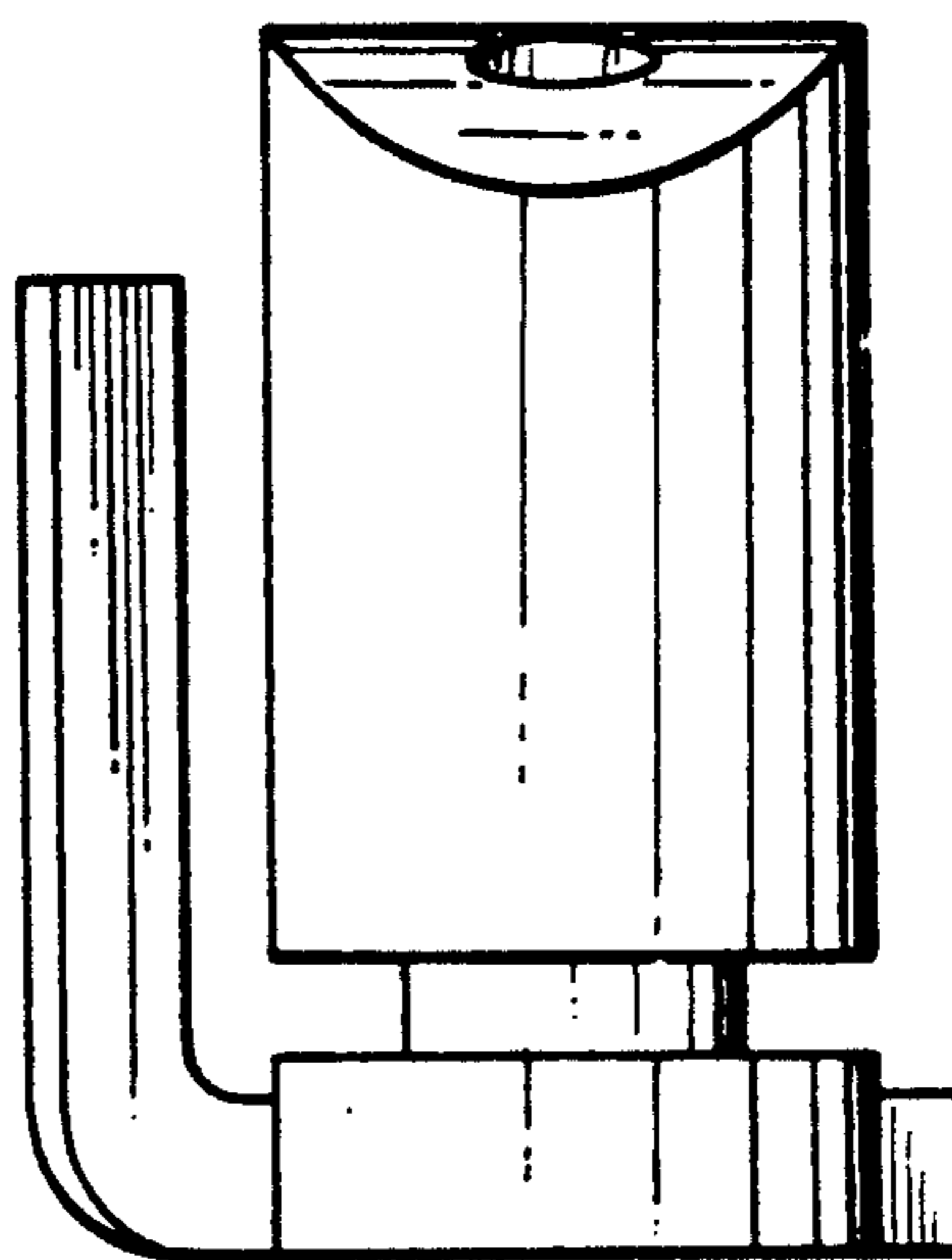


FIG. 3

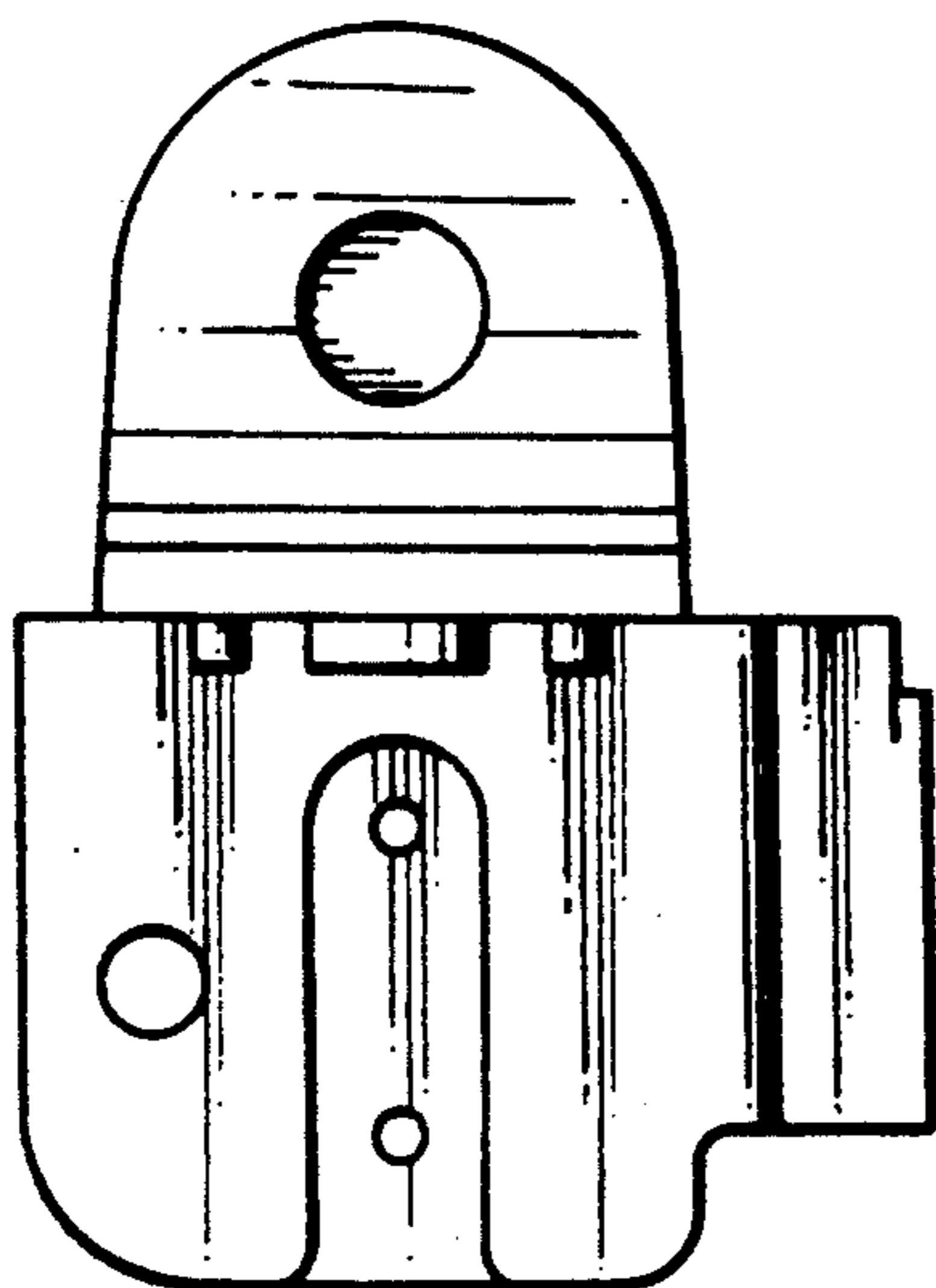


FIG. 4

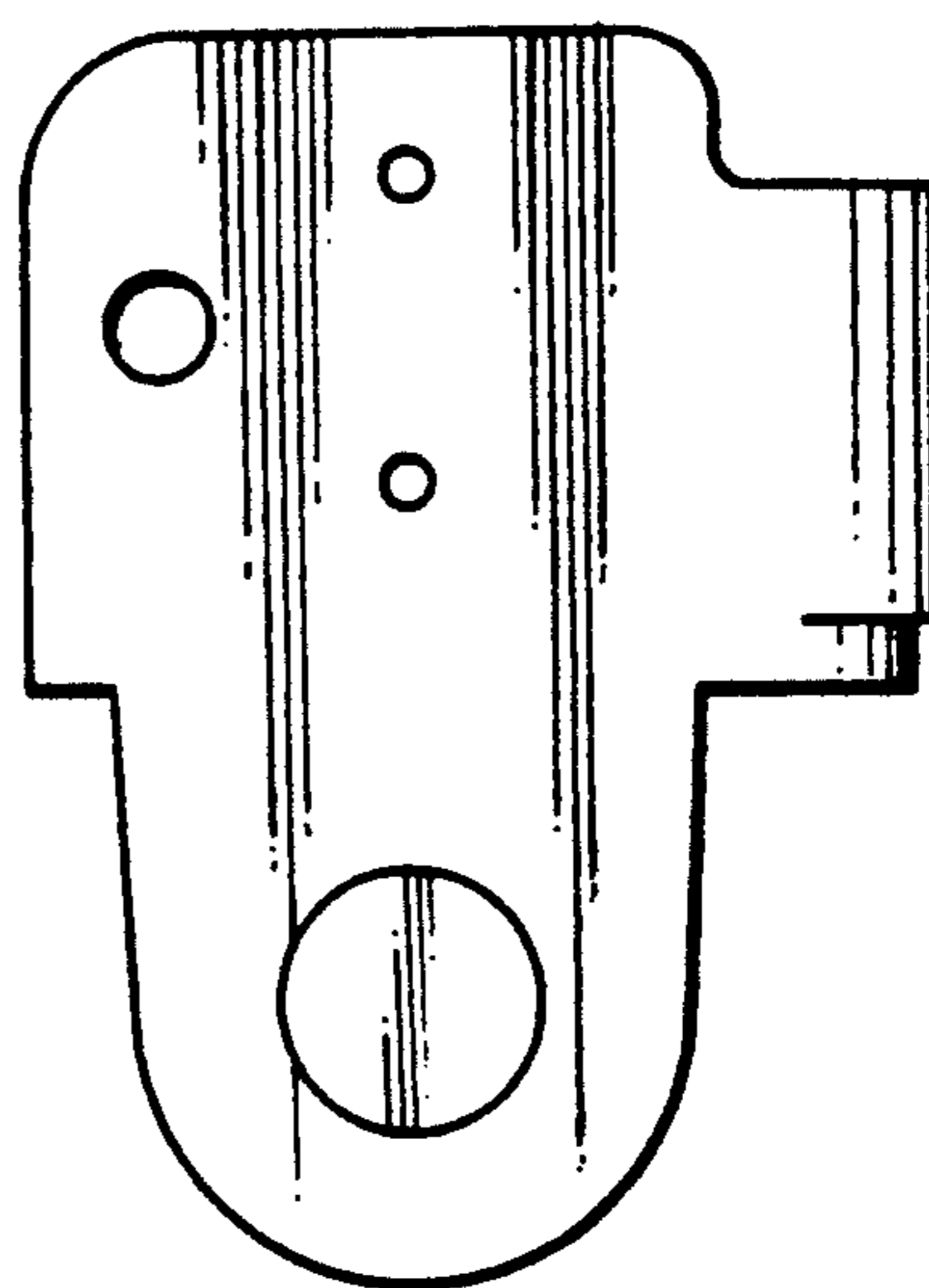


FIG. 5

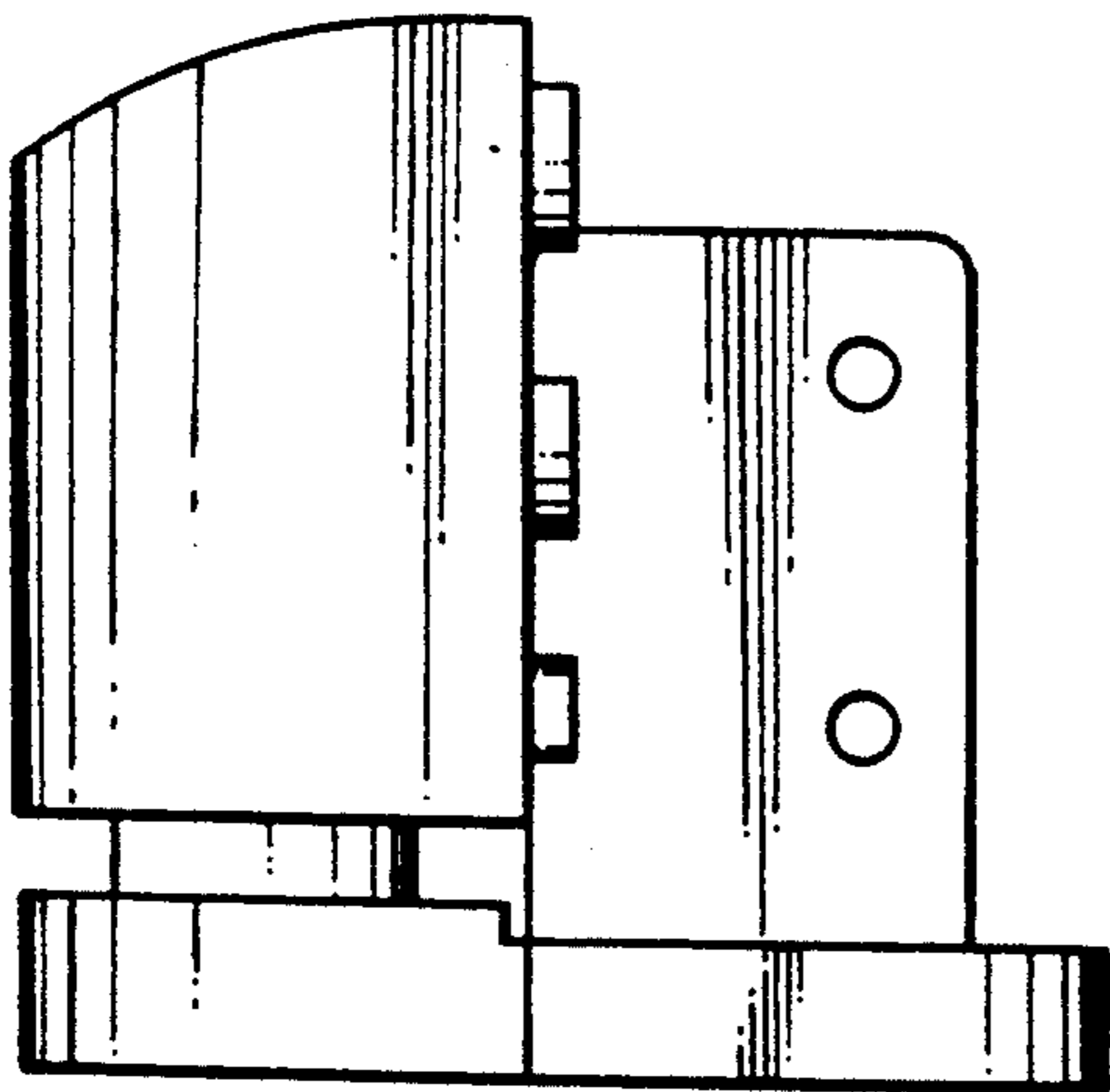


FIG. 6

