



US00D334125S

# United States Patent [19]

[11] Patent Number: **Des. 334,125**

**Izumisawa**

[45] Date of Patent: **\*\* Mar. 23, 1993**

[54] **PNEUMATIC SOCKET WRENCH**

[75] Inventor: **Osamu Izumisawa, Tokyo, Japan**

[73] Assignee: **Shinano Pneumatic Industries, Inc., Kamiminouchi, Japan**

[\*\*] Term: **14 Years**

[21] Appl. No.: **645,007**

[22] Filed: **Jan. 23, 1991**

4,680,994	7/1987	Singleton	81/57.29
4,791,836	12/1988	D'Haem et al.	81/57.39
4,821,611	4/1989	Izumisawa	81/464
4,854,197	8/1989	Walton	81/57.39
4,987,803	1/1991	Chern	81/57.39

### OTHER PUBLICATIONS

ATD Tools Corp.; Aug./Sep. 1990 Catalog; p. 10.

*Primary Examiner*—Alan P. Douglas  
*Assistant Examiner*—J. H. Musgrove  
*Attorney, Agent, or Firm*—Senniger, Powers, Leavitt & Roedel

### Related U.S. Application Data

[63] Continuation-in-part of Ser. No. 573,668, Aug. 27, 1990.

[52] U.S. Cl. .... **D8/61**

[58] Field of Search ..... D8/25, 61; 81/54, 57, 81/57.13, 57.14, 57.39; 408/120-125; 173/170

### [57] CLAIM

The ornamental design for a pneumatic socket wrench, as shown and described.

### [56] References Cited

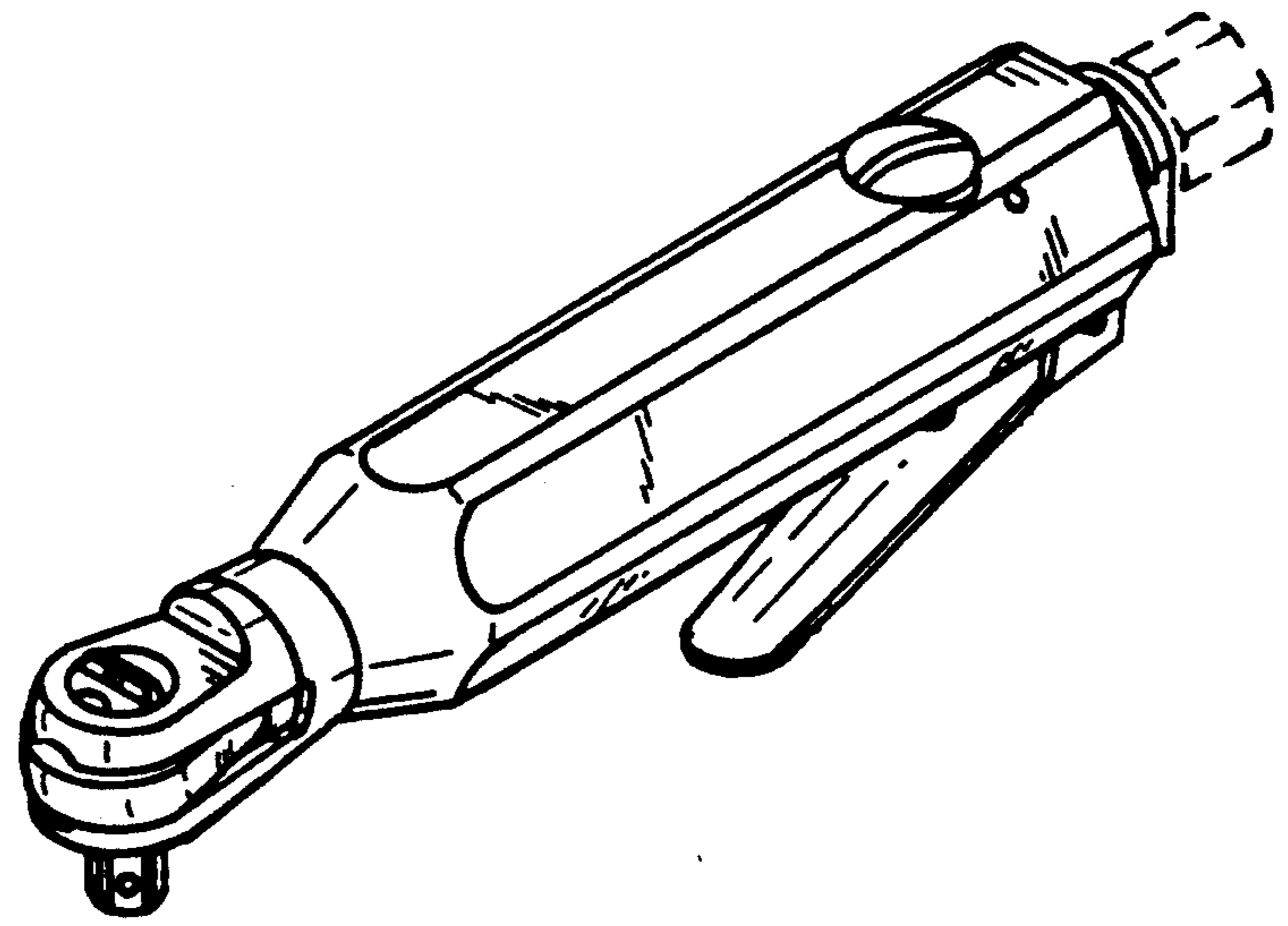
#### U.S. PATENT DOCUMENTS

D. 269,938	8/1983	Izumisawa	D8/61
D. 278,025	3/1985	Fleischer, Jr.	D8/61
D. 278,407	4/1985	Fleischer, Jr.	D8/61
D. 289,135	4/1987	Doman	D8/61
D. 326,804	6/1992	Schultz	D8/61
D. 327,617	7/1992	Fisher	D8/61
4,016,684	4/1977	Urda	51/170 T
4,346,630	8/1982	Hanson	81/57.13
4,586,406	5/1986	Howard	D8/25

### DESCRIPTION

FIG. 1 is a perspective view of a pneumatic socket wrench showing my new design; FIG. 2 is a top plan view thereof; FIG. 3 is a left side elevational view thereof; FIG. 4 is a right side elevational view thereof; FIG. 5 is a rear elevational view thereof; FIG. 6 is a front elevational view thereof; and, FIG. 7 is a bottom plan view thereof.

The broken line showing of hose connecting nut is for illustrative purposes only and forms no part of the claimed design.



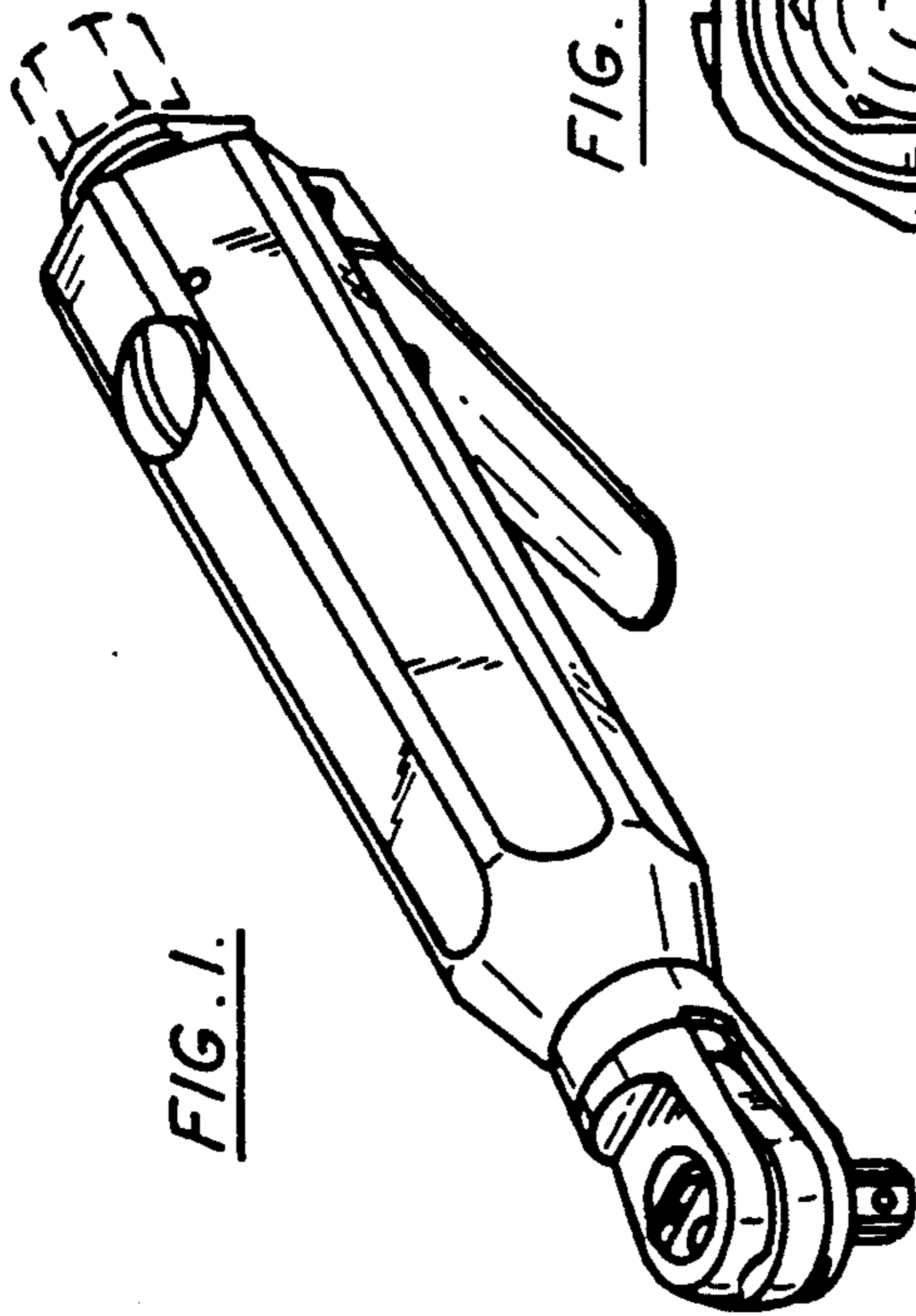


FIG. 1.

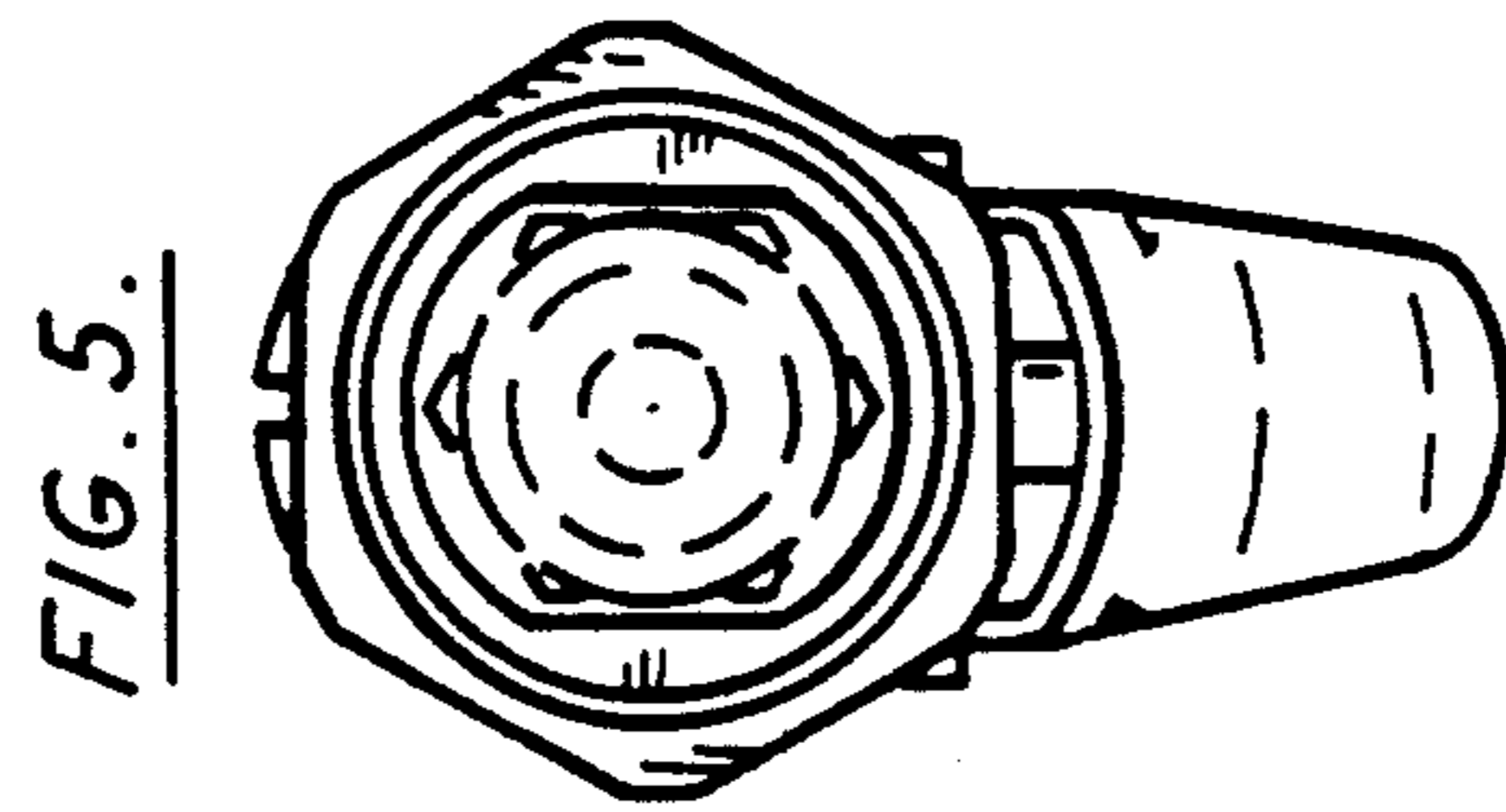


FIG. 5.

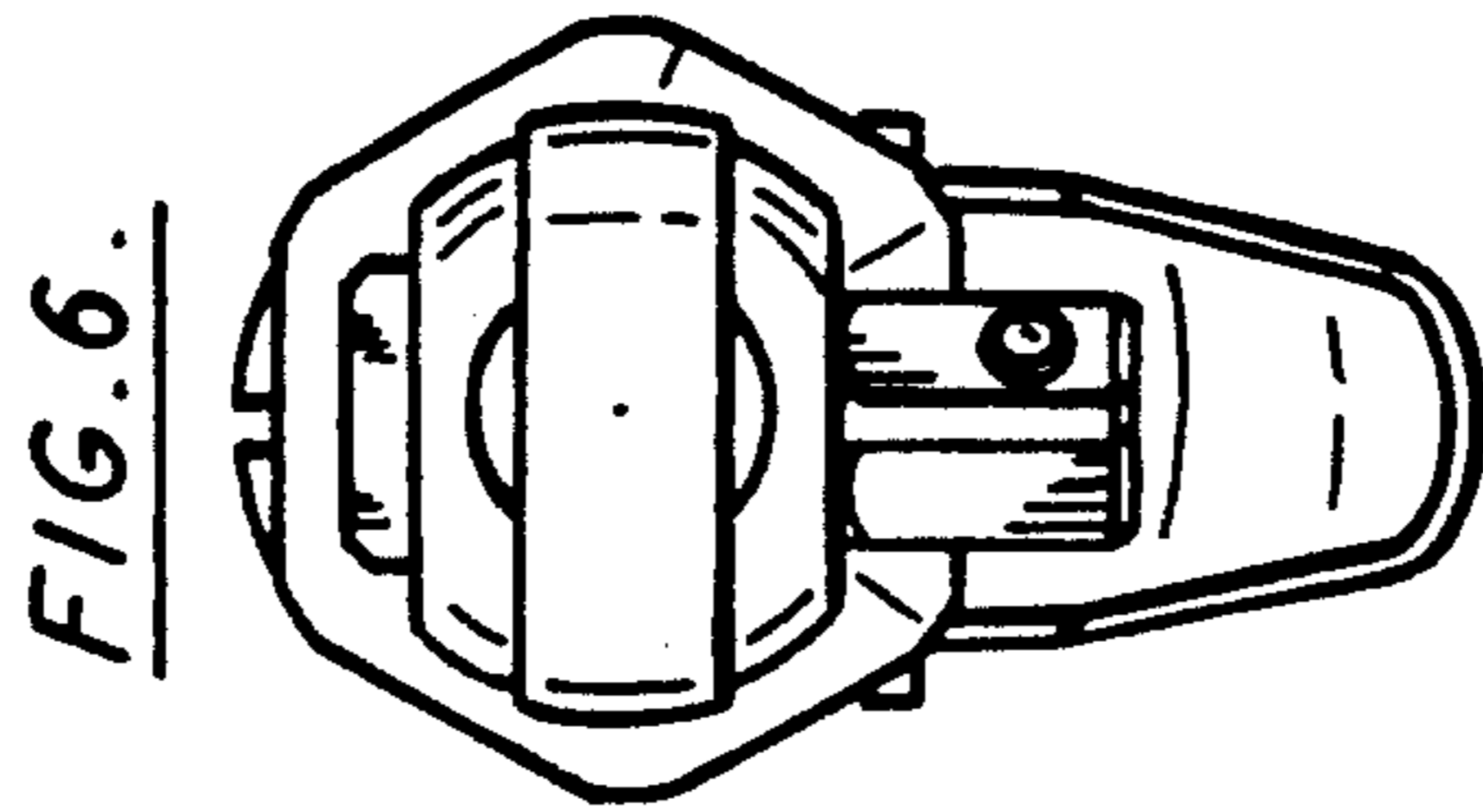


FIG. 6.



FIG. 7.

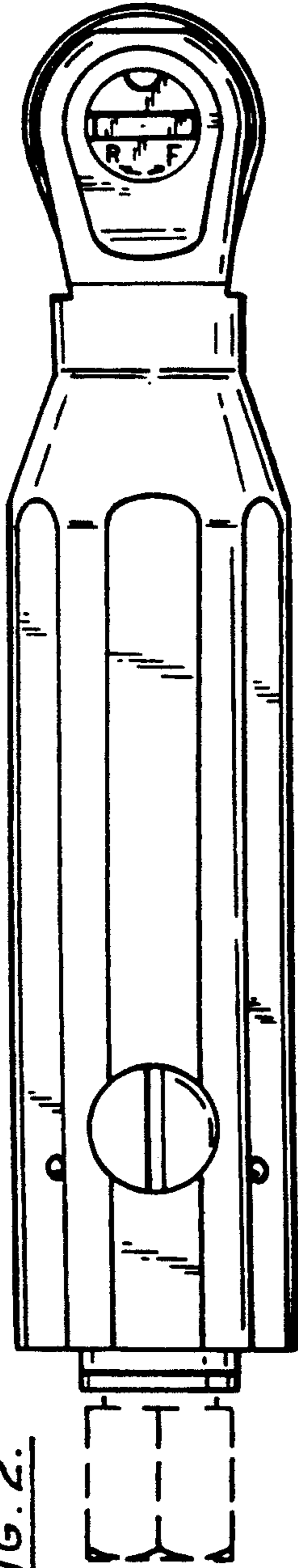


FIG. 2.

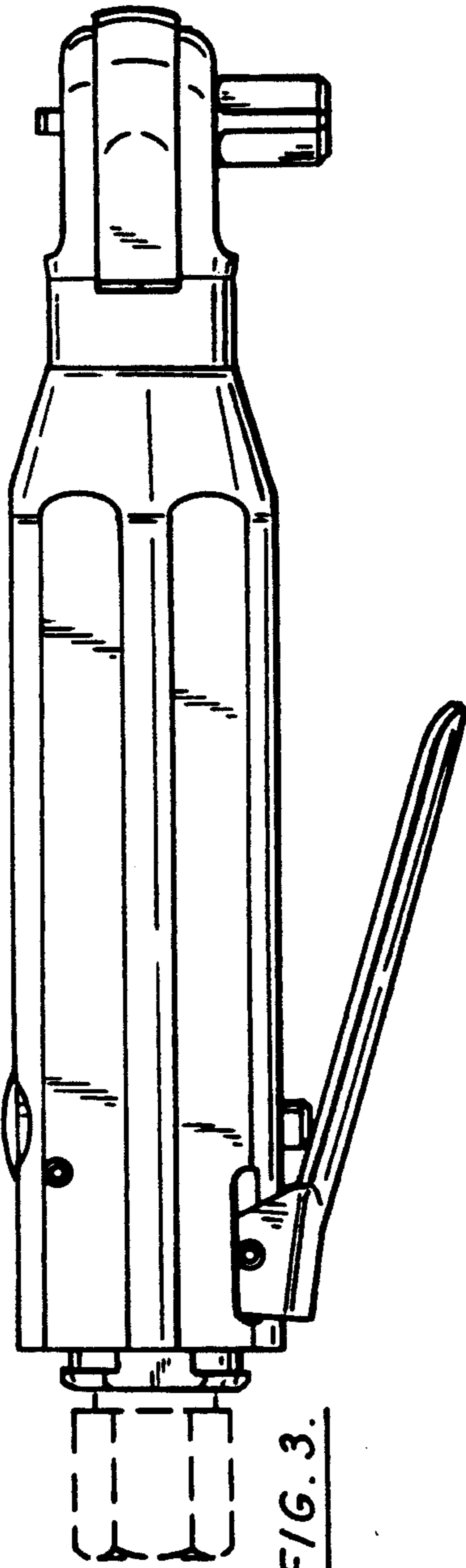


FIG. 3.

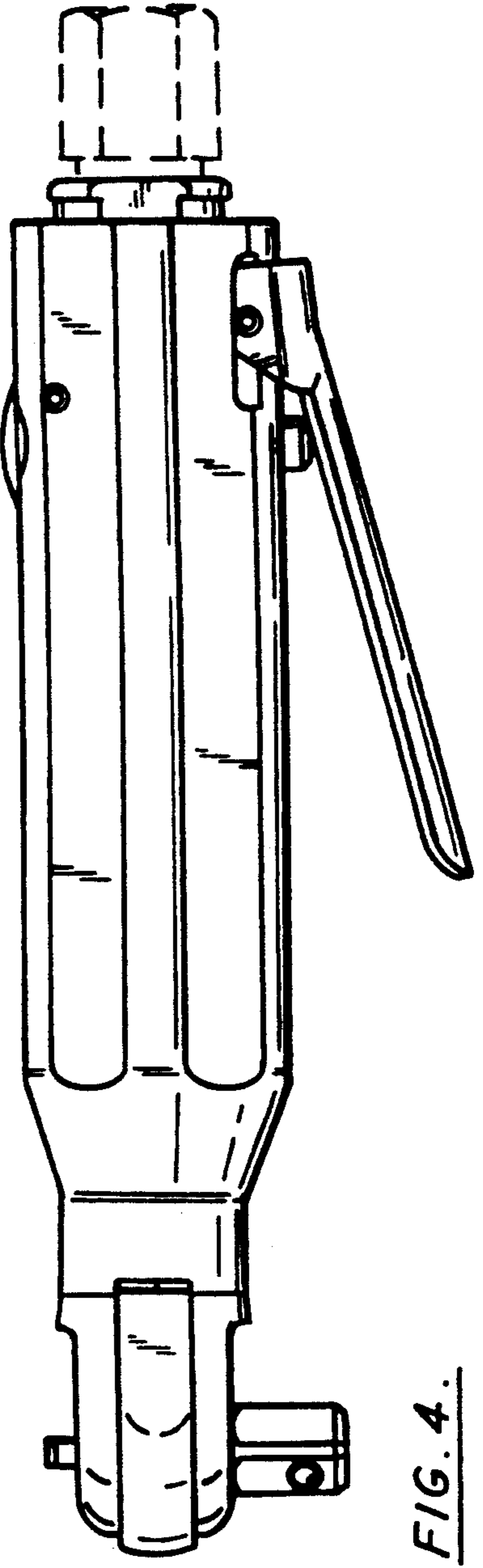


FIG. 4.