



US00D334124S

United States Patent [19]

[11] Patent Number: **Des. 334,124**

Izumisawa

[45] Date of Patent: **** Mar. 23, 1993**

[54] **PNEUMATIC SOCKET WRENCH**

[75] Inventor: **Osamu Izumisawa, Tokyo, Japan**

[73] Assignee: **Shinano Pneumatic Industries, Inc., Kamiminouchi, Japan**

[**] Term: **14 Years**

[21] Appl. No.: **573,668**

[22] Filed: **Aug. 27, 1990**

[52] U.S. Cl. **D8/61**

[58] Field of Search **D8/61; 81/54, 57, 57.11, 81/57.13, 57.14**

OTHER PUBLICATIONS

ATD Tools Corp.; Aug./Sep. 1990 Catalog; p. 10.

Primary Examiner—Alan P. Douglas

Assistant Examiner—Jeff Musgrove

Attorney, Agent, or Firm—Senniger, Powers, Leavitt & Roedel

CLAIM

[57] The ornamental design for a pneumatic socket wrench, as shown and described.

DESCRIPTION

FIG. 1 is a perspective view of a pneumatic socket wrench showing my new design;

FIG. 2 is a top plan view thereof;

FIG. 3 is a left side elevational view thereof;

FIG. 4 is a right side elevational view thereof;

FIG. 5 is a rear elevational view thereof;

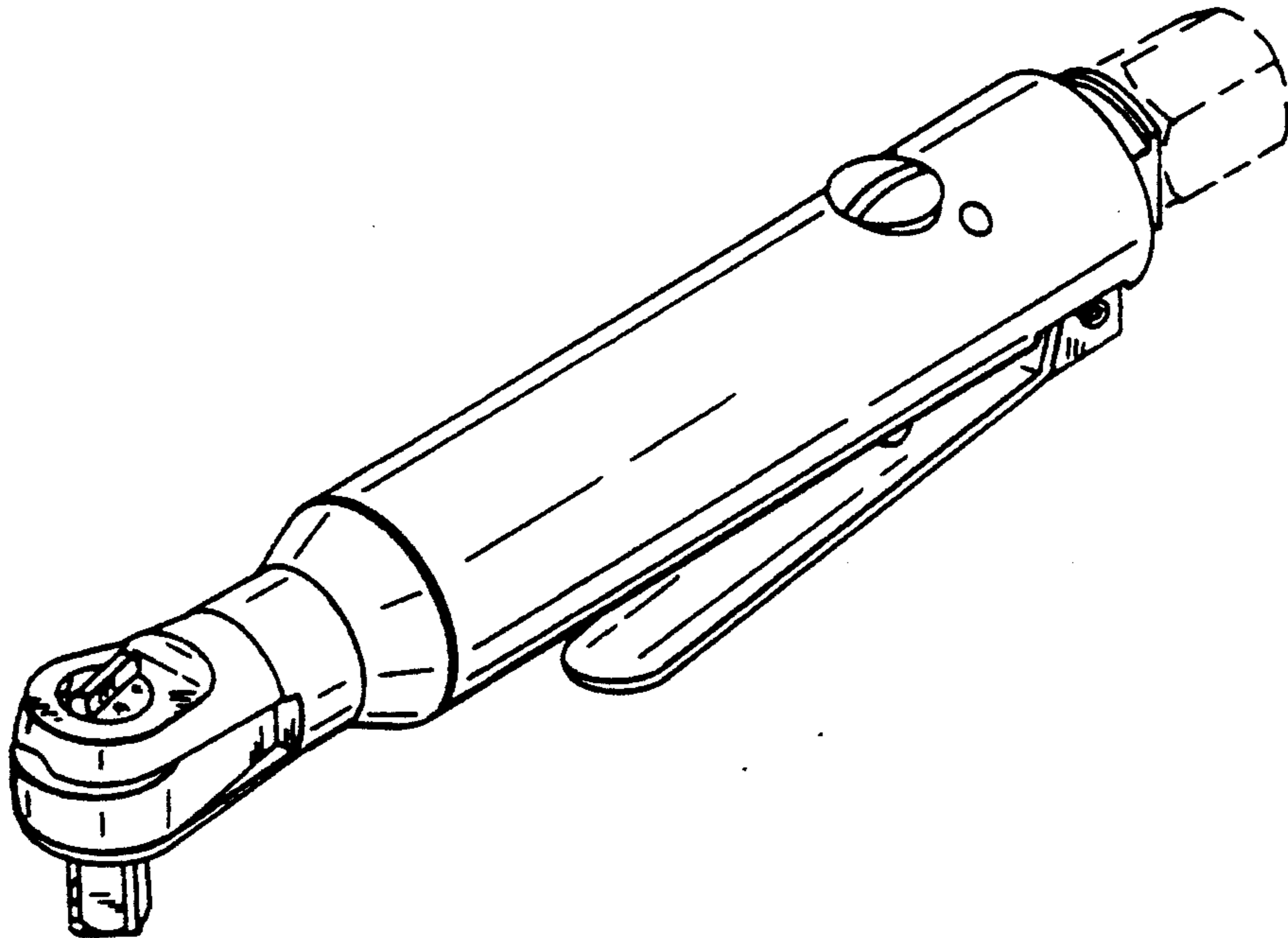
FIG. 6 is a front elevational view thereof; and,

FIG. 7 is a bottom plan view thereof.

[56] **References Cited**

U.S. PATENT DOCUMENTS

D. 214,776	7/1969	Schaedler	D8/61
D. 261,097	10/1981	Wallace et al.	D8/61
D. 289,135	4/1987	Doman	D8/61
D. 316,216	4/1991	Gierke et al.	D8/61
4,346,630	8/1982	Hanson	87/57.13
4,821,611	4/1989	Izumisawa	81/464



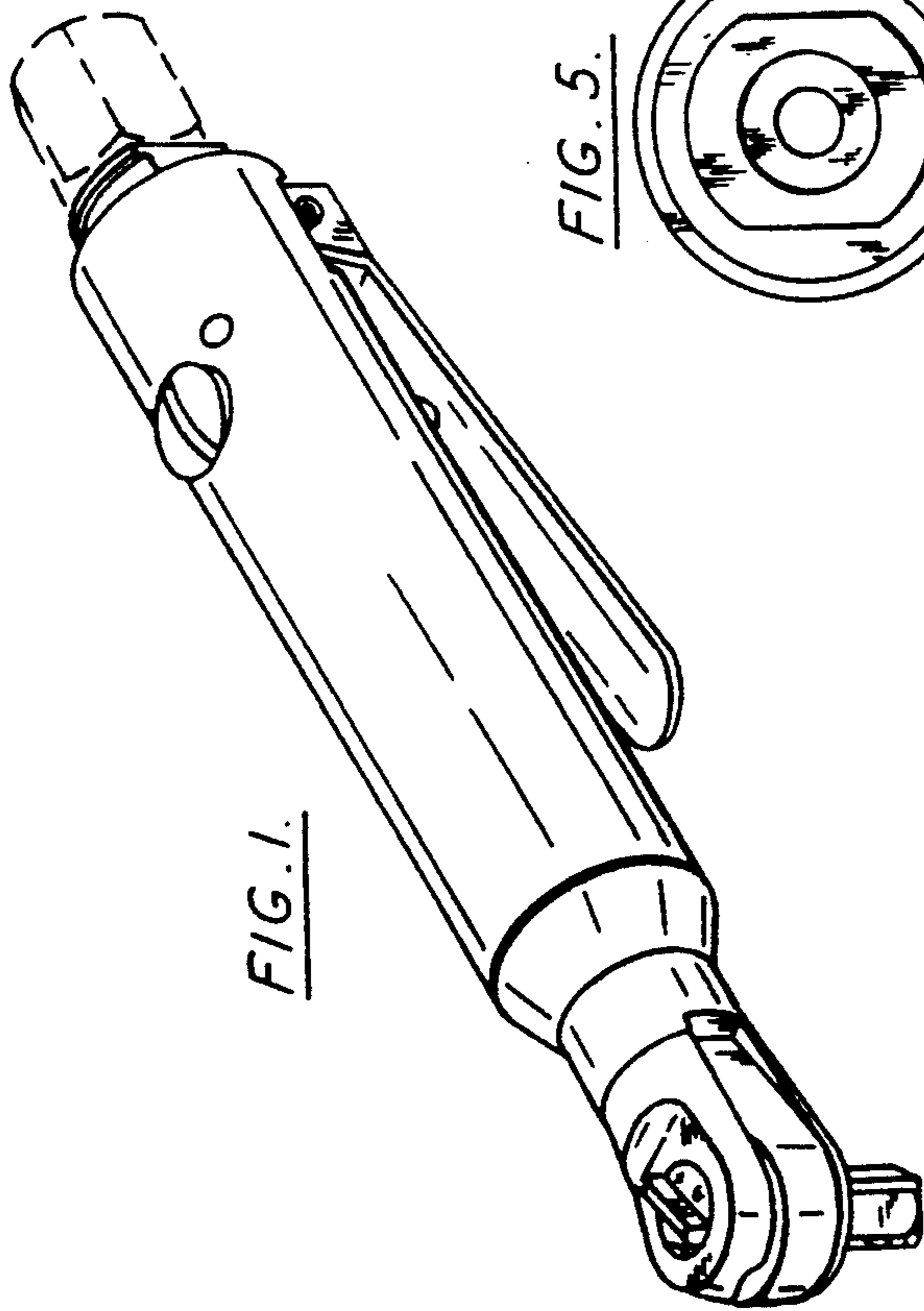


FIG. 1.

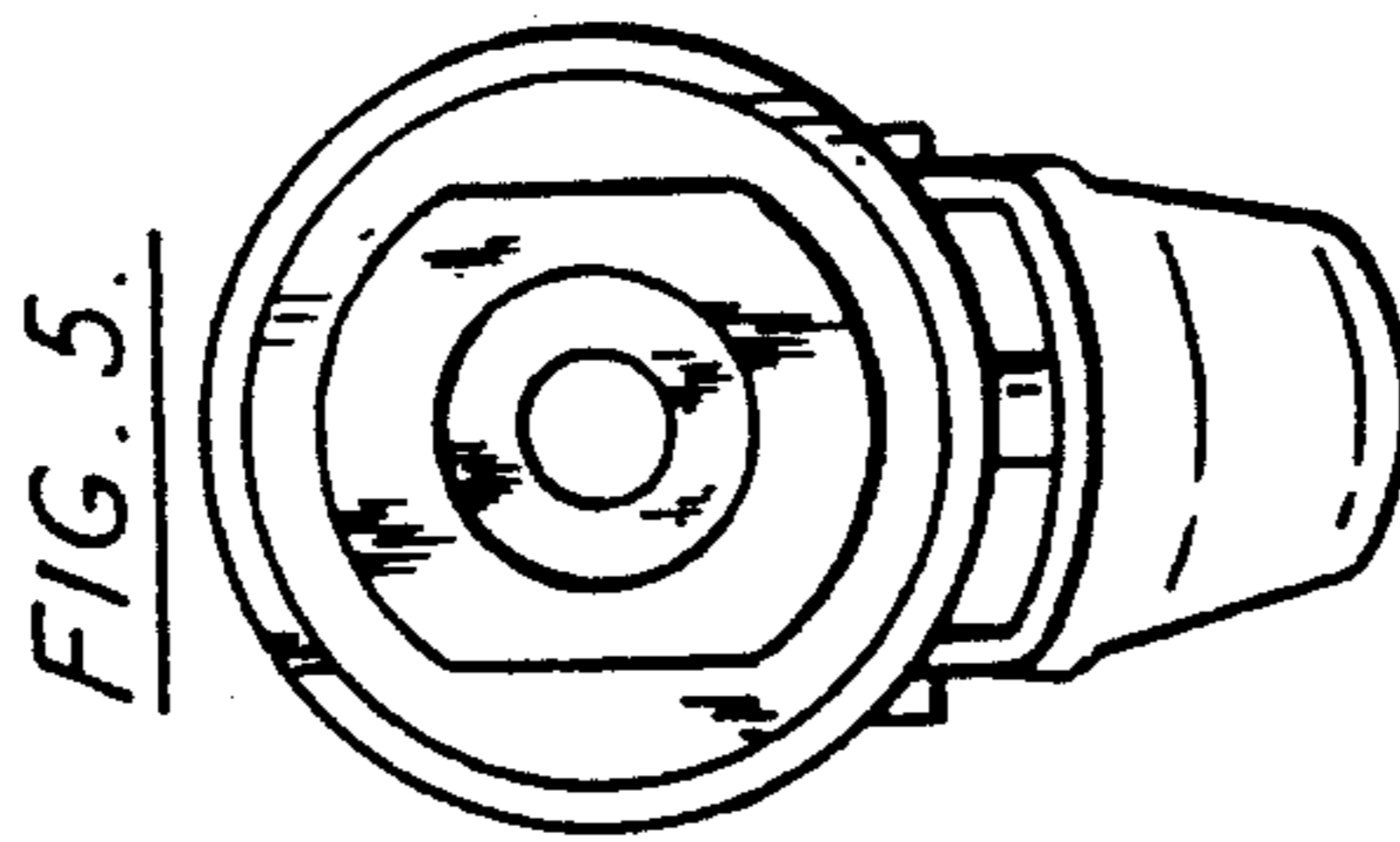


FIG. 5.

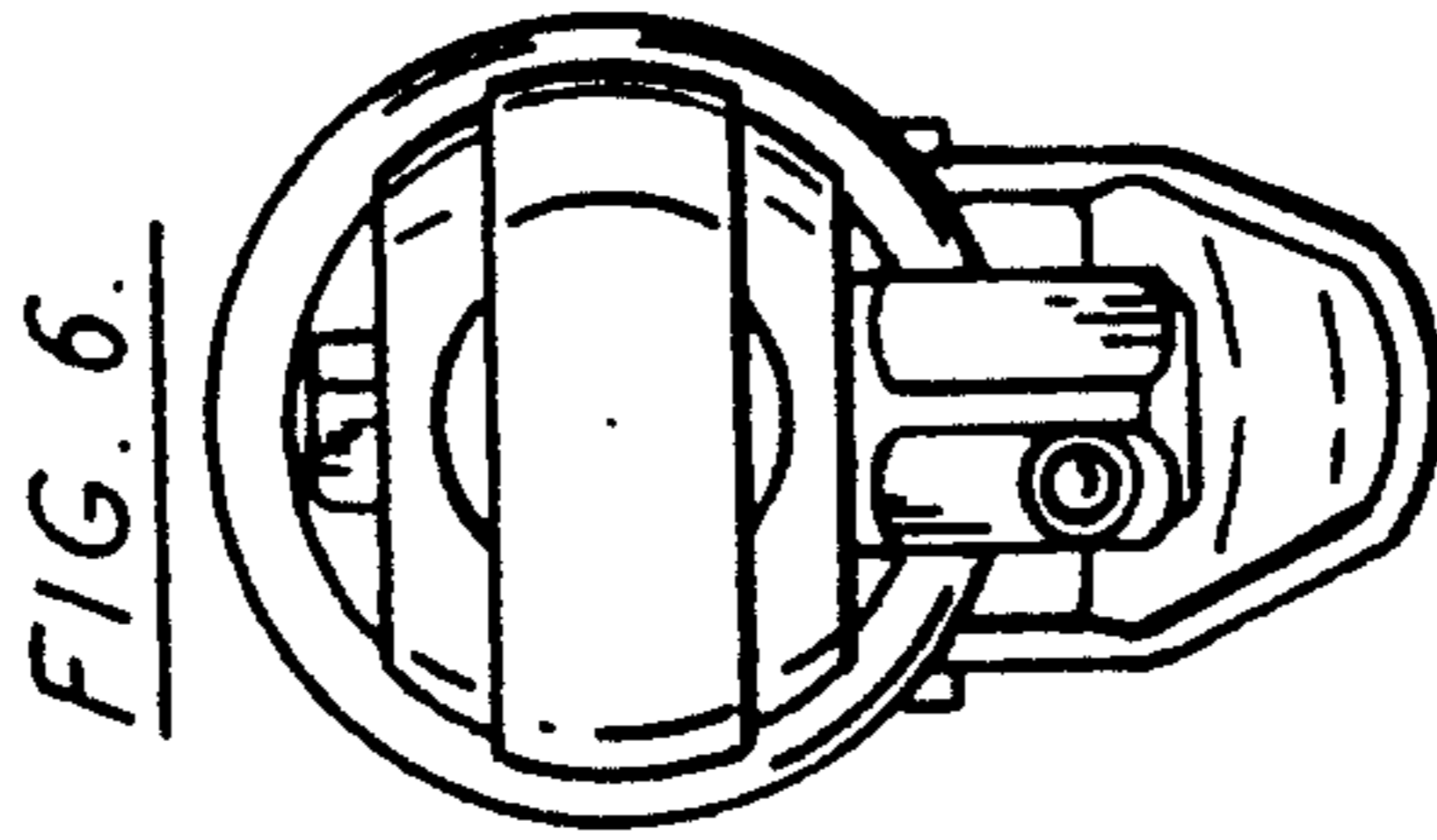


FIG. 6.

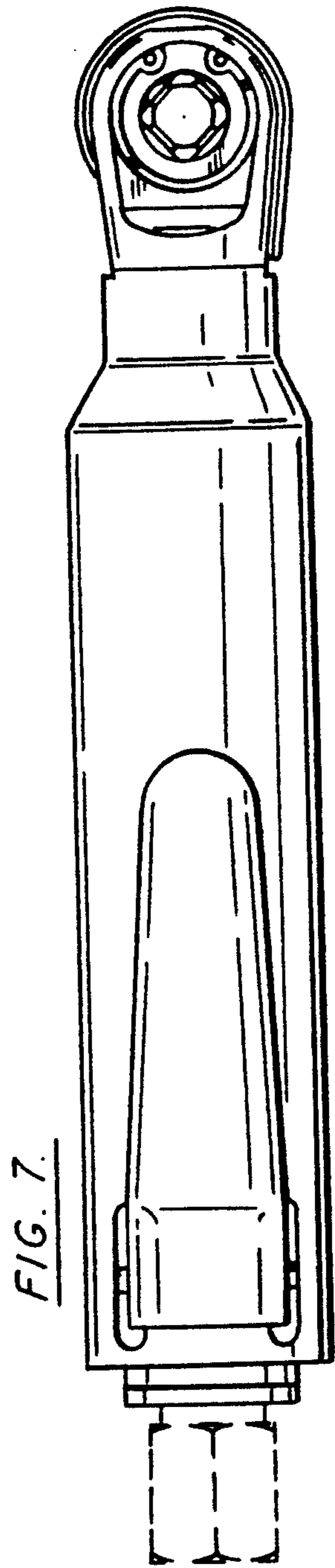


FIG. 7.

