



US00D334121S

United States Patent [19]

[11] Patent Number: **Des. 334,121**

Van Handel, III

[45] Date of Patent: **** Mar. 23, 1993**

[54] SET OF RAILROAD TIE CLAMPS FOR USE IN LANDSCAPING

[76] Inventor: **William Van Handel, III, 55**
Norwood Ave., Clifton, N.J. 07011

[**] Term: **14 Years**

[21] Appl. No.: **563,337**

[22] Filed: **Aug. 7, 1990**

[52] U.S. Cl. **D8/1**

[58] Field of Search **D8/1, 388, 382;**
405/286; 52/238; D12/42, 49, 51; 47/33; 104/9;
D20/41, 40, 23, 35; 238/265; 264/109

[56] **References Cited**

U.S. PATENT DOCUMENTS

D. 43,857	4/1913	Sweet	D20/35
D. 95,397	4/1935	Bradley	D20/35
D. 257,064	9/1980	Kobee	D8/1
1,662,402	3/1928	Schultz	238/265 X
1,663,425	3/1928	Temple	238/265 X
1,666,613	4/1928	Woods	47/33 X
2,662,342	12/1952	Peterson	47/33
3,412,561	11/1968	Reid	47/33 X
3,415,013	12/1968	Galbraith	47/33 X
3,559,338	2/1971	Klingberg	47/33

3,834,620	9/1974	Barlett	238/265 X
3,908,902	9/1975	Collins et al.	264/109 X
4,312,606	1/1982	Sarikelle	405/286
4,522,006	6/1985	Plikuhn	52/233
4,834,585	5/1989	Hasenwinkle	405/286

OTHER PUBLICATIONS

Dreyfuss Symbol Source Book, 1972 p. 196, train graphics, located lower right hand corner.

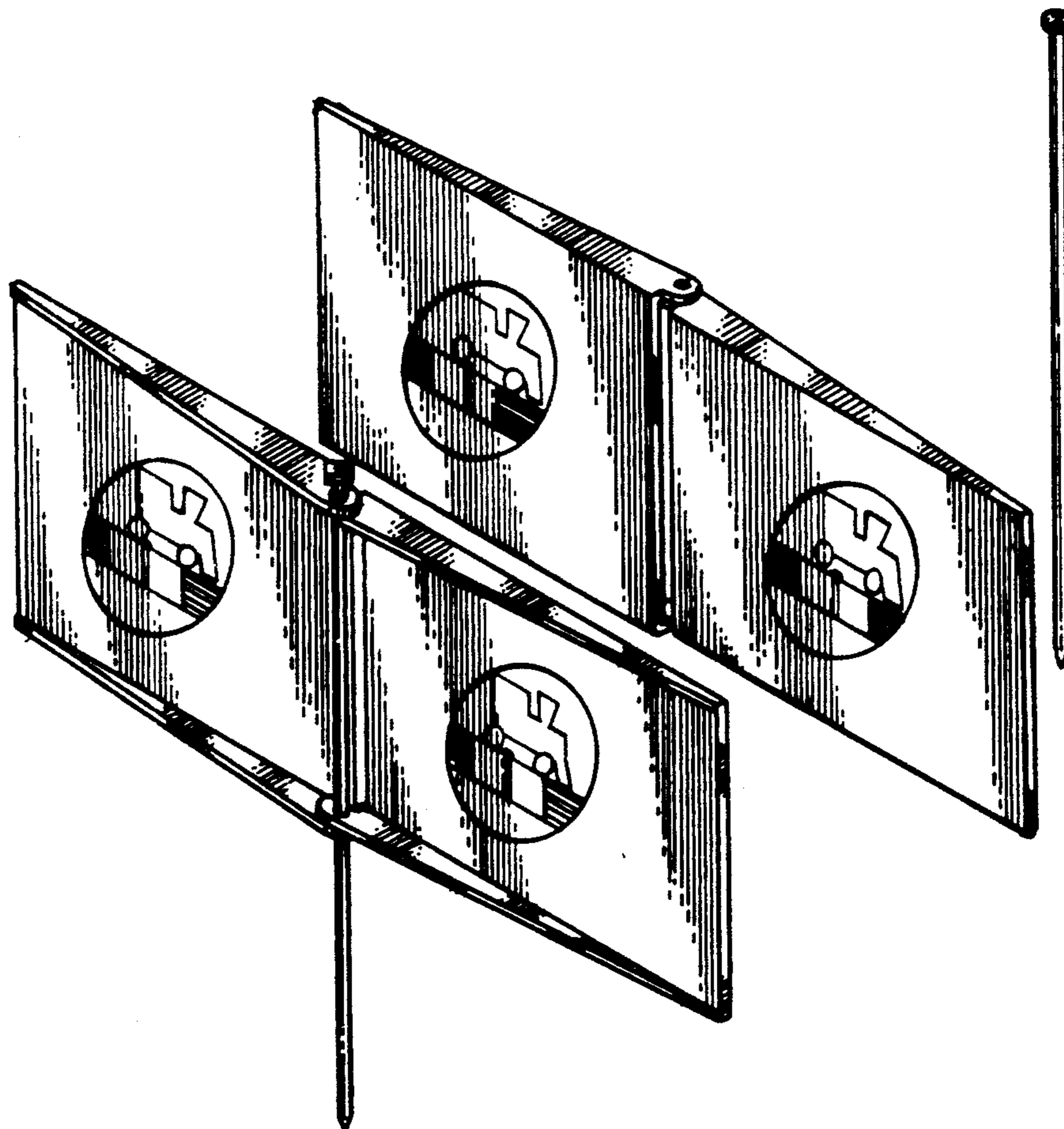
Primary Examiner—Wallace R. Burke
Assistant Examiner—H. Baynham
Attorney, Agent, or Firm—Terry M. Gernstein

[57] CLAIM

The ornamental design for a set of railroad tie clamps for use in landscaping, as shown and described.

DESCRIPTION

FIG. 1 is a perspective view of a set of railroad tie clamps for use in landscaping showing my new design, with a connector being shown separately;
FIG. 2 is a front elevational view thereof, the rear being a mirror image of the front shown in FIG. 2;
FIG. 3 is a side elevational view thereof, the side opposite being a mirror image of the side shown in FIG. 3;
FIG. 4 is a top plan view thereof; and,
FIG. 5 is a bottom view thereof.



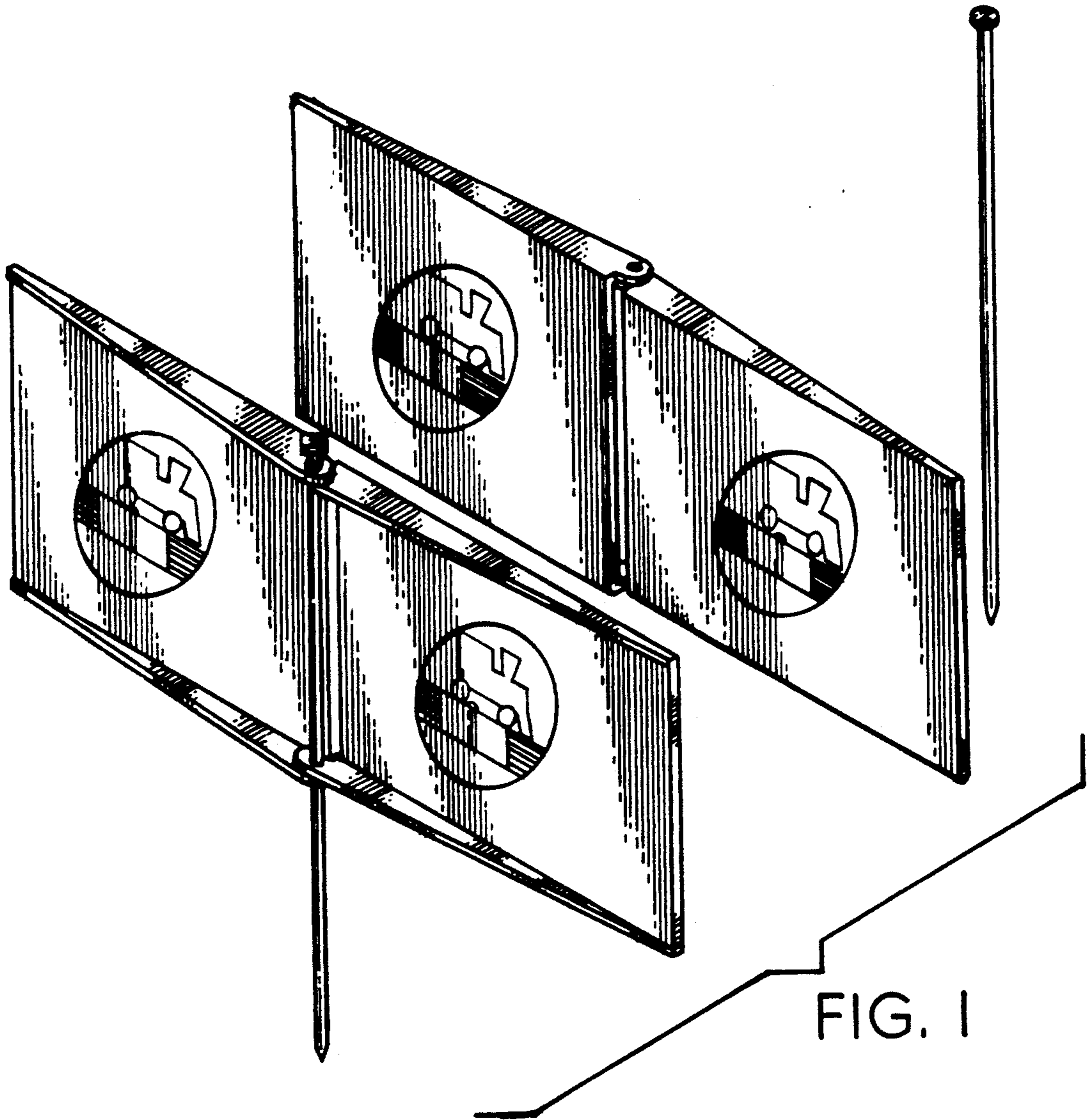


FIG. 4



FIG. 5



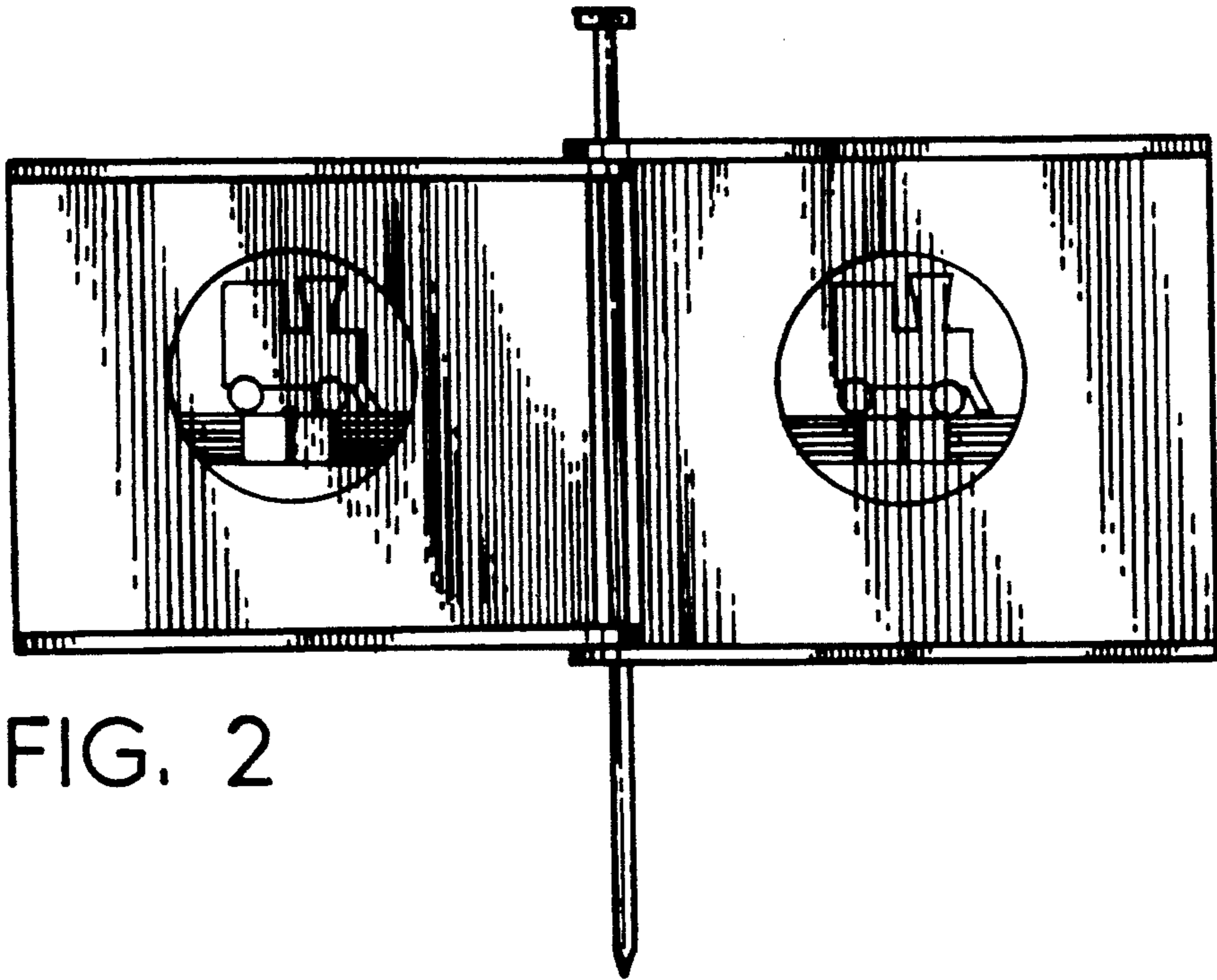


FIG. 2



FIG. 3