



US00D334120S

**United States Patent** [19]  
**Faught**

[11] **Patent Number: Des. 334,120**  
[45] **Date of Patent: \*\* Mar. 23, 1993**

[54] **FUNNEL WITH OVERFLOW PREVENTING MEANS**

4,347,878 9/1982 Schofield .  
4,823,848 4/1989 Sentmore .

[76] **Inventor: Edward N. Faught, P.O. Box 332, Pinconning, Mich. 48650**

*Primary Examiner—Terry A. Pfeffer*  
*Attorney, Agent, or Firm—Terry M. Gernstein*

[\*\*] **Term: 14 Years**

[57] **CLAIM**

[21] **Appl. No.: 638,655**

The ornamental design for a funnel with overflow preventing means, as shown and described.

[22] **Filed: Jan. 8, 1991**

**DESCRIPTION**

[52] **U.S. Cl. .... D7/700**

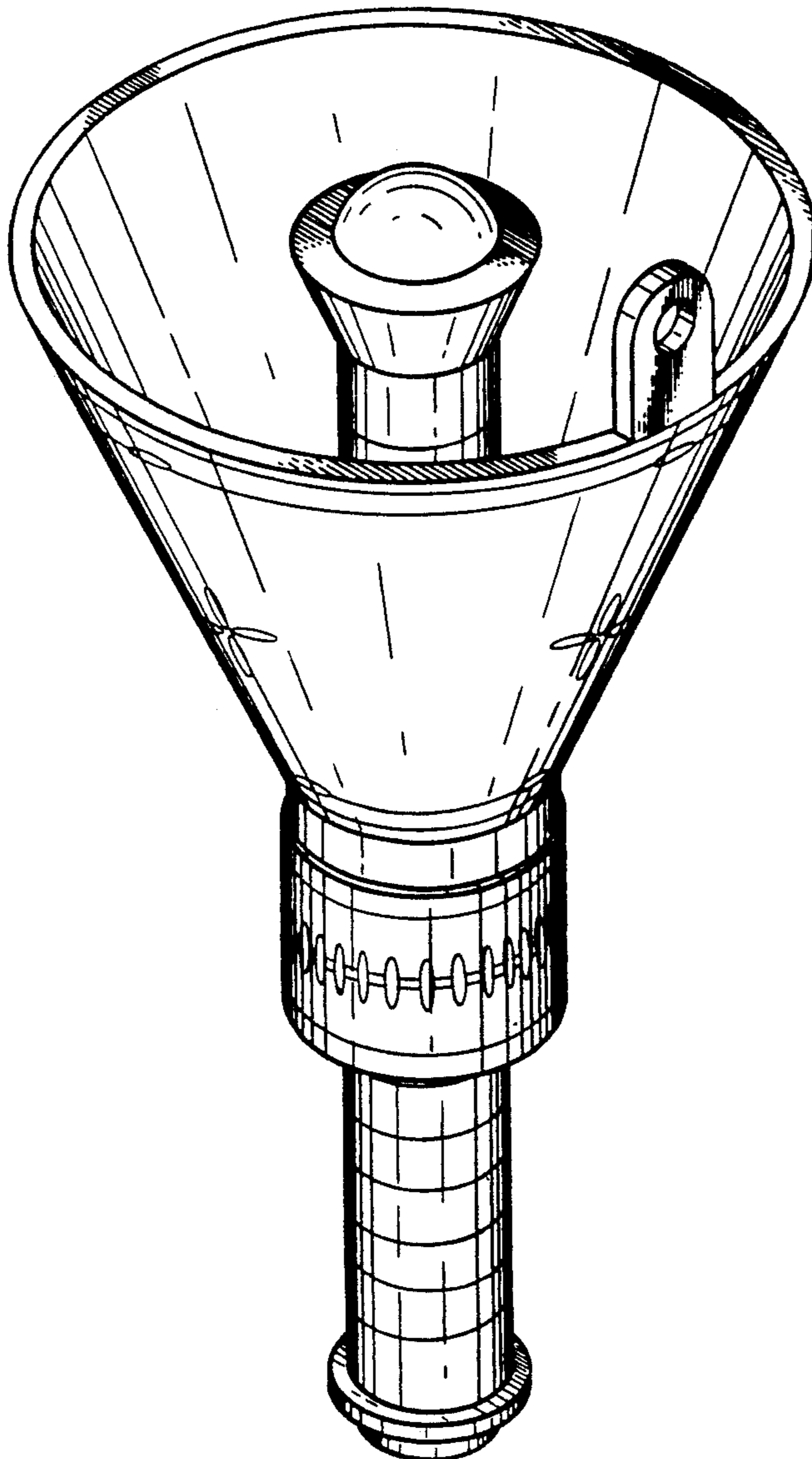
[58] **Field of Search ..... D7/700; D15/150, 199; D23/200; 141/331-345, 297**

FIG. 1 is a perspective view of the funnel with overflow preventing means showing my new design; FIG. 2 is a front elevational view thereof; FIG. 3 is a side elevational view thereof, the opposite side being identical; FIG. 4 is a rear elevational view thereof; FIG. 5 is a top plan view thereof; and, FIG. 6 is a bottom plan view thereof.

[56] **References Cited**

**U.S. PATENT DOCUMENTS**

1,215,823 2/1917 Lewis ..... D7/700 X  
2,260,430 10/1941 Blasingame .



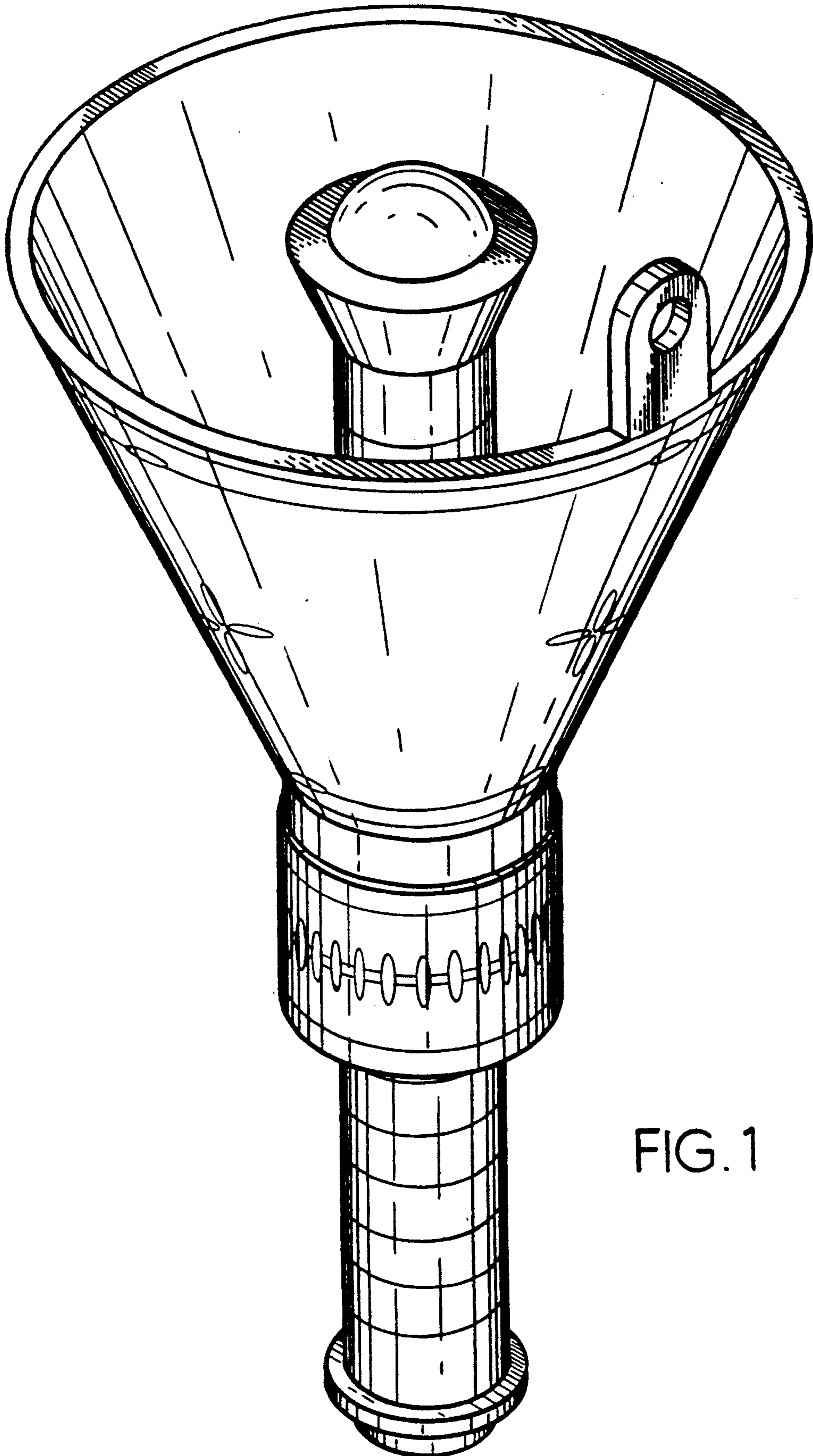


FIG. 1

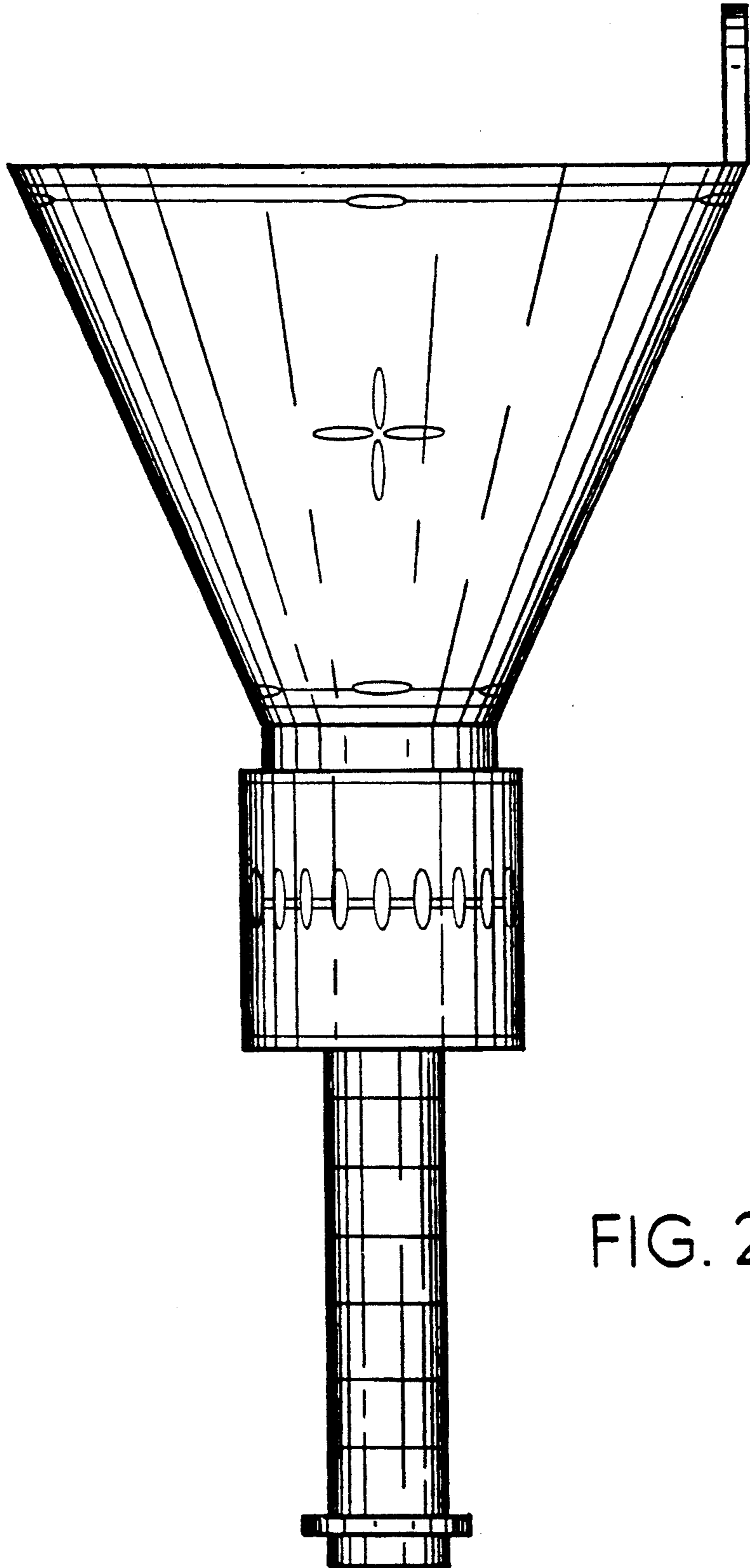


FIG. 2

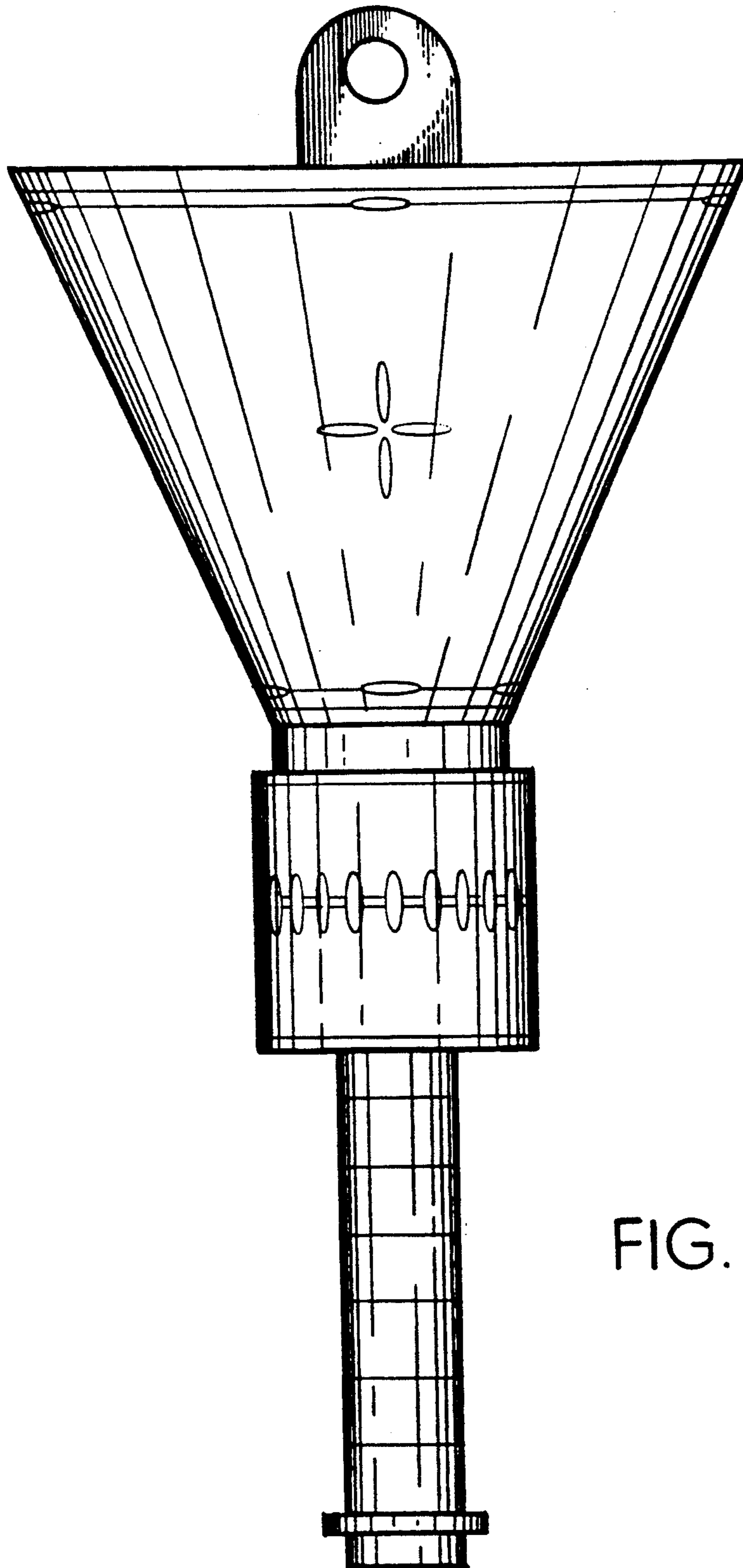


FIG. 3

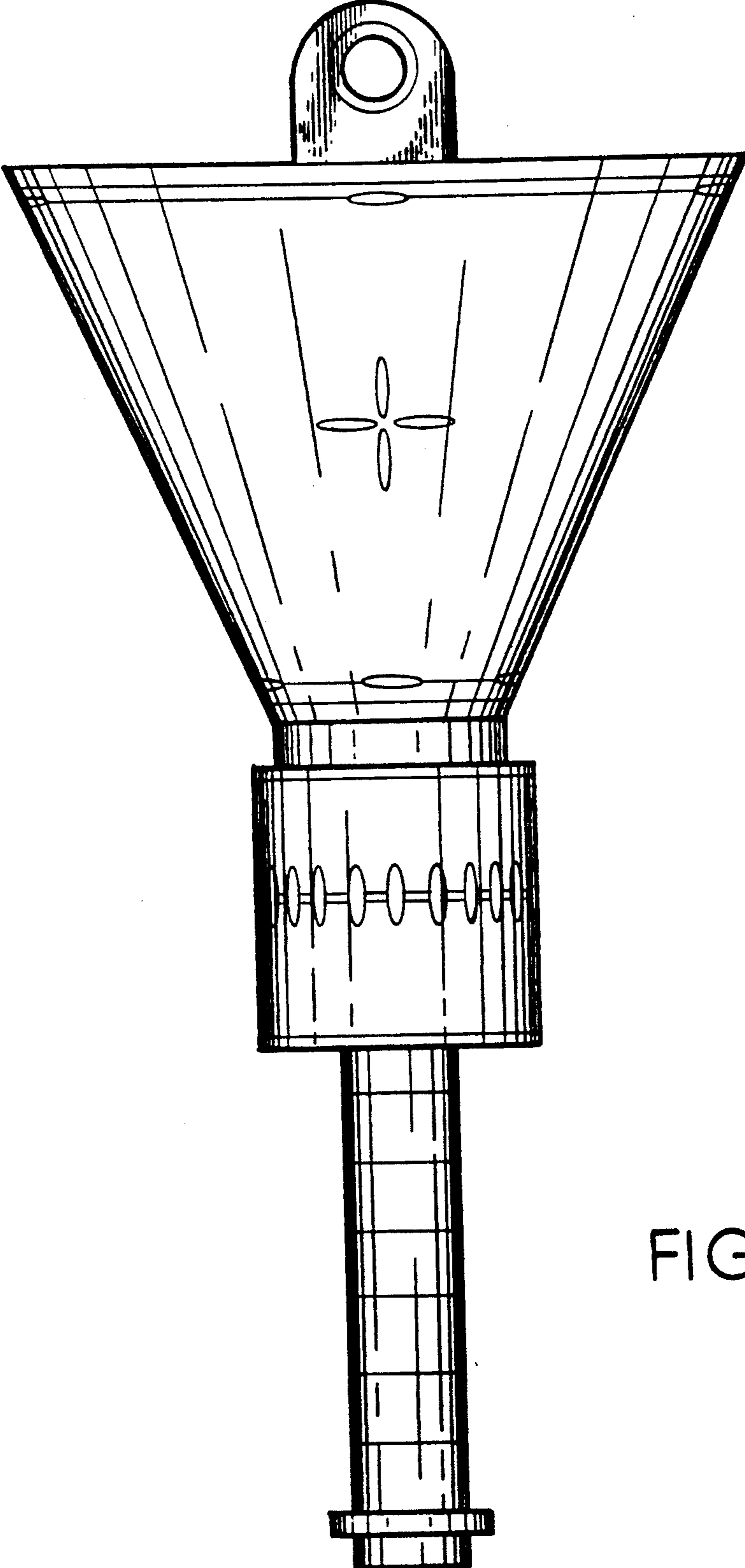


FIG. 4

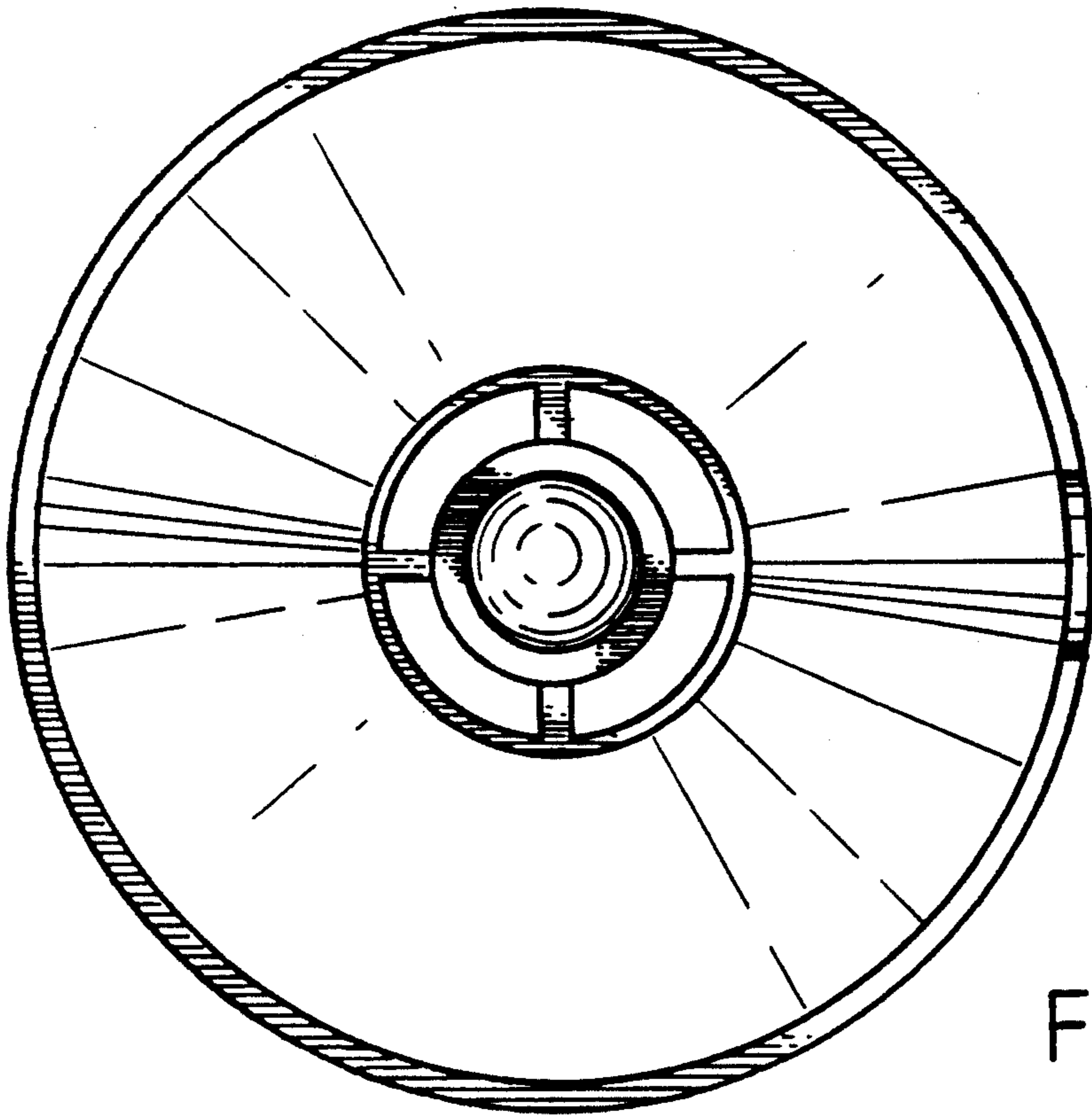


FIG. 5

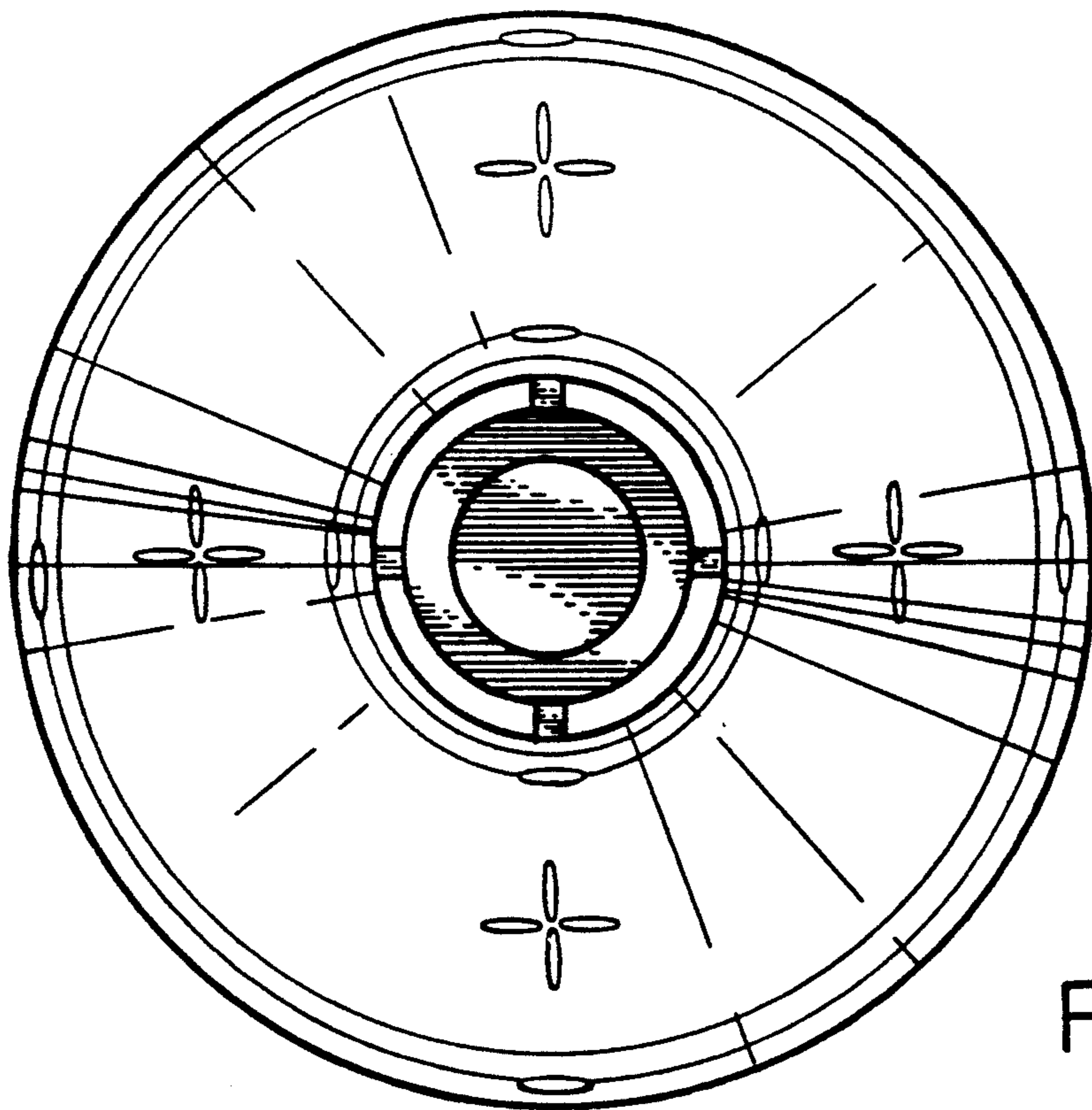


FIG. 6