



US00D334112S

United States Patent [19]

[11] Patent Number: **Des. 334,112**

Carter

[45] Date of Patent: **** Mar. 23, 1993**

[54] COMBINED CUP AND PLATE HOLDER

D. 214,641 7/1969 Malakoff D7/616
5,085,391 2/1992 Berger et al. 248/311.2

[76] Inventor: **Gary J. Carter**, 3222 S. 28 St., #303,
Alexandria, Va. 22302

Primary Examiner—Terry A. Pfeffer
Attorney, Agent, or Firm—Keck, Mahin & Cate

[**] Term: **14 Years**

[57] CLAIM

[21] Appl. No.: **607,072**

The ornamental design for a combined cup and plate holder, as shown and described.

[22] Filed: **Oct. 31, 1990**

DESCRIPTION

[52] U.S. Cl. **D7/616**

[58] Field of Search D7/616, 549; 211/41;
220/23.86, 23.83, 23.4; 248/311.2

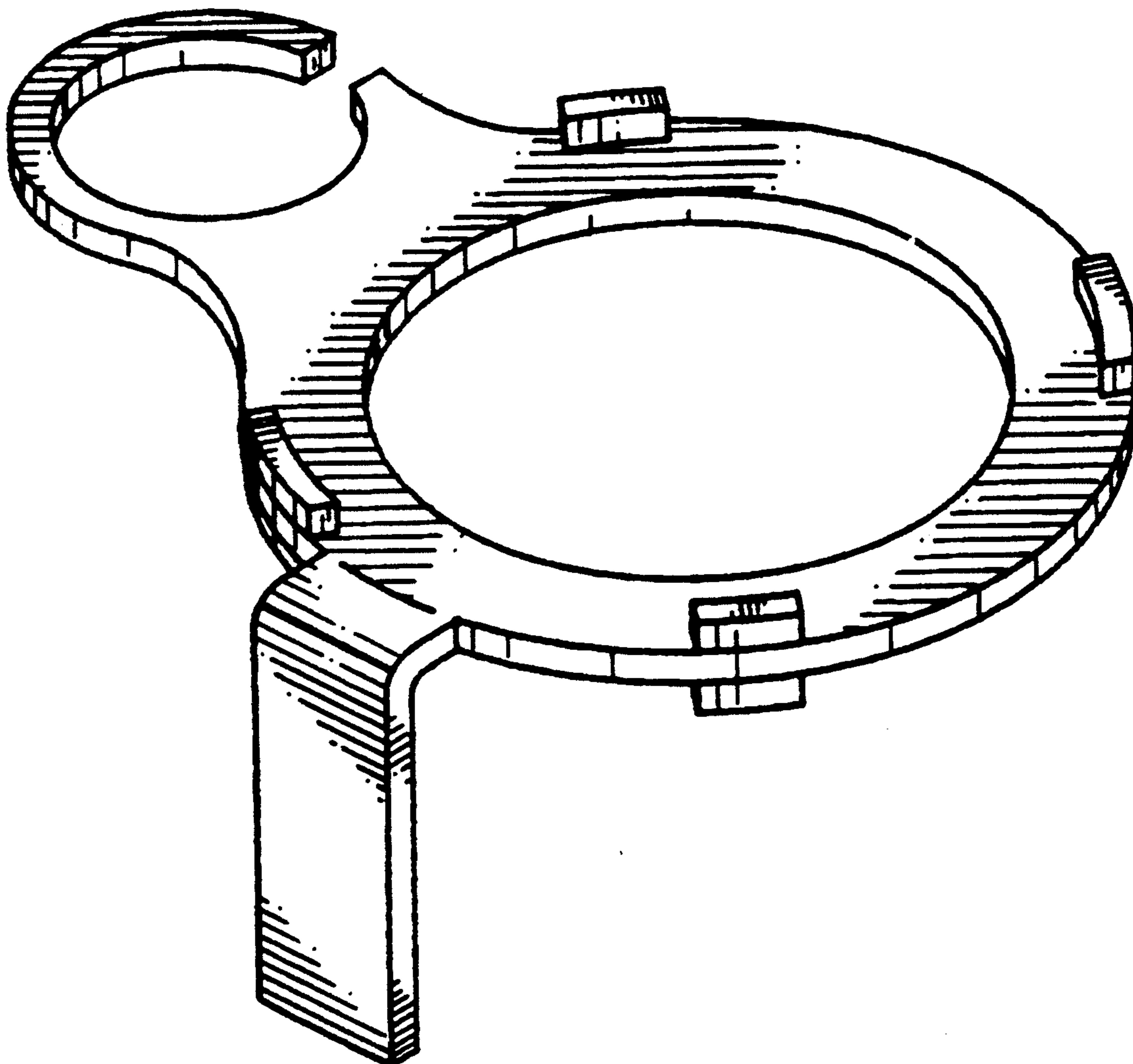
FIG. 1 is a perspective view of a combined cup and plate holder showing my new design; FIG. 2 is a top plan view thereof; and, FIG. 3 is a cross-sectional view taken along line 3—3 of FIG. 2, the cup and plate shown in broken lines for illustrative purposes only.

[56] References Cited

U.S. PATENT DOCUMENTS

D. 117,478 11/1939 Keenan D7/549
D. 155,299 9/1949 Laier D7/616

The undisclosed bottom view is unornamented.



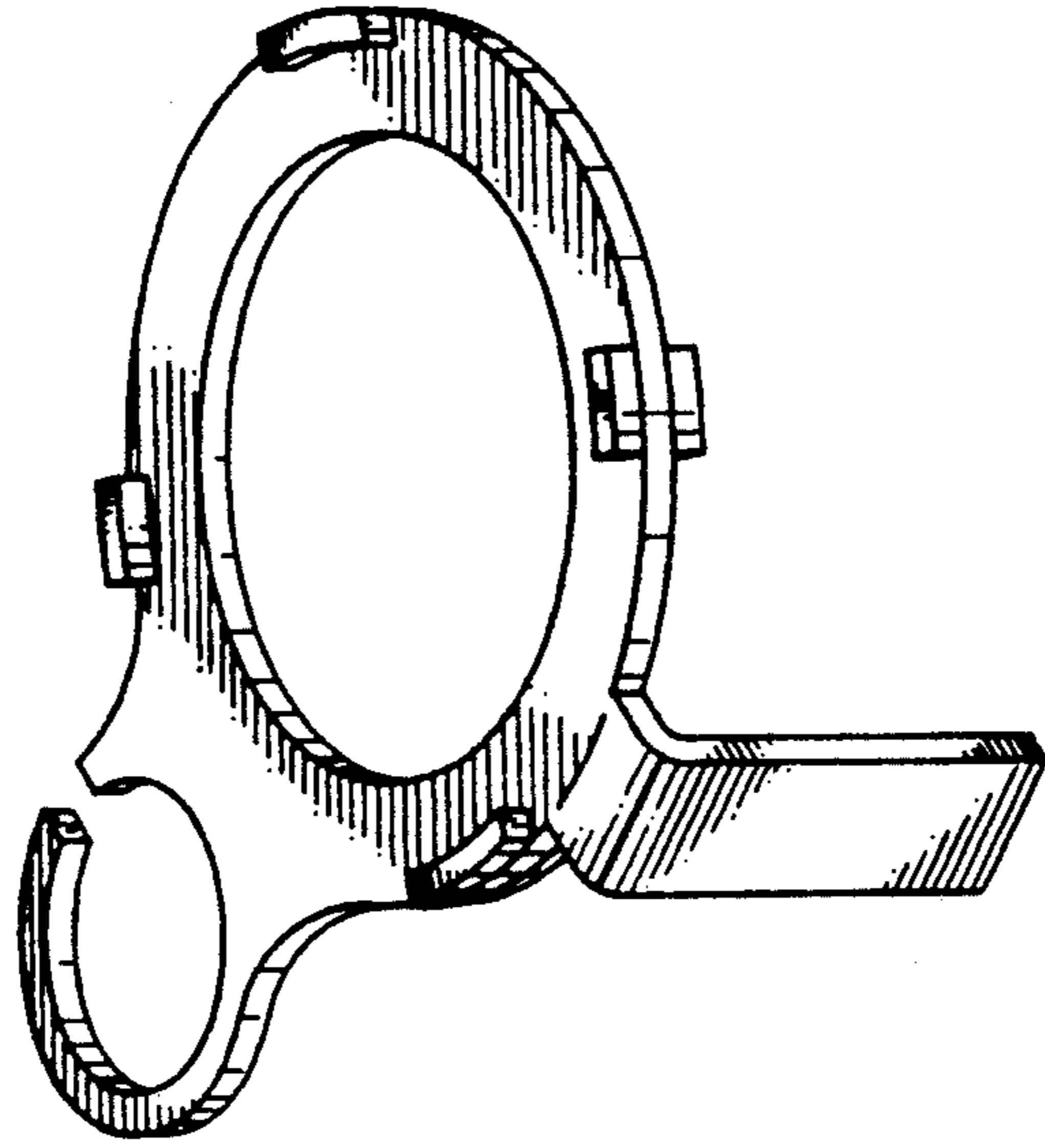


FIGURE 1

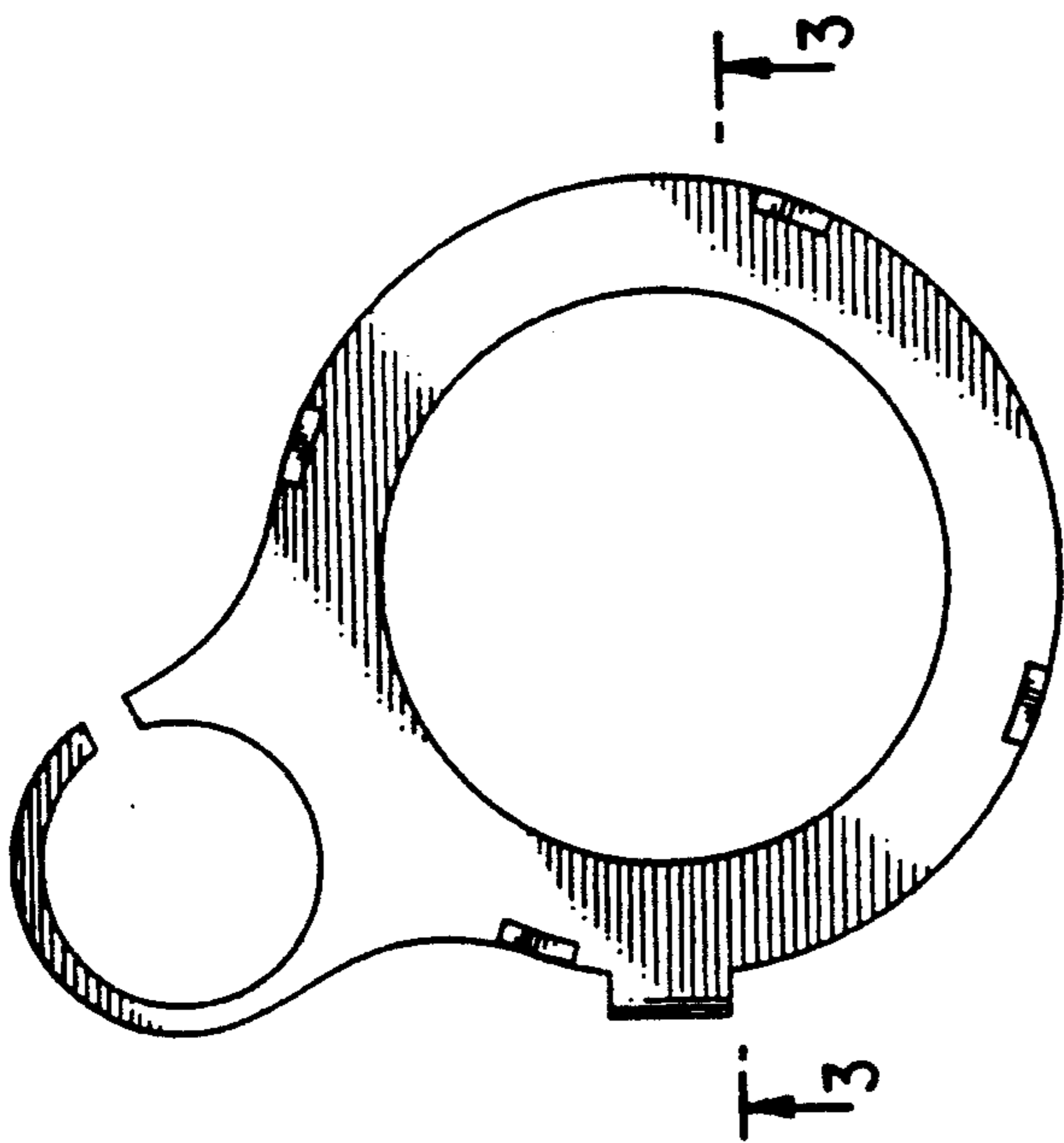


FIGURE 2

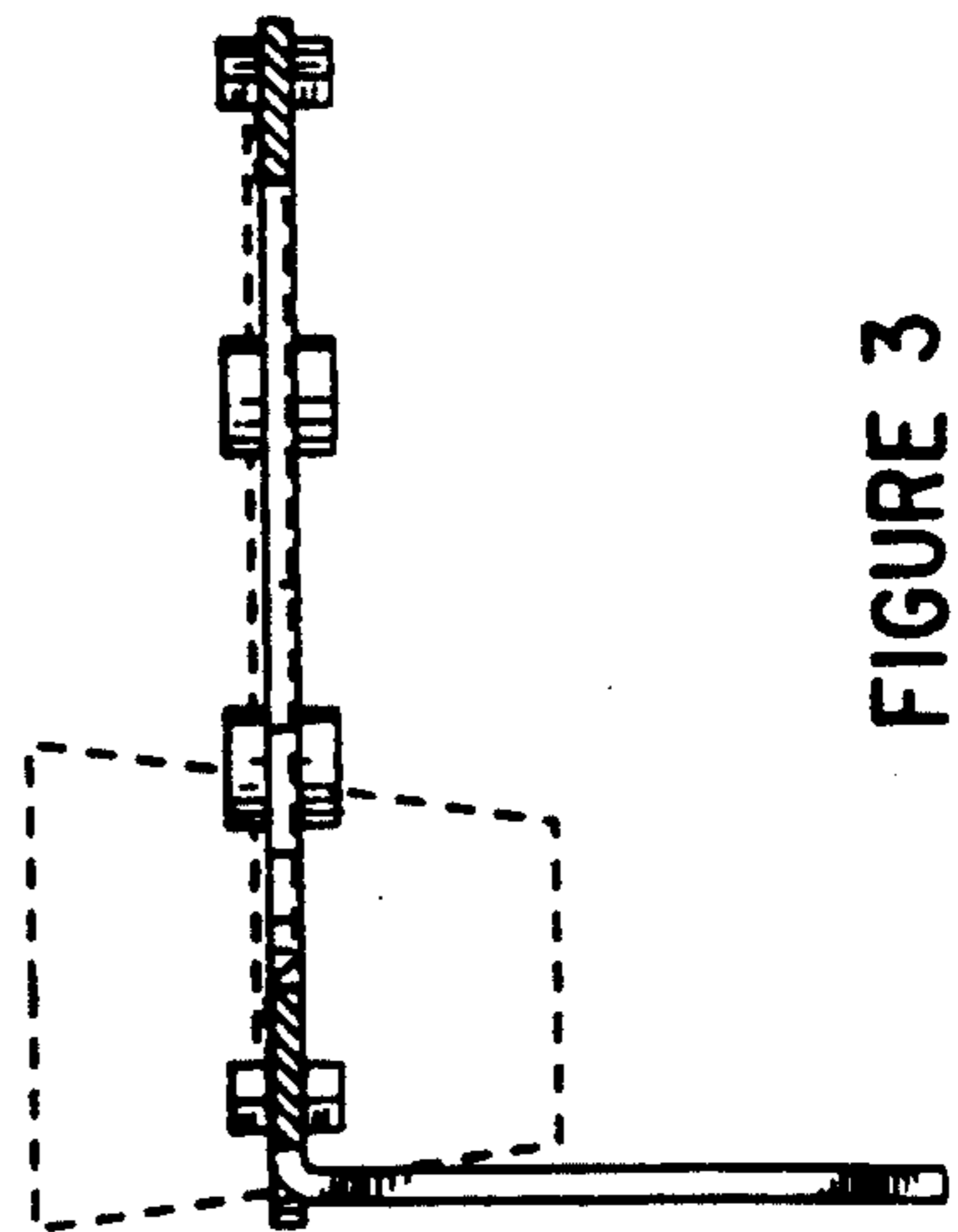


FIGURE 3