



US00D334104S

United States Patent [19]
Murry

[11] **Patent Number: Des. 334,104**
[45] **Date of Patent: ** Mar. 23, 1993**

[54] **TABLE BASE**

[75] **Inventor: Edsel E. Murry, Coldwater, Miss.**

[73] **Assignee: Chromcraft Furniture Corporation, Senatobia, Miss.**

[**] **Term: 14 Years**

[21] **Appl. No.: 800,402**

[22] **Filed: Nov. 27, 1991**

[52] **U.S. Cl. D6/499; D6/498**

[58] **Field of Search D6/480, 487, 488, 495, D6/499**

[56] **References Cited**

U.S. PATENT DOCUMENTS

D. 64,386	4/1924	Arons	D6/480
D. 134,003	10/1942	Guild	D6/495 X
D. 207,958	6/1967	Jakobsen	D6/487
D. 236,402	8/1975	Lubke	D6/487
D. 293,862	1/1988	Hubert	D6/480 X

OTHER PUBLICATIONS

Calif-Asia/Hermosa Rattan, ©1974, p. 37, Table in center #3503-2048.

Chromcraft Cat.—Aug. 5, 1983, Brownstone Collection p. BR5, Table in center.

Primary Examiner—Alan P. Douglas

Assistant Examiner—Janice E. Seeger

Attorney, Agent, or Firm—Wolf, Greenfield and Sacks

[57] **CLAIM**

The ornamental design for a table base, as shown and described.

DESCRIPTION

FIG. 1 is a perspective view of the table base showing my new design;

FIG. 2 is a front elevational view, the rear being identical thereto;

FIG. 3 is an end elevational view thereof, the opposite end elevation view being identical thereto;

FIG. 4 is a perspective view of a table base, showing a second embodiment of my new design;

FIG. 5 is a front elevational view thereof, the rear elevation view being identical thereto; and,

FIG. 6 is an end elevational view thereof, the opposite end elevation view being identical thereto.

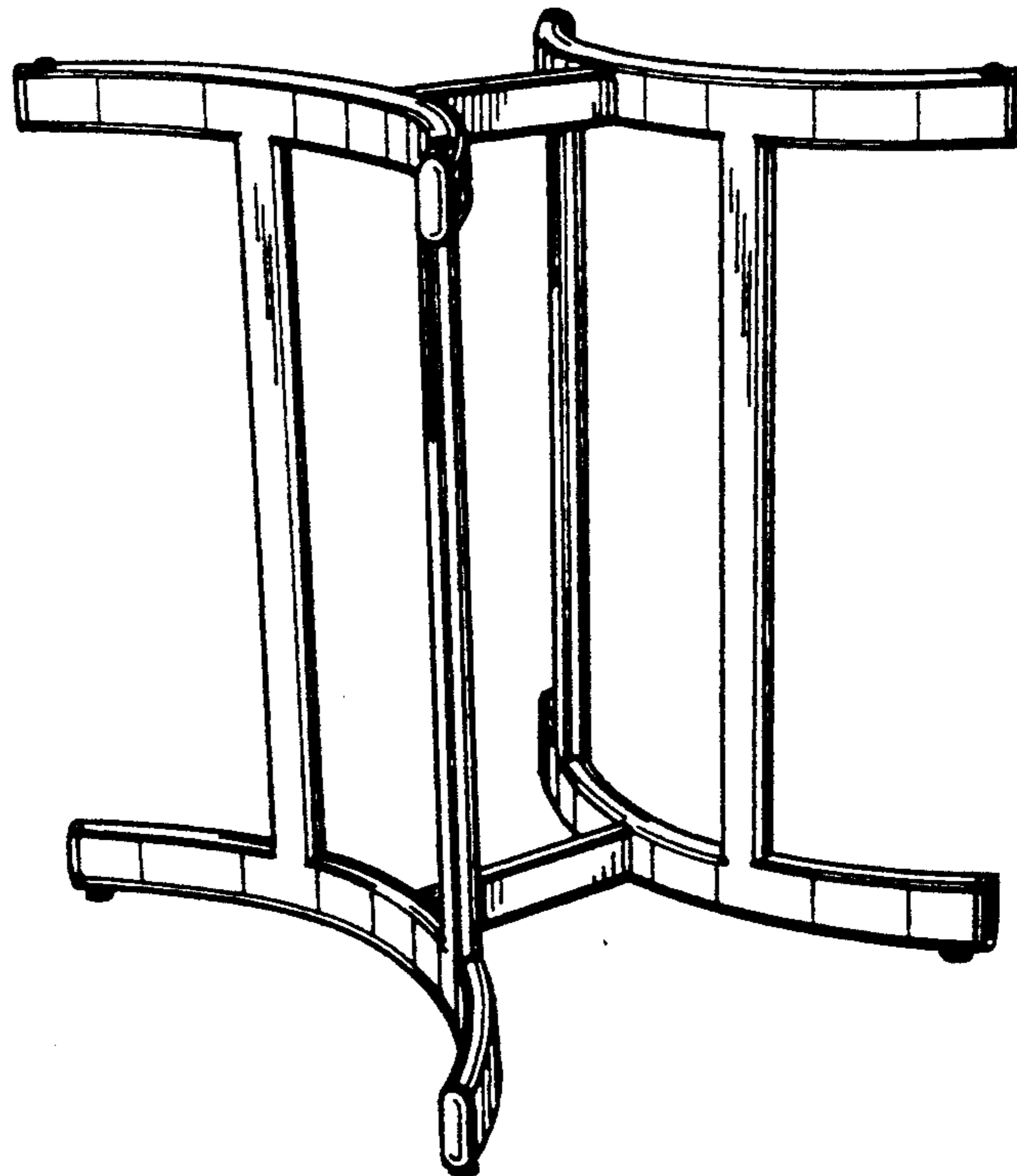


Fig. 1

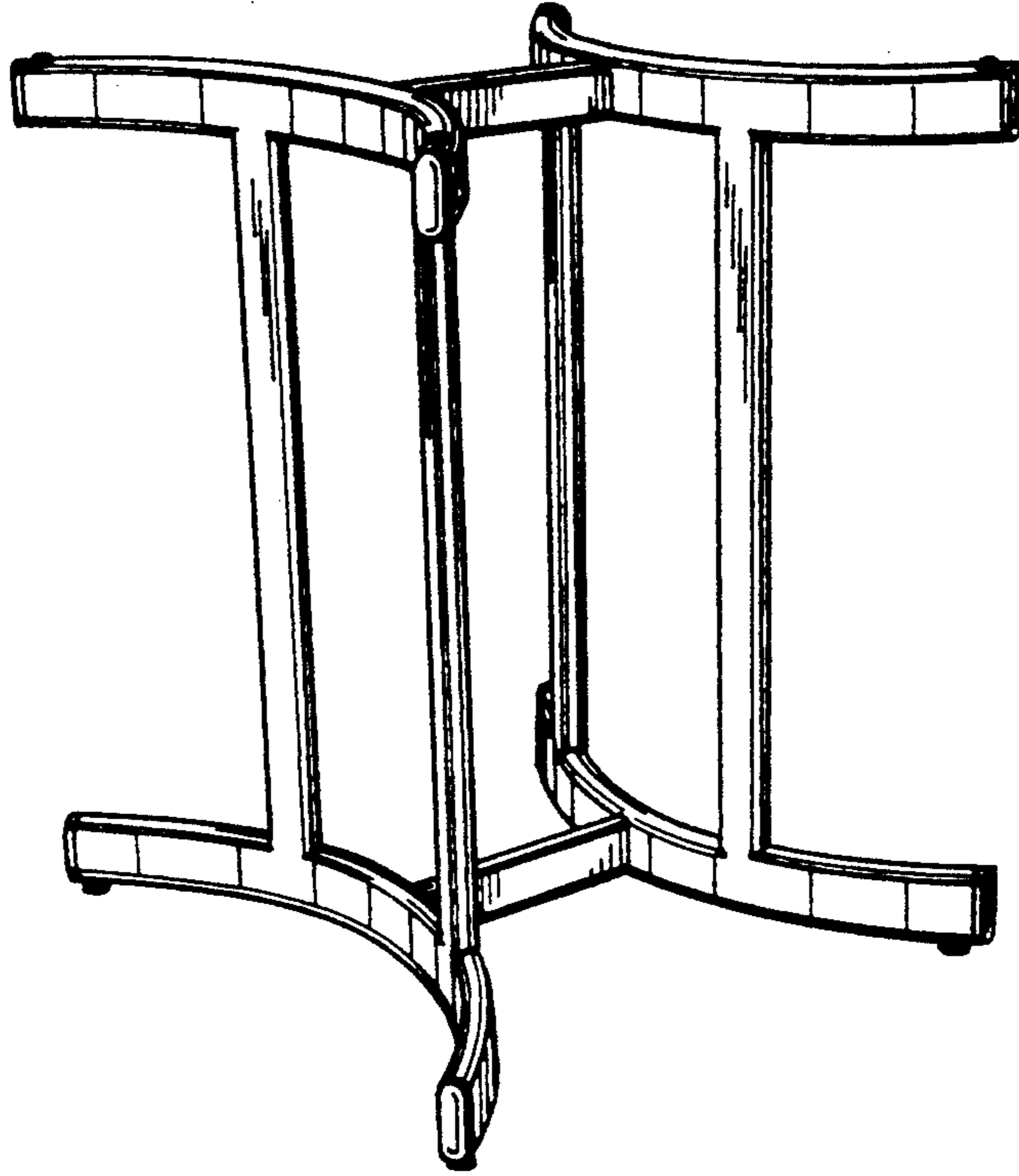


Fig. 2

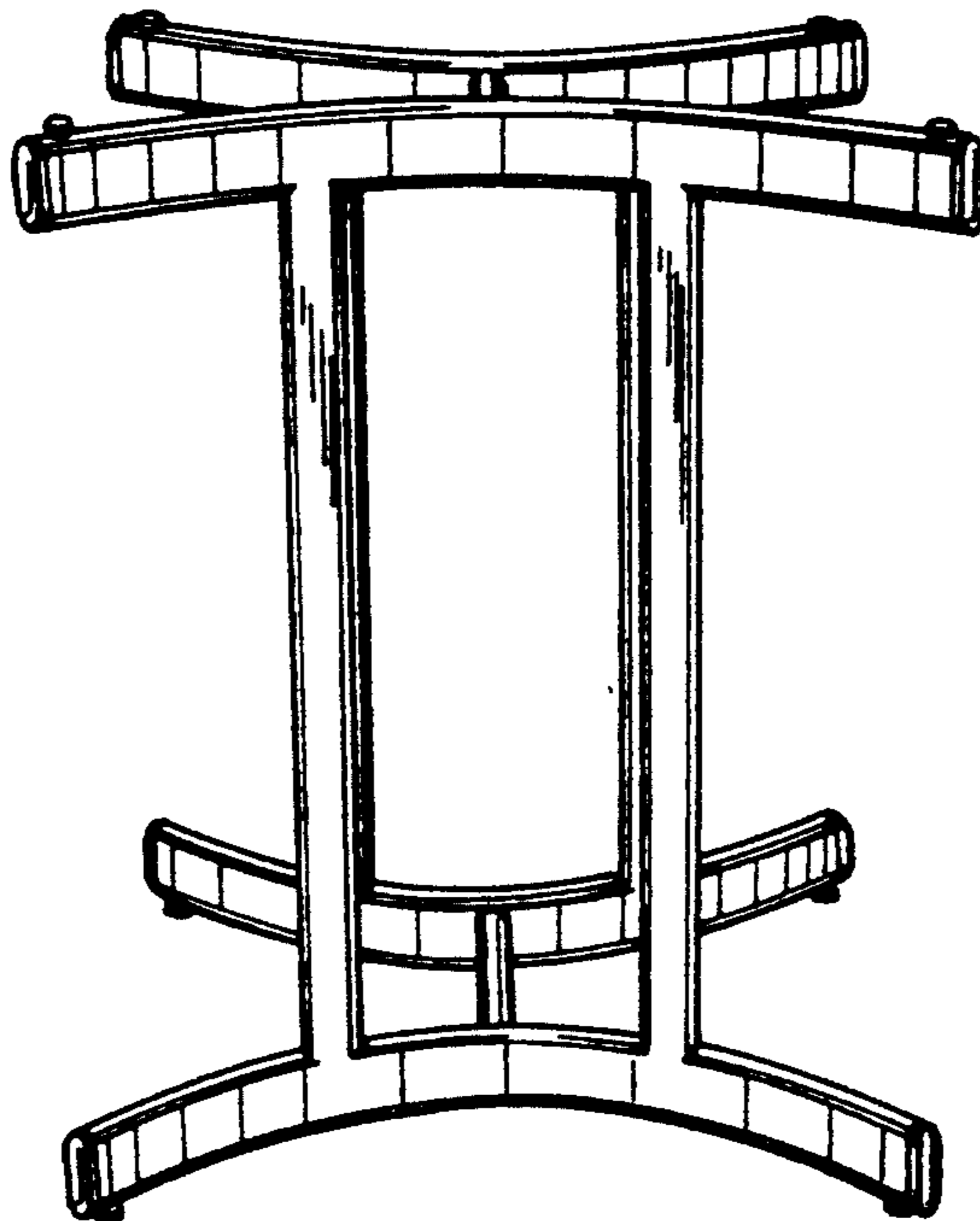


Fig. 3

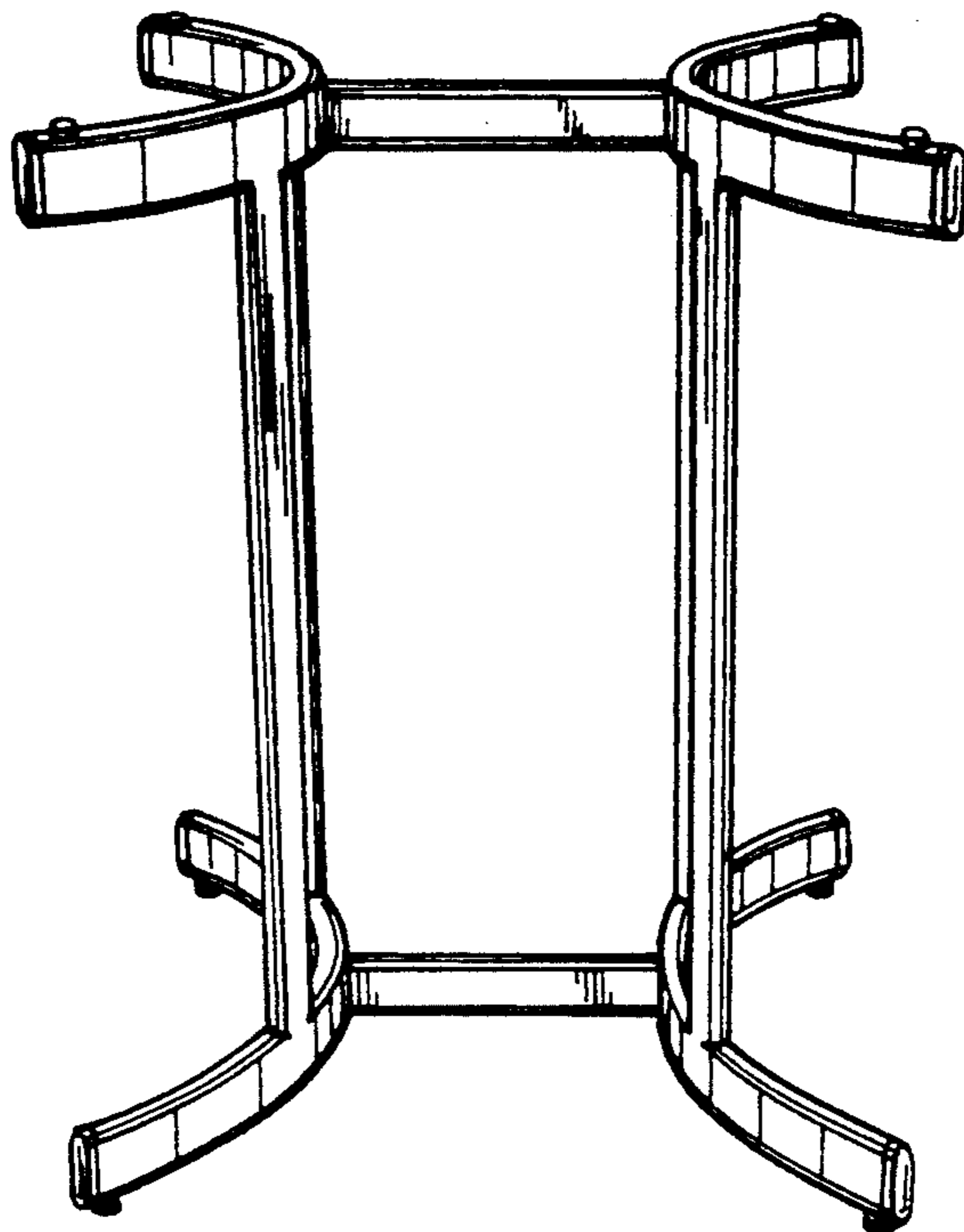


Fig. 4

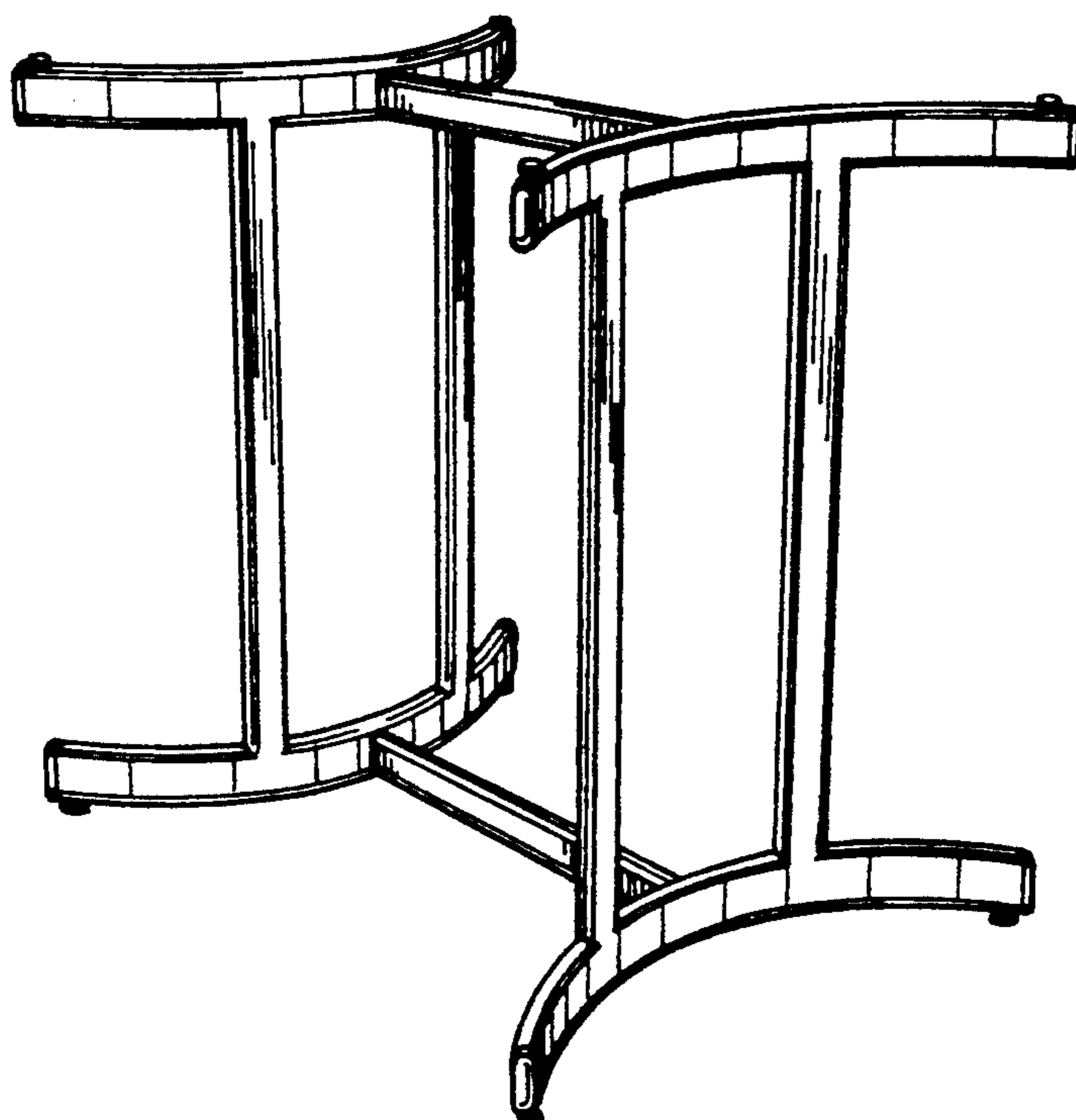


Fig. 5

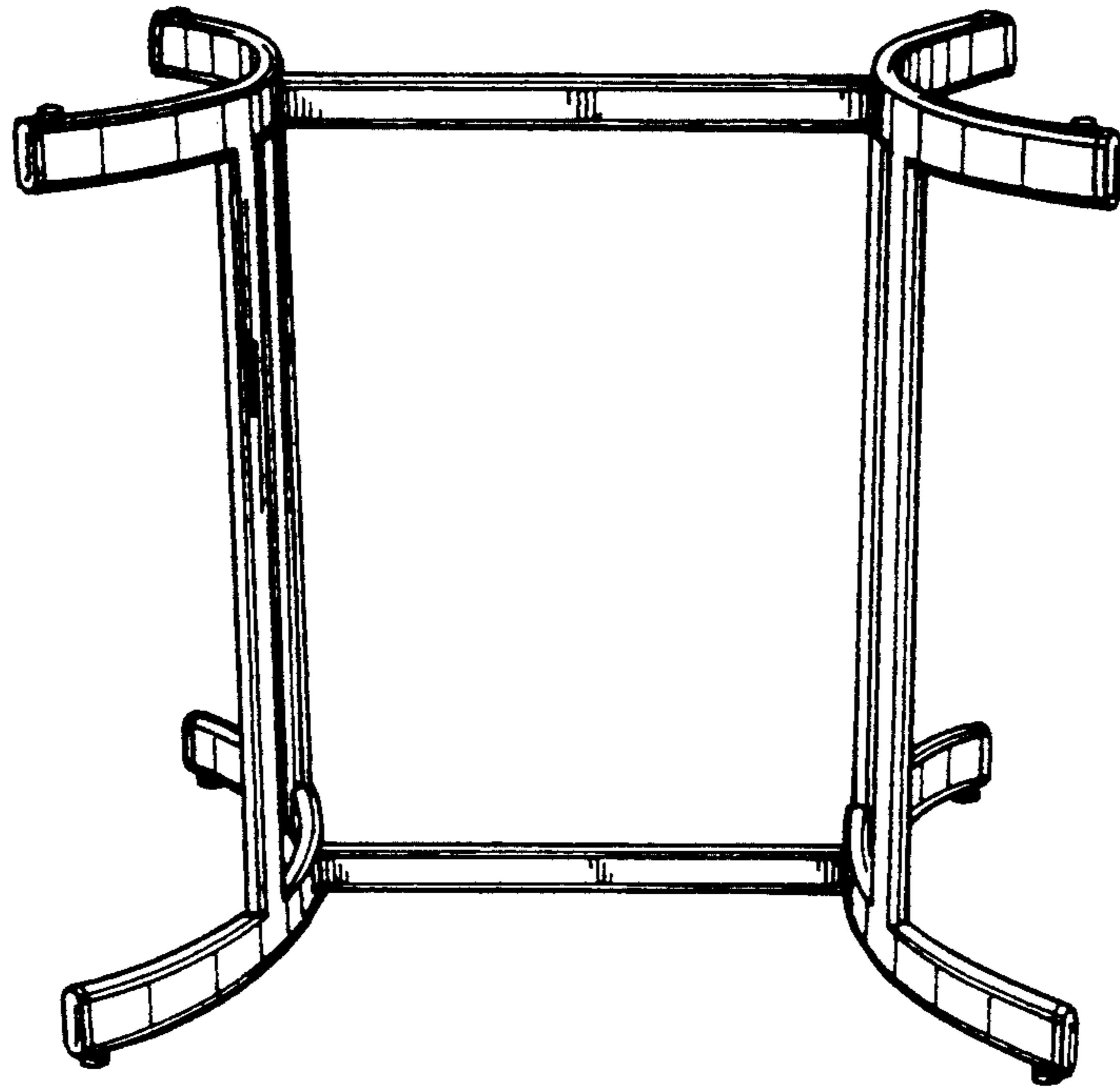


Fig. 6

