



US00D334103S

United States Patent [19]

[11] Patent Number: **Des. 334,103**

Koguma

[45] Date of Patent: **** Mar. 23, 1993**

[54] **DESK**

[75] Inventor: **Seiji Koguma, Warabi, Japan**

[73] Assignee: **Okamura Corp., Yokohama, Japan**

[**] Term: **14 Years**

[21] Appl. No.: **438,153**

[22] Filed: **Nov. 16, 1989**

[30] Foreign Application Priority Data

Sep. 1, 1989 [JP] Japan 1-31692

[52] U.S. Cl. **D6/484; D6/422; D6/429**

[58] Field of Search **D6/396, 407, 422, 429, D6/432, 440, 484; 211/126; 312/194, 195, 258; 108/27, 50; 217/5, 56, 59**

[56] References Cited

U.S. PATENT DOCUMENTS

D. 284,532	7/1986	Vogt	D6/422 X
D. 311,833	11/1990	Newhouse	D6/422 X
D. 312,541	12/1990	Wright	D6/422 X
D. 312,928	12/1990	Scheffers	D6/429
3,290,108	12/1966	Beckman et al.	312/281
3,758,182	9/1973	Barecki et al.	312/194
4,884,513	12/1989	Newhouse et al.	312/195

FOREIGN PATENT DOCUMENTS

264147	1/1989	Fed. Rep. of Germany	312/194
653700	3/1985	Japan	.	
683567	4/1986	Japan	.	
700572	11/1986	Japan	.	
763632	3/1989	Japan	.	
764290	3/1989	Japan	.	
764979	3/1989	Japan	.	

Primary Examiner—Alan P. Douglas
Assistant Examiner—Monica A. Hannon
Attorney, Agent, or Firm—Lackebach Siegel Marzullo & Aronson

[57] CLAIM

The ornamental design for a desk, as shown and described.

DESCRIPTION

FIG. 1 is a front elevational view of a desk showing my new design;
FIG. 2 is a top plan view thereof;
FIG. 3 is a right side elevational view, the left side being a mirror image thereof;
FIG. 4 is a front elevational view thereof;
FIG. 5 is a bottom plan elevational view thereof; and,
FIG. 6 is a front plan view thereof.
FIG. 6 is a drawn on an enlarged scale with respect of FIG. 1.

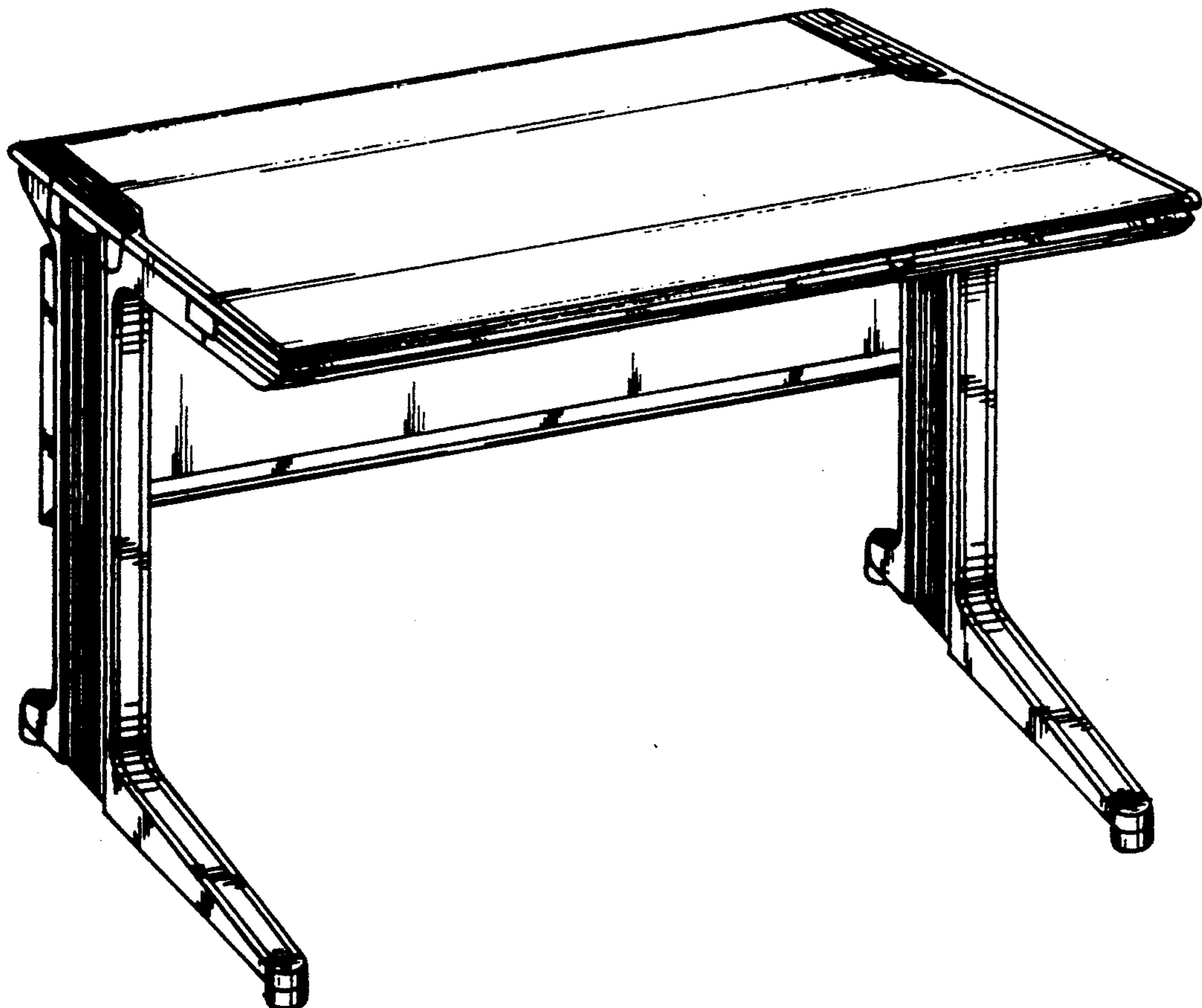


FIG. 1

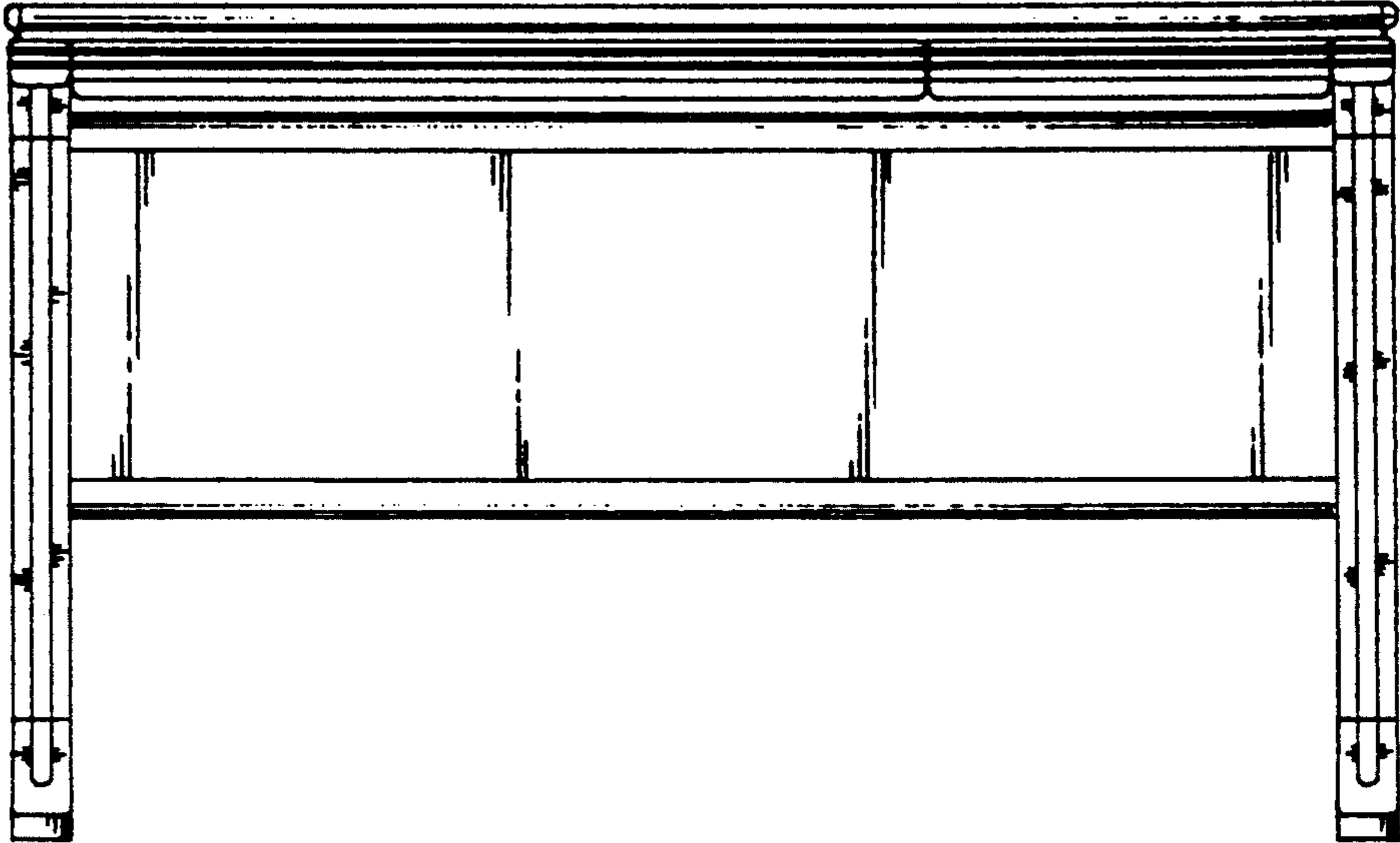


FIG. 2

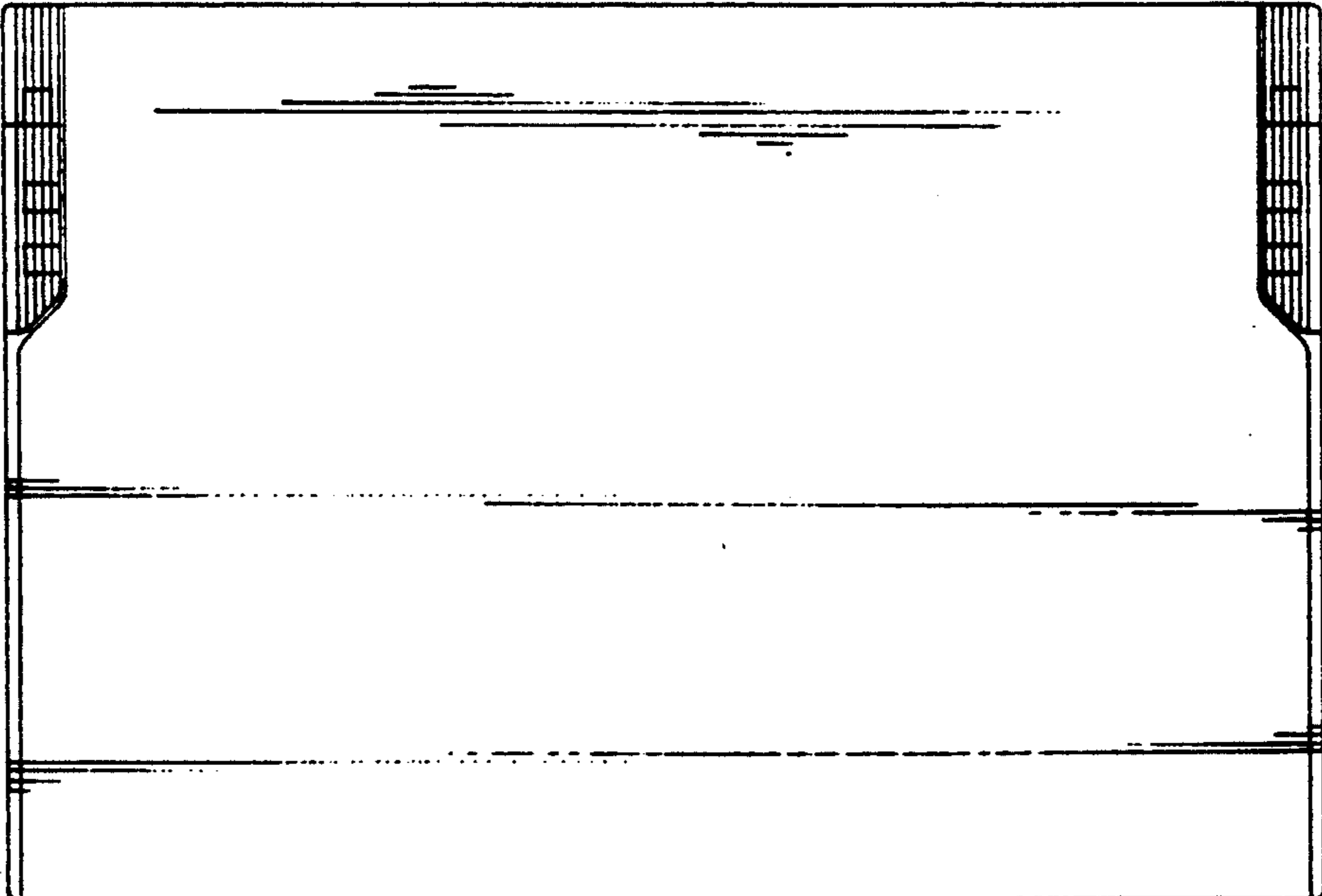


FIG. 3

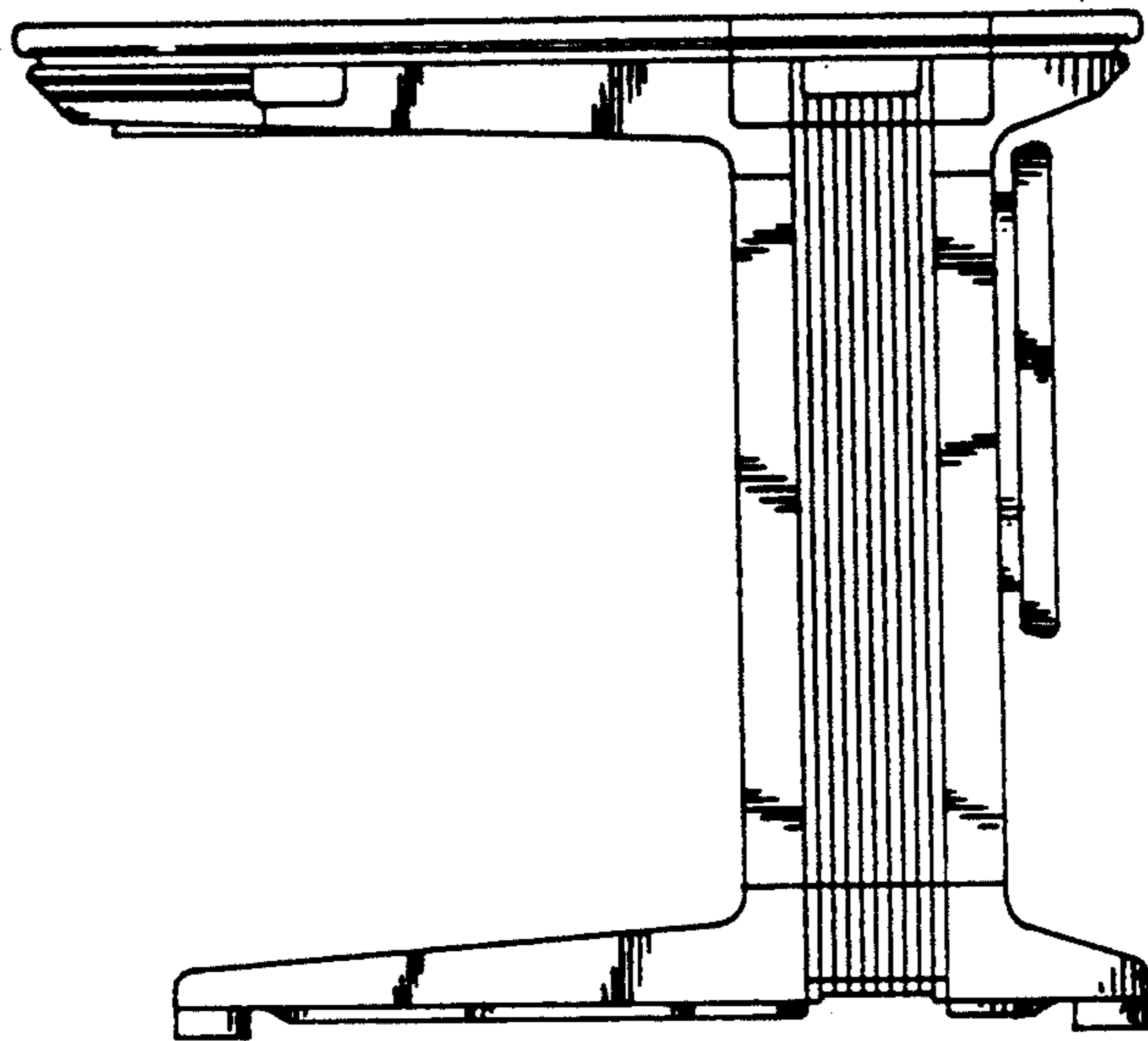


FIG. 4

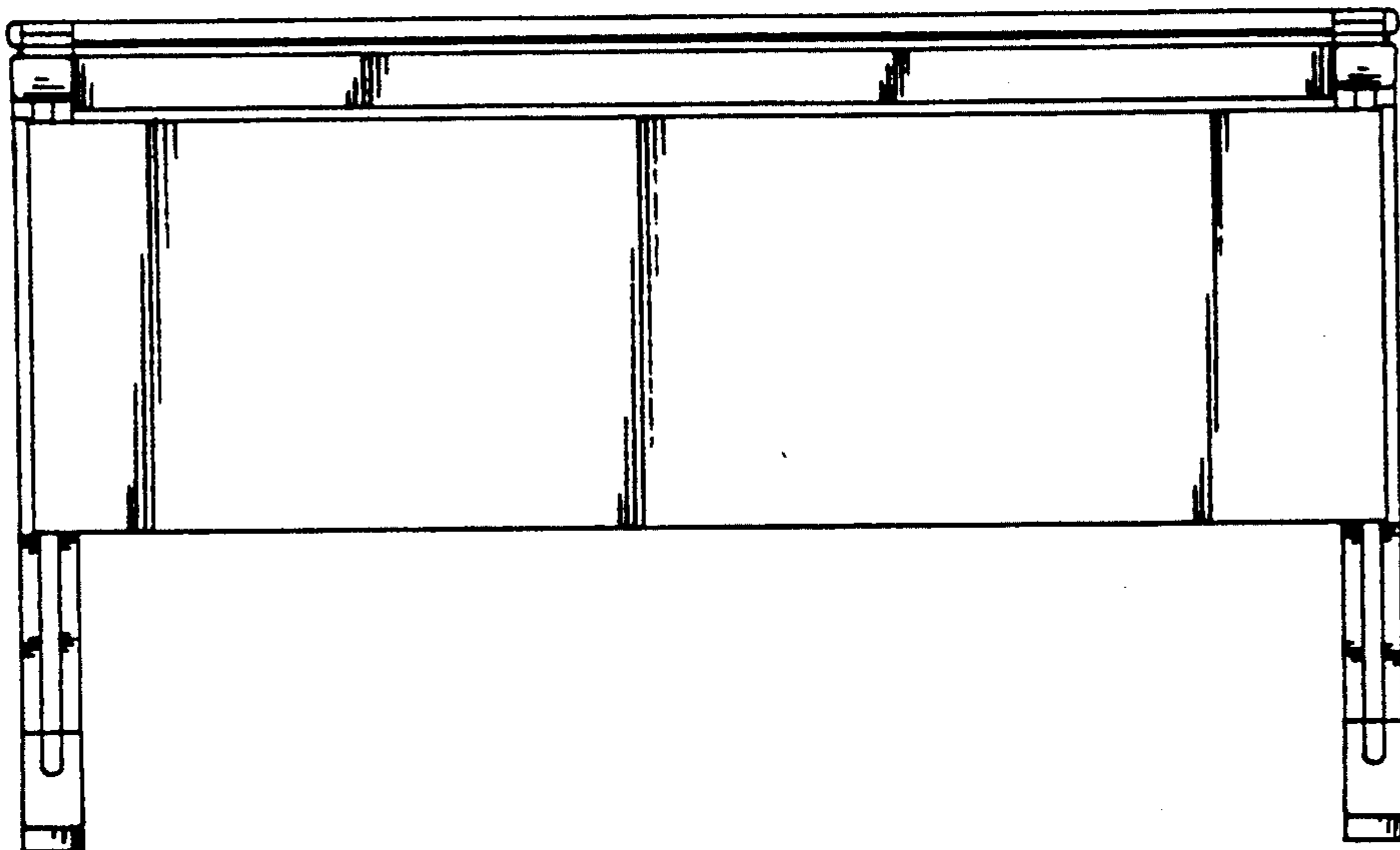
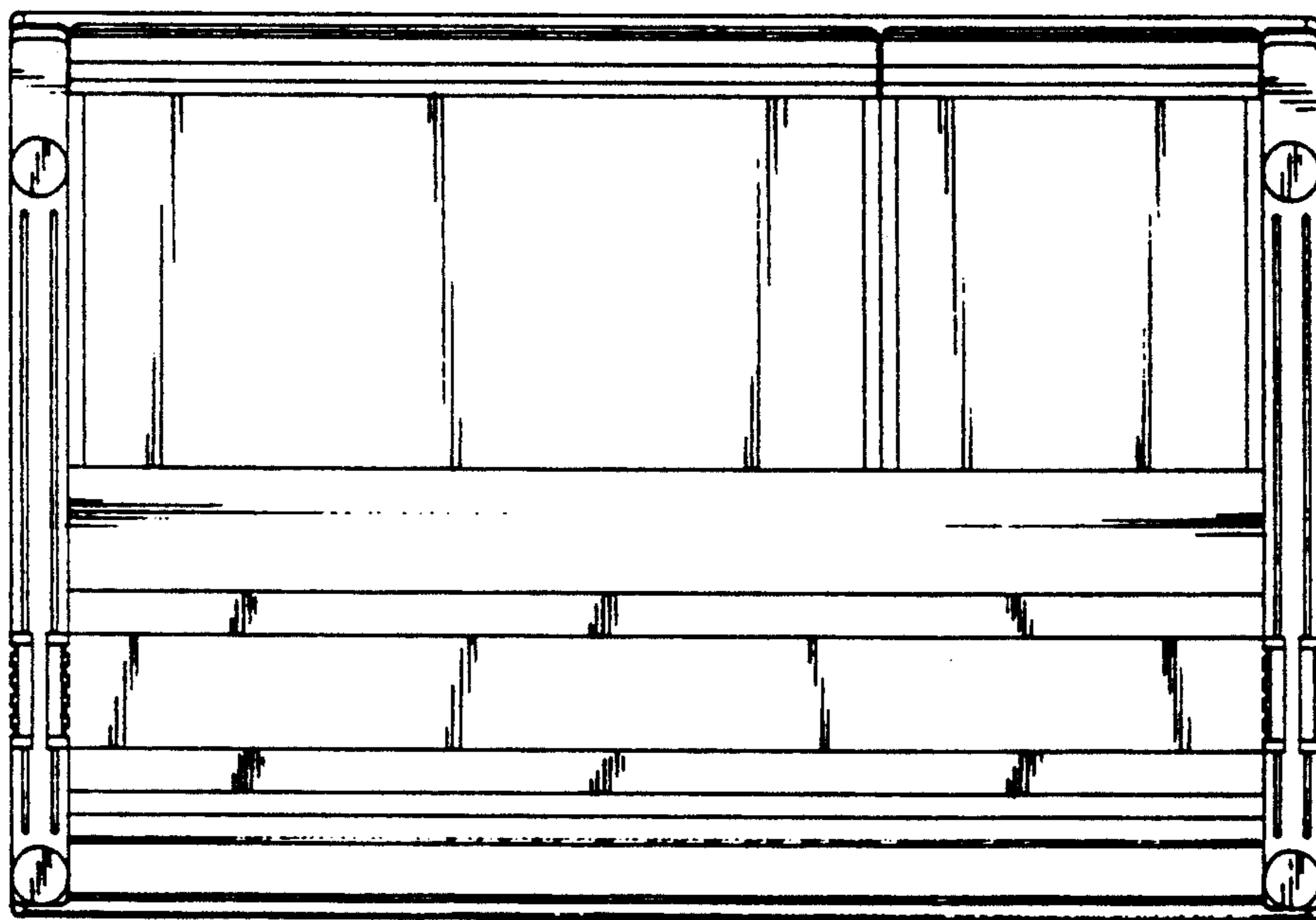


FIG. 5



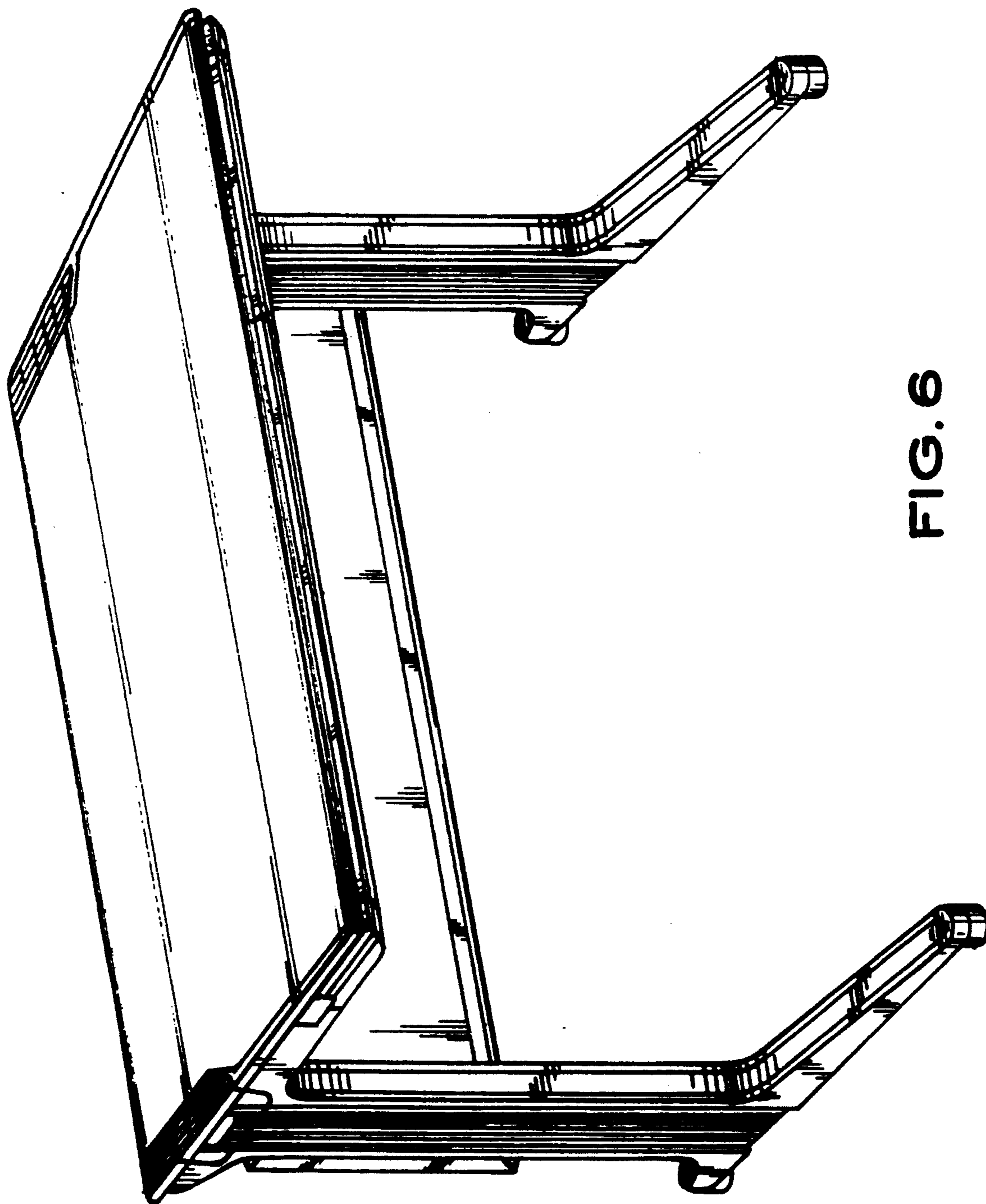


FIG. 6