



US00D334102S

United States Patent [19]

Spriggs et al.

[11] Patent Number: **Des. 334,102**

[45] Date of Patent: **** Mar. 23, 1993**

[54] **RACK FOR SUPPORTING JANITORIAL CLEANING SOLUTION CONCENTRATE CONTAINERS AND SPRAY GUN APPLICATOR**

3,606,022 9/1971 Beesley, Jr. 211/181 X
4,598,891 7/1986 Hanert 248/302
4,893,770 1/1990 Bajak et al. 248/309.1 X

[75] Inventors: **John R. Spriggs**, Minneapolis; **James D. Decker**, Apple Valley; **James L. Copeland**, Burnsville, all of Minn.

Primary Examiner—Brian N. Vinson
Attorney, Agent, or Firm—Merchant, Gould, Smith, Edell, Welter & Schmidt

[73] Assignee: **Ecolab Inc.**, St. Paul, Minn.

[**] Term: **14 Years**

[57] **CLAIM**

The ornamental design for a rack for supporting janitorial cleaning solution concentrate containers and spray gun applicator, as shown and described.

[21] Appl. No.: **781,288**

DESCRIPTION

[22] Filed: **Oct. 23, 1991**

FIG. 1 is a top, front and right side perspective view of a rack for supporting janitorial cleaning solution concentrate containers and spray gun applicator showing our new design;

[52] U.S. Cl. **D6/462; D6/566**

FIG. 2 is a top plan view thereof;

[58] Field of Search **D6/512, 553, 567, 566, D6/572, 462, 466; 211/13, 71, 74, 181, 182; 248/127, 146, 176, 302, 309.1, 310, 311.2**

FIG. 3 is a front elevational view thereof;

FIG. 4 is a right side elevational view thereof;

[56] **References Cited**

U.S. PATENT DOCUMENTS

3,204,903 9/1965 Stoddard 248/302 X

FIG. 5 is a left side elevational view thereof;

FIG. 6 is a rear elevational view thereof; and,

FIG. 7 is a bottom plan view thereof.

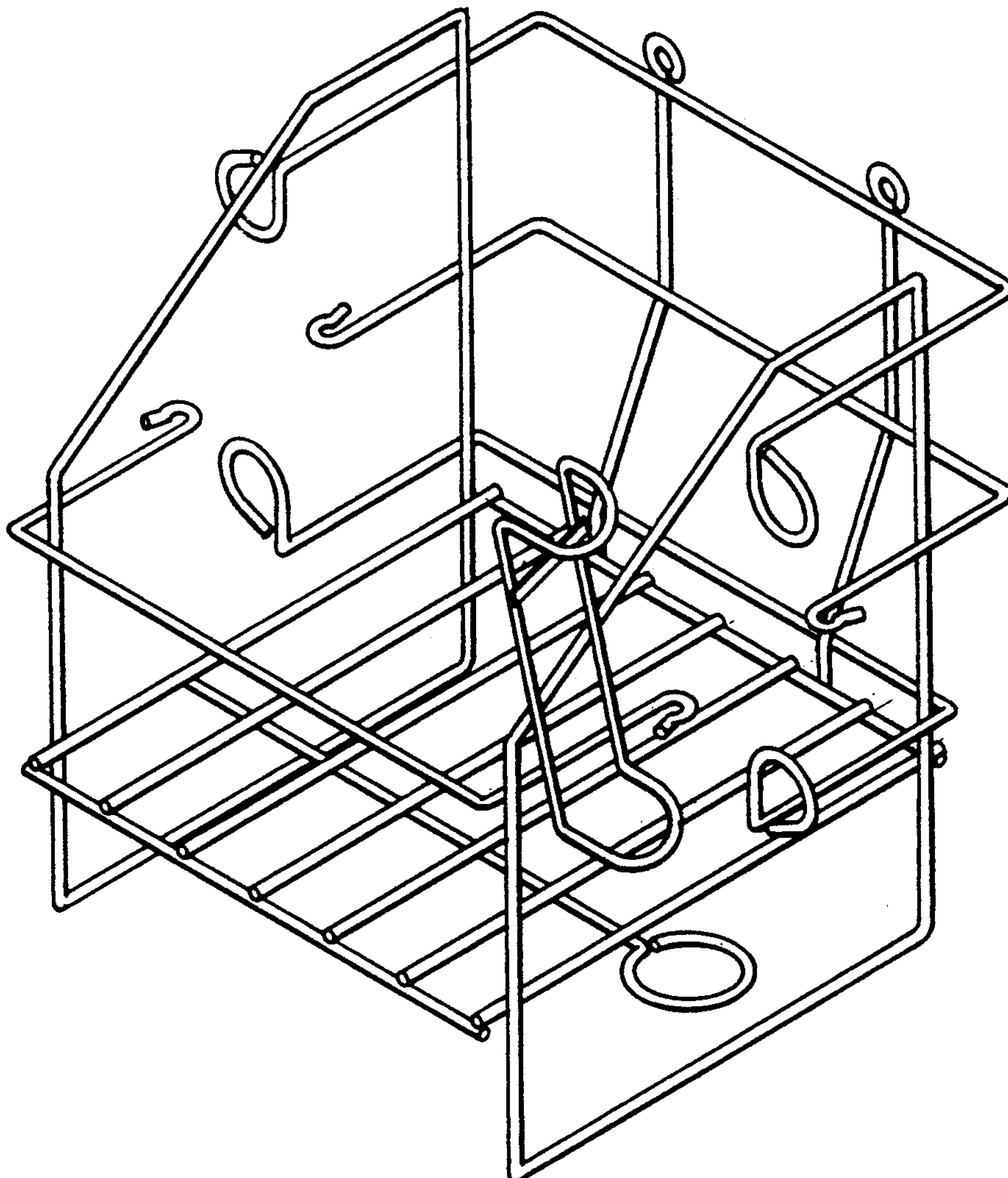
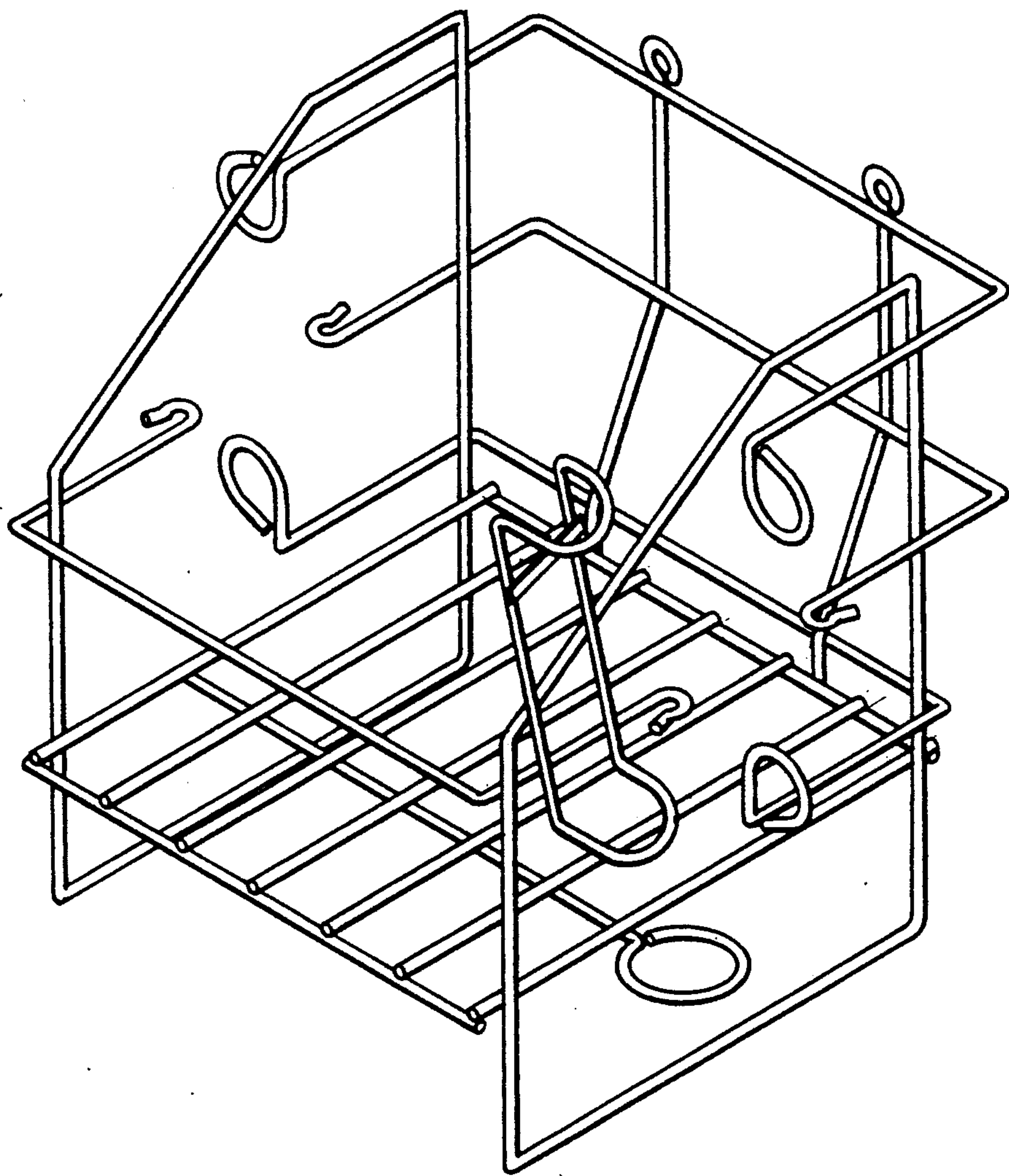


FIG. 1



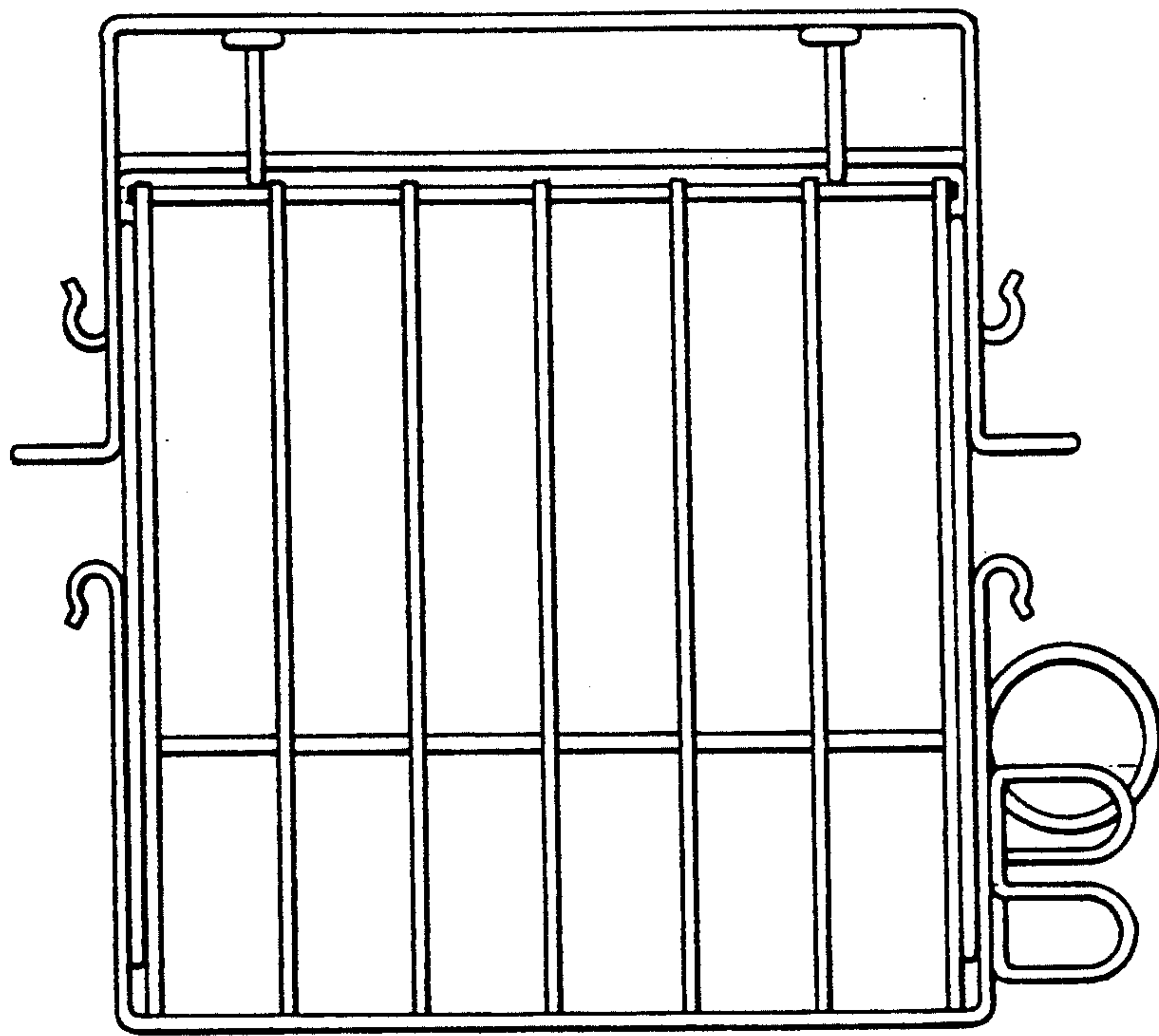


FIG. 2

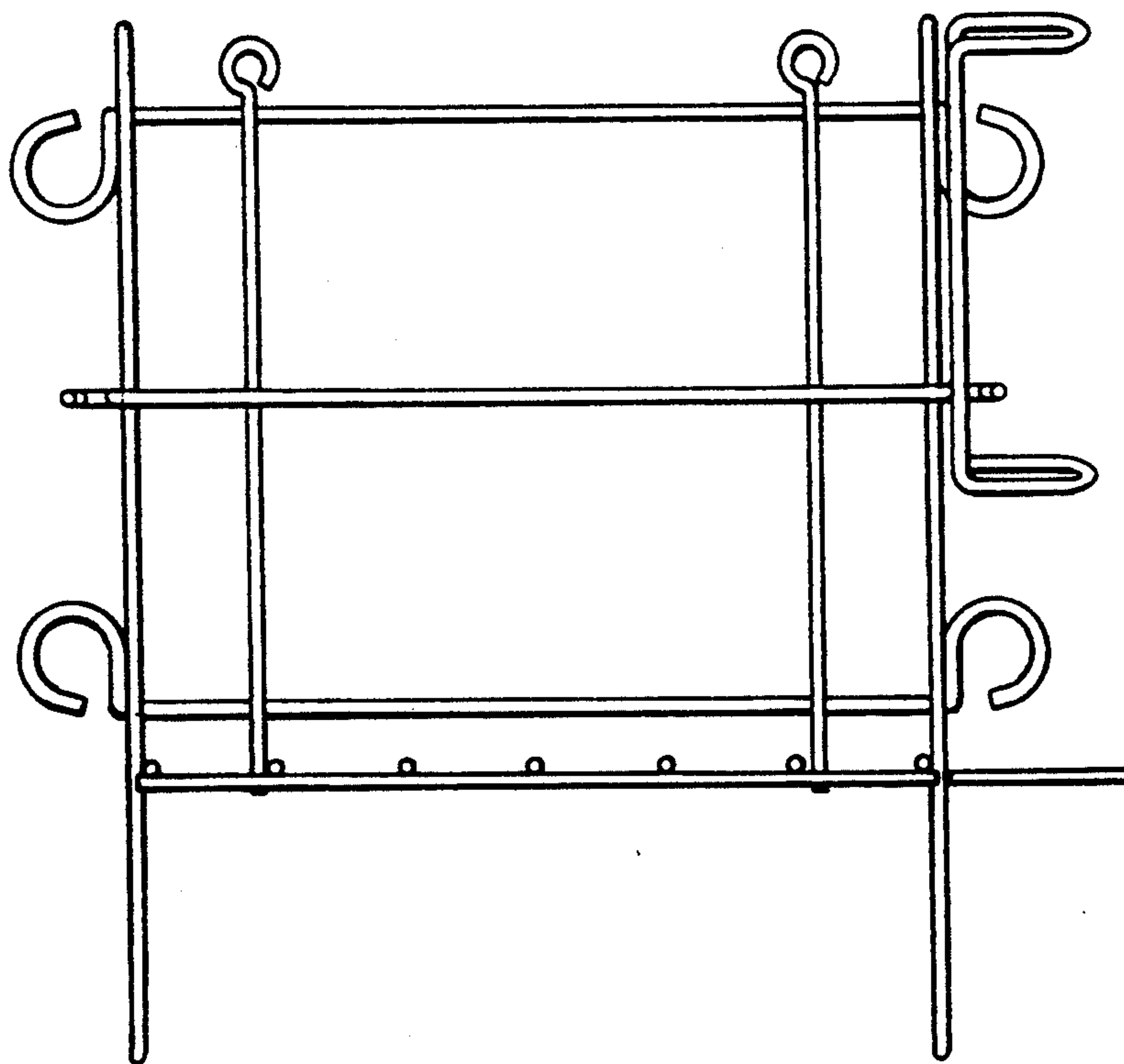


FIG. 3

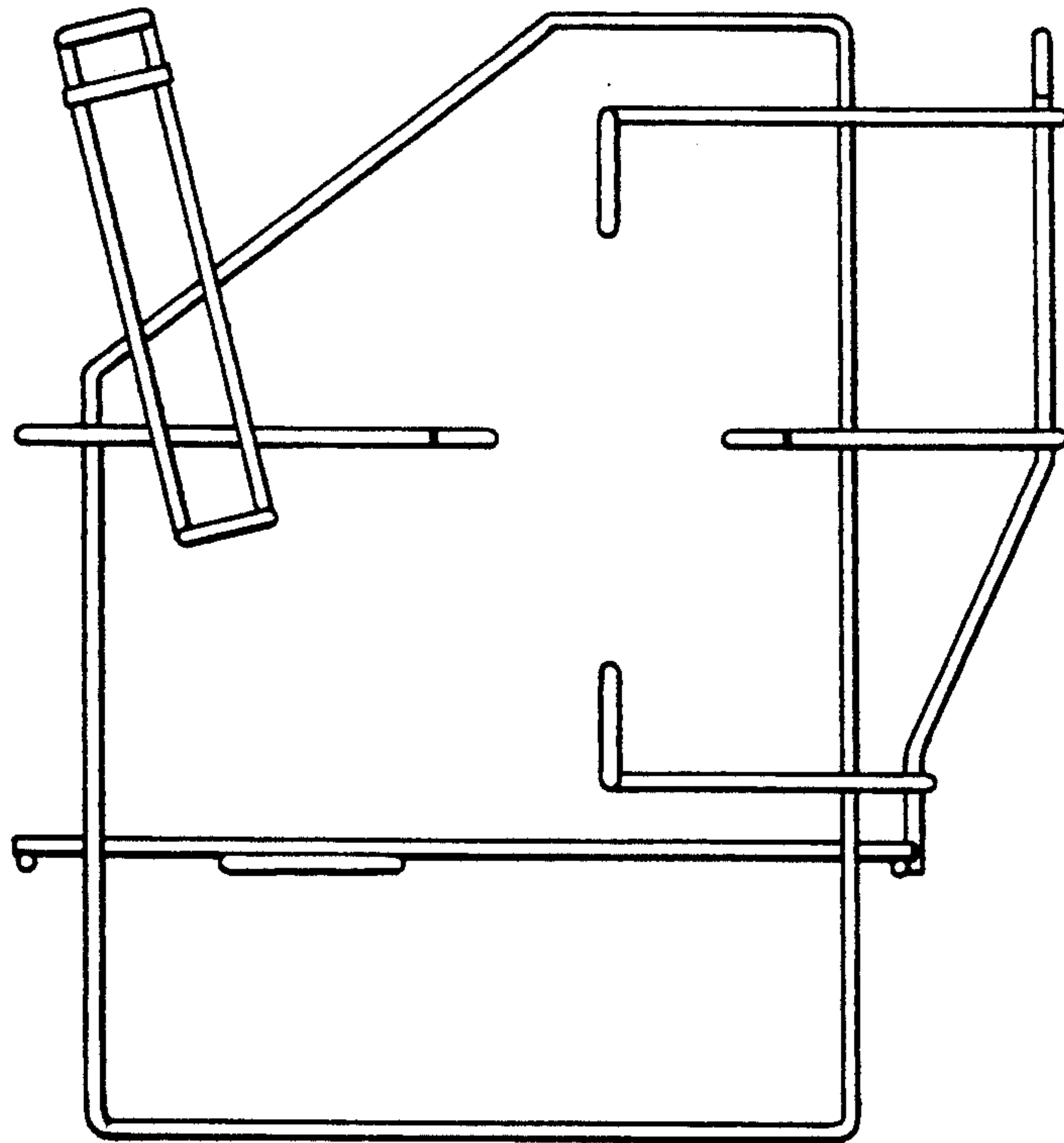


FIG. 4

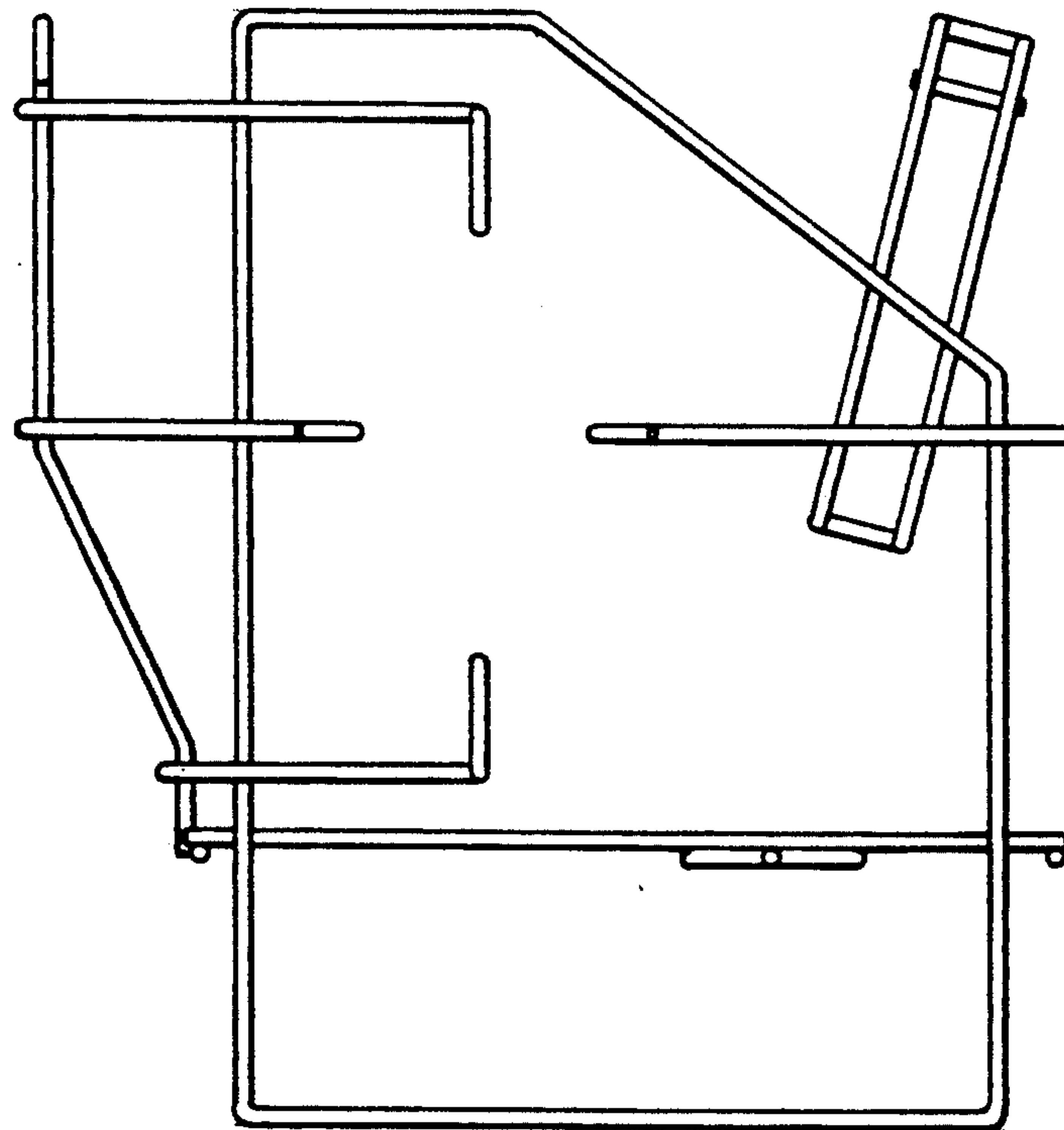


FIG. 5

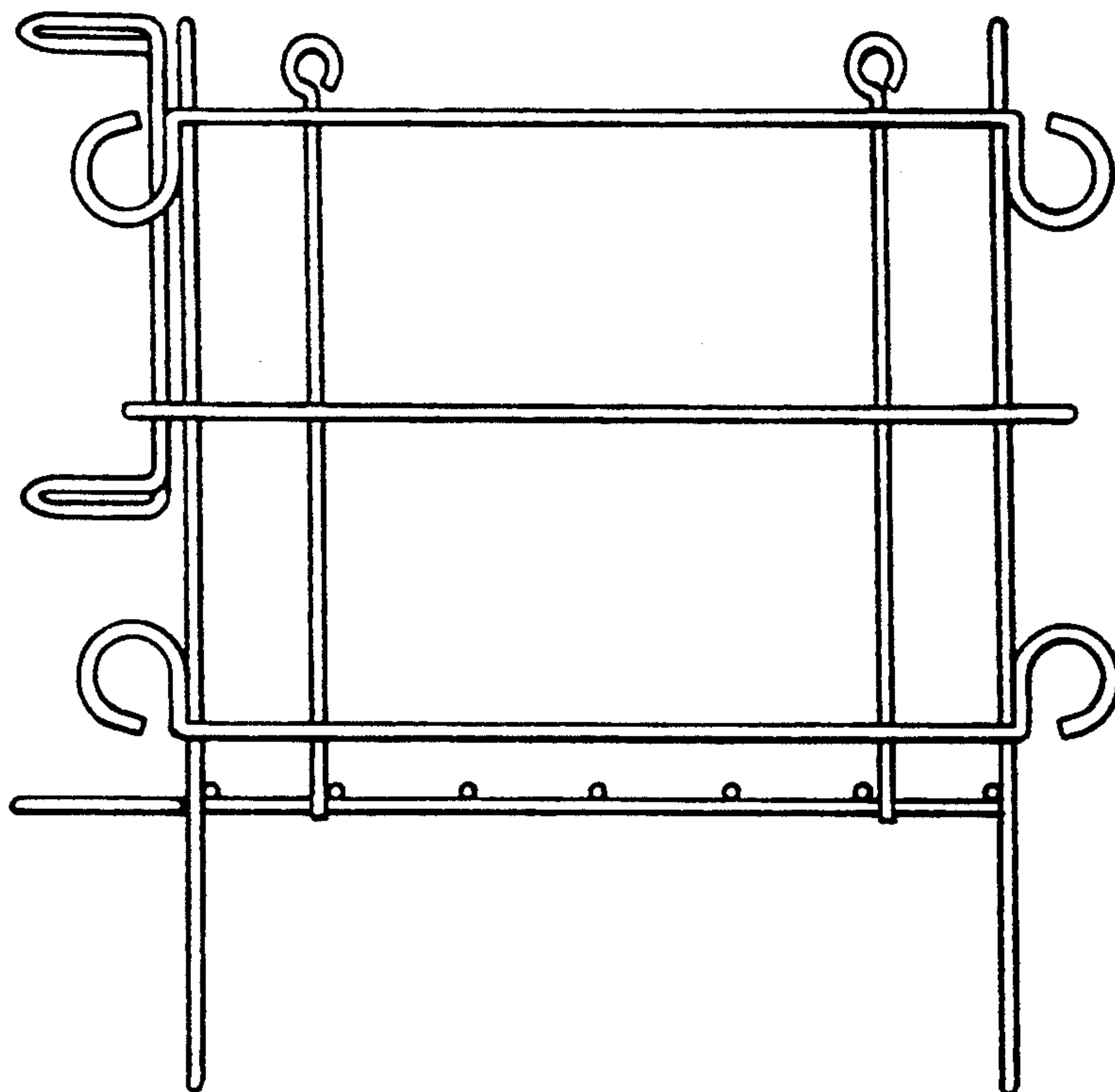


FIG. 6

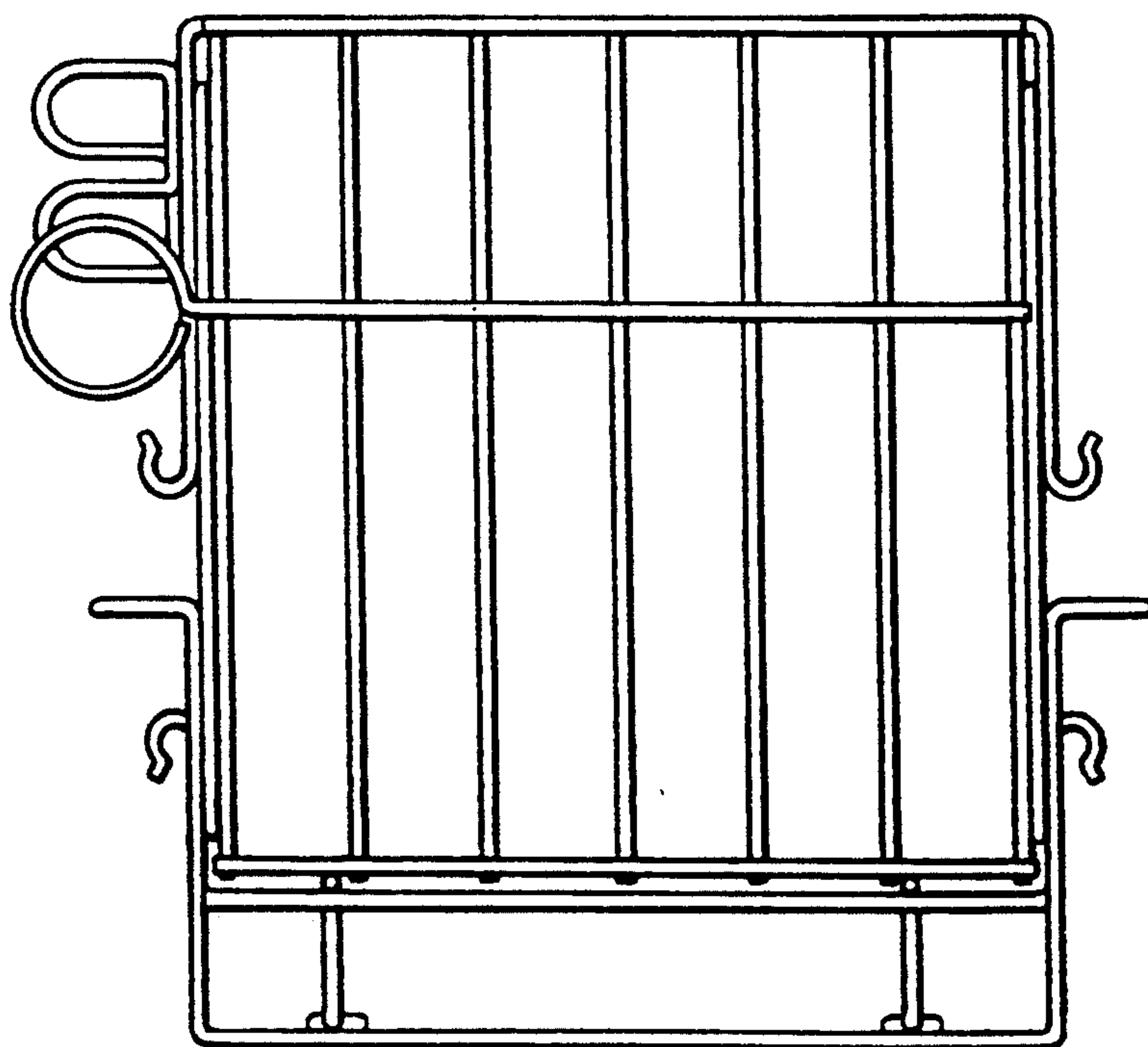


FIG. 7