



US00D334093S

United States Patent [19]

[11] Patent Number: **Des. 334,093**

Fredeman

[45] Date of Patent: **** Mar. 23, 1993**

[54] **GAME CARRIER**

[76] Inventor: **Scott J. Fredeman, 4 Balfour Dr.,
Wappingers Falls, N.Y. 12590-4802**

[**] Term: **14 Years**

[21] Appl. No.: **564,554**

[22] Filed: **Aug. 9, 1990**

[52] U.S. Cl. **D3/36**

[58] Field of Search **D3/36; 383/16; 220/403,
220/464; 206/83.5; 190/903; 224/153, 921, 158,
103; 294/15; 5/81.1, 89.1; 280/219**

4,442,557	4/1984	Clemens	224/158 X
4,686,719	8/1987	Johnson et al.	5/81.1
4,723,327	2/1988	Smith	5/89.1 X
4,823,418	4/1989	Downs	5/89.1 X
4,854,003	8/1989	Roberts .	
4,887,823	12/1989	Hallett et al.	224/921 X

Primary Examiner—A. Hugo Word
Assistant Examiner—P. A. Mortimor
Attorney, Agent, or Firm—Terry M. Gernstein

[57] CLAIM

The ornamental design for a game carrier, as shown and described.

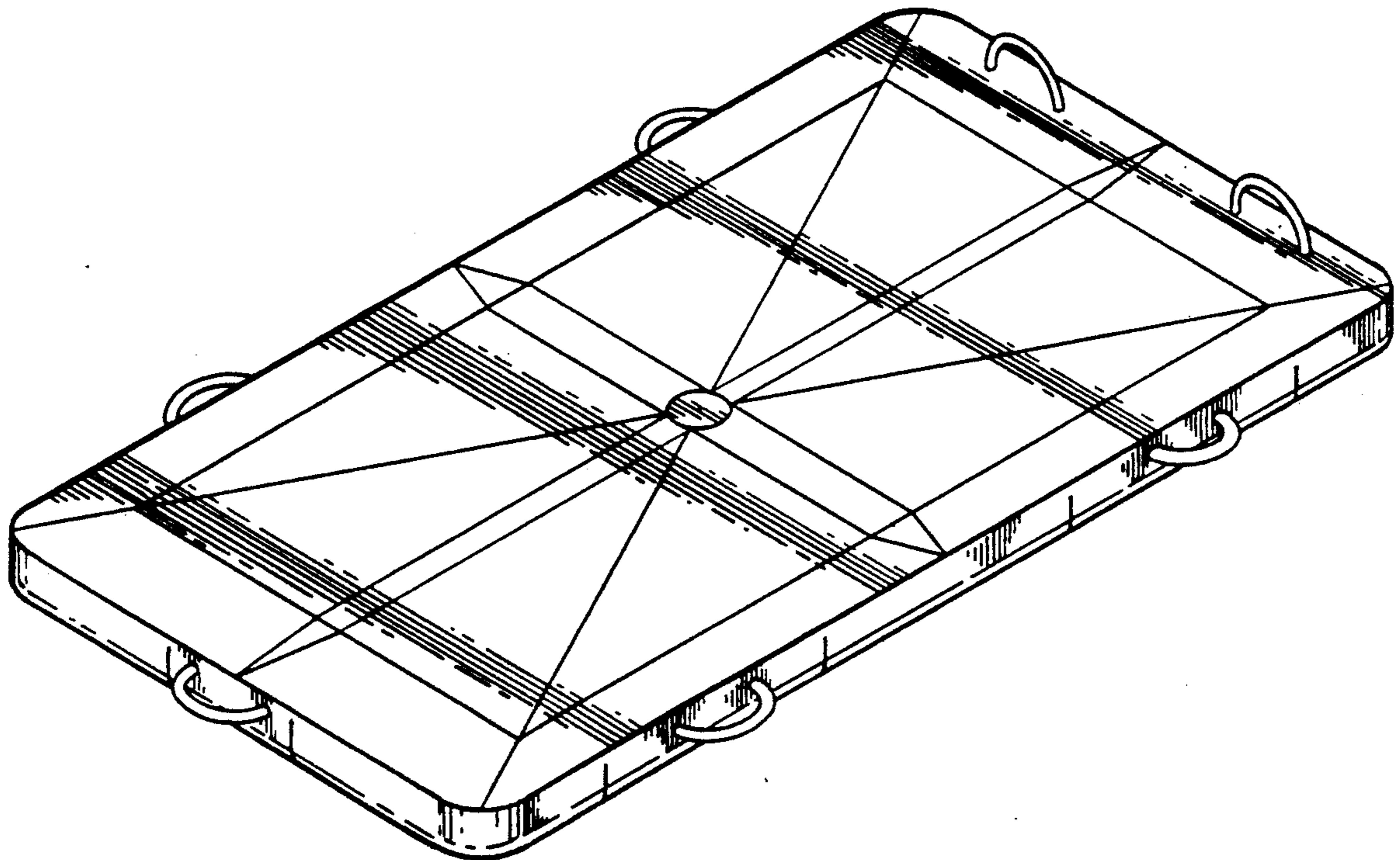
[56] References Cited

U.S. PATENT DOCUMENTS

338,349	3/1886	Johnstone	294/15
546,168	9/1895	Lobdell .	
1,173,459	2/1916	Palmer	5/89.1
1,222,973	4/1917	Morter	294/15
2,324,495	7/1943	Deming .	
2,394,805	2/1946	Reishus	224/921 X
3,797,650	3/1974	O'Brien .	
4,283,068	8/1981	Keyser	224/158 X

DESCRIPTION

FIG. 1 is a front perspective view of a game carrier showing my new design;
FIG. 2 is a front elevational view thereof, the rear being a mirror image of the front shown in FIG. 2;
FIG. 3 is an end elevational view thereof;
FIG. 4 is an end elevational view thereof;
FIG. 5 is a top plan view thereof; and,
FIG. 6 is a bottom view thereof.



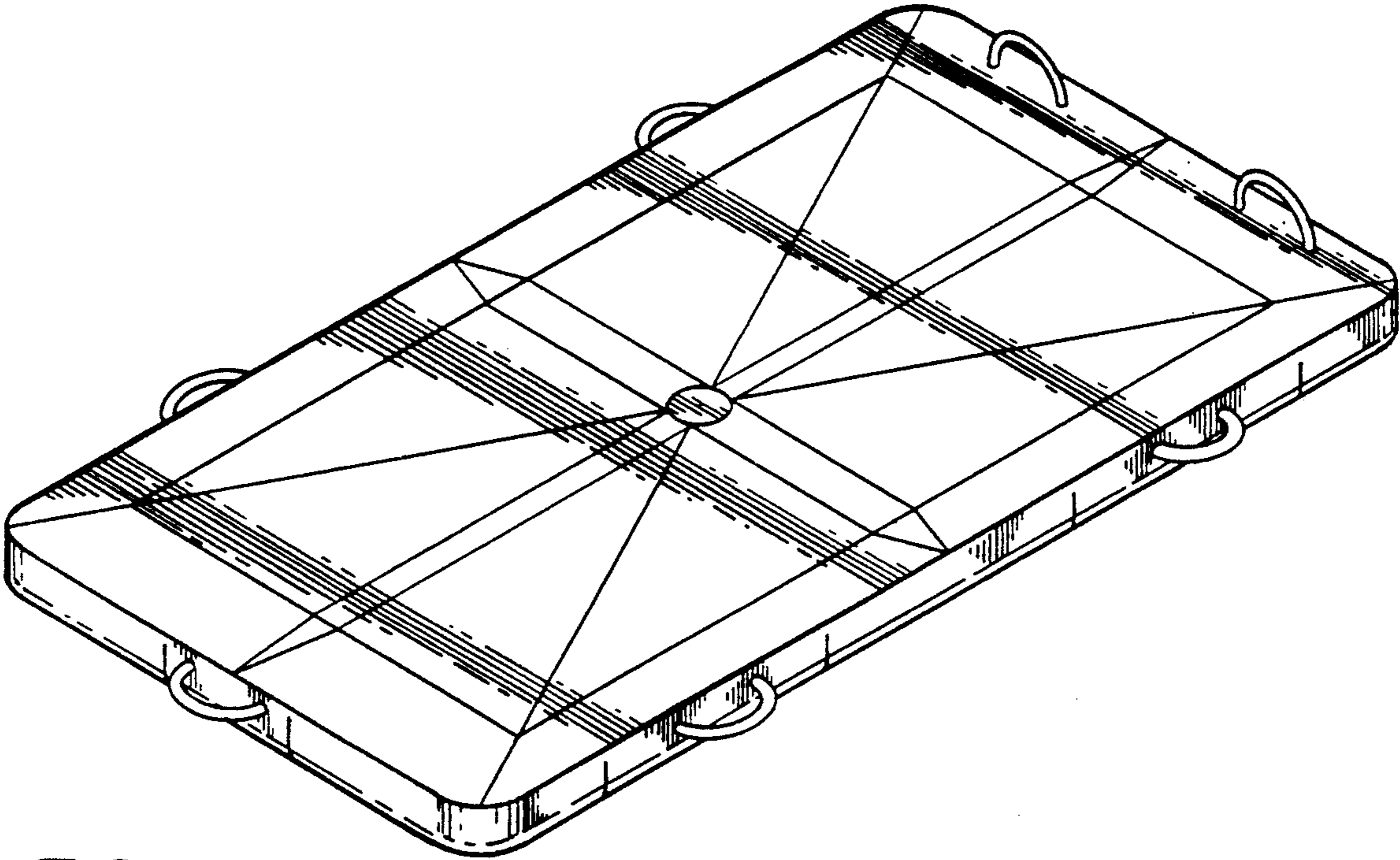


FIG. 1

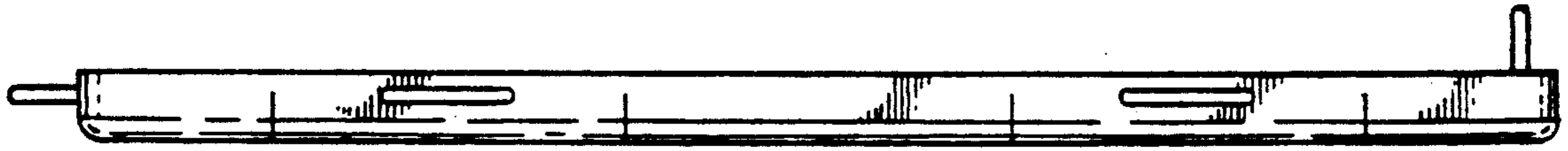


FIG. 2

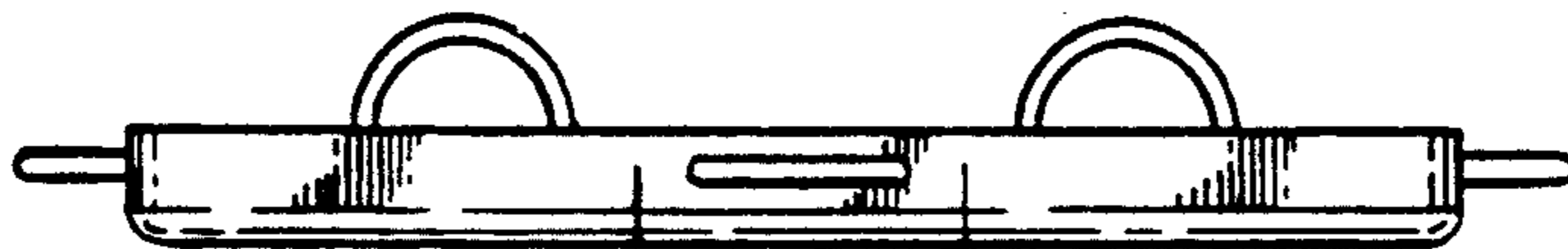


FIG. 3



FIG. 4

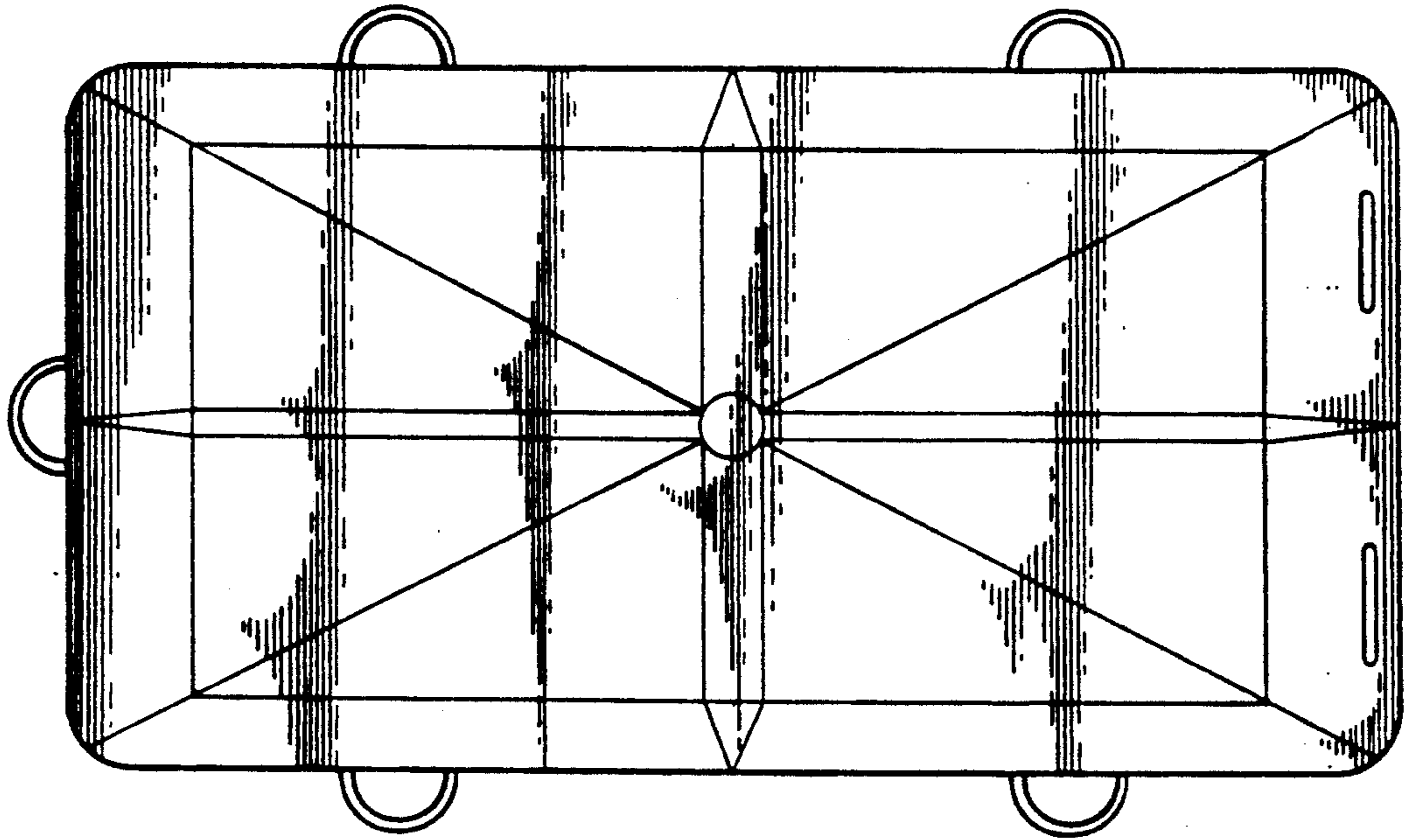


FIG. 5

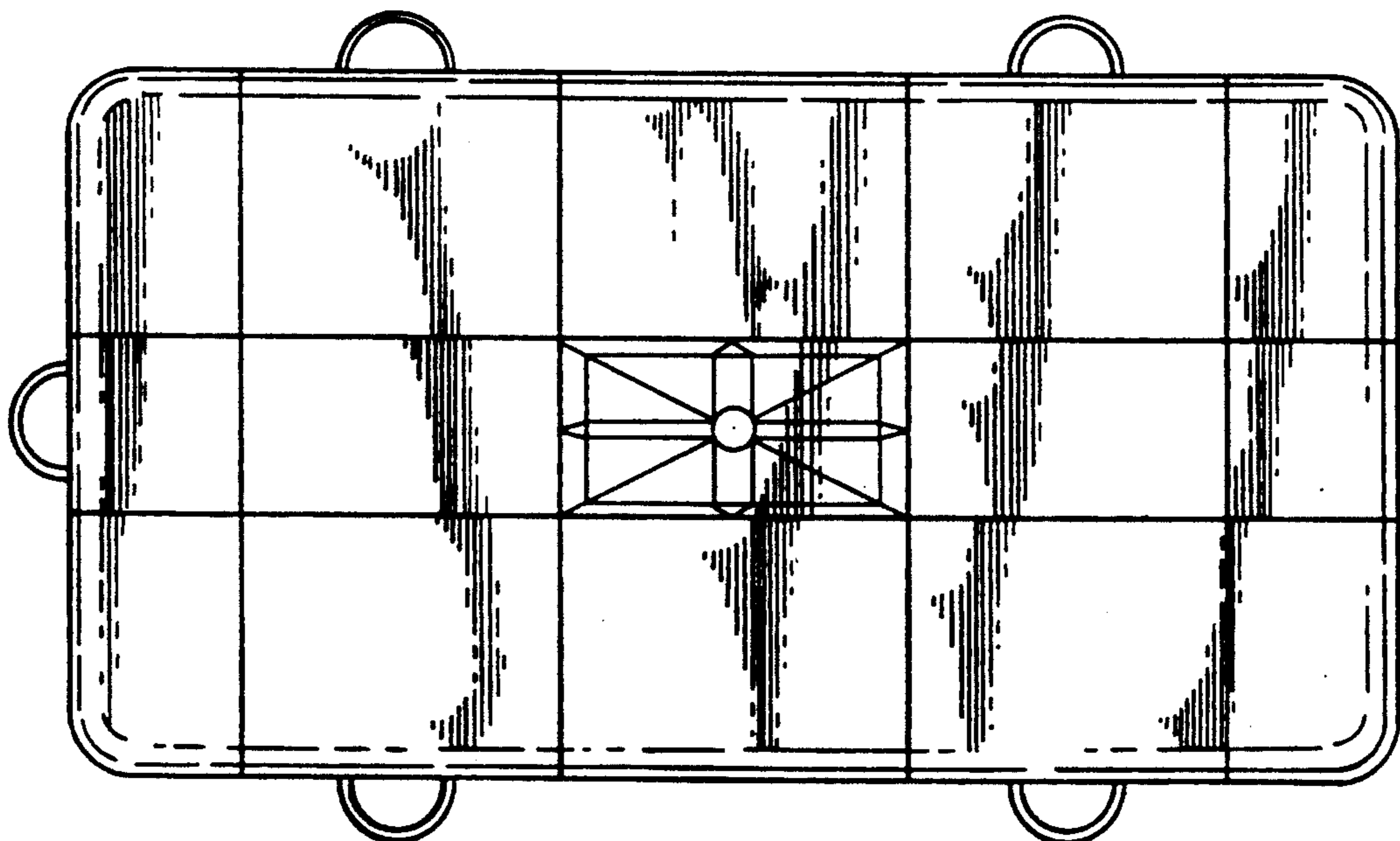


FIG. 6