



US00D334076S

United States Patent [19]

[11] Patent Number: **Des. 334,076**

Dieperink et al.

[45] Date of Patent: **** Mar. 16, 1993**

[54] **LUMINAIRE**

[56] **References Cited**

[75] Inventors: **Menno Dieperink, Amsterdam;**
Stefanus F. W. Joosten, Eindhoven,
both of Netherlands

U.S. PATENT DOCUMENTS

D. 193,575	9/1962	Blitzer	D26/76
D. 292,026	9/1987	Krol	D26/77
D. 301,278	5/1989	Hughes et al.	D26/78
2,647,985	8/1953	Biller	D26/74 X
2,963,251	12/1960	Fuss	362/404 X

[73] Assignee: **U.S. Philips Corporation, New York,**
N.Y.

Primary Examiner—Susan J. Lucas
Attorney, Agent, or Firm—Jack E. Haken

[**] Term: **14 Years**

[57] **CLAIM**

[21] Appl. No.: **506,660**

The ornamental design for a luminaire, as shown.

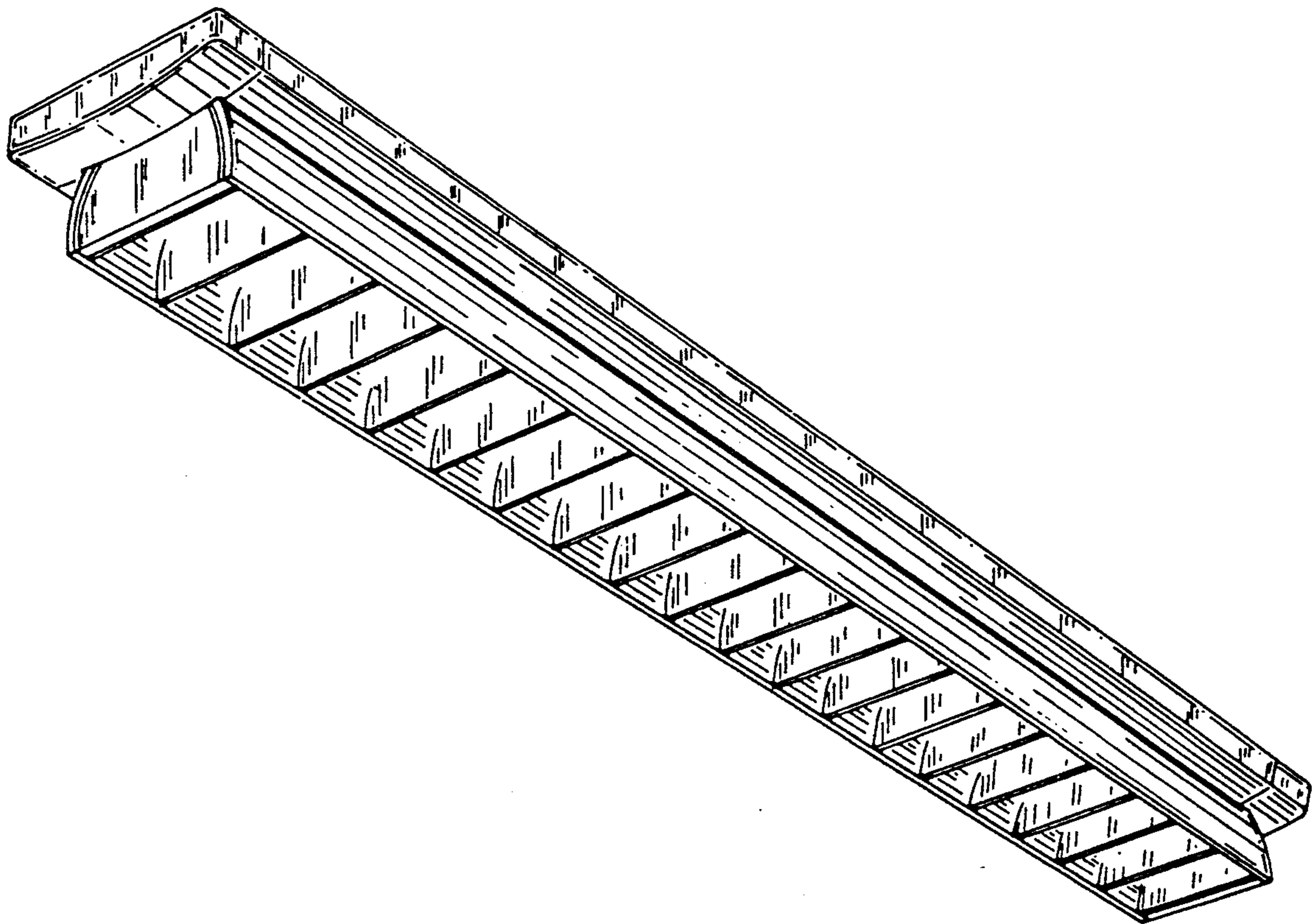
[22] Filed: **Apr. 9, 1990**

DESCRIPTION

[30] **Foreign Application Priority Data**

FIG. 1 is a bottom perspective view of a luminaire showing our new design;
FIG. 2 is a front elevational view thereof;
FIG. 3 is a rear elevational view thereof;
FIG. 4 is a left side elevational view thereof;
FIG. 5 is a right side elevational view thereof;
FIG. 6 is a top plan view thereof; and,
FIG. 7 is a bottom plan view thereof.

Oct. 30, 1989 [WO] World Int. Prop. O. ... DM/014.914
 [52] U.S. Cl. **D26/77**
 [58] Field of Search **D26/72-92;**
 362/147, 404, 432, 217, 222, 223, 362



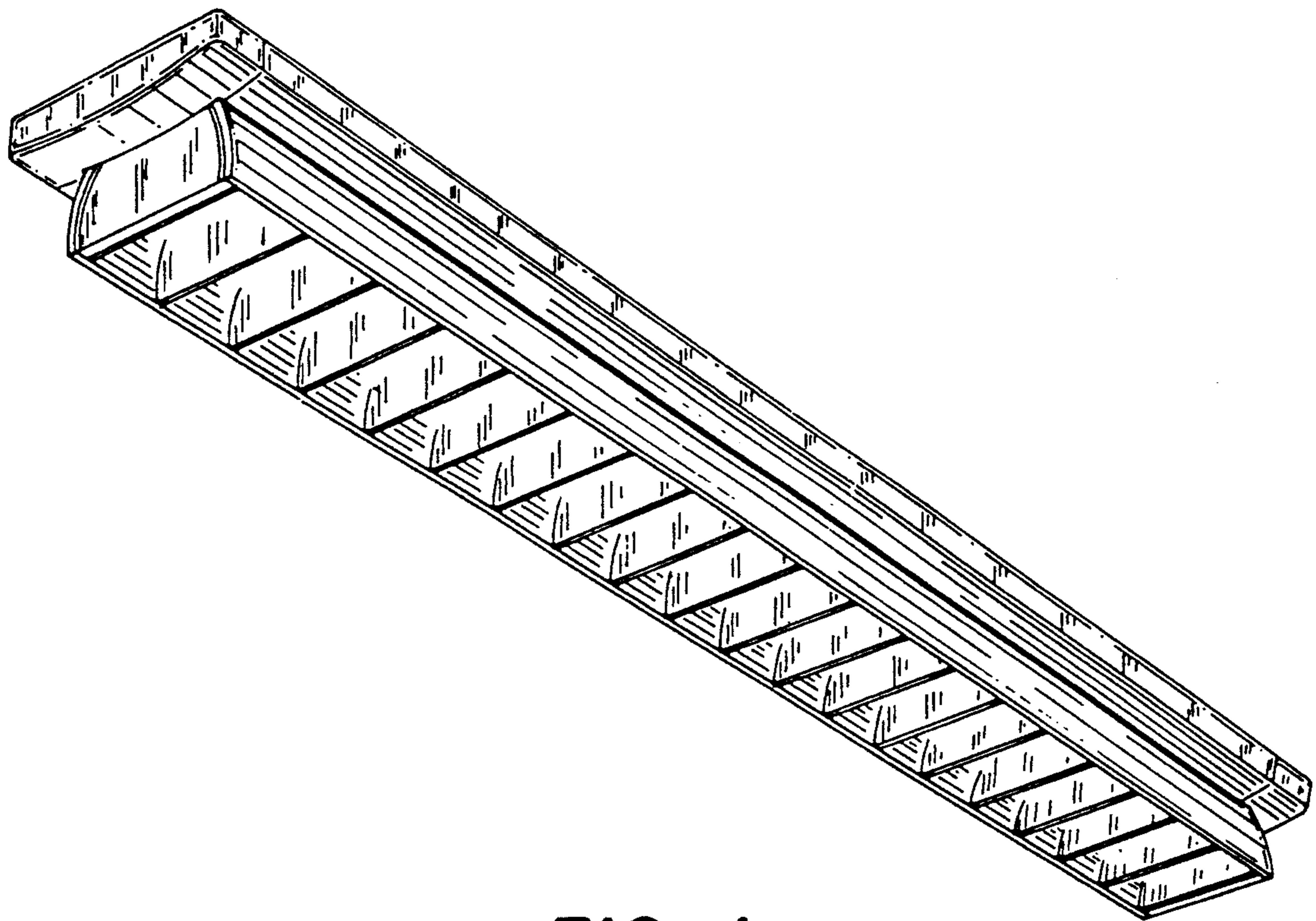


FIG. 1

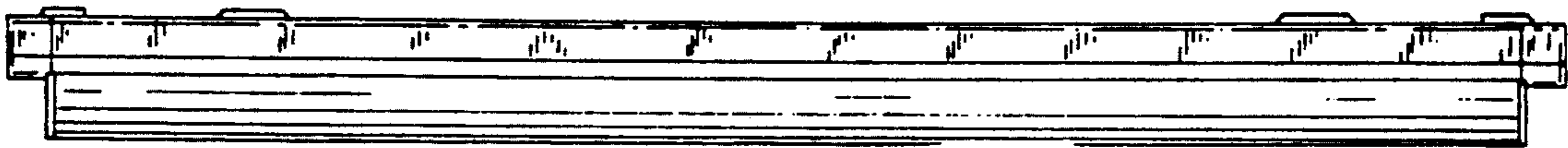


FIG. 2

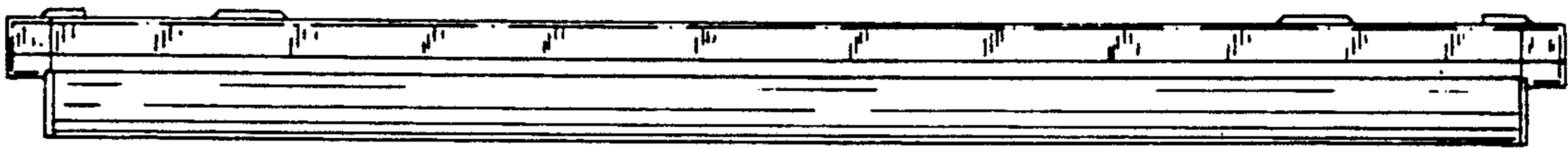


FIG. 3



FIG. 4



FIG. 5

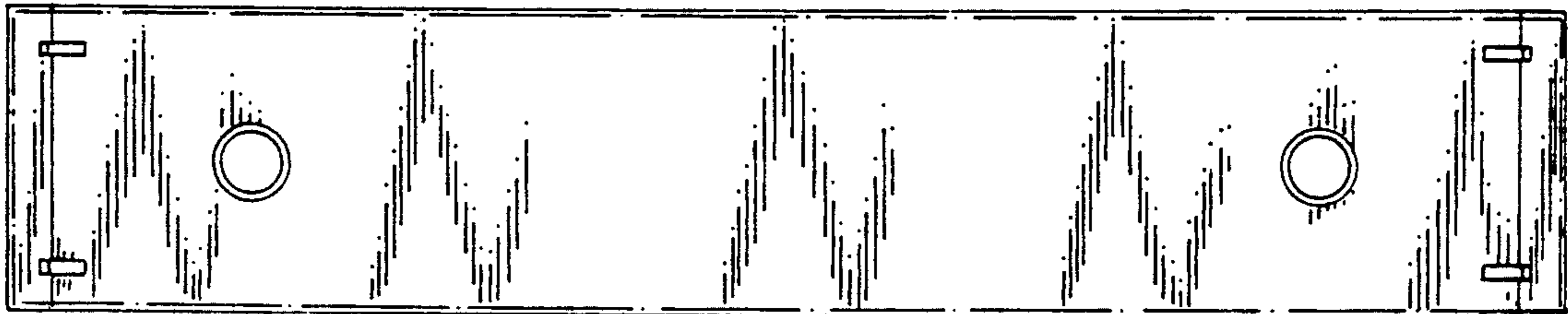


FIG. 6

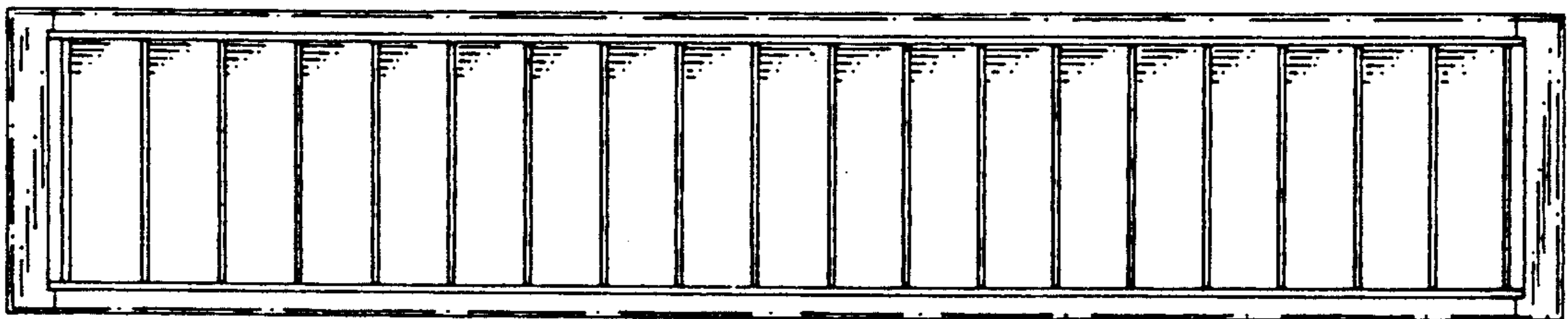


FIG. 7