



US00D334070S

United States Patent [19]
Cole

[11] **Patent Number: Des. 334,070**

[45] **Date of Patent: ** Mar. 16, 1993**

[54] **WINDOW COMPONENT EXTRUSION**

[75] **Inventor: Douglas L. Cole, Seattle, Wash.**

[73] **Assignee: Mikron Industries, Kent, Wash.**

[**] **Term: 14 Years**

[21] **Appl. No.: 673,216**

[22] **Filed: Mar. 20, 1991**

[52] **U.S. Cl. D25/124**

[58] **Field of Search D25/52, 119-125;
49/75, 501, 504, 404, 413, 419, DIG. 1; 52/202,
731, 735**

[56] **References Cited**

U.S. PATENT DOCUMENTS

D. 308,103 5/1990 Westphal et al. D25/124
4,351,131 9/1982 Kubik 49/501

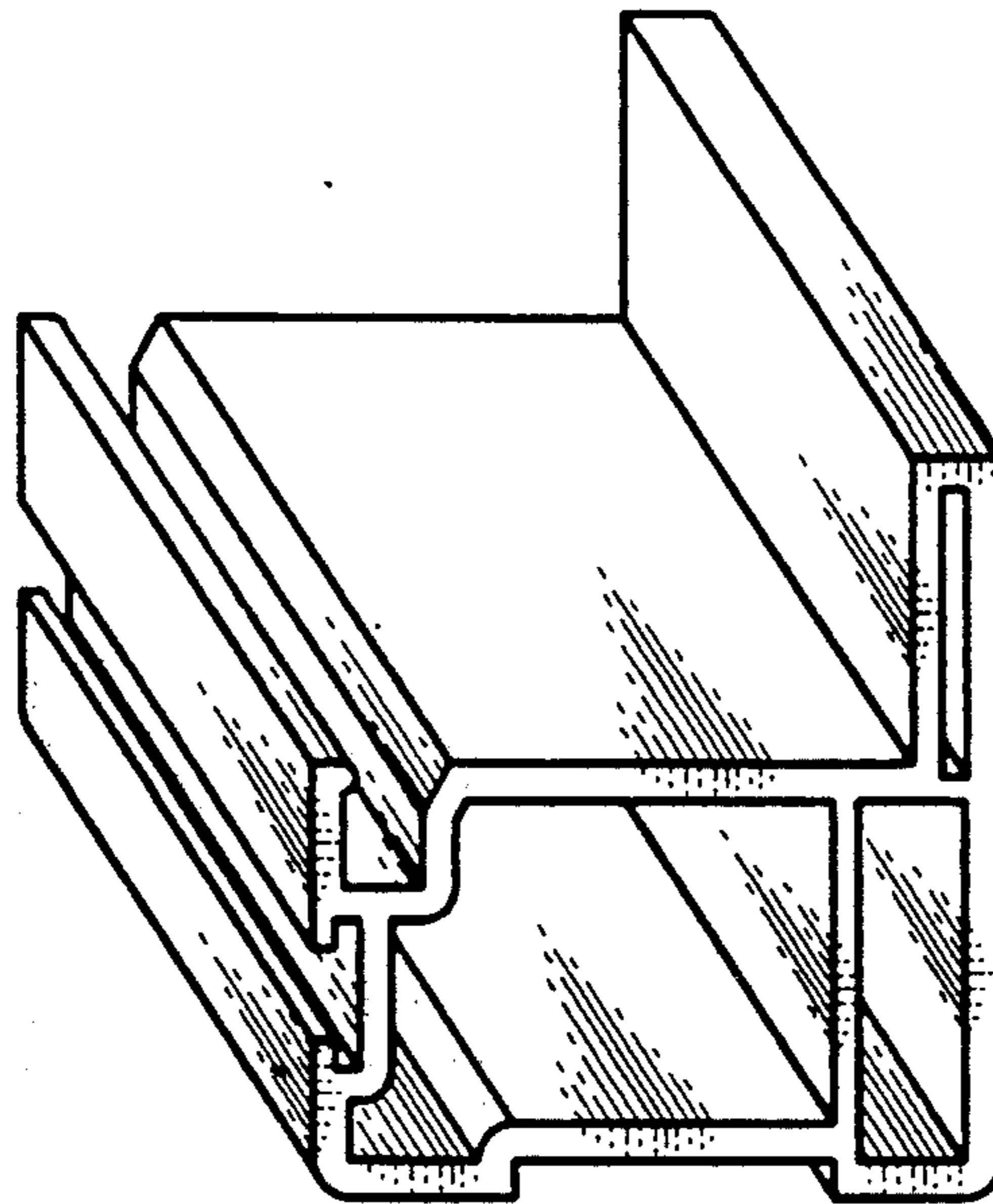
Primary Examiner—James R. Largen
Assistant Examiner—Doris Clark
Attorney, Agent, or Firm—Seed and Berry

[57] **CLAIM**

The ornamental design for a window component extrusion, as shown and described.

DESCRIPTION

FIG. 1 is a top, right, perspective view of a window component extrusion showing my new design, the window component extrusion being of indefinite length; and,
FIG. 2 is a bottom, left, perspective view thereof.



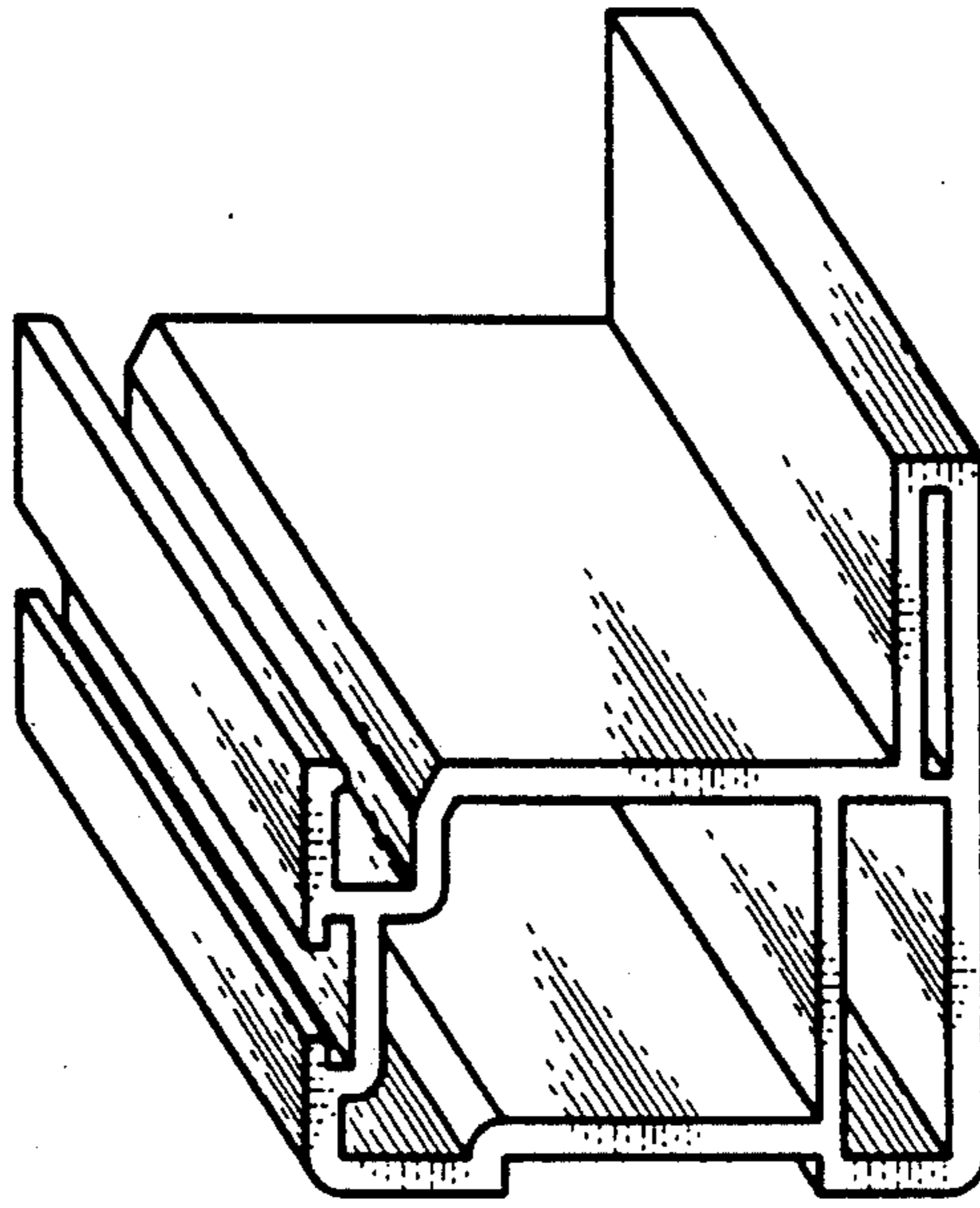


FIG. 1

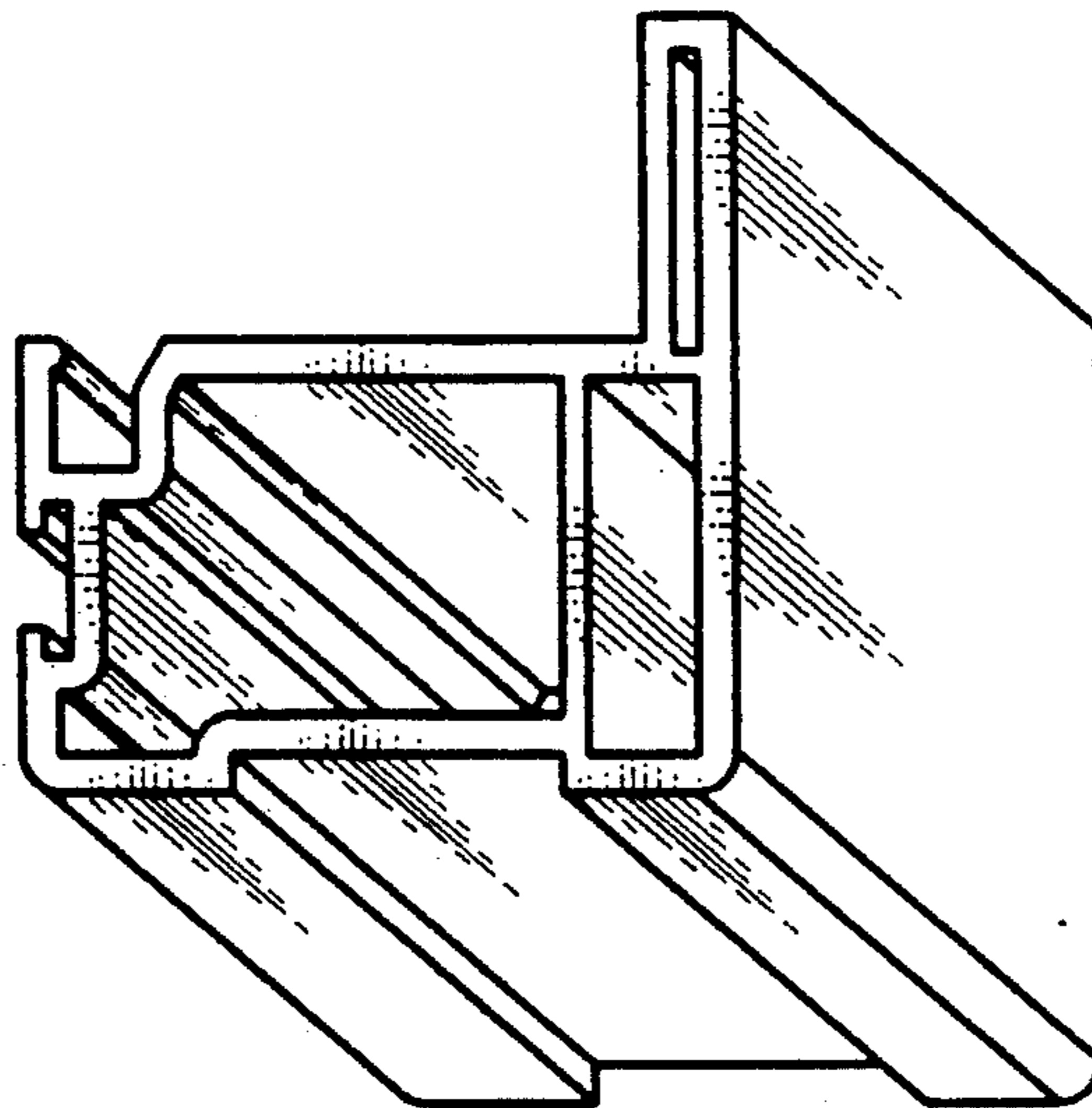


FIG. 2