



US00D334059S

United States Patent [19]

[11] Patent Number: Des. 334,059

Cathcart et al.

[45] Date of Patent: ** Mar. 16, 1993

[54] DRAINAGE INSTRUMENT FOR DRAINING BODILY FLUIDS

[75] Inventors: Bruce C. Cathcart, Lincoln, R.I.;
Quinton J. Farrar, Lakeville, Mass.

[73] Assignee: Deknatel Technology Corporation,
Wilmington, Del.

[**] Term: 14 Years

[21] Appl. No.: 770,761

[22] Filed: Sep. 27, 1991

[52] U.S. Cl. D24/118

[58] Field of Search D15/199; D24/112, 117,
D24/118; D9/415; 604/118, 276, 319, 320, 321

[56] References Cited

U.S. PATENT DOCUMENTS

D. 222,312	10/1971	Kurtz et al.	D24/117
D. 250,207	11/1978	Kurtz et al.	D24/117
D. 324,102	2/1992	Farrar et al.	D24/118
4,685,908	8/1987	Kurtz et al.	604/321
4,704,106	11/1987	Shave et al.	604/321 X
5,141,504	8/1992	Herwick et al.	604/321 X

Primary Examiner—Alan P. Douglas
Assistant Examiner—Antoine D. Davis
Attorney, Agent, or Firm—Pennie & Edmonds

[57] CLAIM

The ornamental design of a drainage instrument for draining bodily fluids, as shown and described.

DESCRIPTION

FIG. 1 is a front and right side perspective view of a drainage instrument for draining bodily fluids showing our new design;

FIG. 2 is a front elevational view thereof;

FIG. 3 is a rear elevational view thereof;

FIG. 4 is a left side elevational view thereof;

FIG. 5 is a right side elevational view thereof;

FIG. 6 is a top plan view thereof;

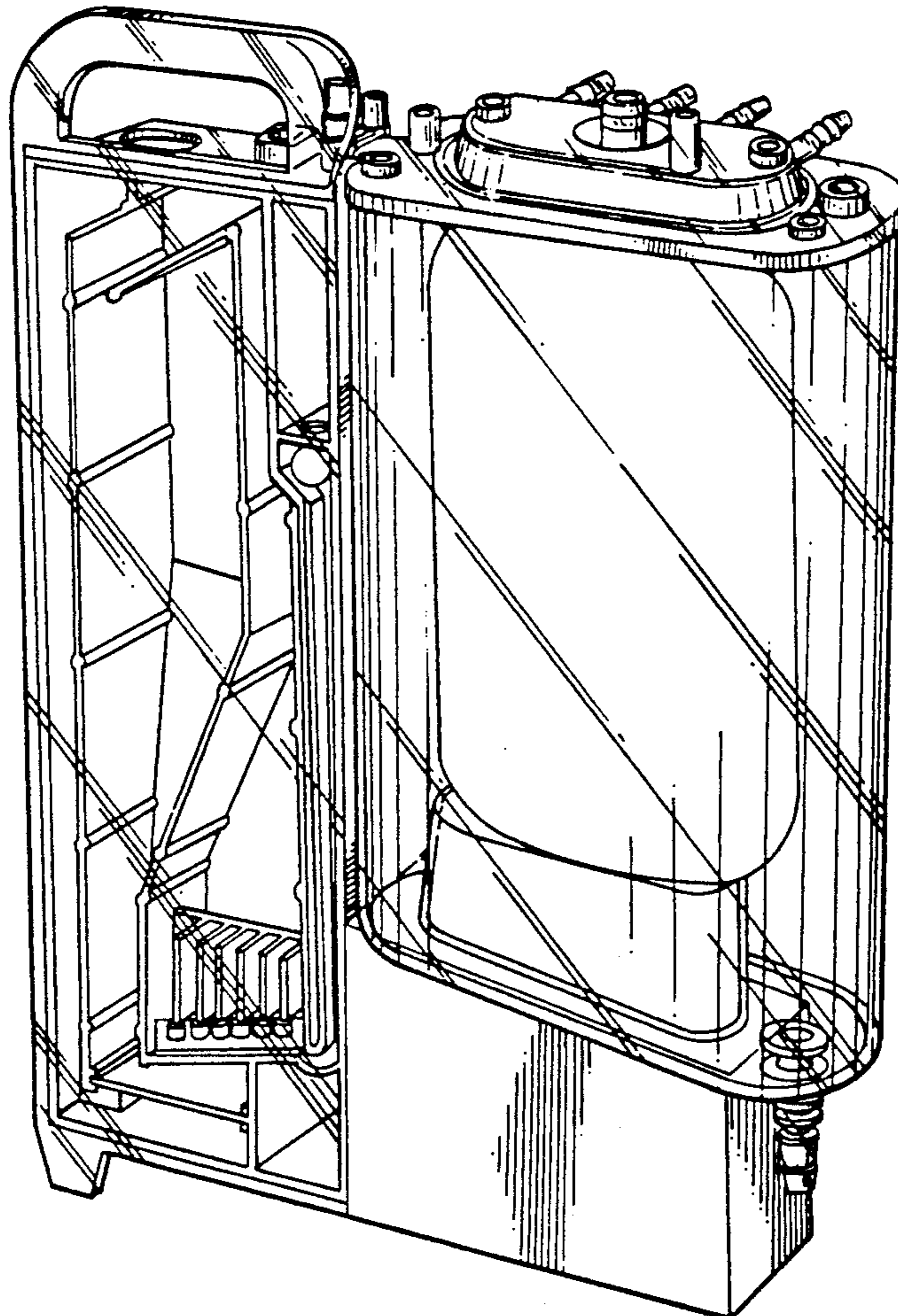
FIG. 7 is a bottom plan view thereof;

FIG. 8 is a top and right side perspective view of a second embodiment showing our new design, with the drainage cavity being shown detached;

FIG. 9 is a top and right side perspective view, the drainage cavity attached;

FIG. 10 is a top plan view thereof; and,

FIG. 11 is a bottom plan view thereof.



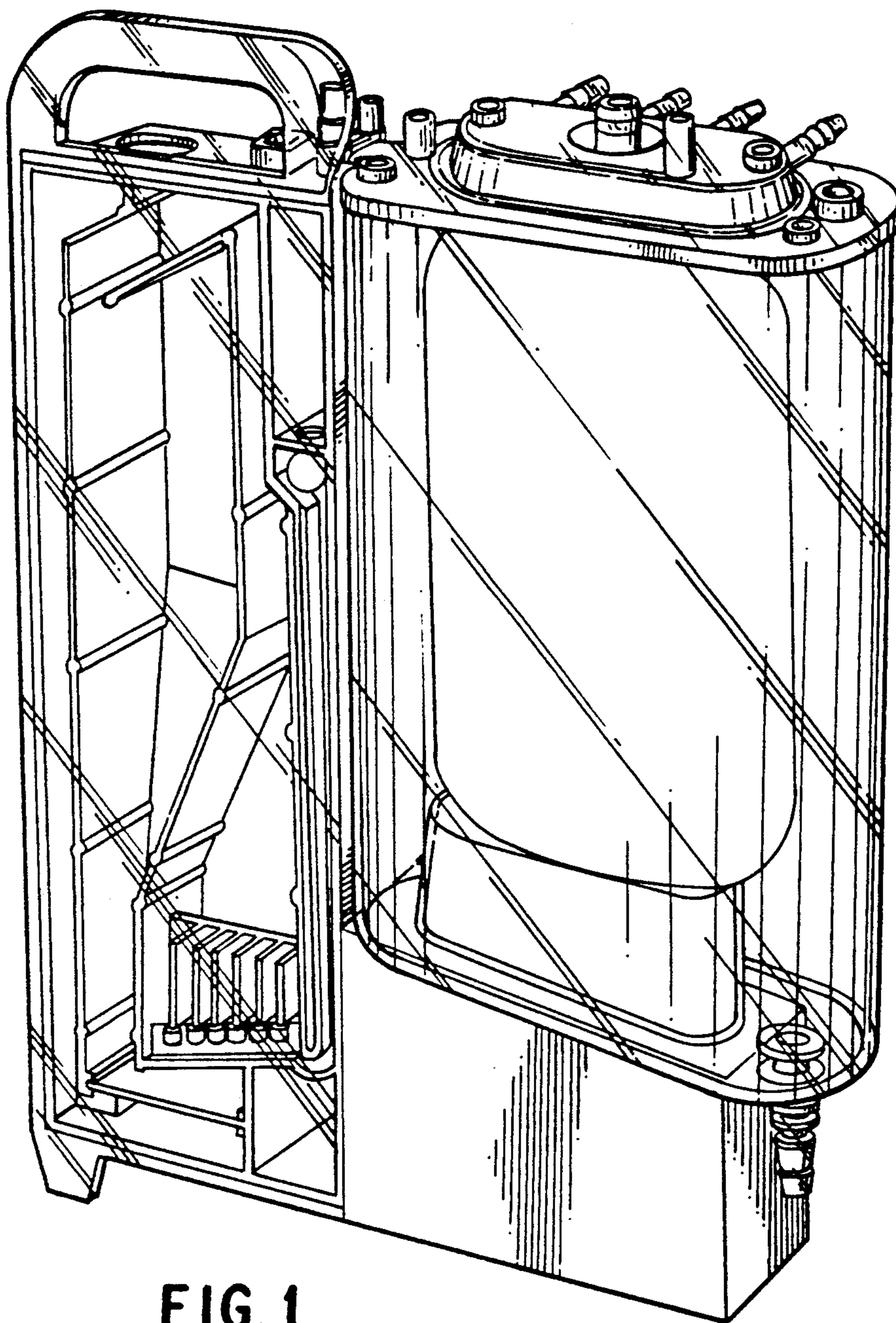


FIG. 1

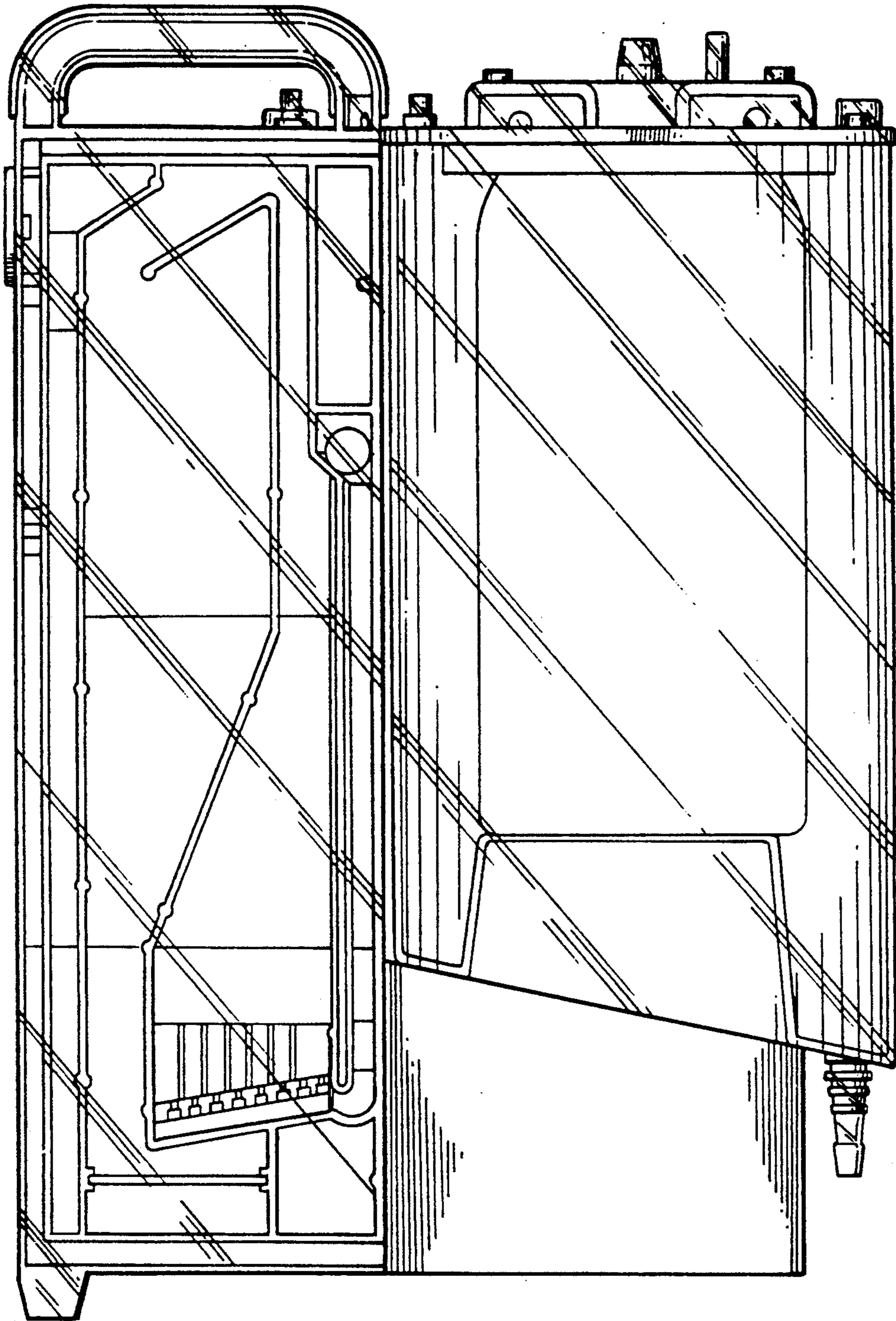


FIG. 2

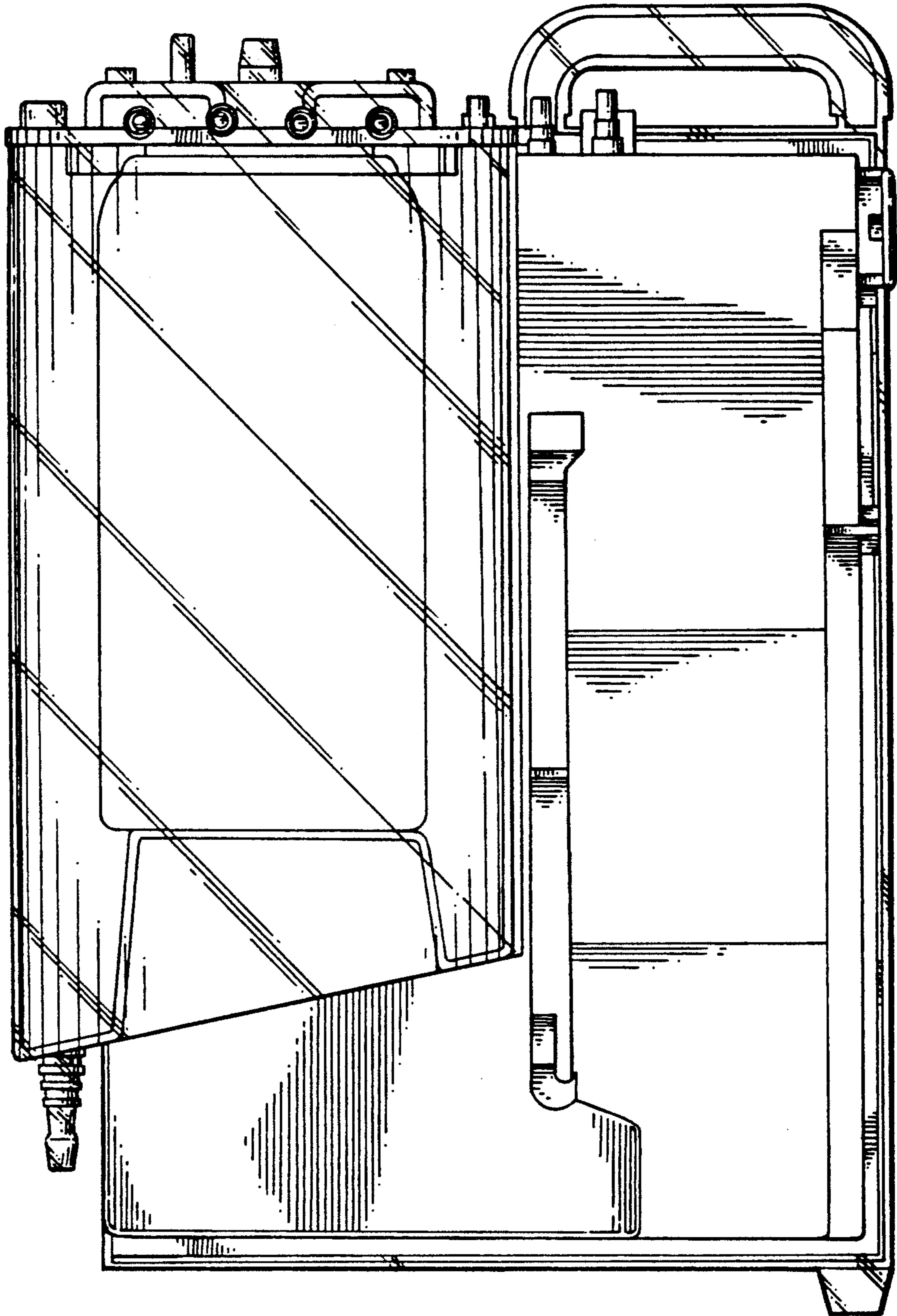


FIG. 3

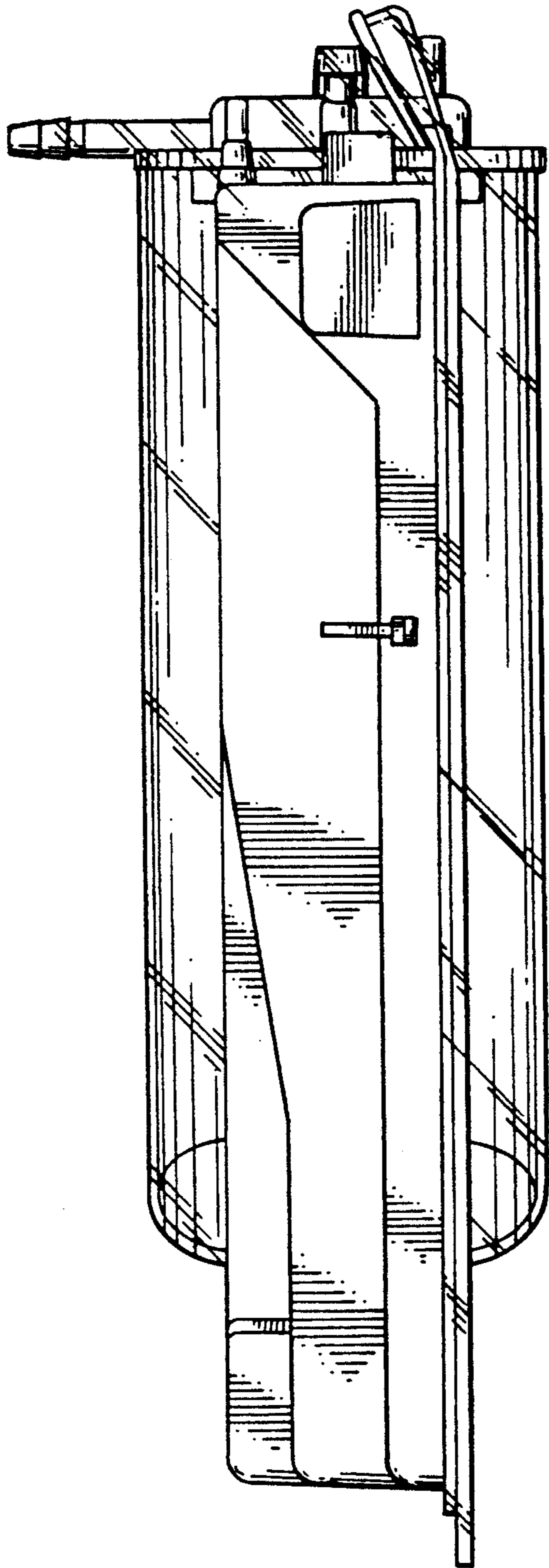


FIG. 4

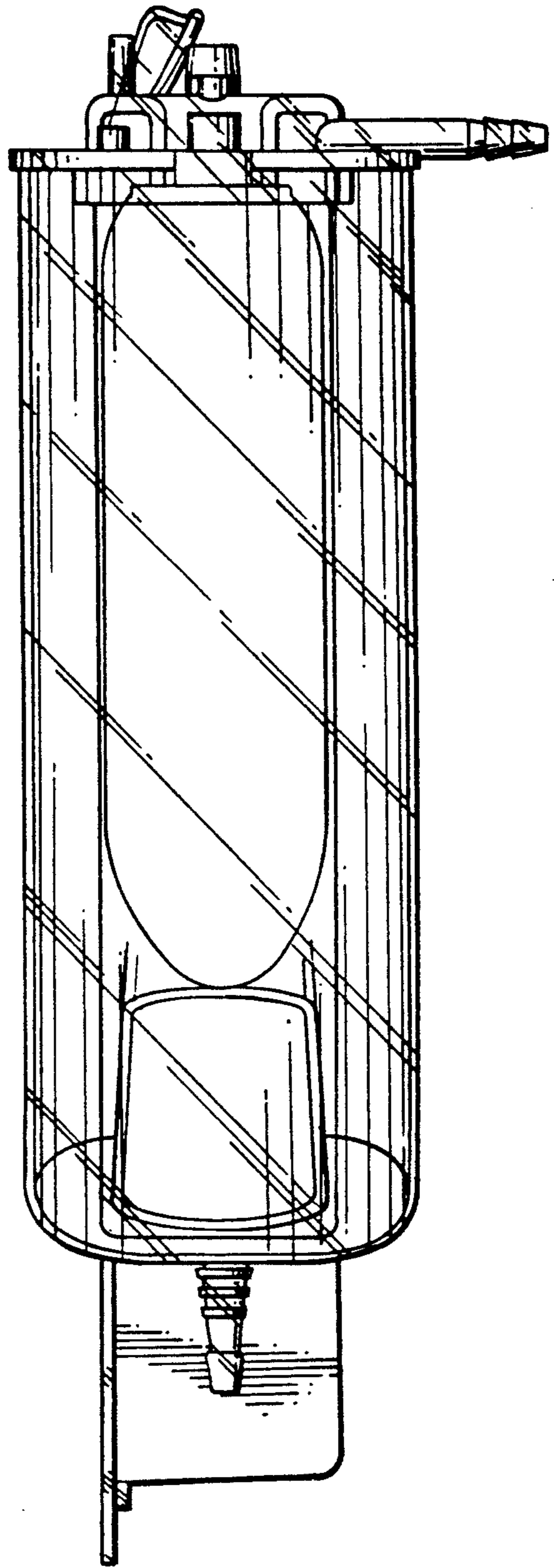


FIG. 5

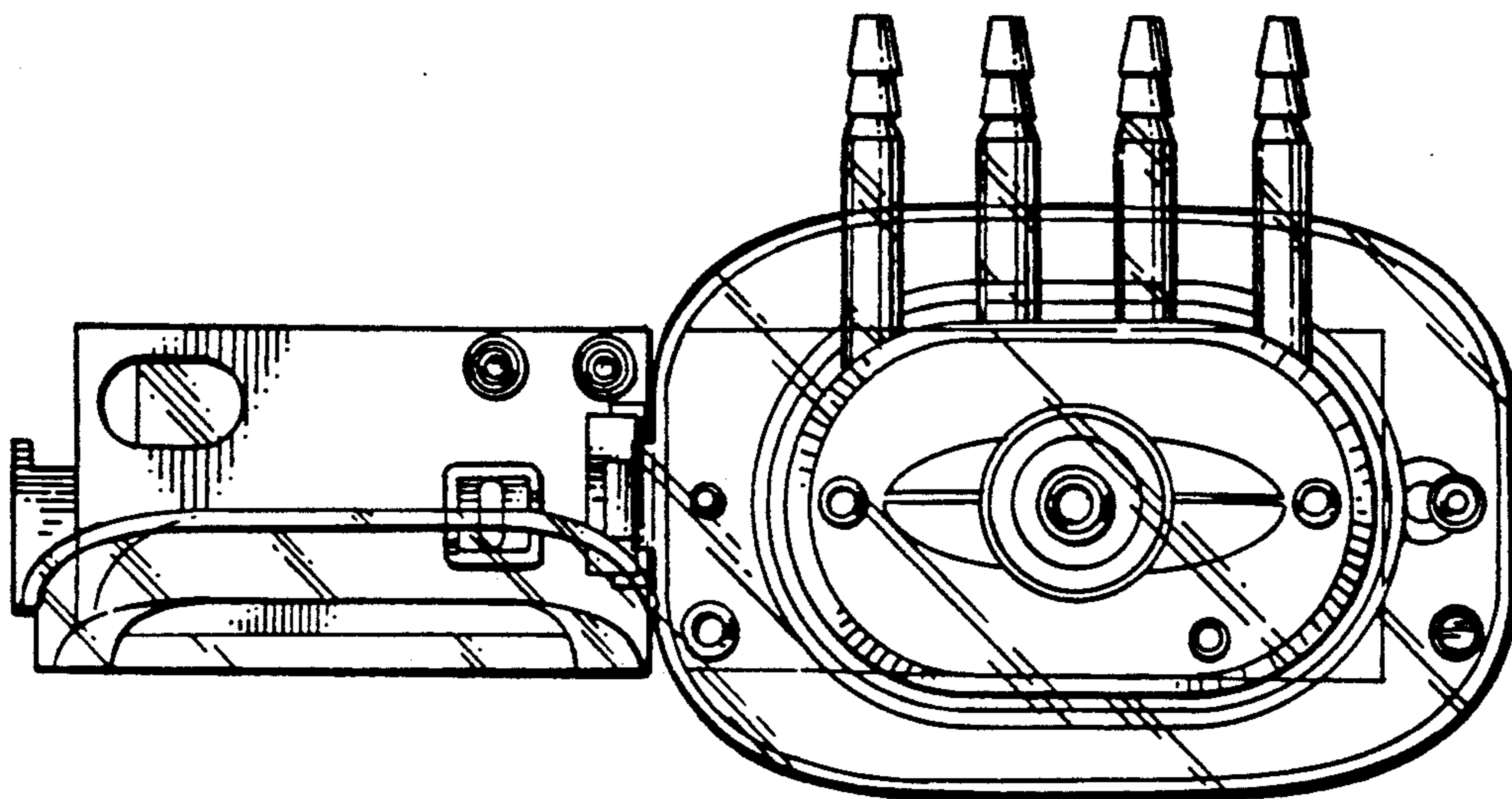


FIG. 6

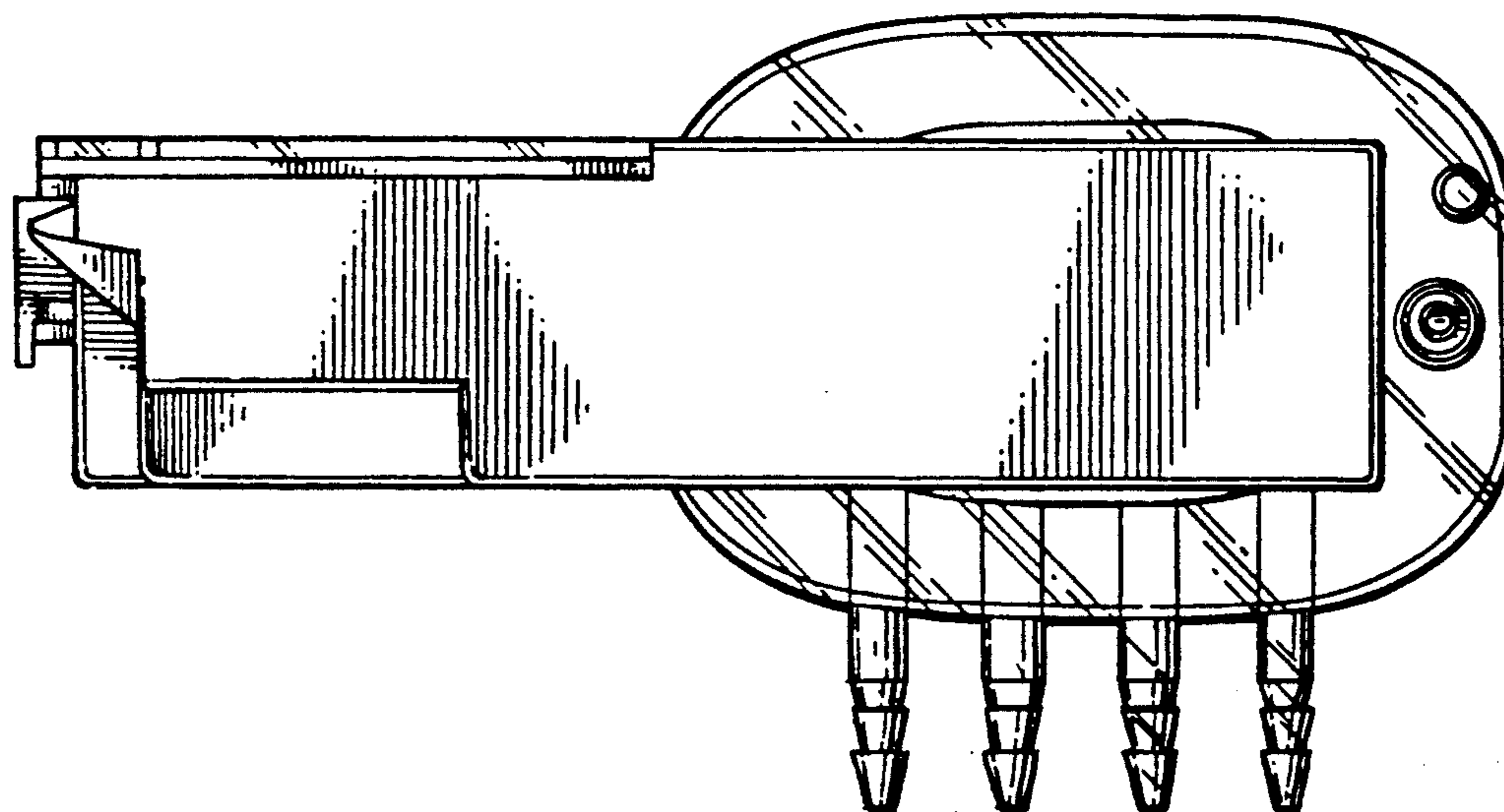


FIG. 7

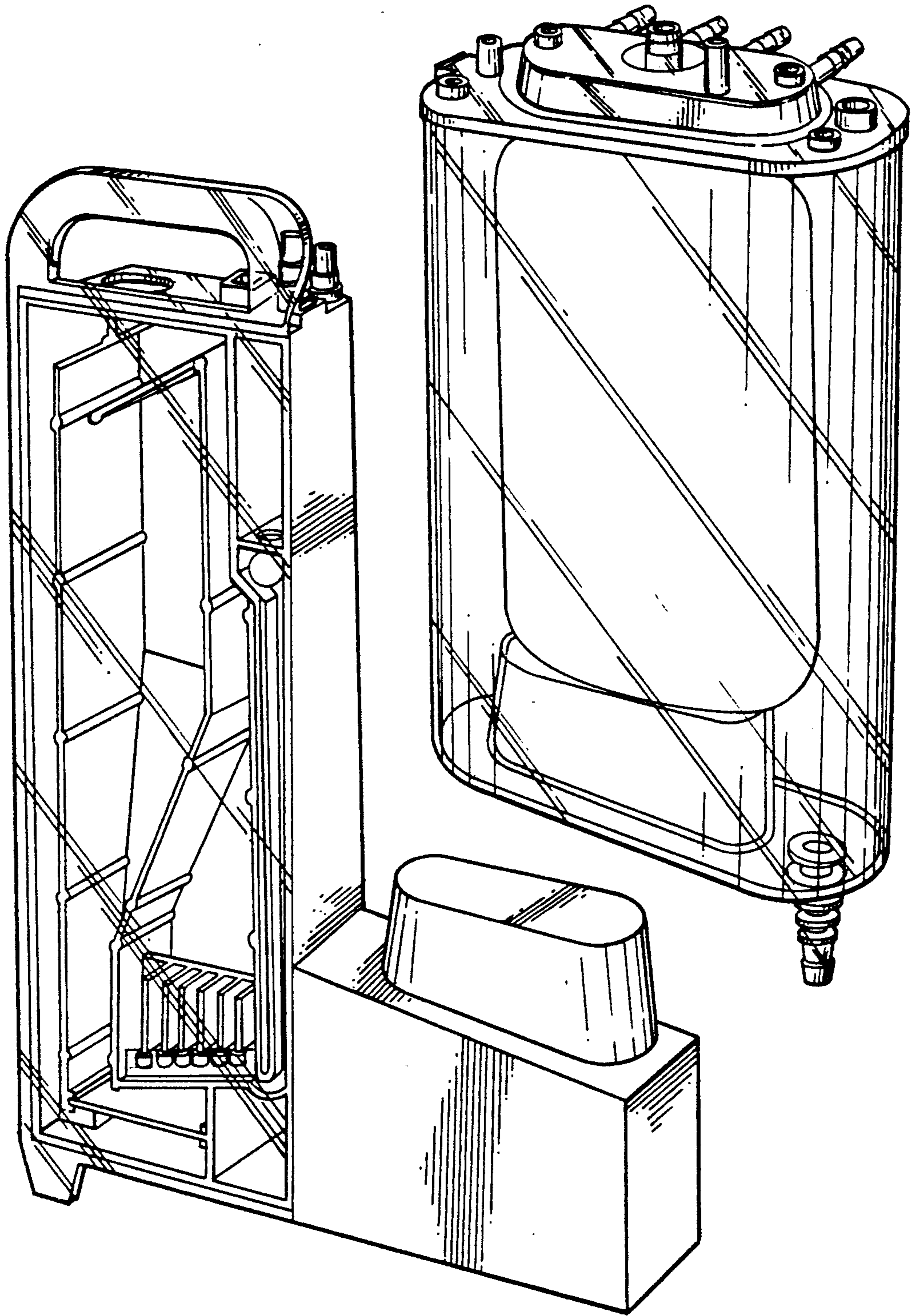


FIG. 8

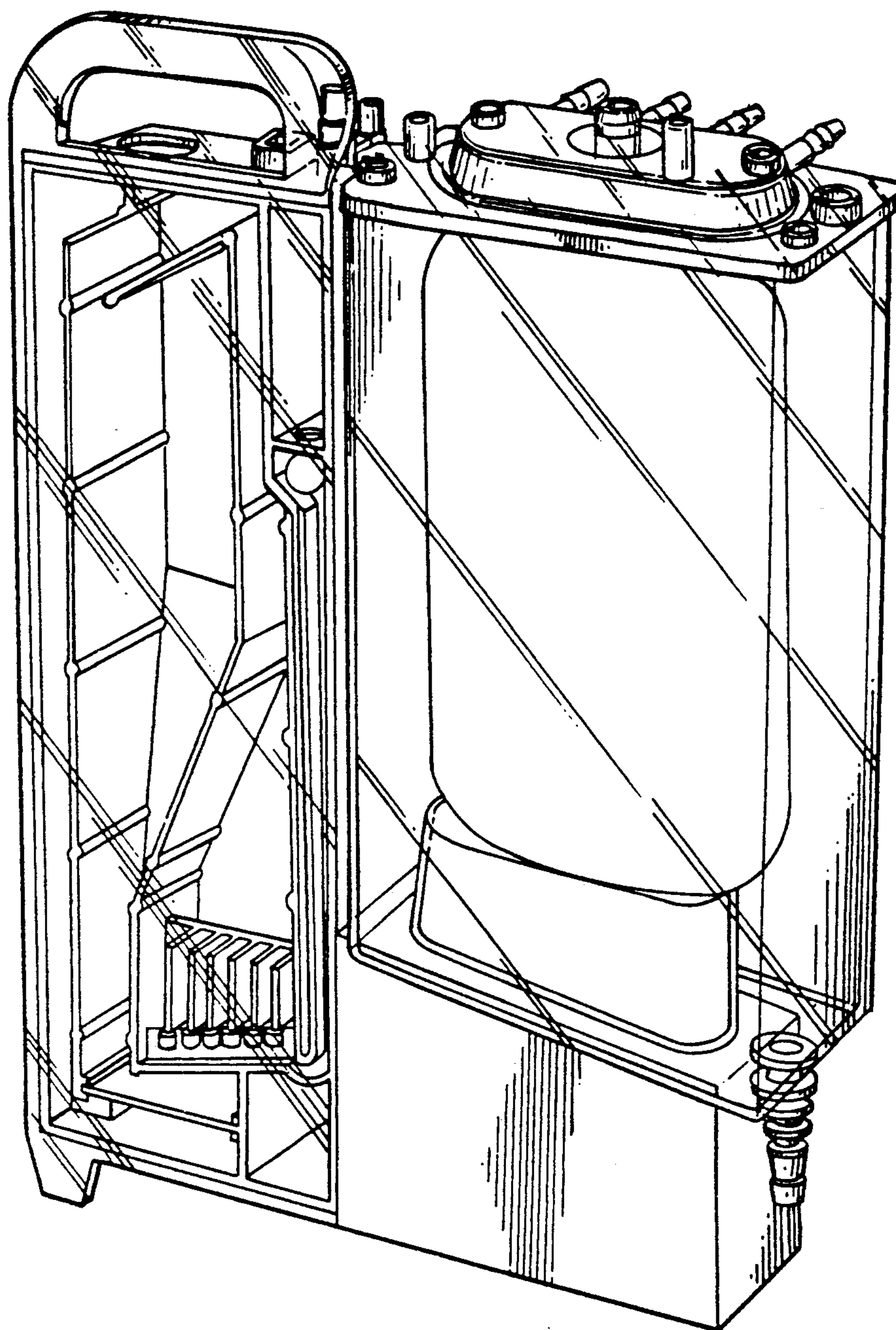


FIG. 9

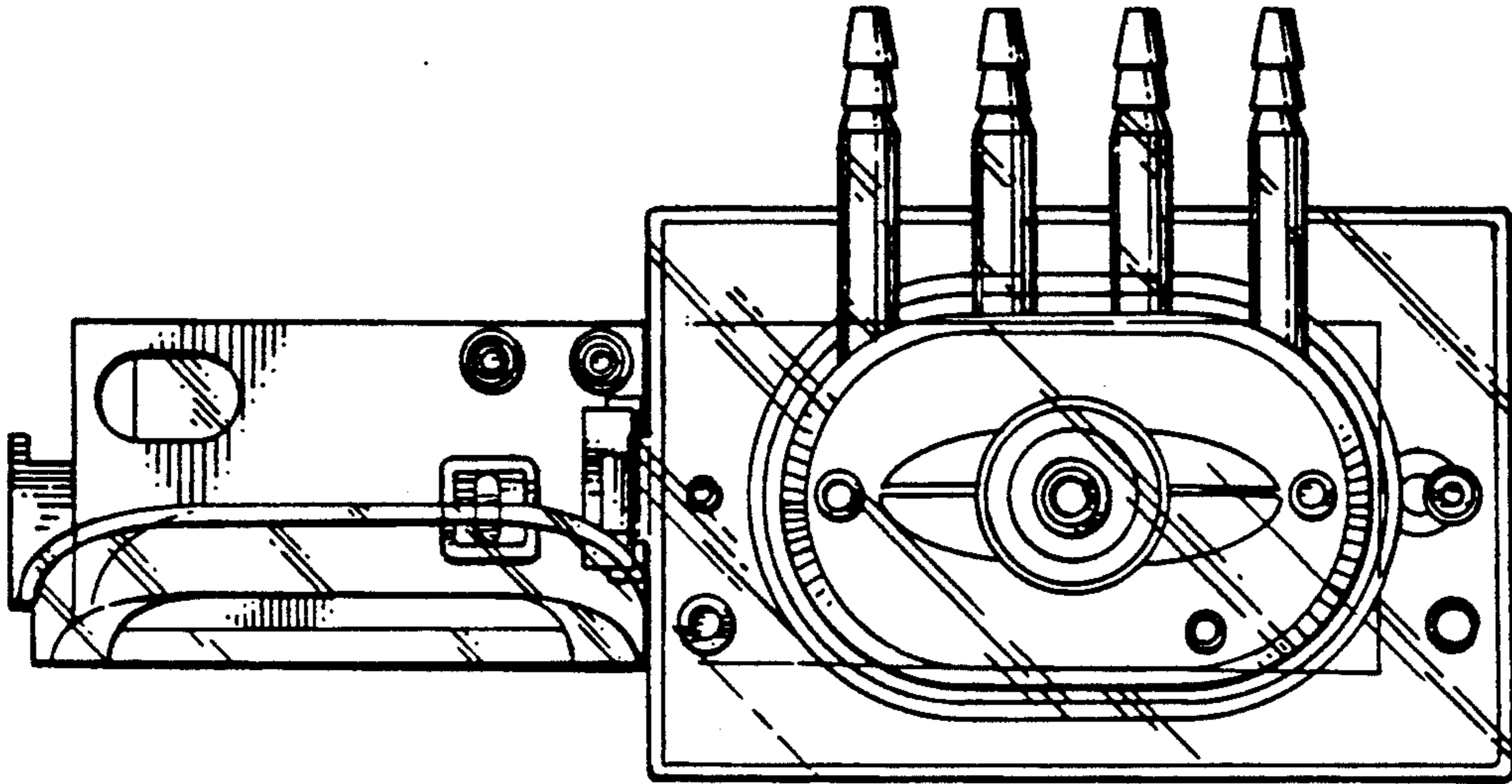


FIG. 10

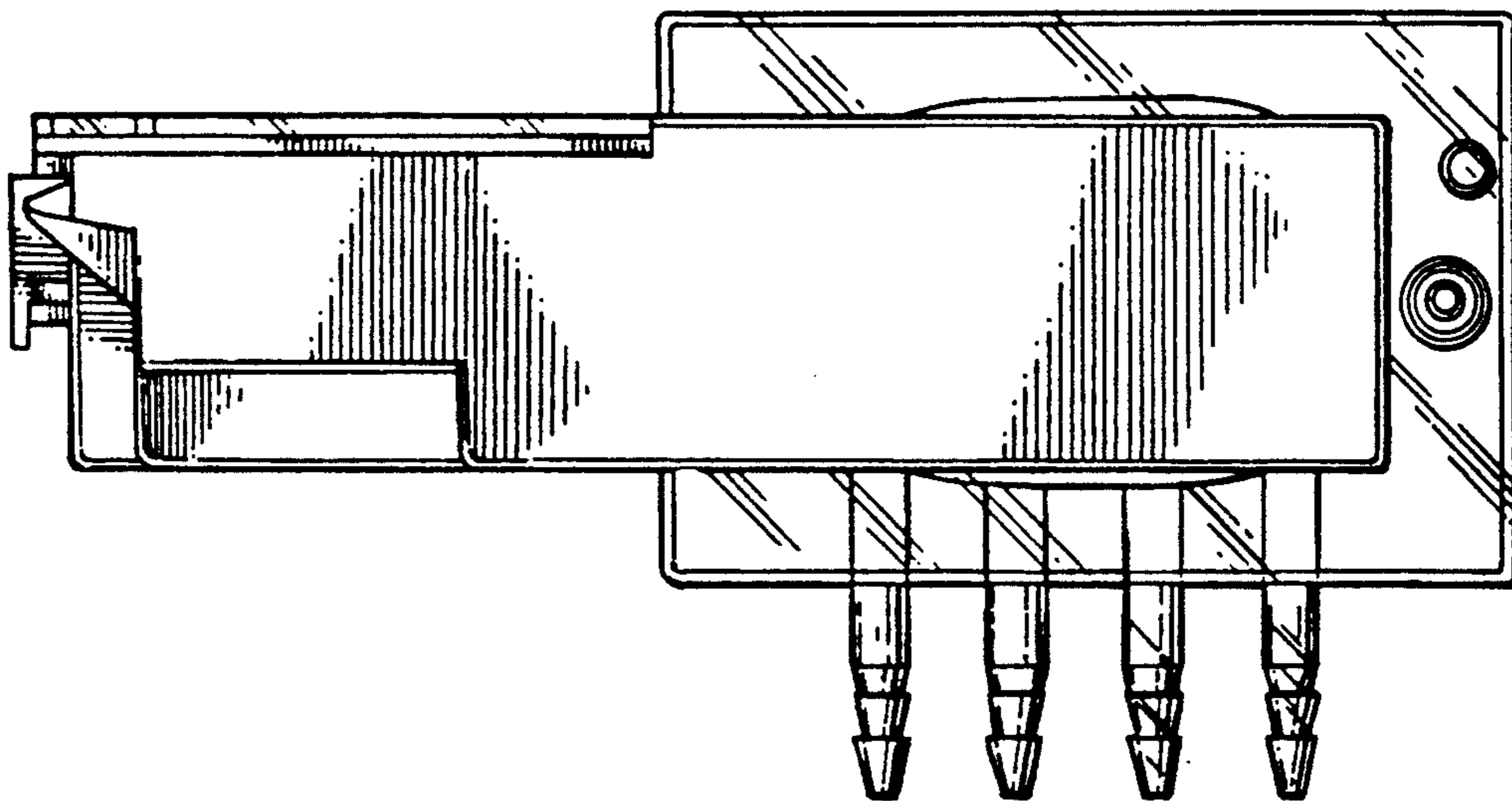


FIG. 11