



US00D334058S

# United States Patent [19]

[11] Patent Number: **Des. 334,058**

**Noble**

[45] Date of Patent: **\*\* Mar. 16, 1993**

[54] **COMBINED DOSAGE SPOON AND CONTAINER**

2,485,303	10/1949	Marcus	.....	D24/116 X
2,953,170	9/1960	Bush	.....	D24/116 X
4,095,716	6/1978	Meany	.....	215/DIG. 5 X
4,717,032	1/1988	Wu	.....	215/DIG. 5 X

[75] Inventor: **Terrance O. Noble**, Rosemount, Minn.

*Primary Examiner*—Stella Reid  
*Assistant Examiner*—Ian Simmons  
*Attorney, Agent, or Firm*—Merchant, Gould, Smith, Edell, Welter & Schmidt

[73] Assignee: **Apothecary Products, Inc.**, Burnsville, Minn.

[\*\*] Term: **14 Years**

[57] **CLAIM**

[21] Appl. No.: **638,414**

The ornamental design for a combined dosage spoon and container, as shown.

[22] Filed: **Jan. 7, 1991**

[52] U.S. Cl. .... **D24/116**

[58] Field of Search ..... **D24/103, 116; D7/643, D7/653, 670, 691; 73/427; 215/DIG. 5; 30/125, 141; 206/216, 218**

**DESCRIPTION**

FIG. 1 is a bottom side perspective view of a combined dosage spoon and container, showing my new design; FIG. 2 is a front elevational view thereof; FIG. 3 is a rear elevational view thereof; FIG. 4 is a top plan view thereof; FIG. 5 is a bottom plan view thereof; FIG. 6 is a left side elevational view thereof; and, FIG. 7 is a right side elevational view thereof.

[56] **References Cited**

**U.S. PATENT DOCUMENTS**

D. 224,260	7/1972	Zeitzer et al.	.....	D24/116
D. 284,894	7/1986	Poore et al.	.....	D24/116
2,149,698	3/1939	Humphrey	.....	D7/643 X

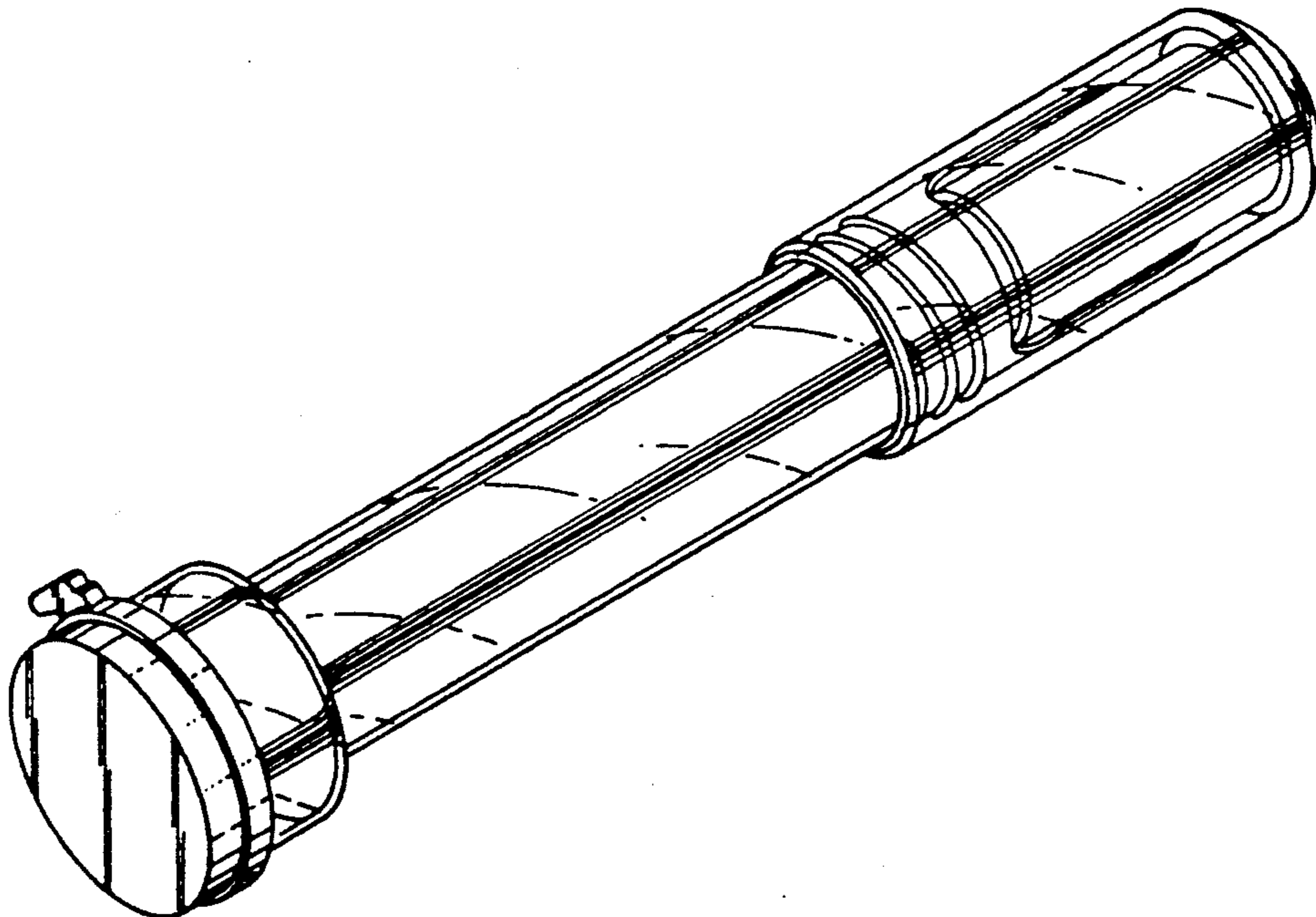


FIG. 1

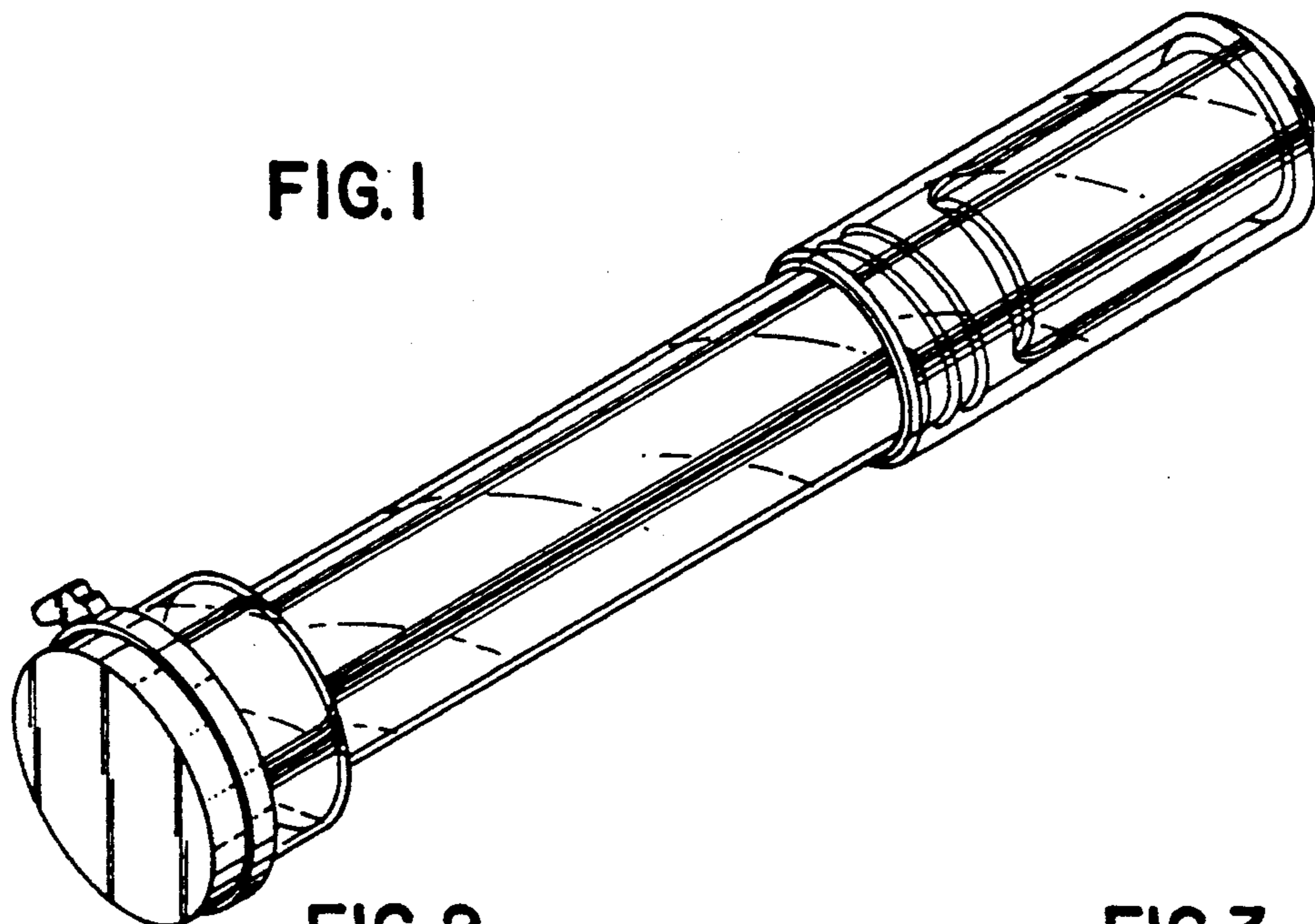


FIG. 2

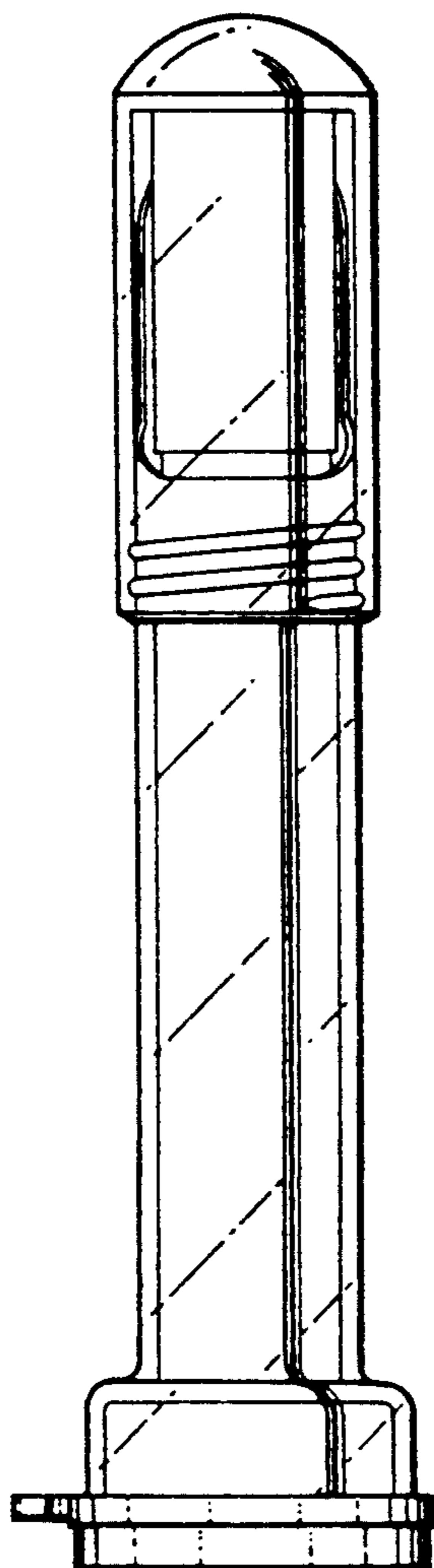


FIG. 3

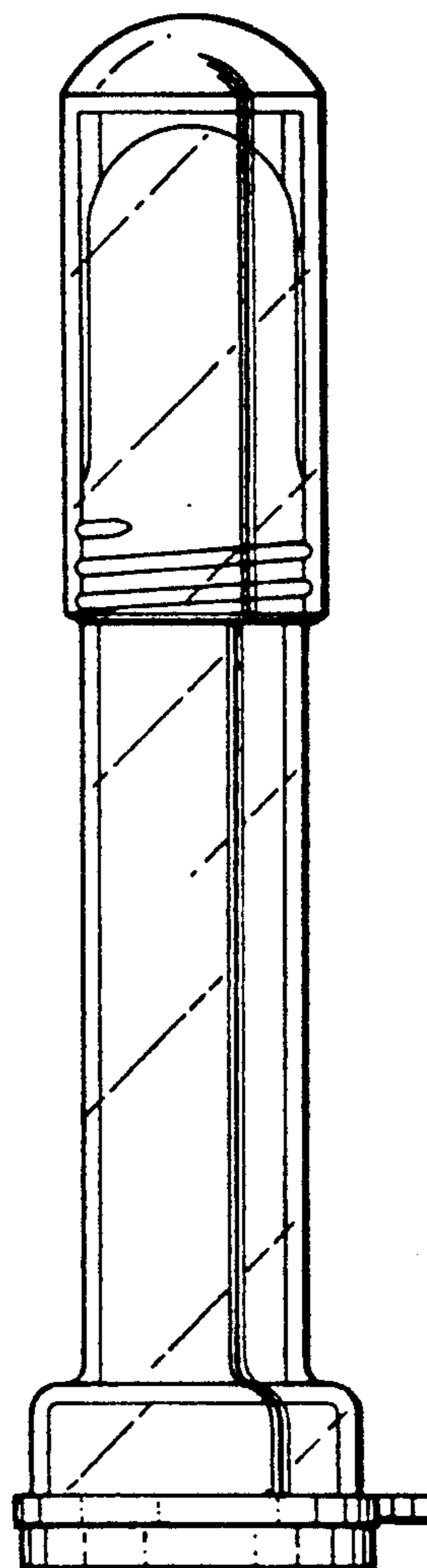


FIG. 4

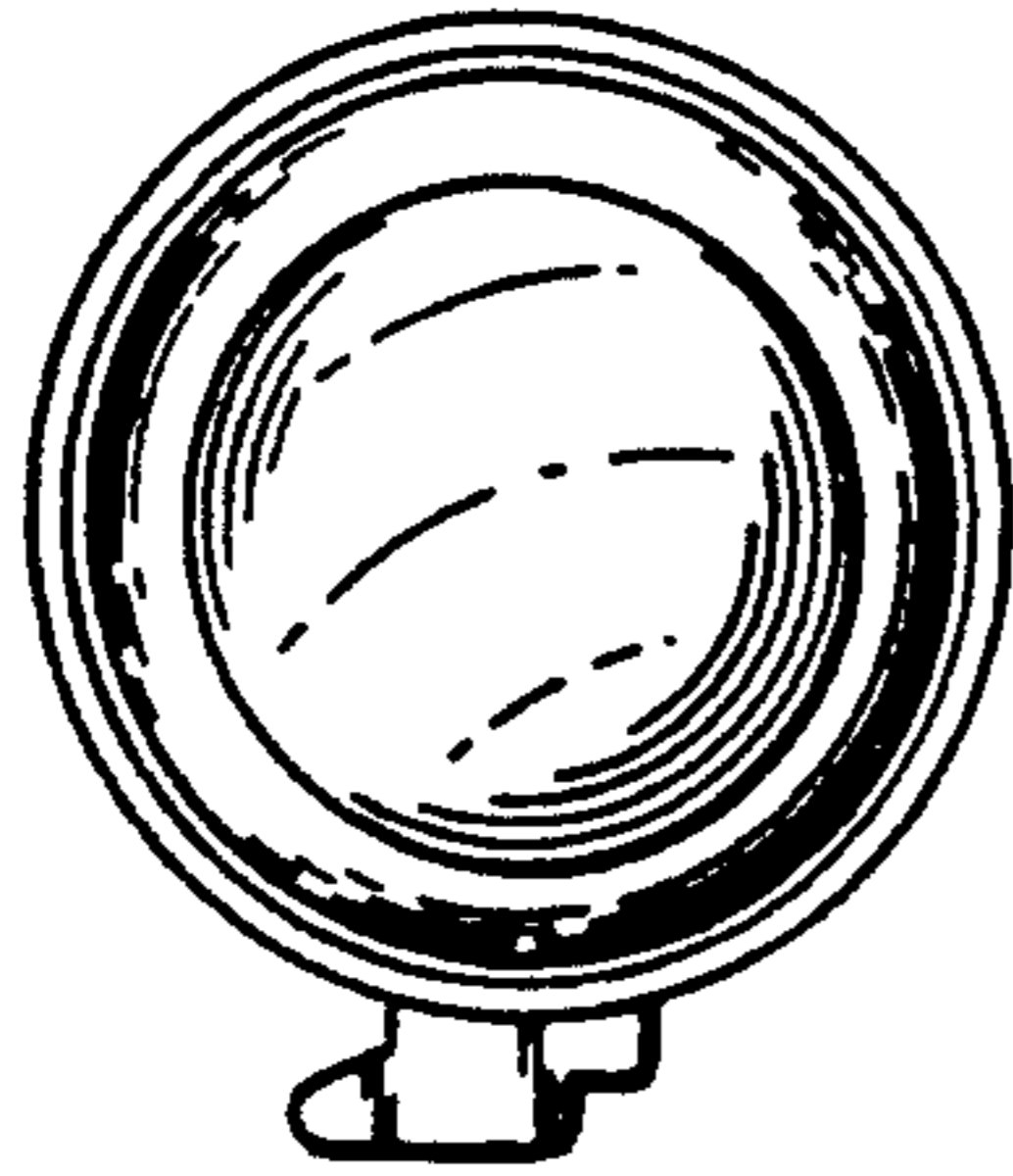


FIG. 5

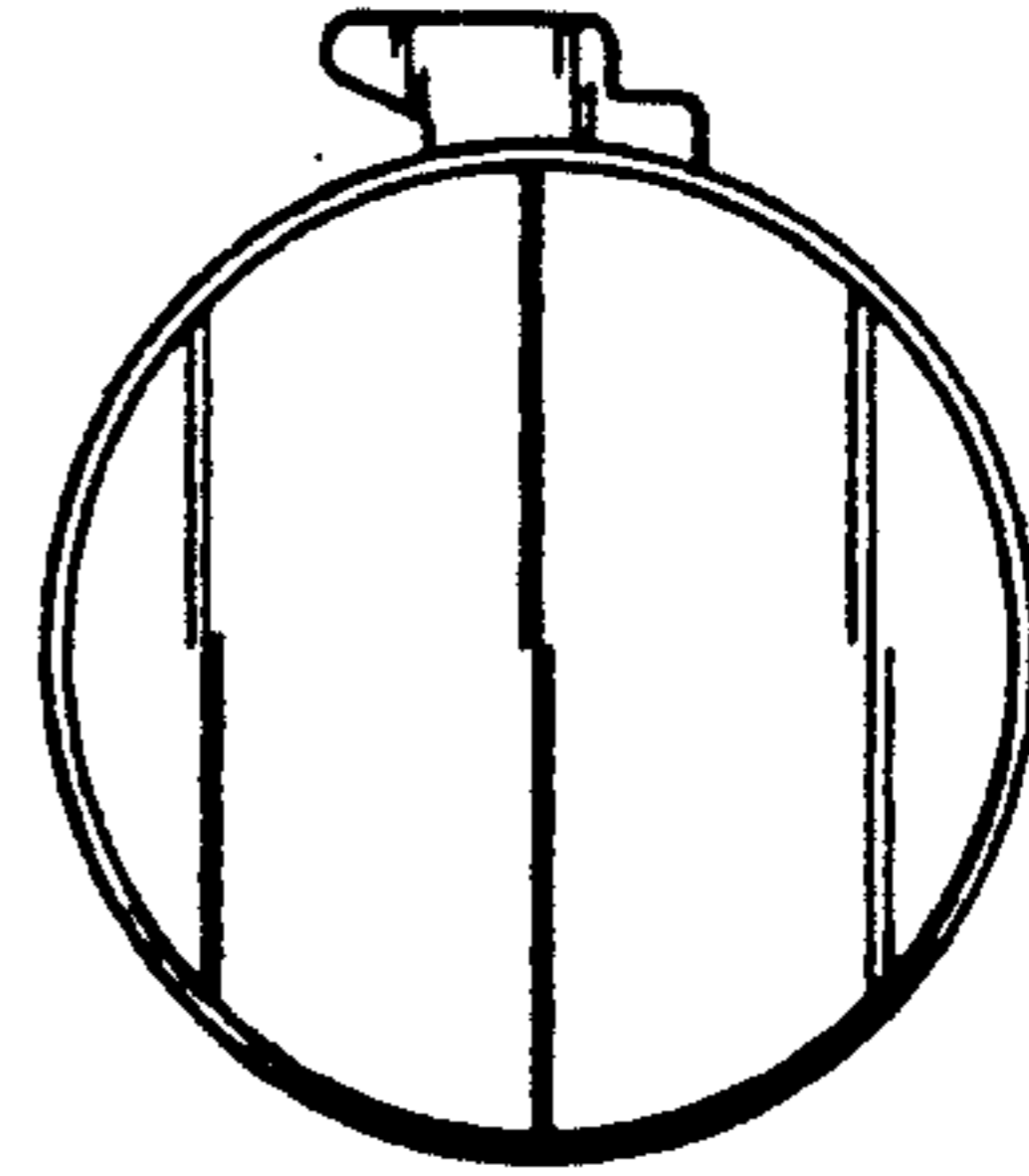


FIG. 6

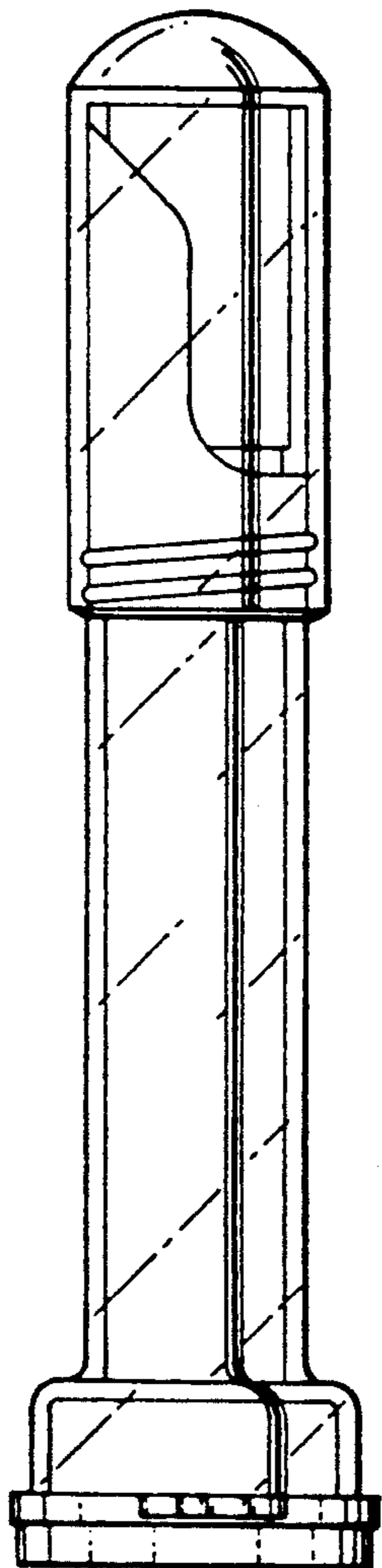


FIG. 7

