



US00D334055S

United States Patent [19]

[11] Patent Number: **Des. 334,055**

Oyama et al.

[45] Date of Patent: **** Mar. 16, 1993**

[54] **COMBINED CEILING FAN AND LIGHT**

5,077,825 12/1991 Monroe 416/5

[75] Inventors: **Shigemichi Oyama, Kyoto; Mutsumi Sawanishi, Osaka, both of Japan**

OTHER PUBLICATIONS

1991 National Human Electronics Ceiling Fan Catalog, published Jun. 1, 1991.

[73] Assignees: **Matsushita Electric Industrial Co., Ltd.; Matsushita Seiko Co., Ltd., both of Osaka, Japan**

Primary Examiner—Wallace R. Burke
Assistant Examiner—Lisa Lichtenstein
Attorney, Agent, or Firm—Sughrue, Mion, Zinn, Macpeak & Seas

[**] Term: **14 Years**

[21] Appl. No.: **835,677**

[57] CLAIM

[22] Filed: **Feb. 14, 1992**

The ornamental design for a combined ceiling fan and light, as shown and described.

[30] Foreign Application Priority Data

Aug. 22, 1991 [JP] Japan 3-25279

DESCRIPTION

[52] U.S. Cl. **D23/377; D23/379; D23/385**

FIG. 1 is a front, bottom and right side perspective view of a combined ceiling fan and light showing our new design, the fan being symmetrical about a vertical axis; FIG. 2 is a top, front and right side perspective view thereof;

[58] Field of Search **D23/377, 379, 385, 370, D23/413, 411, 328; 416/5; 392/364; 362/96, 294**

FIG. 3 is a bottom plan view thereof;

FIG. 4 is a top plan view thereof;

[56] References Cited

U.S. PATENT DOCUMENTS

- D. 290,873 7/1987 Chen D23/377
- D. 295,555 5/1988 Greenberg D23/377
- D. 310,561 9/1990 Janicz D23/377

FIG. 5 is a right side elevational view thereof, the opposite side being a mirror image thereof; and,

FIG. 6 is a front elevational view thereof, the rear being a mirror image thereof.

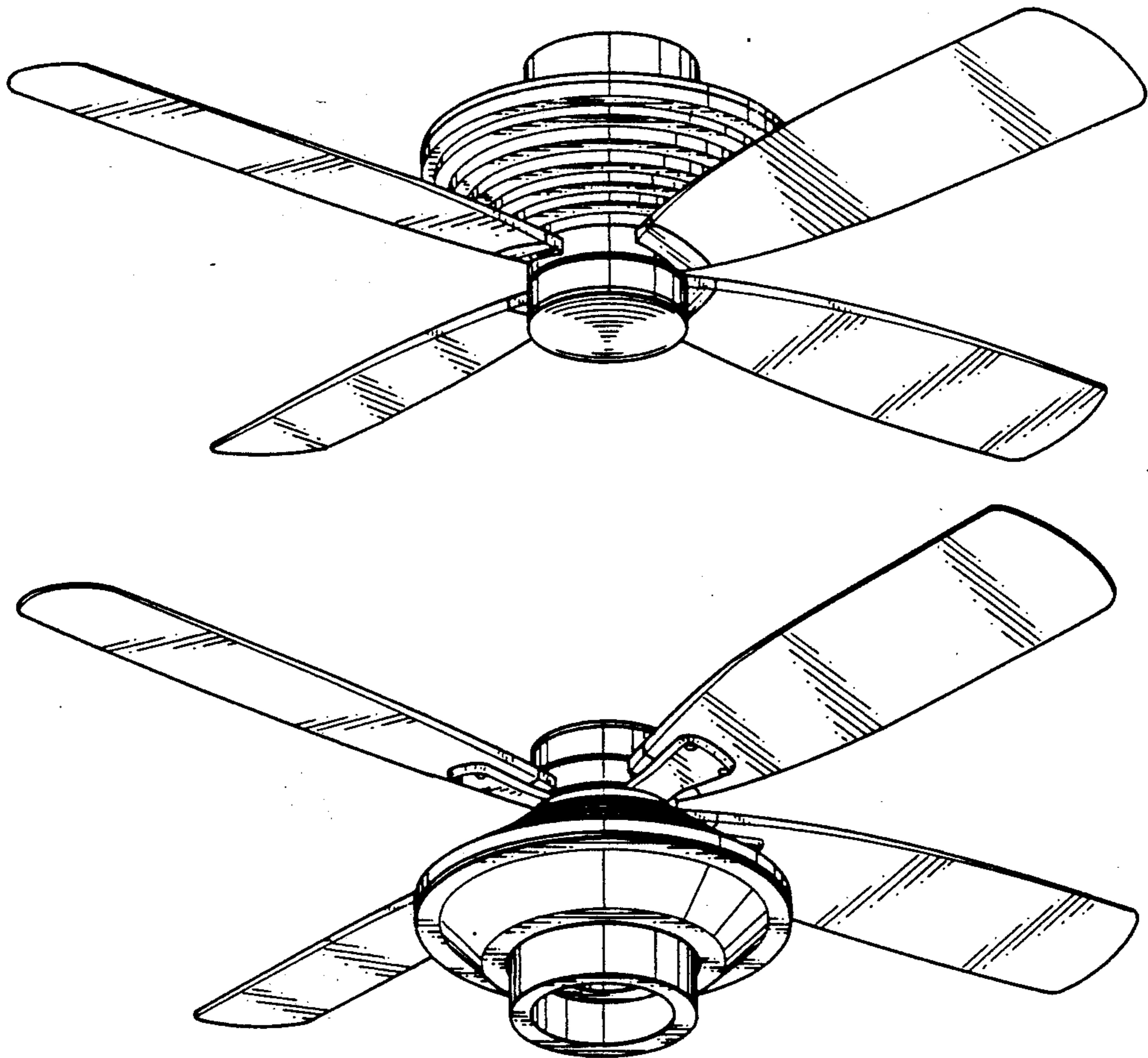


Fig. 1

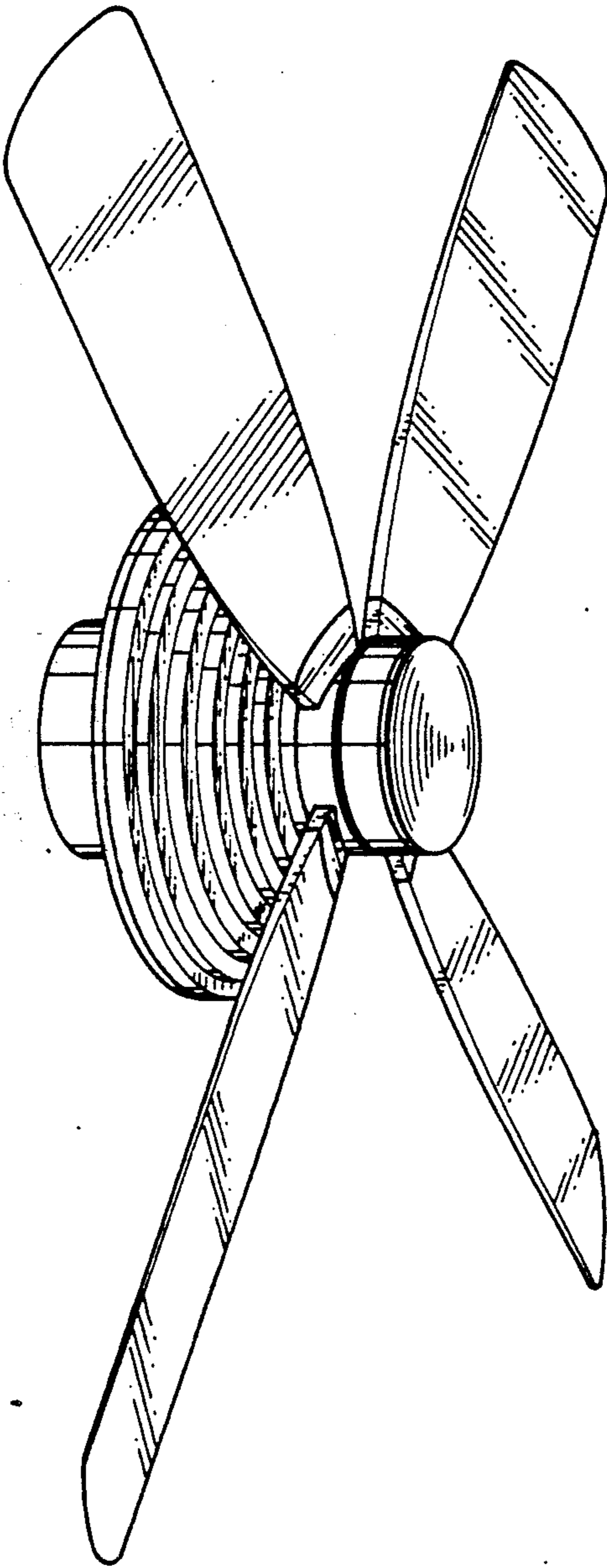


Fig. 2

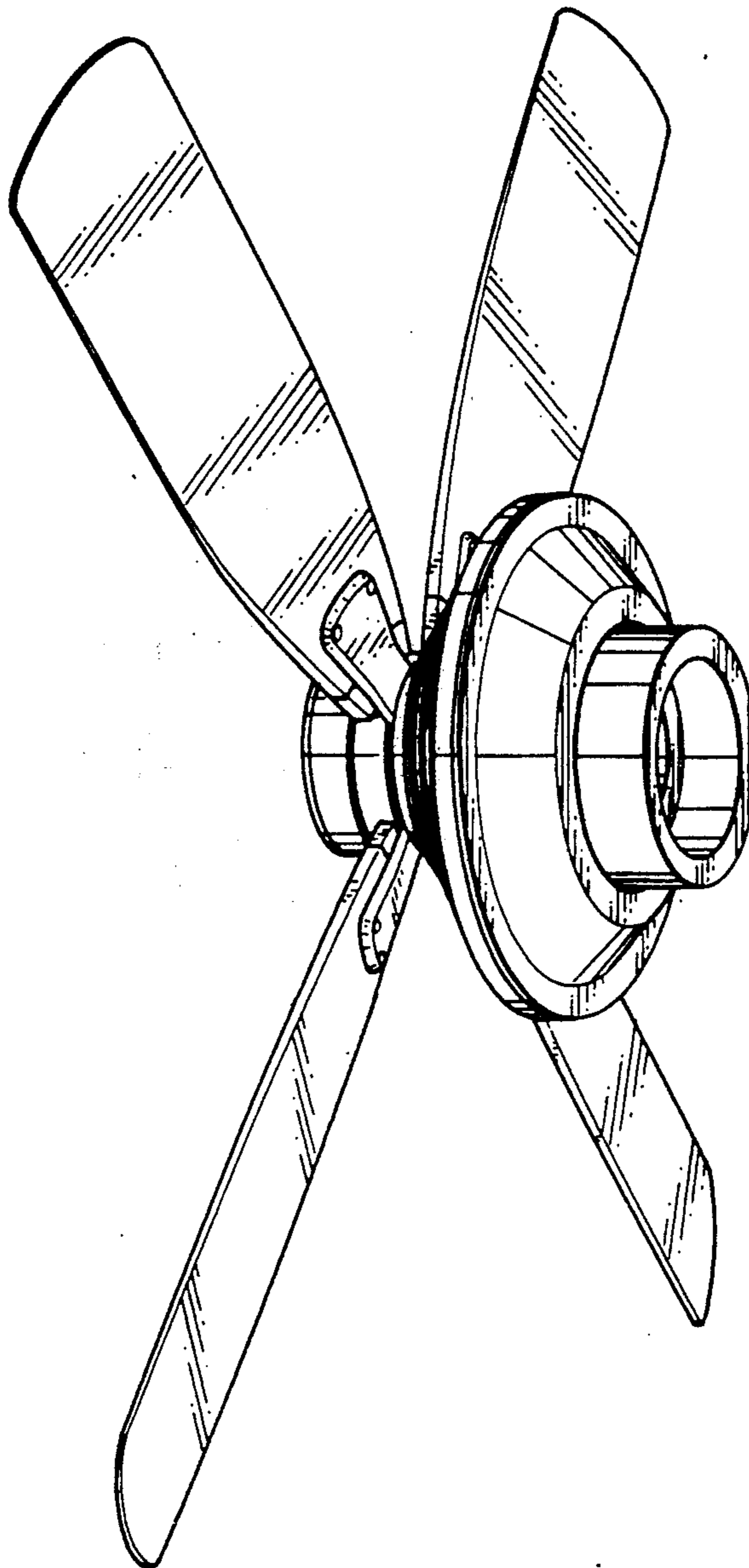


Fig. 3

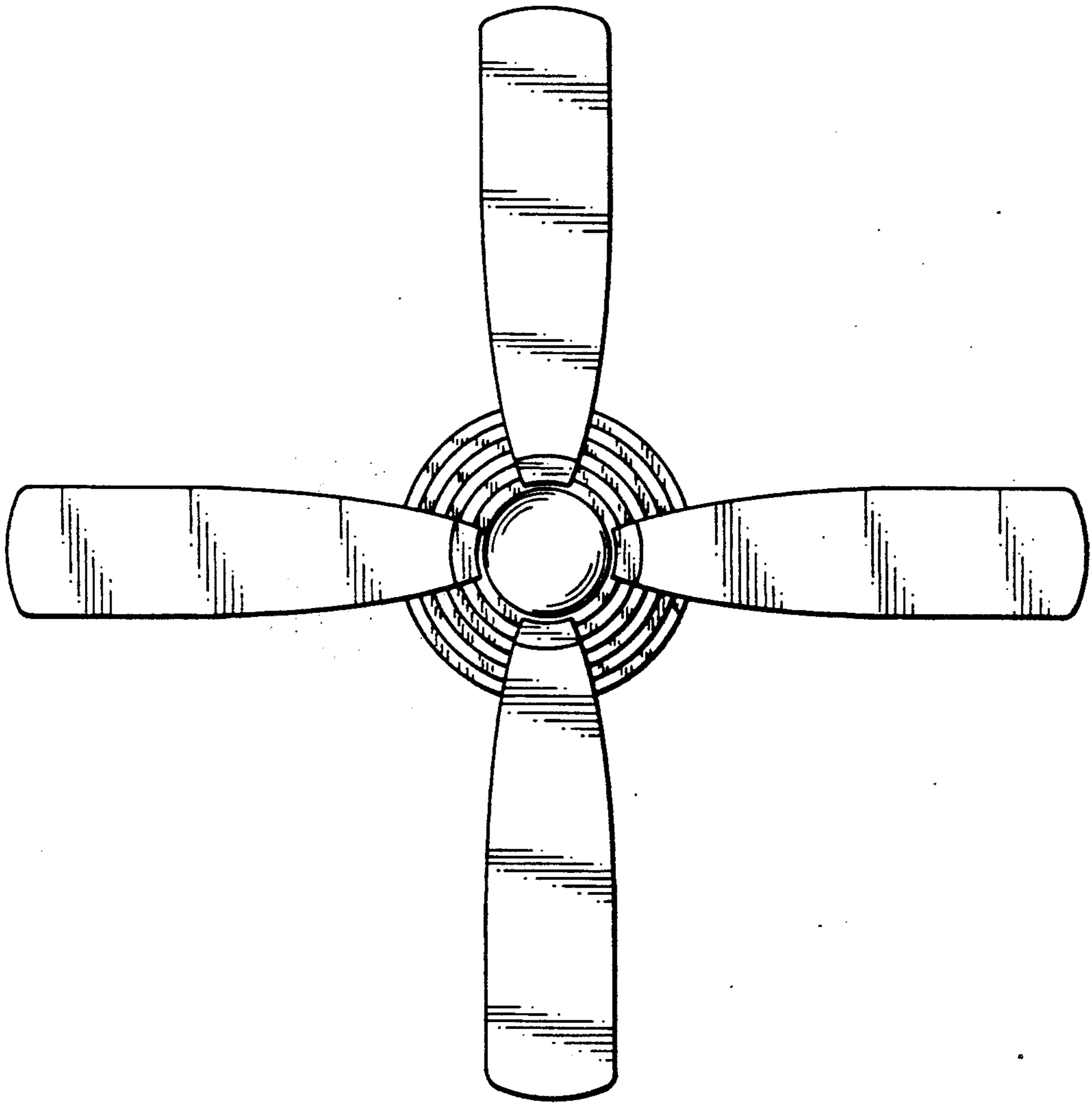


Fig. 4

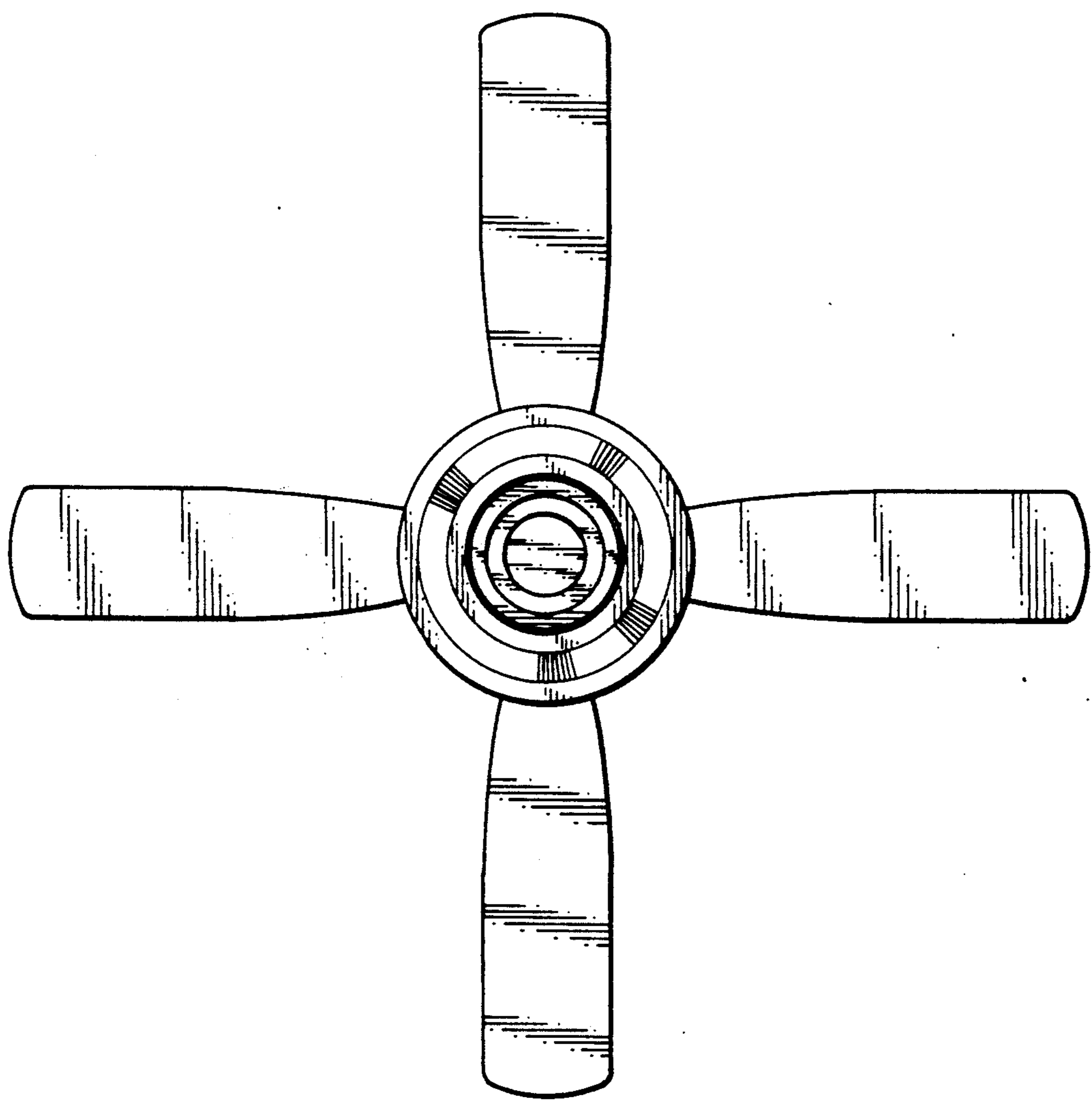


Fig. 5

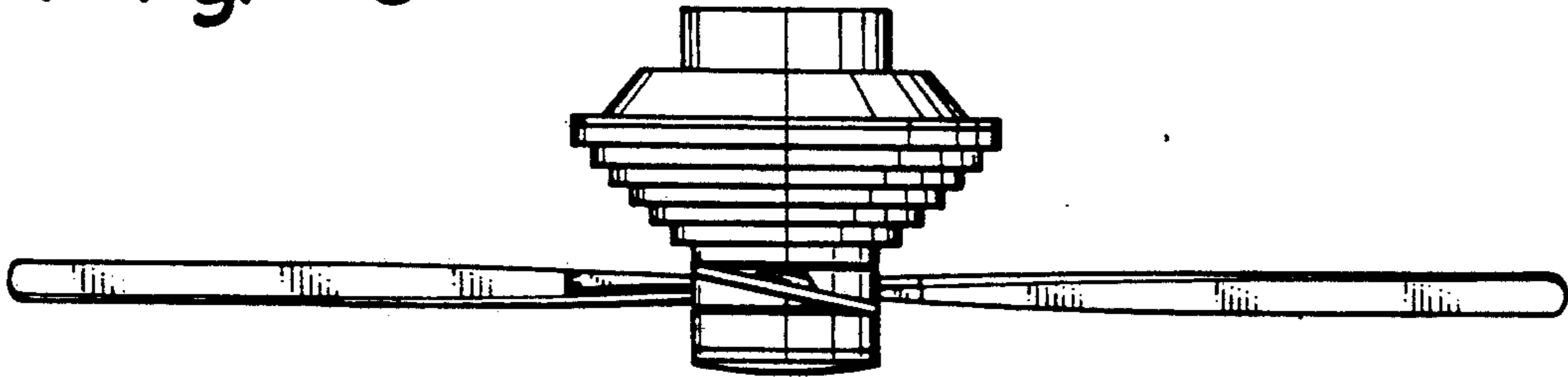


Fig. 6

