



US00D334052S

United States Patent [19]

[11] Patent Number: Des. 334,052

Haran

[45] Date of Patent: ** Mar. 16, 1993

[54] **BATHTUB INSERT SEAT FOR A CHILD**

2,645,781	7/1953	Mover	4/572
2,728,920	1/1956	Hulton et al.	4/585
2,876,459	3/1959	Ackerson	4/572
5,077,842	1/1992	Horne, Jr.	4/568

[76] Inventor: **Jerry Haran**, P.O. Box 925,
Midlothian, Ill. 60445

[**] Term: **14 Years**

Primary Examiner—James R. Largen
Attorney, Agent, or Firm—Terry M. Gernstein

[21] Appl. No.: **563,334**

[57] **CLAIM**

[22] Filed: **Aug. 7, 1990**

The ornamental design for a bathtub insert seat for a child, as shown and described.

[52] U.S. Cl. **D23/304**

[58] Field of Search **D23/277-283,**
D23/303-309; 4/571, 572, 573, 576, 577, 611

DESCRIPTION

[56] **References Cited**

FIG. 1 is a perspective view taken from the top, rear and left end of a bathtub insert seat for a child showing my new design;

U.S. PATENT DOCUMENTS

D. 178,077	6/1956	Moore	D23/278
D. 180,264	5/1957	Black	D23/278 X
D. 223,263	4/1972	Goldstein	D23/278 X
2,229,411	1/1941	Hughes	4/572 X
2,503,938	4/1950	Davis, Jr.	4/572
2,504,287	4/1950	Ward	4/572
2,528,825	11/1950	Graves	4/572 X

FIG. 2 is a front elevational view thereof;

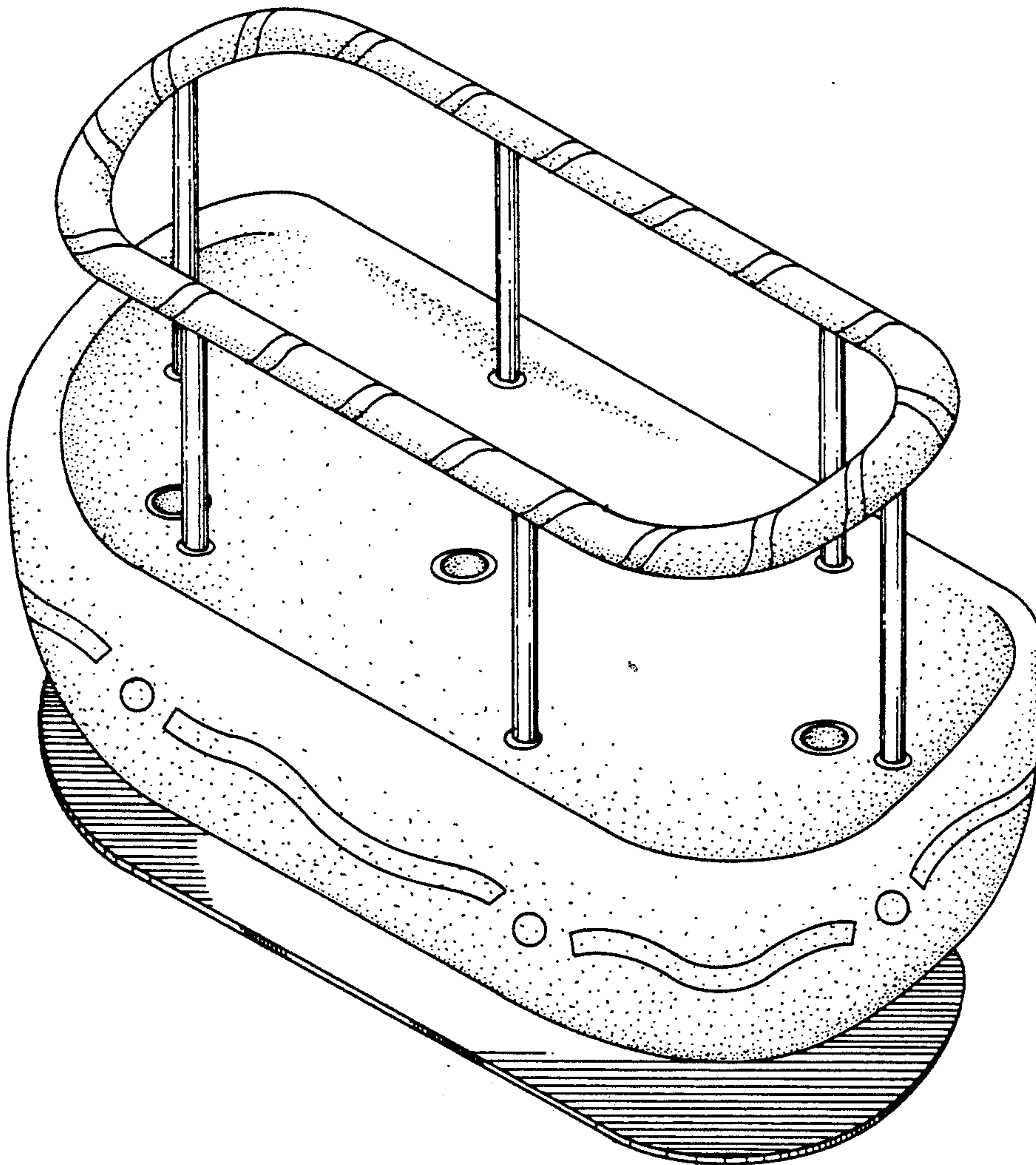
FIG. 3 is a rear elevational view thereof;

FIG. 4 is a right end elevational view thereof;

FIG. 5 is a left end elevational view thereof; and,

FIG. 6 is a top plan view thereof.

It is to be understood that the bottom of the insert is plain and unornamented.



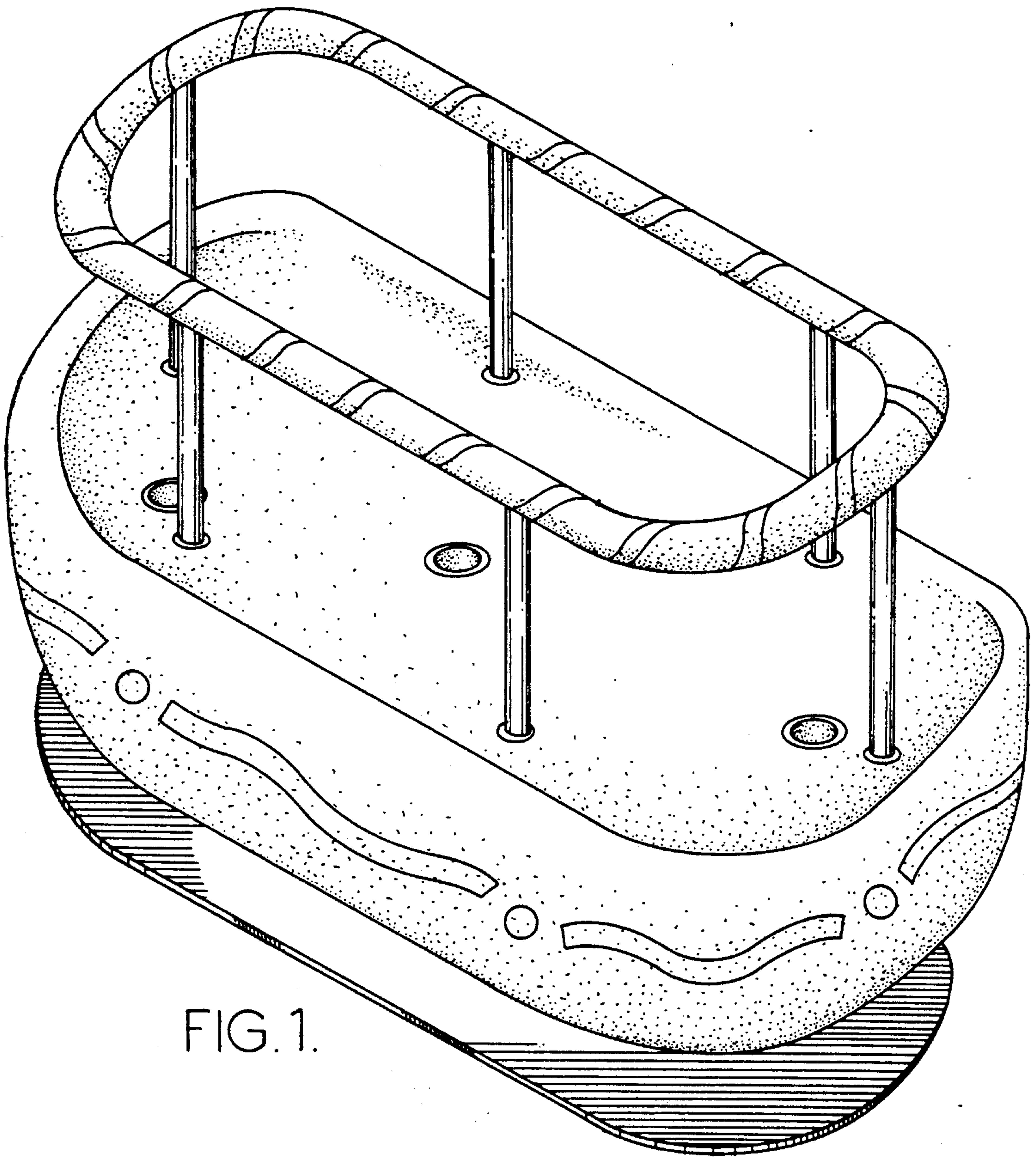


FIG. 1.

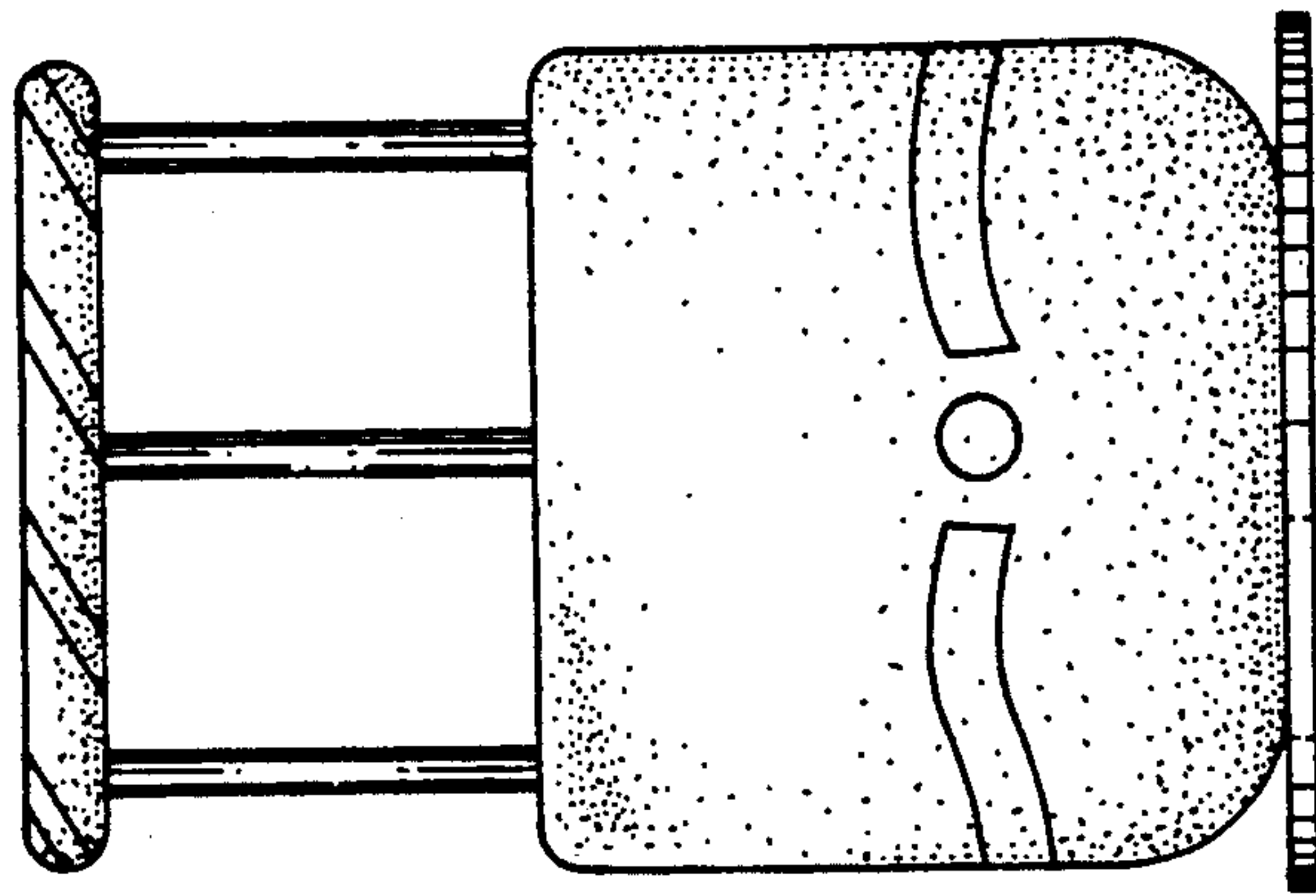


FIG. 4.

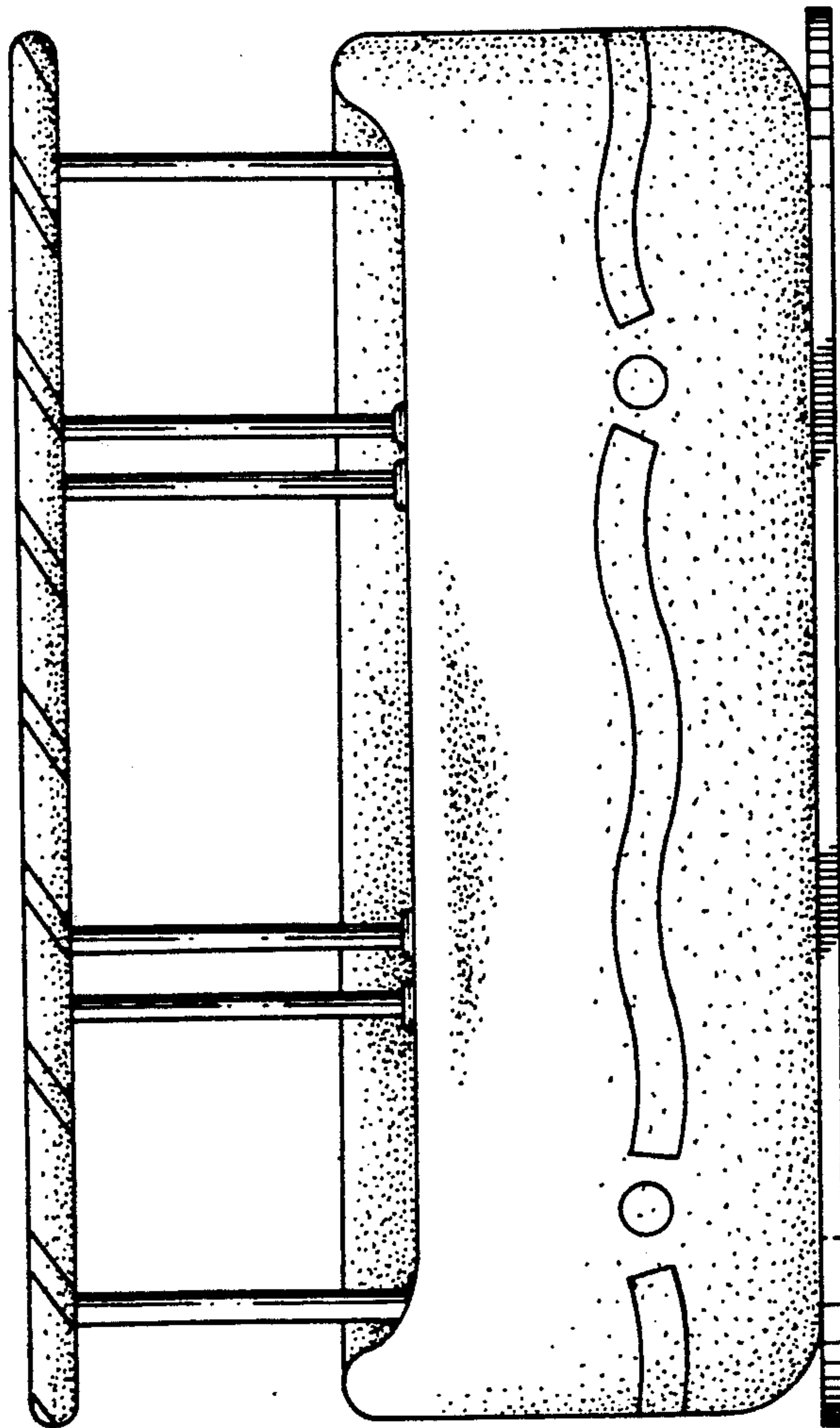


FIG. 2

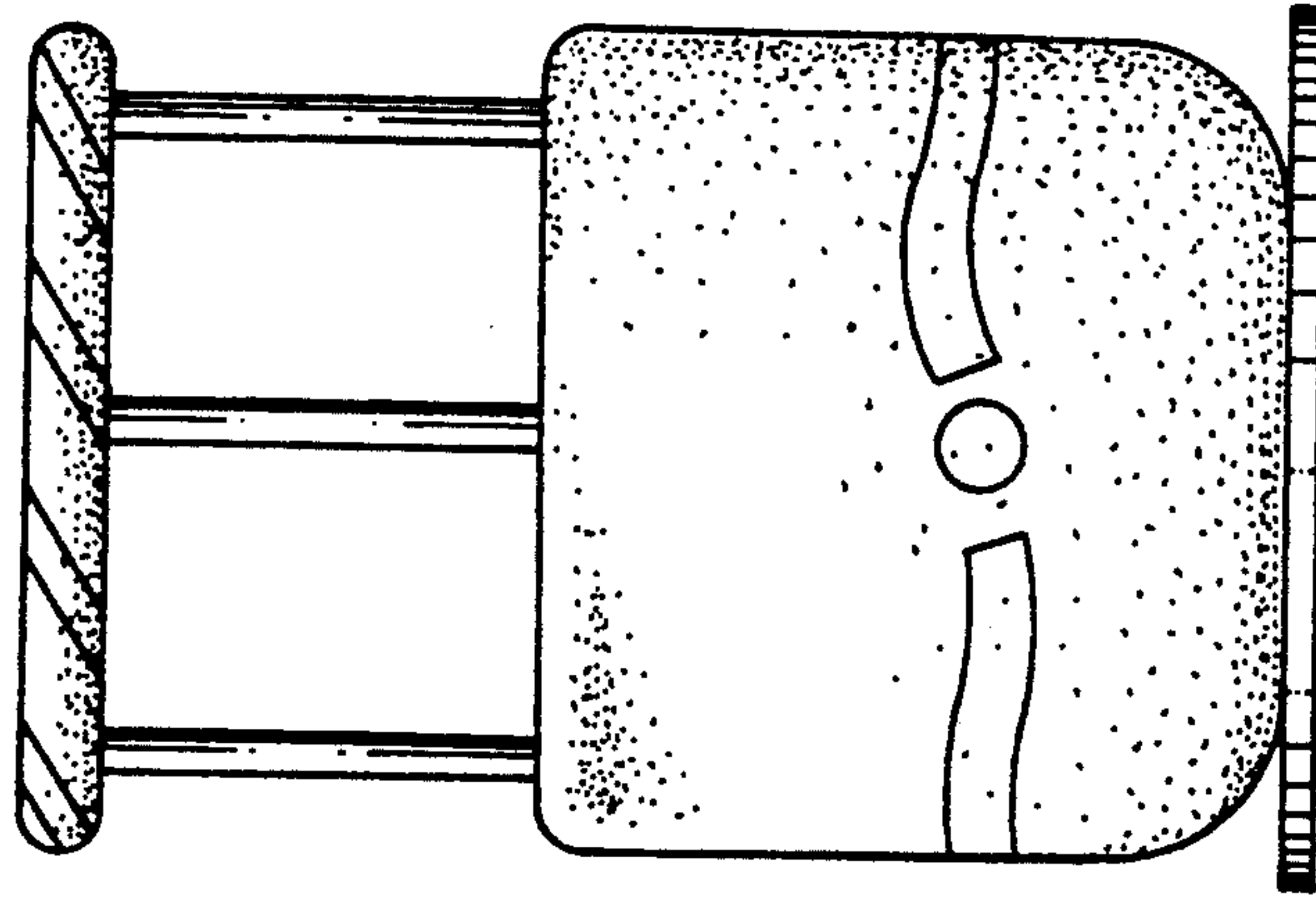


FIG. 5.

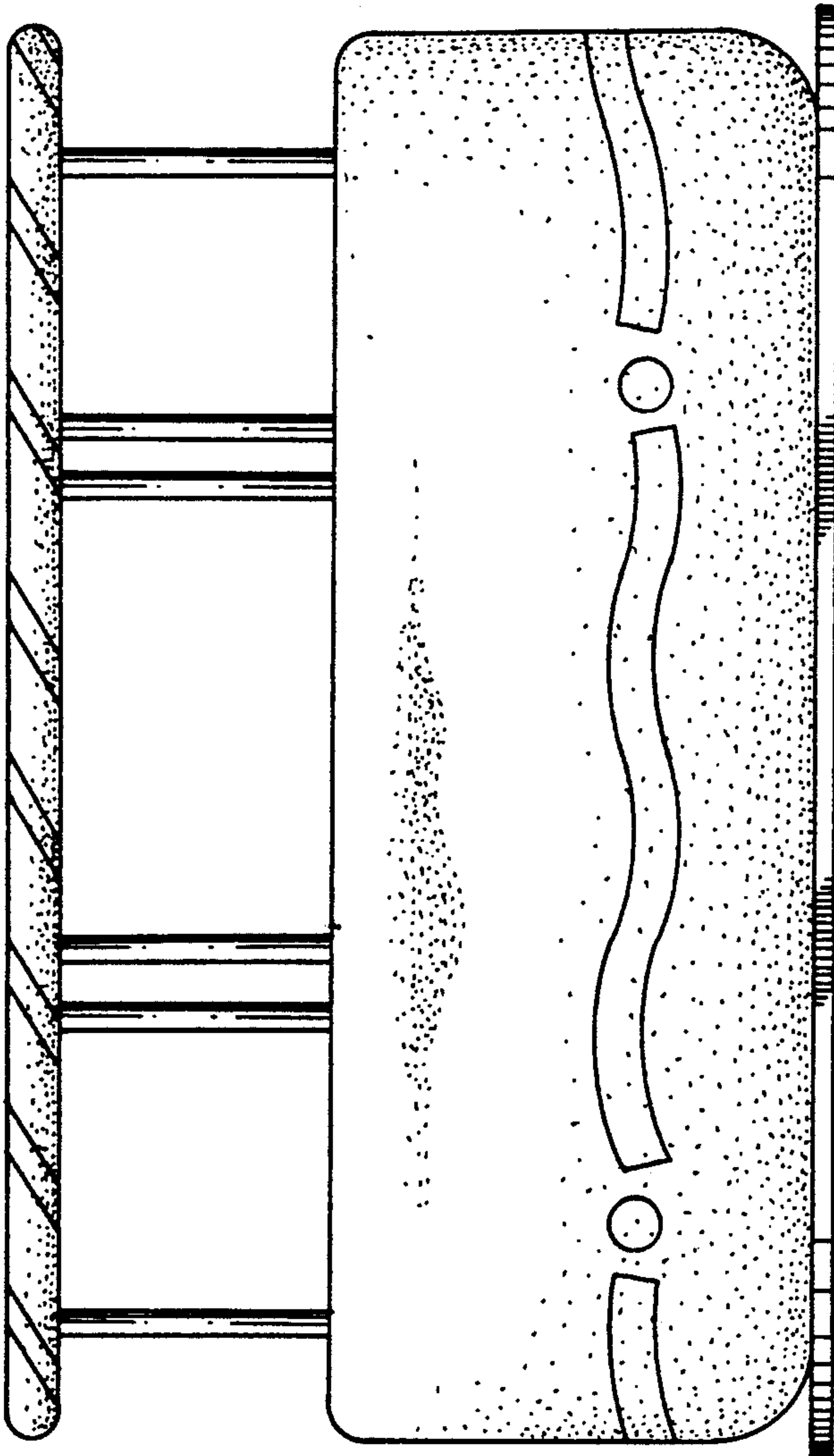


FIG. 3.

FIG. 6.

